

**Attachment to FCC Form 731**

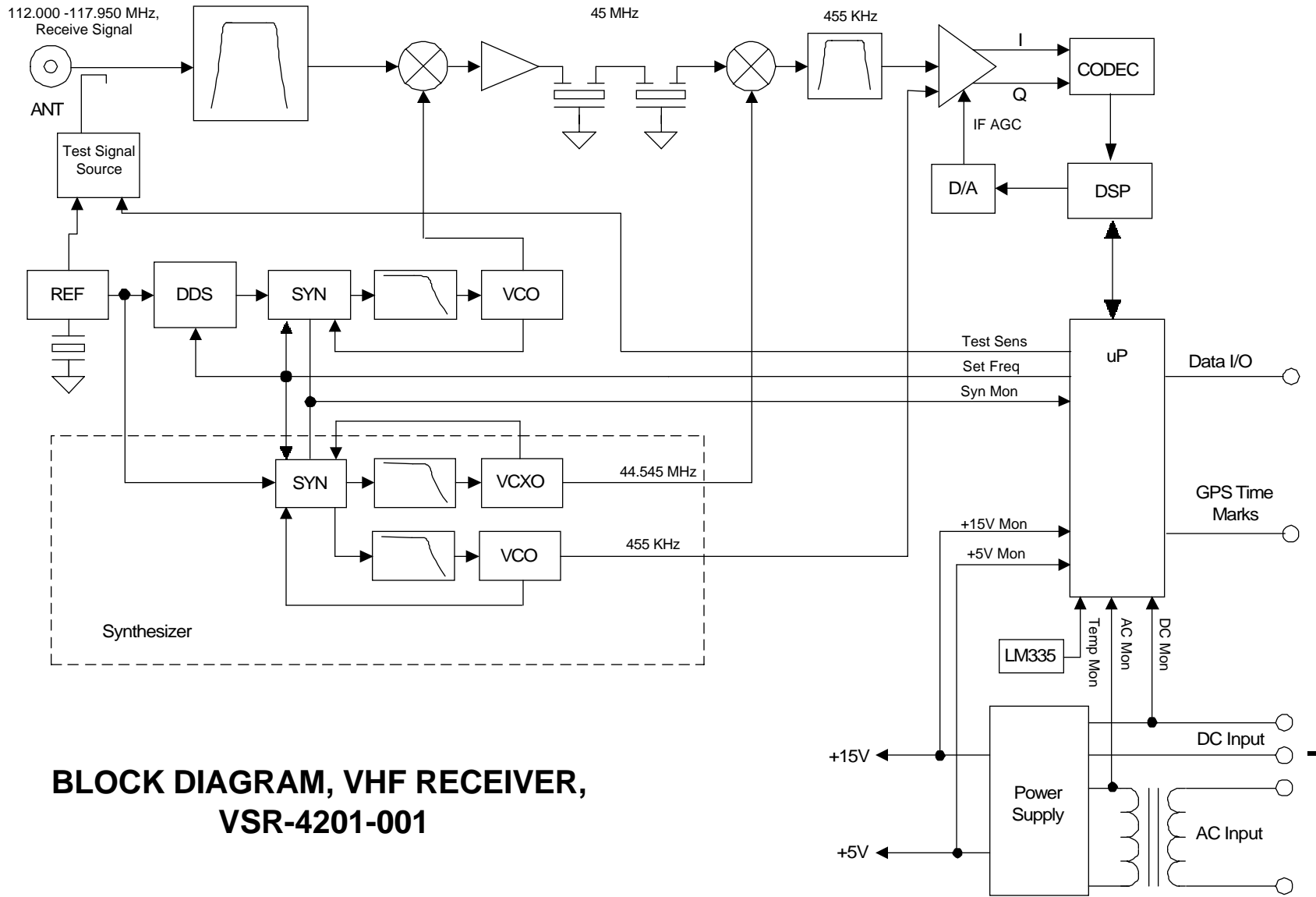
**FCC ID: AQZ-VSR-4201-001**

**Exhibit 4**

**RX Block Diagrams**

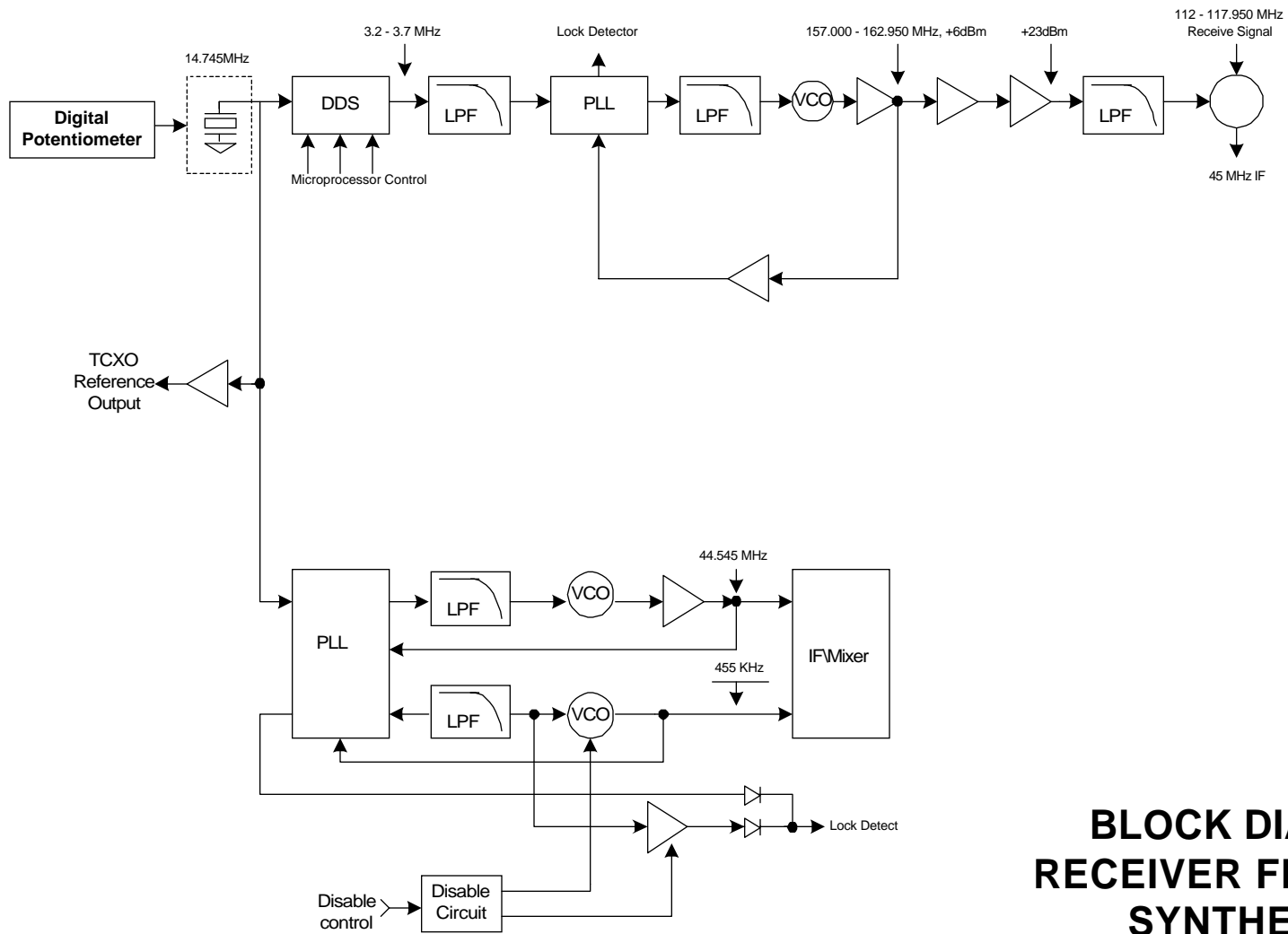
**Paragraph 2.1033(b)5**

Proprietary Information. No part of this publication may be reproduced or transmitted in any form or by any means, electronic or mechanical, including photocopy, recording, or any information storage and retrieval system, without permission in writing by Harris Corporation, RF Communications Division, Rochester, New York, USA



**BLOCK DIAGRAM, VHF RECEIVER,  
VSR-4201-001**

Proprietary Information. No part of this publication may be reproduced or transmitted in any form or by any means, electronic or mechanical, including photocopy, recording, or any information storage and retrieval system, without permission in writing by Harris Corporation, RF Communications Division, Rochester, New York, USA



## BLOCK DIAGRAM, RECEIVER FREQUENCY SYNTHESIZER

Proprietary Information. No part of this publication may be reproduced or transmitted in any form or by any means, electronic or mechanical, including photocopy, recording, or any information storage and retrieval system, without permission in writing by Harris Corporation, RF Communications Division, Rochester, New York, USA