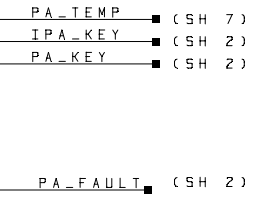
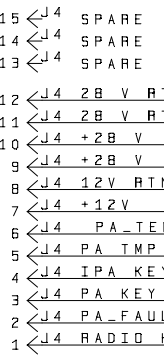
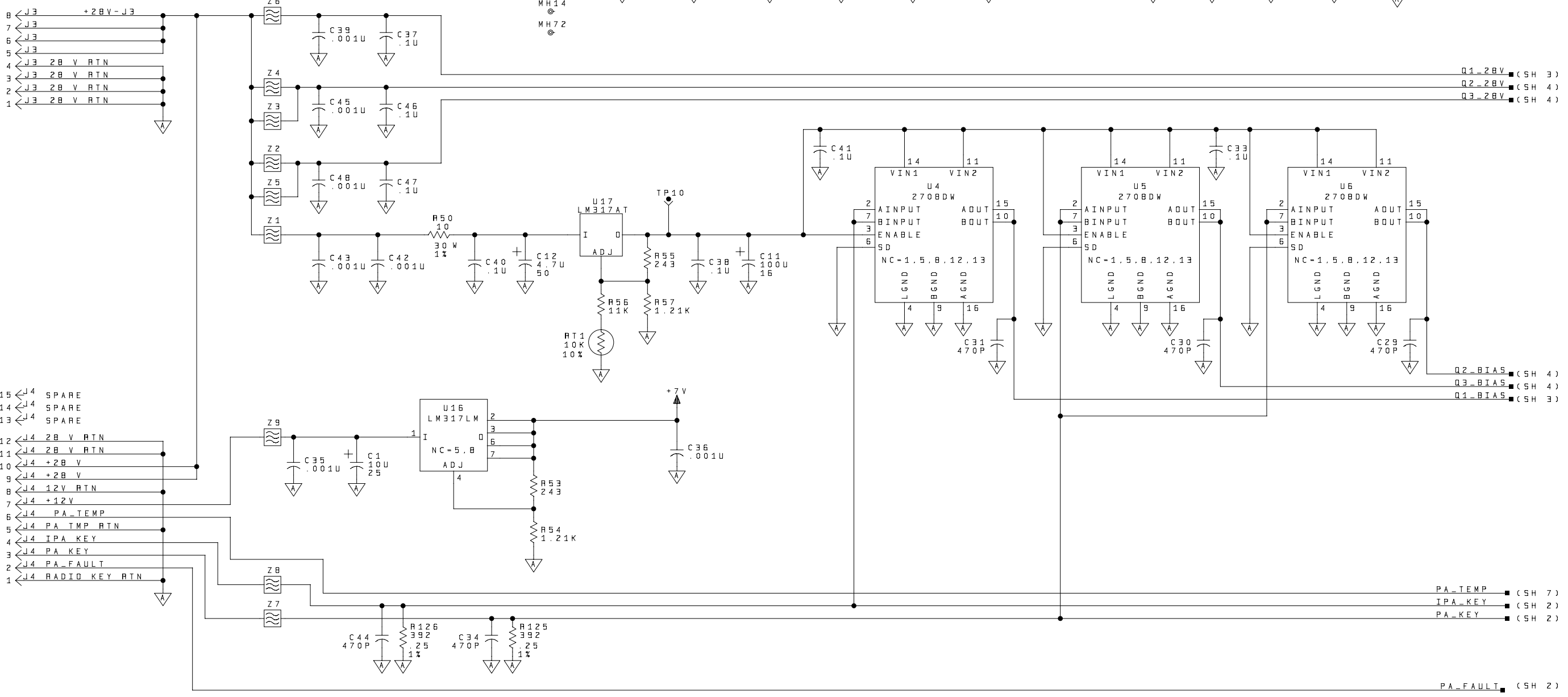
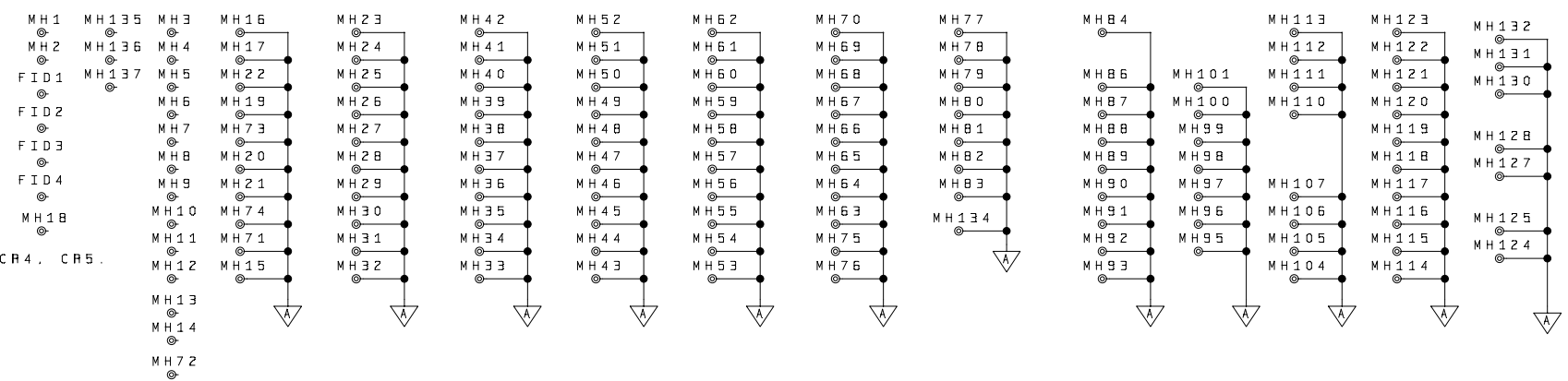


THIS DRAWING HAS BEEN CREATED USING A VIEWLOGIC COMPUTER GRAPHIC SYSTEM. TO INSURE DATABASE INTEGRITY, ALL CHANGES OR REVISIONS MUST BE MADE ON A VIEWLOGIC SYSTEM. THIS IS A WORKVIEW OFFICE DATABASE.

REVISIONS				
ZONE	REV	DESCRIPTION	DATE	APPROVED
B	REV PER DCN	9912035 SMC	99-03-13	RP

- NOTE: UNLESS OTHERWISE SPECIFIED:
- PARTIAL REFERENCE DESIGNATIONS ARE SHOWN FOR A COMPLETE DESIGNATION. PREFIX WITH UNIT NO. AND/OR ASSEMBLY NO. DESIGNATION.
 - ALL RESISTORS ARE IN OHMS AND WATTS.
 - ALL CAPACITOR VALUES ARE IN FARADS.
 - VENDOR PART NO. CALLOUTS ARE FOR REFERENCE ONLY. COMPONENTS ARE SUPPLIED PER PART NO. IN PARTS LIST.
 - SLASH (/) DENOTES ACTIVE LOW. DASH (-) INDICATES MULTI-FUNCTION SIGNAL.
 - NET CROSS REFERENCING BETWEEN SHEETS IS IN THE FORM OF (SHEET/ZONE).
 - THE FOLLOWING PARTS ARE NOT INSTALLED: C268, C269, C270, CR4, CR5.
 - Q1-Q9, R4-R20, R50-R52, AND U17-U27 ARE INSTALLED AT NEXT LEVEL (1200B-1600-01) ASSEMBLY.



PROPRIETARY DATA

THE DATA DISCLOSED IN THIS DOCUMENT WAS ORIGINATED BY HARRIS COMP. RF COMMUNICATIONS, AND IS TO BE UTILIZED ONLY FOR THE SPECIFIC PURPOSES FOR WHICH IT WAS SUPPLIED. IT IS NOT TO BE REPRODUCED WITHOUT THE WRITTEN CONSENT OF RF COMMUNICATIONS.

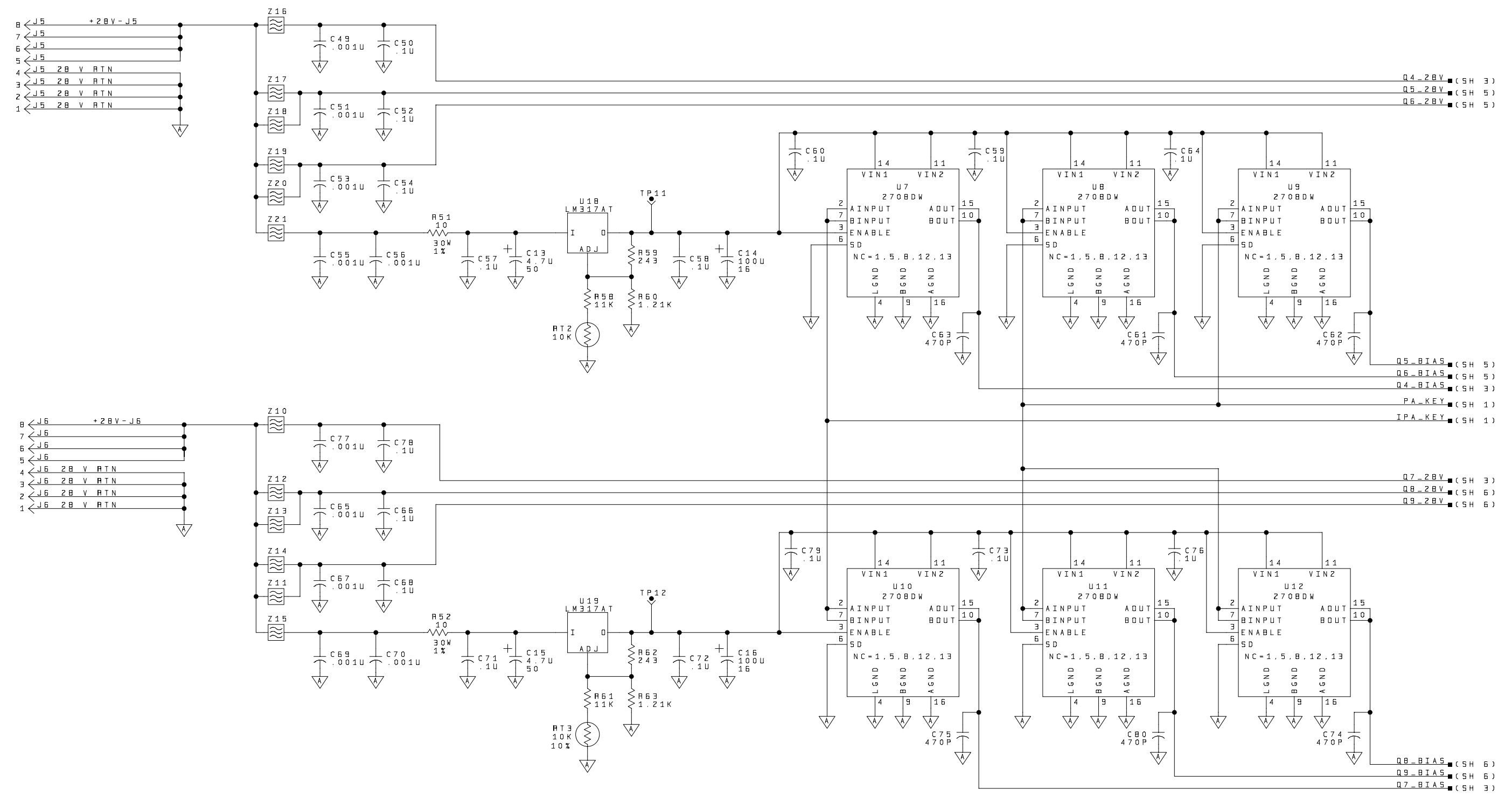
QTY	ITEM NO.	CAGE CODE	SPECIFICATION	PART NUMBER	DESCRIPTION
PARTS LIST					
DIMENSIONS IN INCHES		TOLERANCES		DW N. KERNAN XX-XX-XX	
FRACTIONS 1/64		ANGLES 1°		CHK H. HANSEN 7-23-99	
DEC XX ±.02		XXX ±.005		ENGR. MANICONE 7-23-99	
MFG SPEC		APPR. SCHELL 7-23-99		TITLE	
CONTR NO.		RLE DATE		1200B-1650-01 LAAS	
DSCN ACTIVITY		APPROVAL		SIZE	
APPROVED		APPROVED		H 14304	
APPLICATION		SCALE		DRAWING NO.	
		NONE		1200B-1651	
		WEIGHT		REV	
				B	
				SHEET 1 OF 7	

1200B-1651

1 B

A

REVISIONS				
ZONE	REV	DESCRIPTION	DATE	APPROVED



Q4_28V (SH 3)
 Q5_28V (SH 5)
 Q6_28V (SH 5)

Q5_BIAS (SH 5)
 Q6_BIAS (SH 5)
 Q4_BIAS (SH 3)
 PA_KEY (SH 1)
 IPA_KEY (SH 1)

Q7_28V (SH 3)
 Q8_28V (SH 6)
 Q9_28V (SH 6)

Q8_BIAS (SH 6)
 Q9_BIAS (SH 6)
 Q7_BIAS (SH 3)

SIMILAR TO:

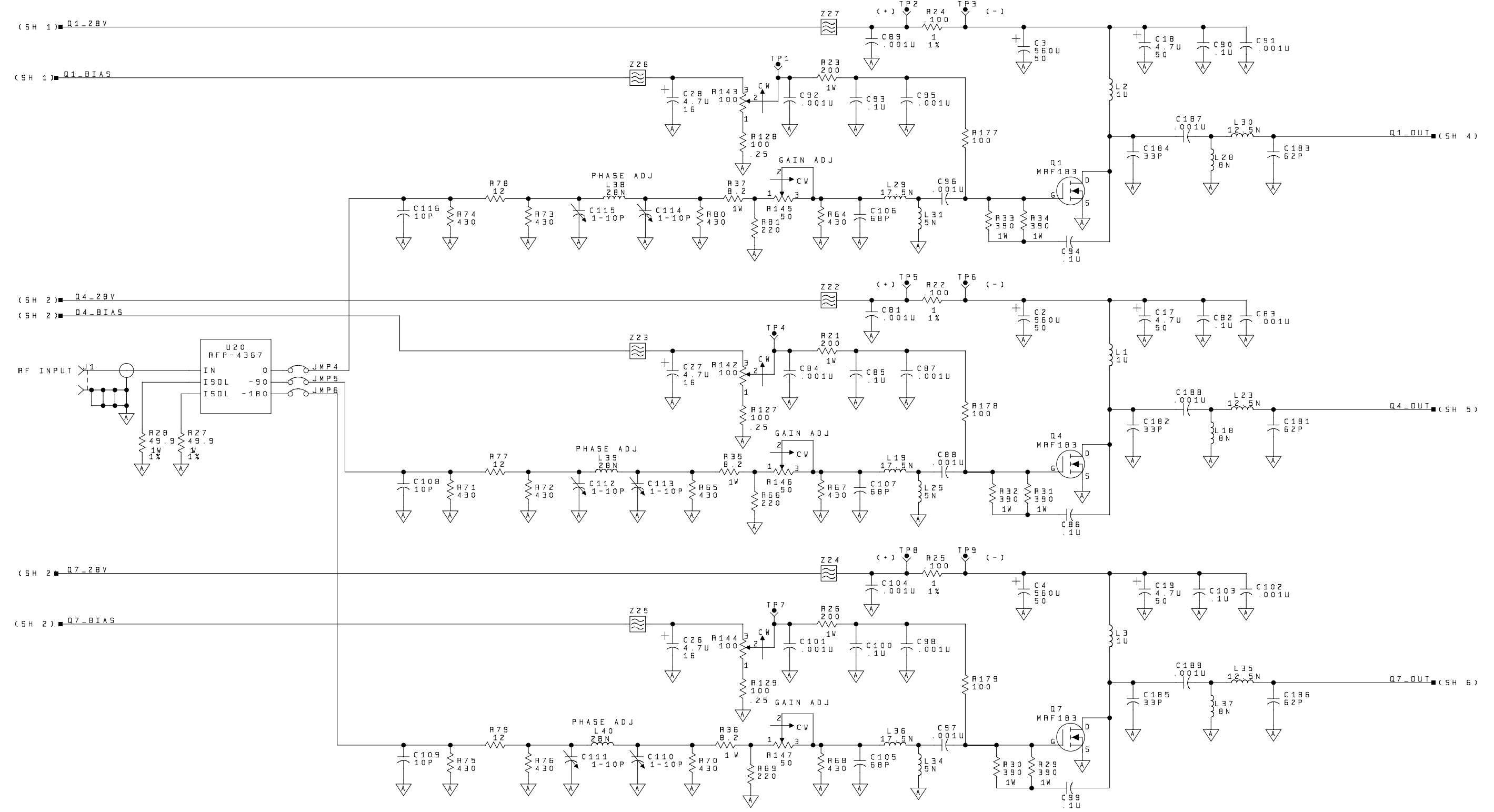
PROPRIETARY DATA

THE DATA DISCLOSED IN THIS DOCUMENT WAS ORIGINATED BY HARRIS CORP., RF COMMUNICATIONS, AND IS TO BE UTILIZED ONLY FOR THE SPECIFIC PURPOSES FOR WHICH IT WAS SUPPLIED. IT IS NOT TO BE REPRODUCED WITHOUT THE WRITTEN CONSENT OF RF COMMUNICATIONS.

SIZE	CAGE CODE	DRAWING NO.	REV
H	14304	12008-1651	B
SCALE	WEIGHT	SHEET	2

12008-1651
 2 B

REVISIONS				
ZONE	REV	DESCRIPTION	DATE	APPROVED



SIMILAR TO:

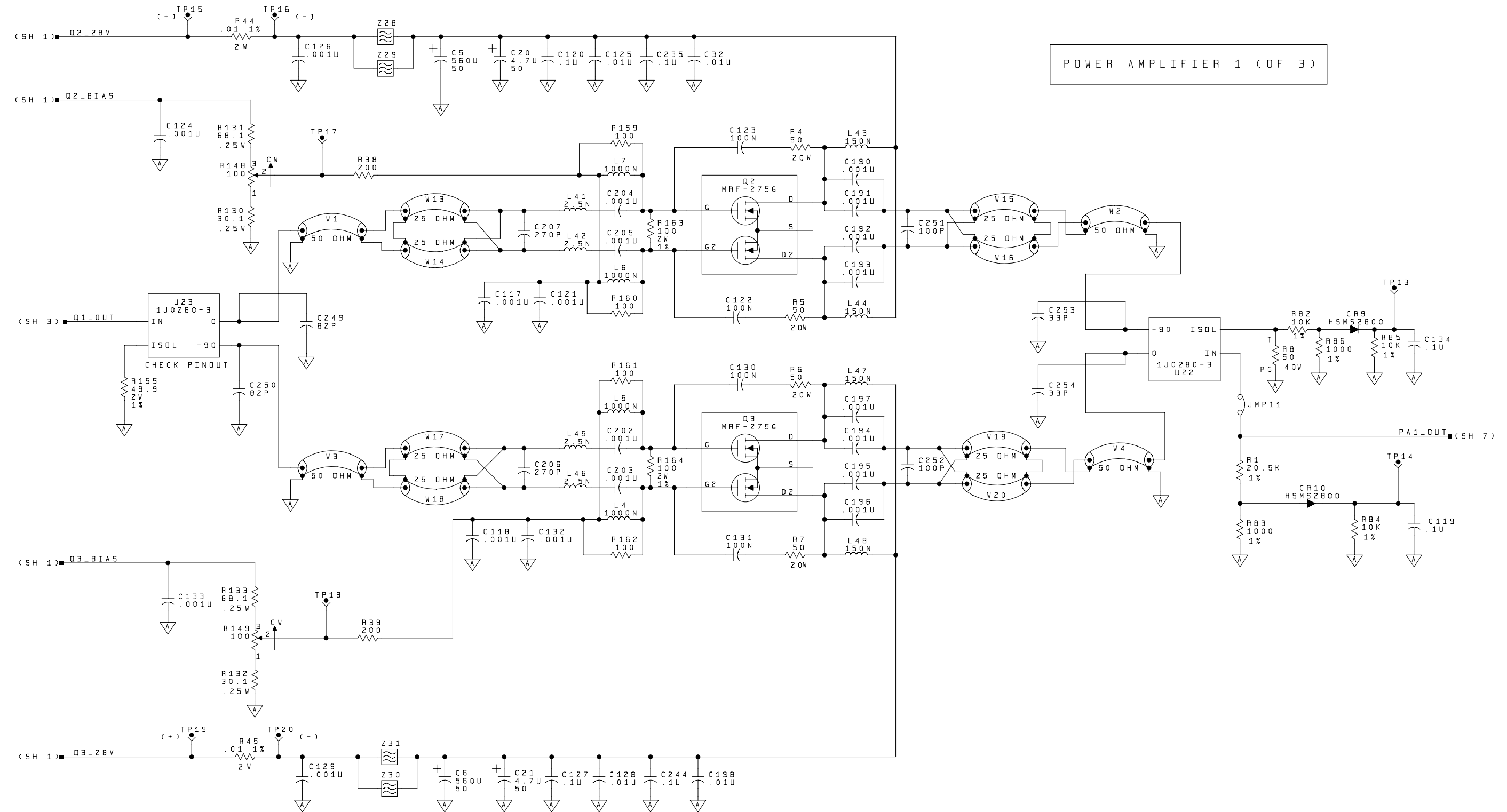
PROPRIETARY DATA

THE DATA DISCLOSED IN THIS DOCUMENT WAS ORIGINATED BY HARRIS CORP., RF COMMUNICATIONS, AND IS TO BE UTILIZED ONLY FOR THE SPECIFIC PURPOSES FOR WHICH IT WAS SUPPLIED. IT IS NOT TO BE REPRODUCED WITHOUT THE WRITTEN CONSENT OF RF COMMUNICATIONS.

SIZE	CAGE CODE	DRAWING NO.	REV
H	14304	12008-1651	B
SCALE	WEIGHT	SHEET	3

REVISIONS				
ZONE	REV	DESCRIPTION	DATE	APPROVED

POWER AMPLIFIER 1 (OF 3)



SIMILAR TO:

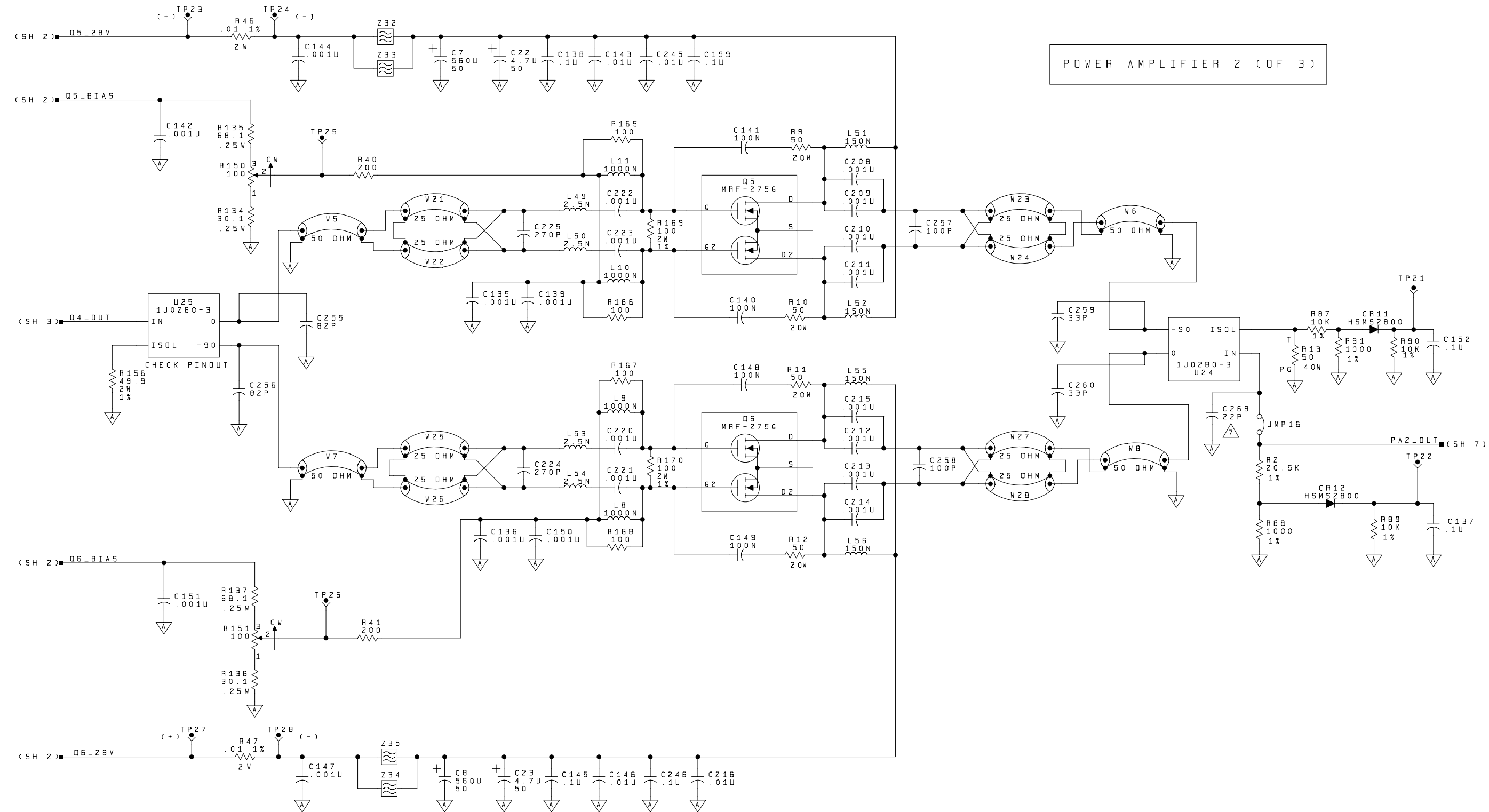
PROPRIETARY DATA

THE DATA DISCLOSED IN THIS DOCUMENT WAS ORIGINATED BY HARRIS CORP., RF COMMUNICATIONS, AND IS TO BE UTILIZED ONLY FOR THE SPECIFIC PURPOSES FOR WHICH IT WAS SUPPLIED. IT IS NOT TO BE REPRODUCED WITHOUT THE WRITTEN CONSENT OF RF COMMUNICATIONS.

SIZE	CAGE CODE	DRAWING NO.	REV
H	14304	12008-1651	B
SCALE	WEIGHT	SHEET	4

REVISIONS				
ZONE	REV	DESCRIPTION	DATE	APPROVED

POWER AMPLIFIER 2 (OF 3)



SIMILAR TO:

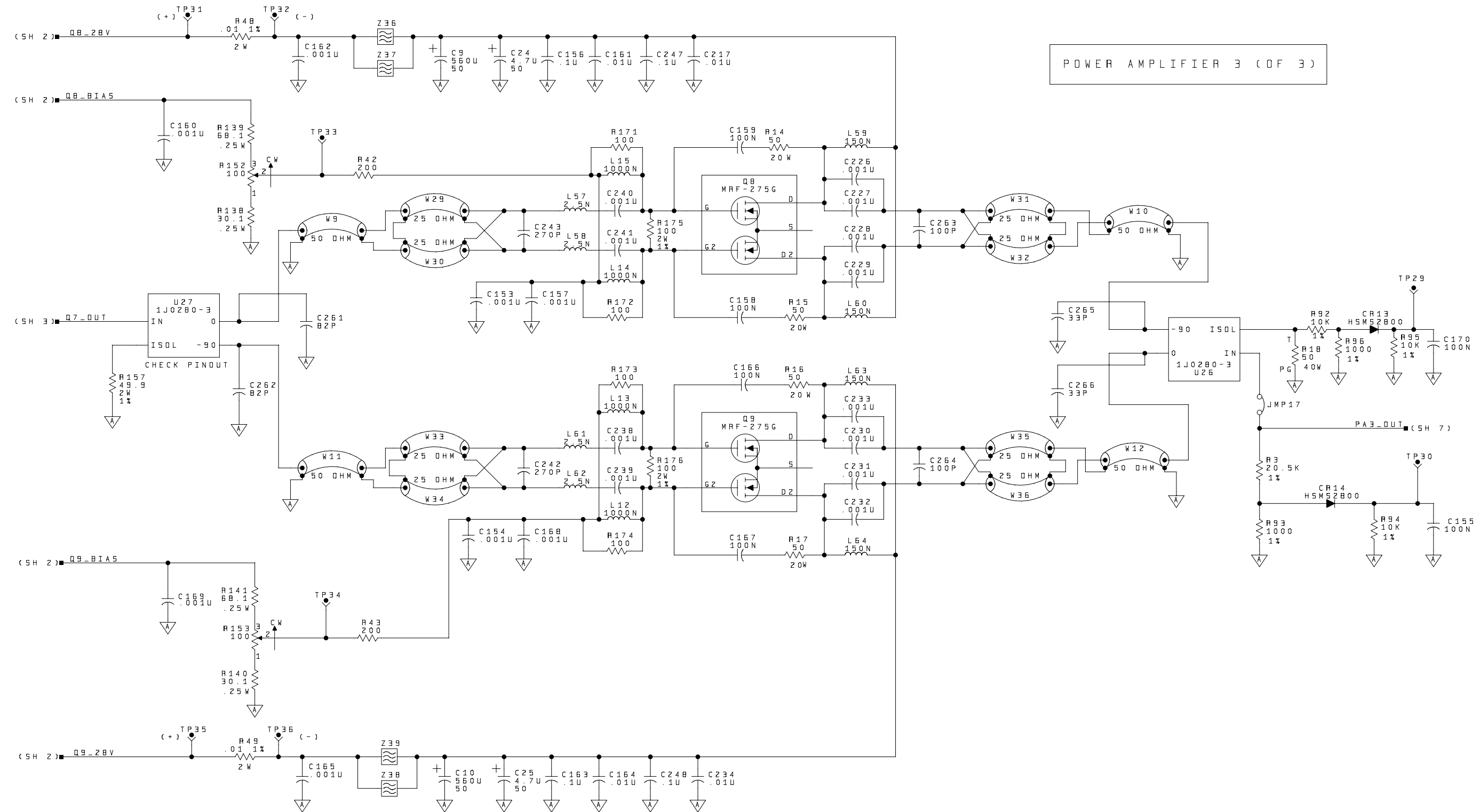
PROPRIETARY DATA

THE DATA DISCLOSED IN THIS DOCUMENT WAS ORIGINATED BY HARRIS CORP., RF COMMUNICATIONS, AND IS TO BE UTILIZED ONLY FOR THE SPECIFIC PURPOSES FOR WHICH IT WAS SUPPLIED. IT IS NOT TO BE REPRODUCED WITHOUT THE WRITTEN CONSENT OF RF COMMUNICATIONS.

SIZE	CAGE CODE	DRAWING NO.	REV
H	14304	12008-1651	B
SCALE	WEIGHT	SHEET	5

12008-1651 5 B

POWER AMPLIFIER 3 (OF 3)



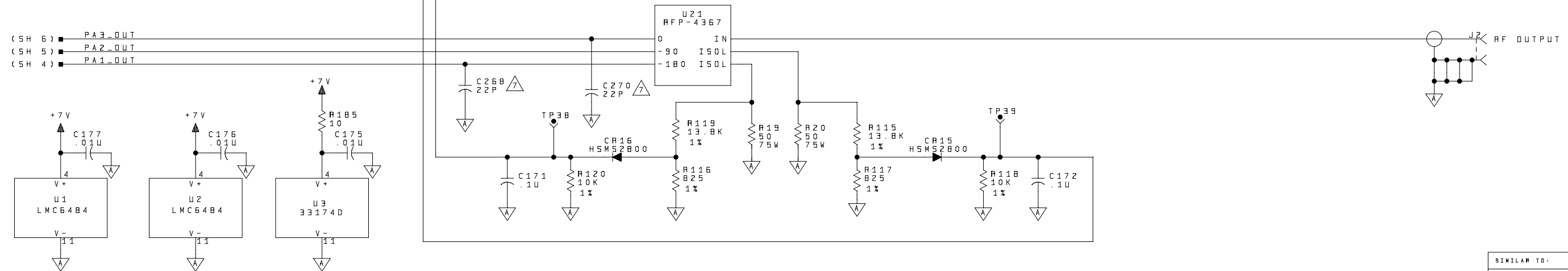
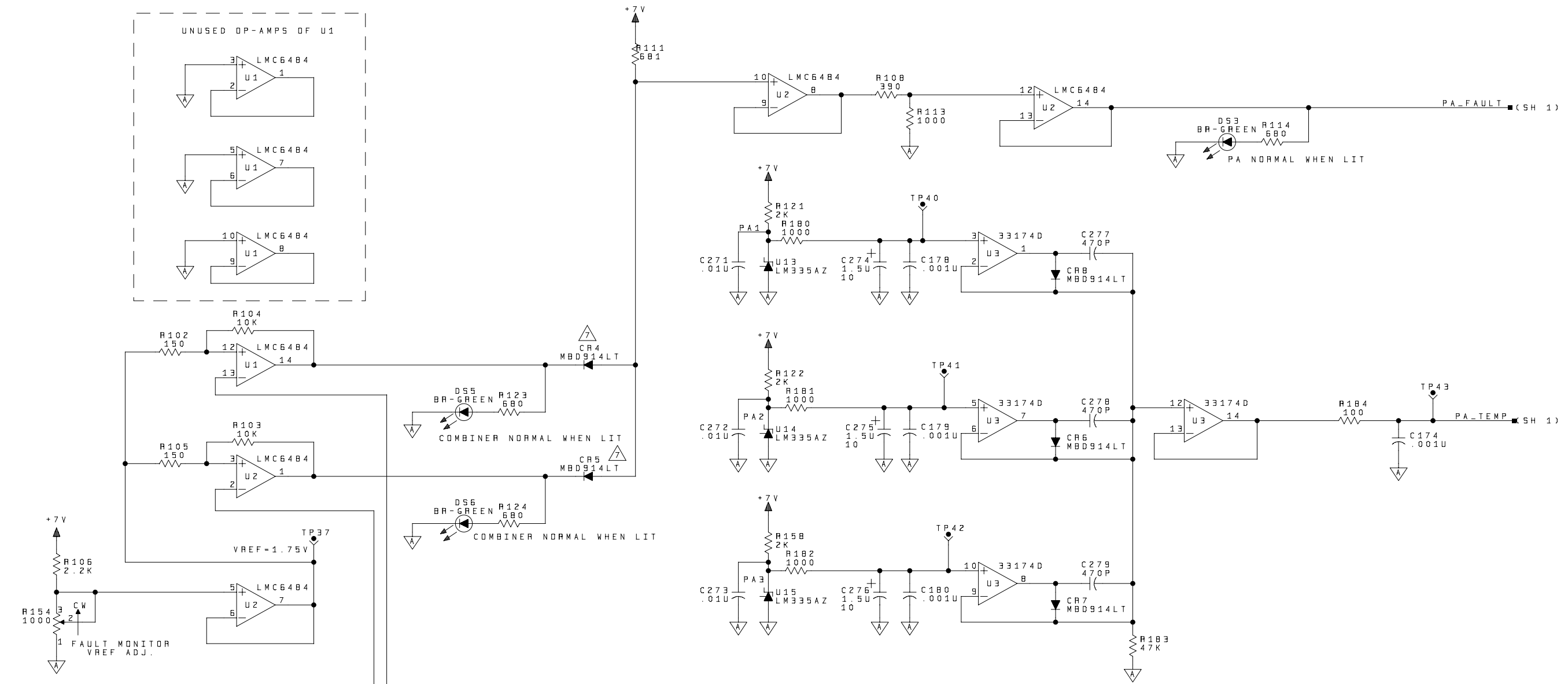
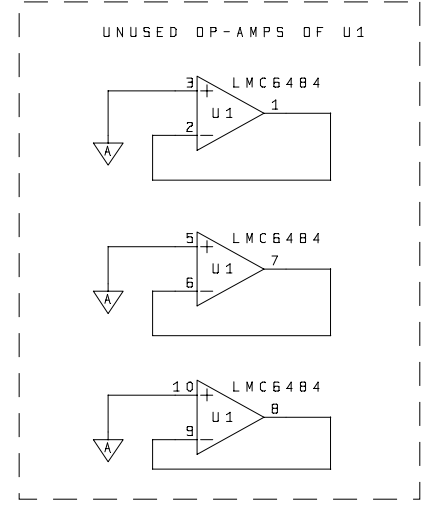
SIMILAR TO:

PROPRIETARY DATA

THE DATA DISCLOSED IN THIS DOCUMENT WAS ORIGINATED BY HARRIS CORP., RF COMMUNICATIONS, AND IS TO BE UTILIZED ONLY FOR THE SPECIFIC PURPOSES FOR WHICH IT WAS SUPPLIED. IT IS NOT TO BE REPRODUCED WITHOUT THE WRITTEN CONSENT OF RF COMMUNICATIONS.

SIZE	CAGE CODE	DRAWING NO.	REV
H	14304	12008-1651	B
SCALE	WEIGHT	SHEET	6

12008-1651
 6 B



- (SH 6) PA3_OUT
- (SH 5) PA2_OUT
- (SH 4) PA1_OUT

SIMILAR TO:

PROPRIETARY DATA

THE DATA DISCLOSED IN THIS DOCUMENT WAS ORIGINATED BY HARRIS CORP., RF COMMUNICATIONS, AND IS TO BE UTILIZED ONLY FOR THE SPECIFIC PURPOSES FOR WHICH IT WAS SUPPLIED. IT IS NOT TO BE REPRODUCED WITHOUT THE WRITTEN CONSENT OF RF COMMUNICATIONS.

SIZE	CAGE CODE	DRAWING NO.	REV
H	14304	12008-1651	B
SCALE	WEIGHT	SHEET	7