

Attachment to FCC Form 731

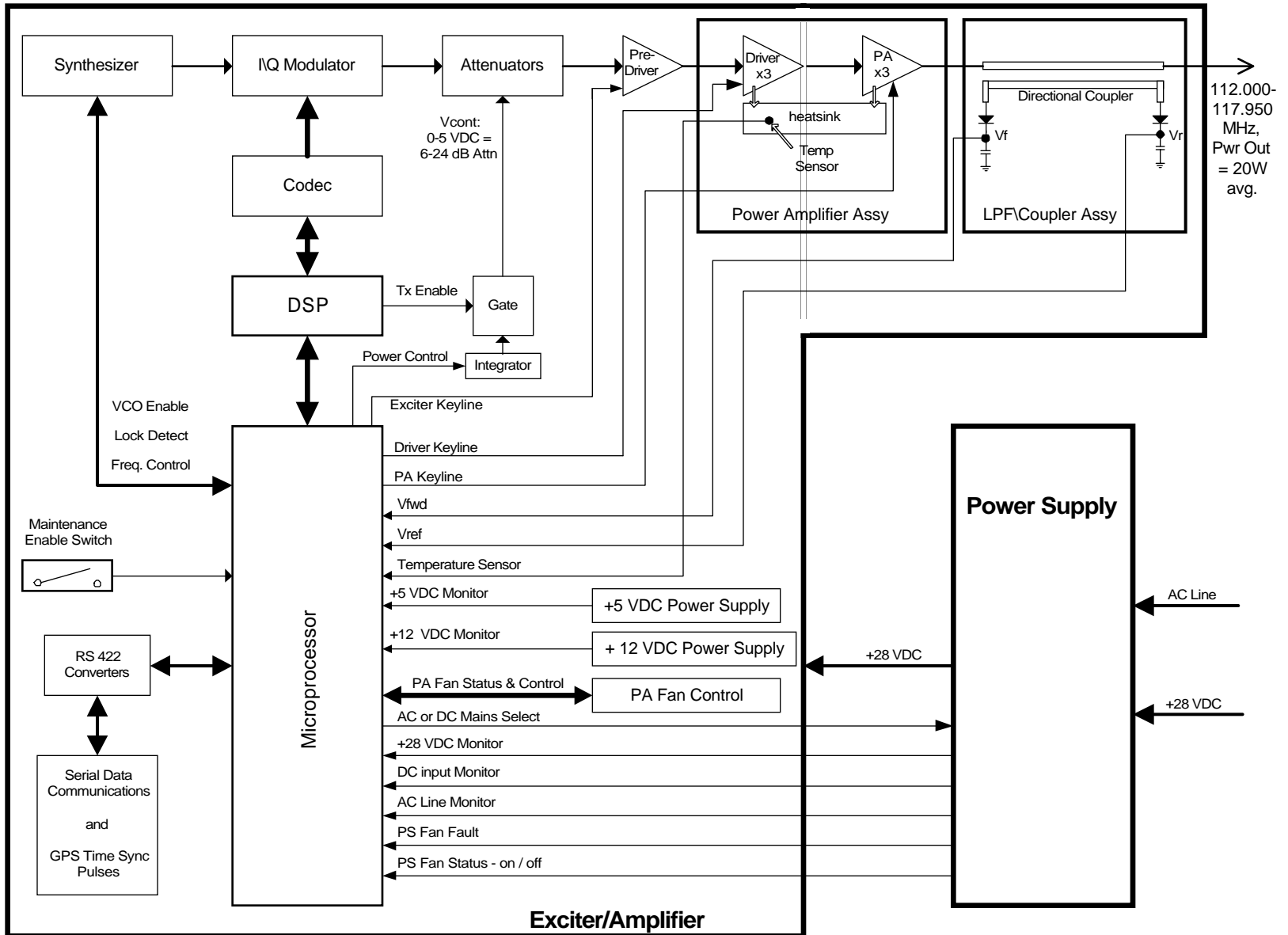
FCC ID: AQZ-VSR-4141-001

Exhibit 4

TX Block Diagrams

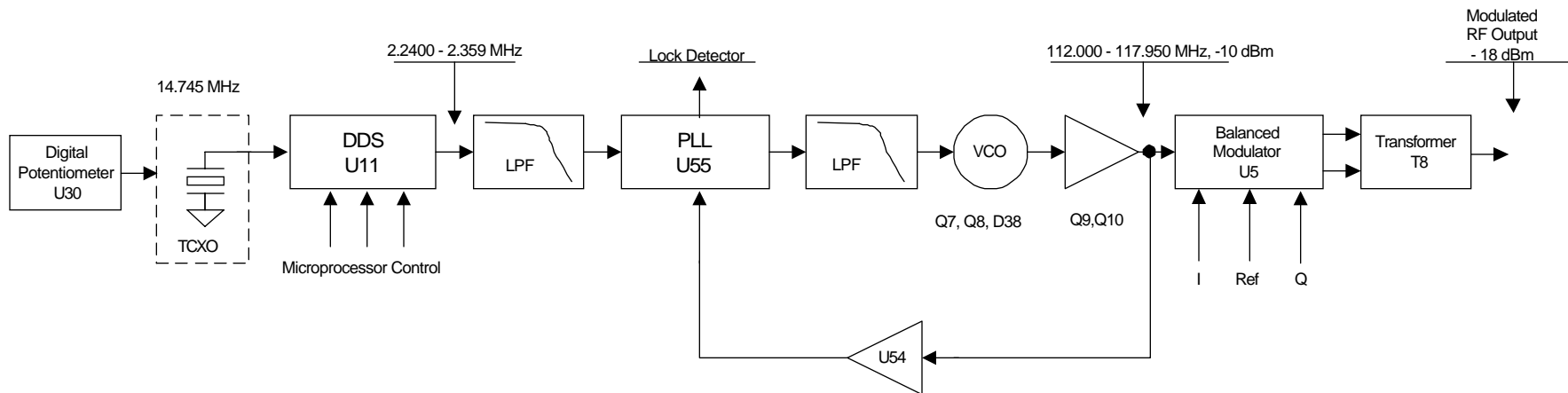
Part of Paragraph 2.1033(c)10

Proprietary Information. No part of this publication may be reproduced or transmitted in any form or by any means, electronic or mechanical, including photocopy, recording, or any information storage and retrieval system, without permission in writing by Harris Corporation, RF Communications Division, Rochester, New York, USA



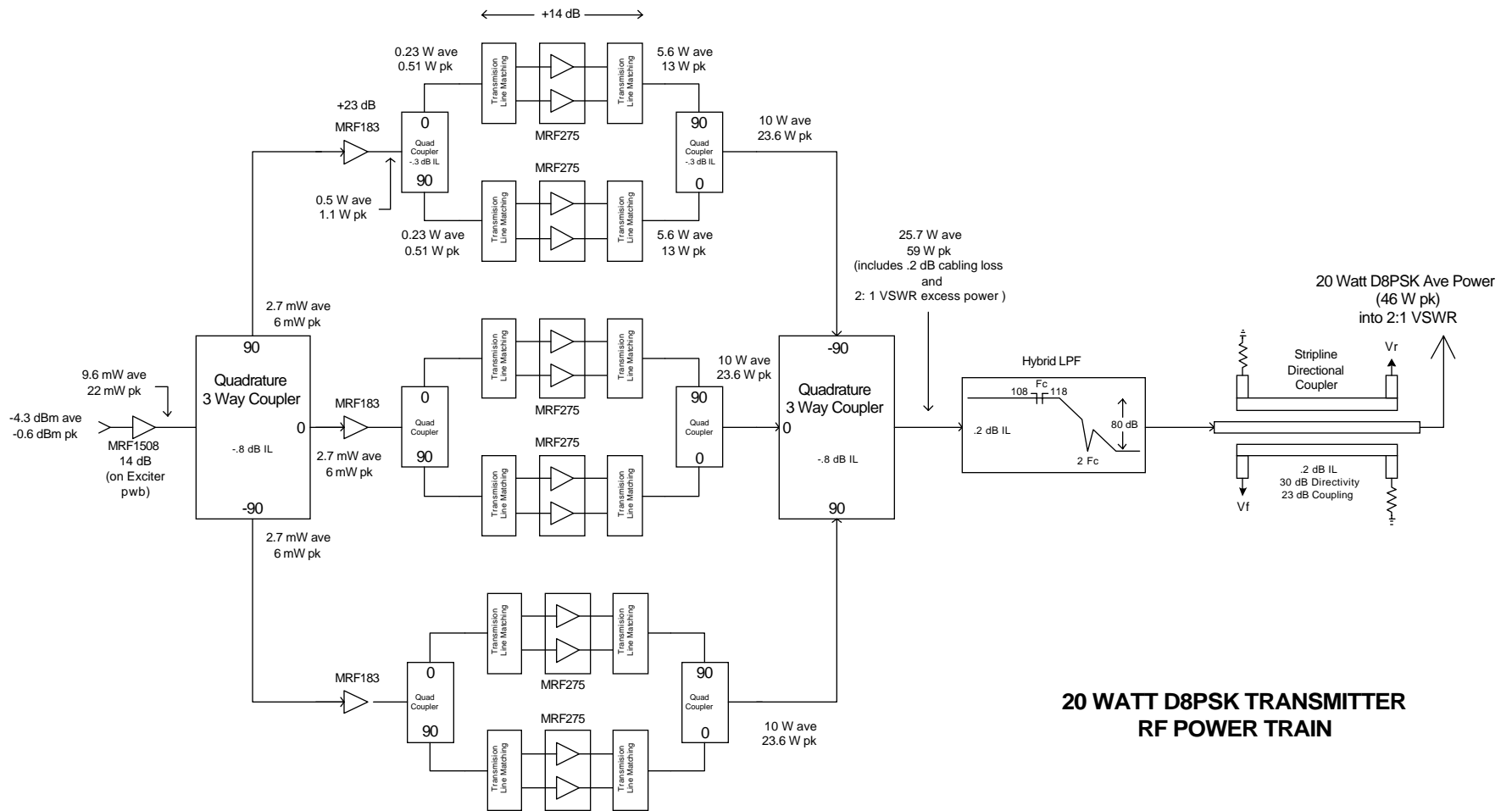
BLOCK DIAGRAM, VHF TRANSMITTER, VSR-4141-001

Proprietary Information. No part of this publication may be reproduced or transmitted in any form or by any means, electronic or mechanical, including photocopy, recording, or any information storage and retrieval system, without permission in writing by Harris Corporation, RF Communications Division, Rochester, New York, USA



BLOCK DIAGRAM, VHF TRANSMITTER, SYNTHESIZER

Proprietary Information. No part of this publication may be reproduced or transmitted in any form or by any means, electronic or mechanical, including photocopy, recording, or any information storage and retrieval system, without permission in writing by Harris Corporation, RF Communications Division, Rochester, New York, USA



Proprietary Information. No part of this publication may be reproduced or transmitted in any form or by any means, electronic or mechanical, including photocopy, recording, or any information storage and retrieval system, without permission in writing by Harris Corporation, RF Communications Division, Rochester, New York, USA