

3-20-00

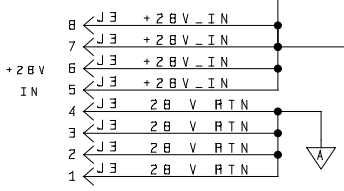
THIS DRAWING HAS BEEN CREATED USING A VIEWLOGIC COMPUTER GRAPHIC SYSTEM. TO INSURE DATABASE INTEGRITY, ALL CHANGES OR REVISIONS MUST BE MADE ON A VIEWLOGIC SYSTEM. THIS IS A WORKVIEW OFFICE DATABASE.

REVISIONS			
ZONE	REV	DESCRIPTION	DATE
1	PRELIMINARY		

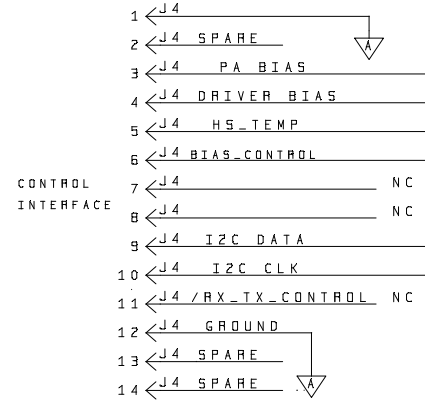
- NOTE: UNLESS OTHERWISE SPECIFIED:
- PARTIAL REFERENCE DESIGNATIONS ARE SHOWN FOR A COMPLETE DESIGNATION, PREFIX WITH UNIT NO. AND/OR ASSEMBLY NO. DESIGNATION.
  - ALL RESISTORS ARE IN OHMS AND WATTS.
  - ALL CAPACITOR VALUES ARE IN FARADS.
  - VENDOR PART NO. CALLOUTS ARE FOR REFERENCE ONLY. COMPONENTS ARE SUPPLIED PER PART NO. IN PARTS LIST.
  - SLASH (/) DENOTES ACTIVE LOW. DASH (-) INDICATES MULTI-FUNCTION SIGNAL.
  - NET CROSS REFERENCING BETWEEN SHEETS IS IN THE FORM OF (SHEET/ZONE).

THE FOLLOWING PARTS ARE NOT INSTALLED:

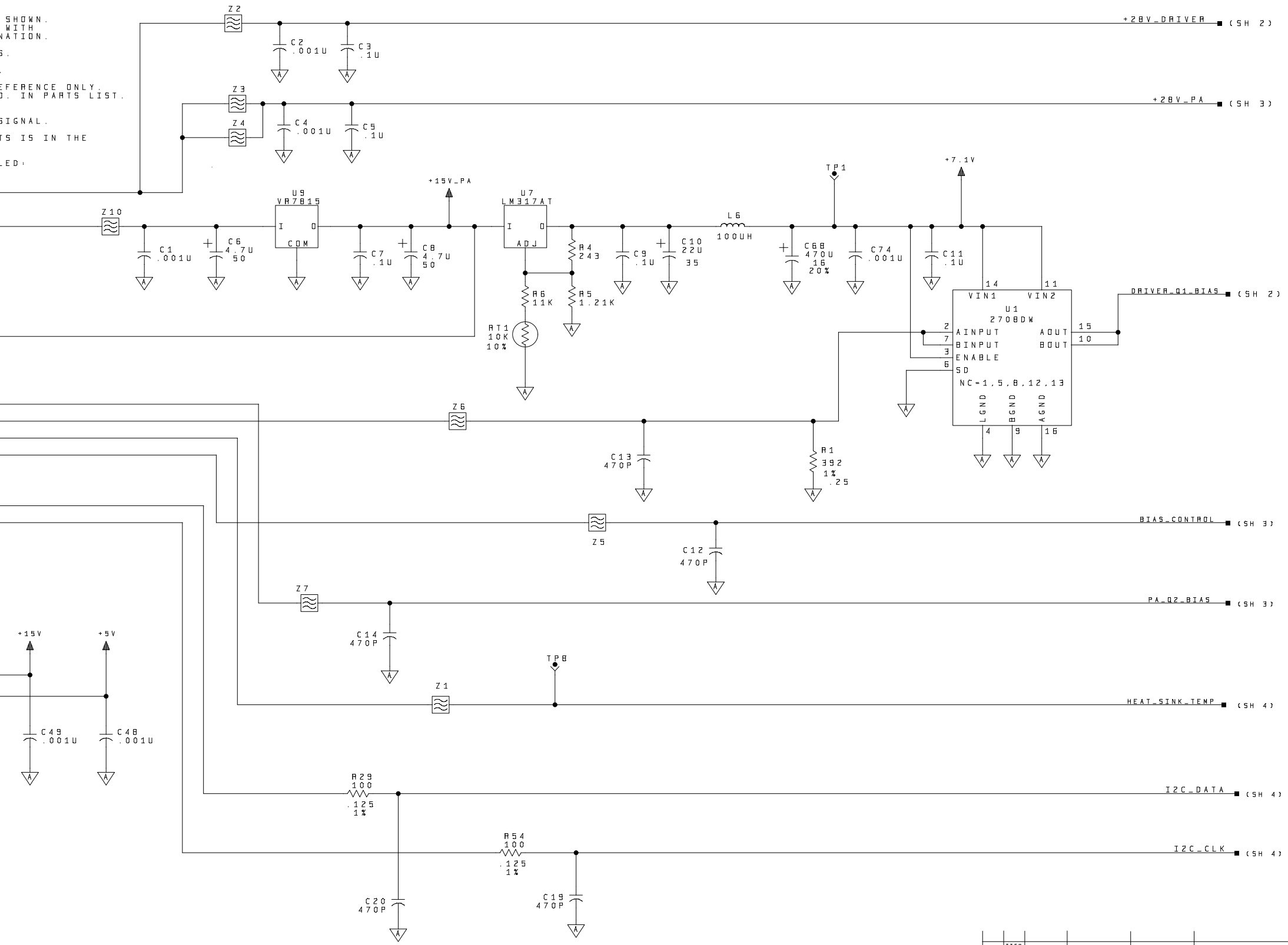
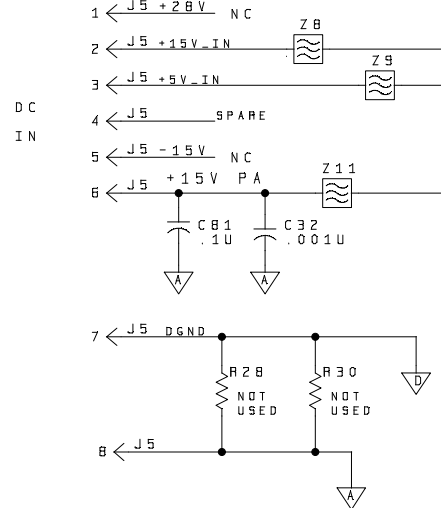
J20-0023-00B



J25-0044-014



J46-0208-00B



**PROPRIETARY DATA**

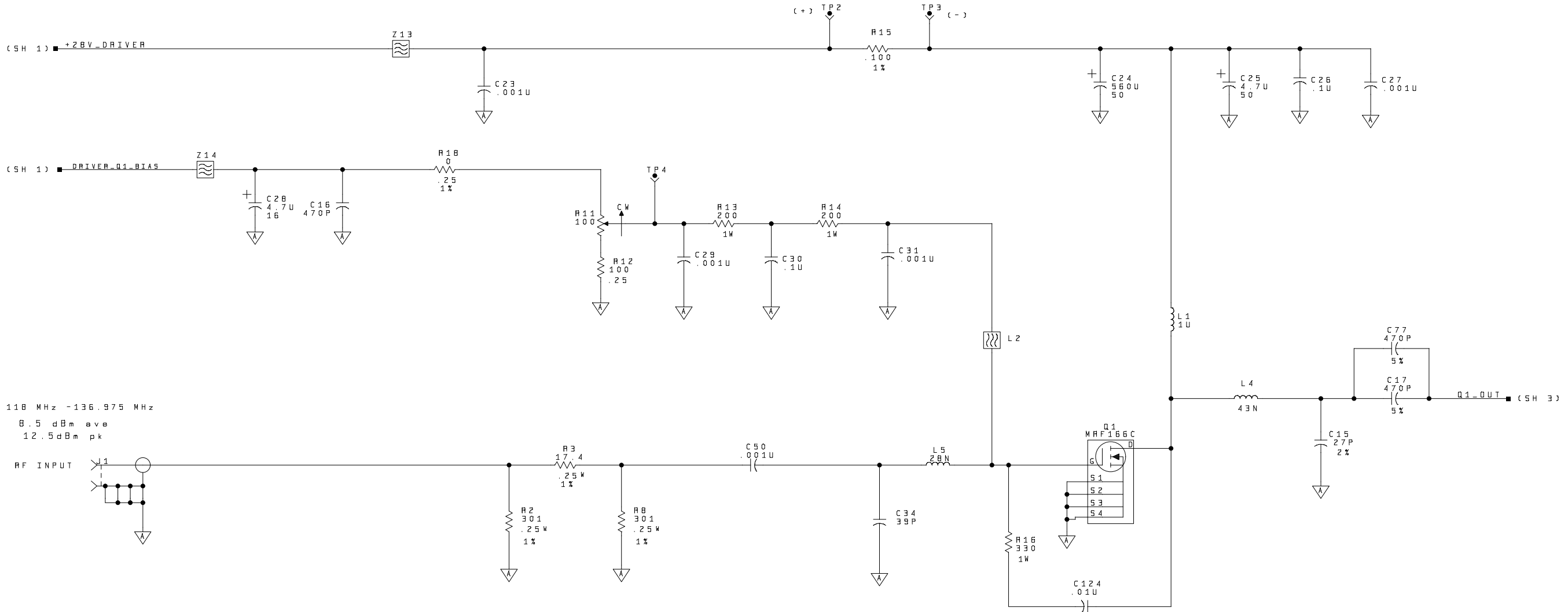
THE DATA DISCLOSED IN THIS DOCUMENT WAS ORIGINATED BY HARRIS CORP., RF COMMUNICATIONS, AND IS TO BE UTILIZED ONLY FOR THE SPECIFIC PURPOSES FOR WHICH IT WAS SUPPLIED. IT IS NOT TO BE REPRODUCED WITHOUT THE WRITTEN CONSENT OF RF COMMUNICATIONS.

QTY	ITEM NO.	CAGE CODE	SPECIFICATION	PART NUMBER	DESCRIPTION
PARTS LIST					
DIMENSIONS IN INCHES					
TOLERANCES					
FRACTIONS 1/64					
ANGLES 1/2°					
DEC XX L.D2 XXX ±.005					
WFG SPEC					
NATL					
CONTR NO.					
DATE					
DR XXXXXXXX					
XX-XX-XX					
ENGR					
APVD					
DSEN ACTIVITY					
APPROVAL					
APPROVED					
SIZE					
CAGE CODE					
DRAWING NO.					
REV					
H 14304					
12007-4101					
SCALE/WEIGHT					
SHEET 1 OF 4					

DSN NO. 12007-4101 1 3

A

REVISIONS				
ZONE	REV	DESCRIPTION	DATE	APPROVED



118 MHz - 136.975 MHz  
 8.5 dBm ave  
 12.5 dBm pk

RF INPUT

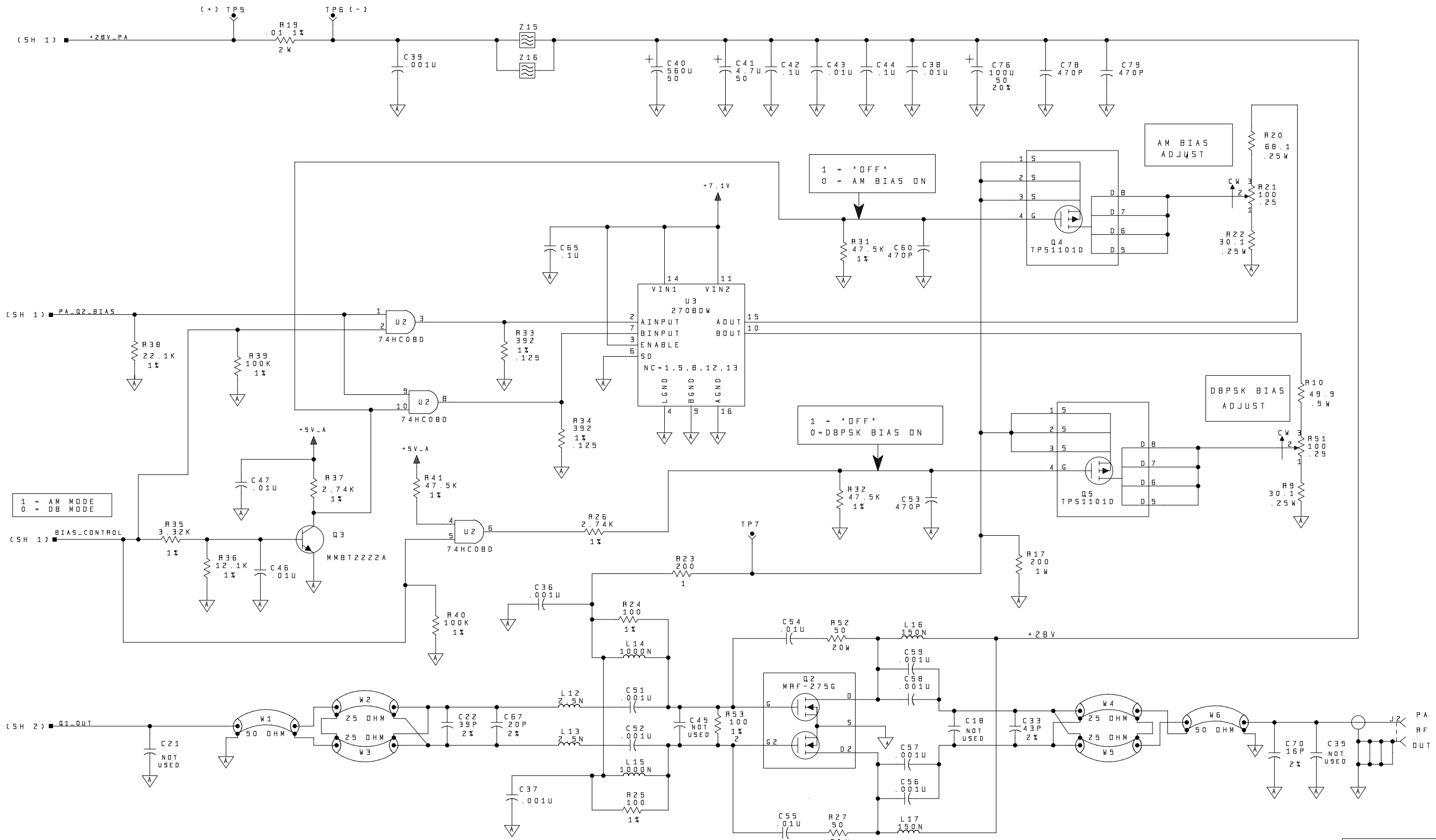
(SH 1) +2BV\_DRIVER

(SH 1) DRIVER\_Q1\_BIAS

SIMILAR TO:				
PROPRIETARY DATA THE DATA DISCLOSED IN THIS DOCUMENT WAS ORIGINATED BY HARRIS CORP., RF COMMUNICATIONS, AND IS TO BE UTILIZED ONLY FOR THE SPECIFIC PURPOSES FOR WHICH IT WAS SUPPLIED. IT IS NOT TO BE REPRODUCED WITHOUT THE WRITTEN CONSENT OF RF COMMUNICATIONS.				
SIZE	CAGE CODE	DRAWING NO.	REV	
H	14304	12007-4101	3	
SCALE	WEIGHT	SHEET	2	

DRG NO. 12007-4101  
 SHEET 2 OF 3

REVISIONS				
ZONE	REV	DESCRIPTION	DATE	APPROVED



1 - AM MODE  
0 - DB MODE

1 - 'OFF'  
0 - AM BIAS ON

1 - 'OFF'  
0 - DBPSK BIAS ON

SIMILAR TO:

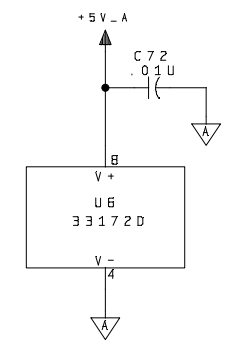
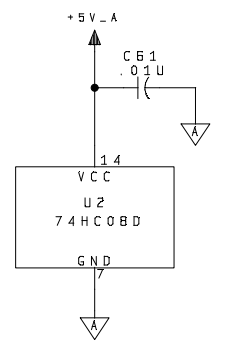
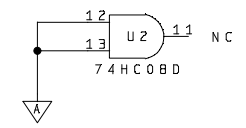
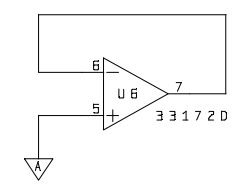
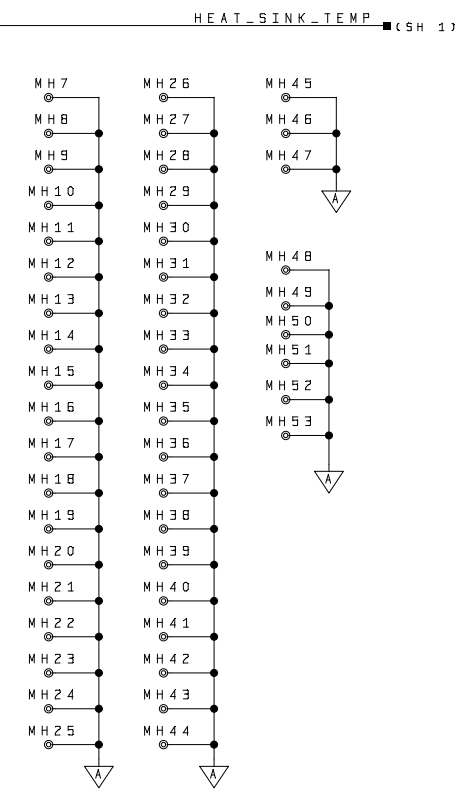
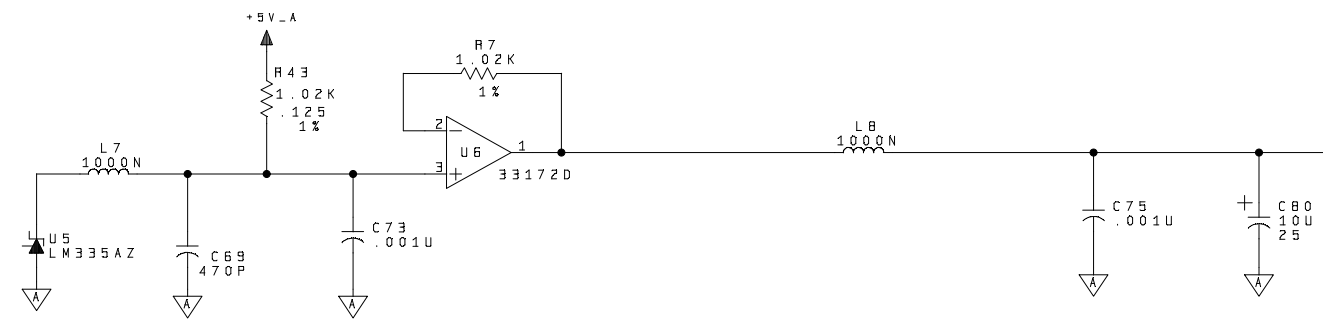
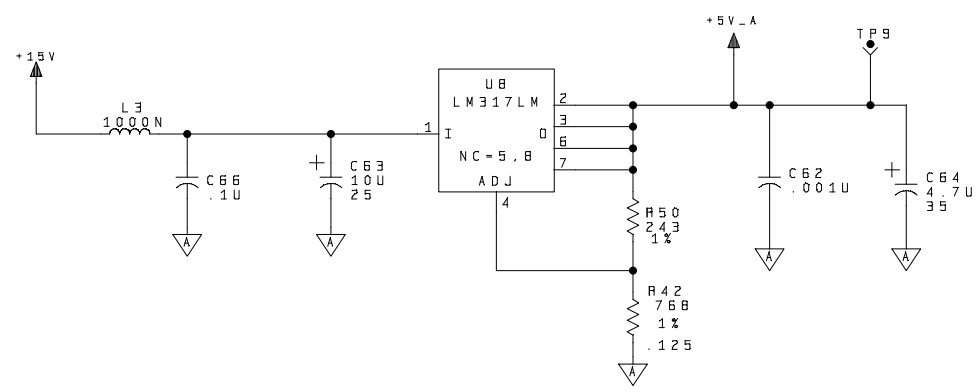
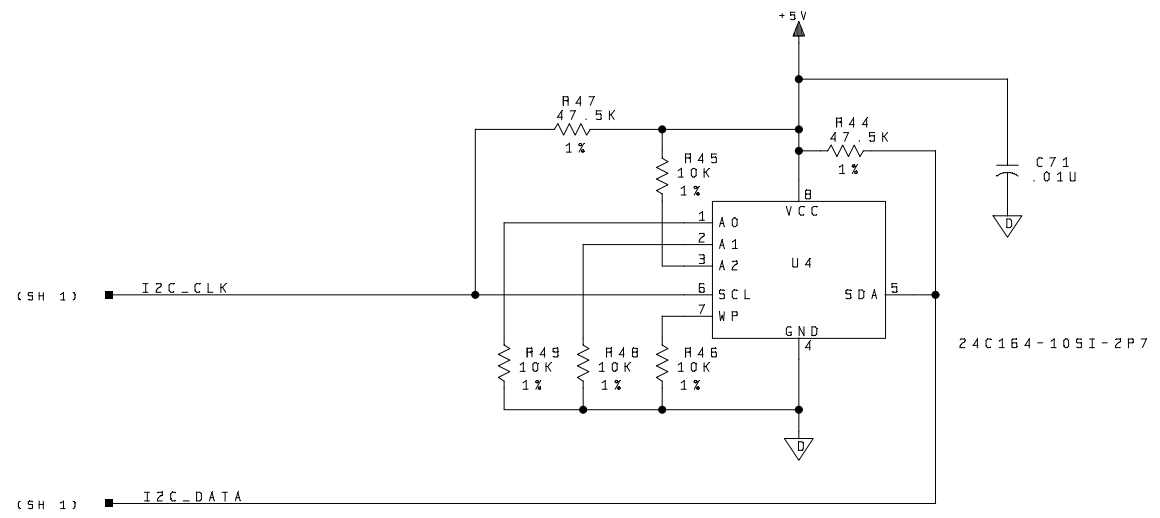
PROPRIETARY DATA

THE DATA DISCLOSED IN THIS DOCUMENT WAS ORIGINATED BY HARRIS CORP., RF COMMUNICATIONS, AND IS TO BE UTILIZED ONLY FOR THE SPECIFIC PURPOSES FOR WHICH IT WAS SUPPLIED. IT IS NOT TO BE REPRODUCED WITHOUT THE WRITTEN CONSENT OF RF COMMUNICATIONS.

SIZE	CAGE CODE	DRAWING NO.	REV
H	14304	12007-4101	3
SCALE	WEIGHT	SHEET	3

SHEET NO. 3  
 DRAWING NO. 12007-4101

REVISIONS				
ZONE	REV	DESCRIPTION	DATE	APPROVED



SIMILAR TO:			
PROPRIETARY DATA			
THE DATA DISCLOSED IN THIS DOCUMENT WAS ORIGINATED BY HARRIS CORP., RF COMMUNICATIONS, AND IS TO BE UTILIZED ONLY FOR THE SPECIFIC PURPOSES FOR WHICH IT WAS SUPPLIED. IT IS NOT TO BE REPRODUCED WITHOUT THE WRITTEN CONSENT OF RF COMMUNICATIONS.			
SIZE	CAGE CODE	DRAWING NO.	REV
H	14304	12007-4101	3
SCALE	WEIGHT	SHEET 4	

DRG NO. 12007-4101  
 SHEET 4 OF 3