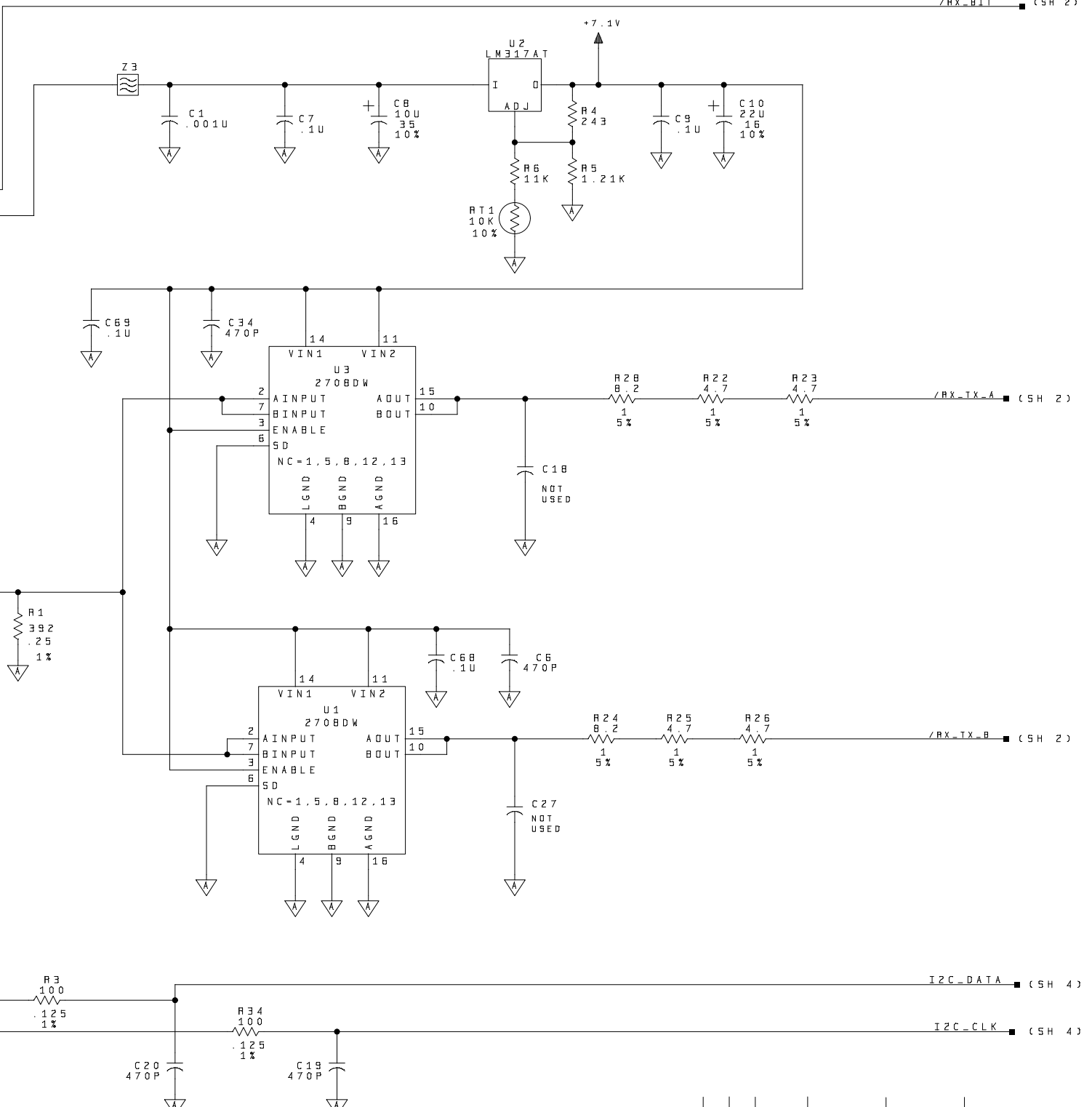
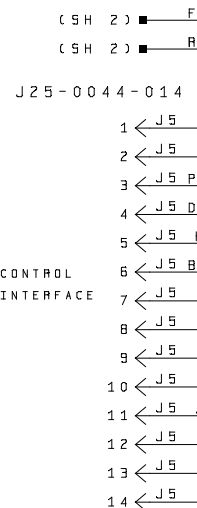
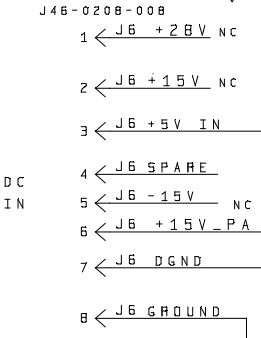
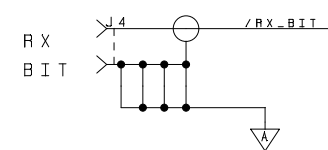


REVISIONS				
ZONE	REV	DESCRIPTION	DATE	APPROVED
-	-	RELEASE FOR PRODUCTION		

THIS DRAWING HAS BEEN CREATED USING A VIEWLOGIC COMPUTER GRAPHIC SYSTEM. TO INSURE DATABASE INTEGRITY, ALL CHANGES OR REVISIONS MUST BE MADE ON A VIEWLOGIC SYSTEM. THIS IS A WORKVIEW OFFICE DATABASE.

- NOTE: UNLESS OTHERWISE SPECIFIED:
- PARTIAL REFERENCE DESIGNATIONS ARE SHOWN. FOR A COMPLETE DESIGNATION, PREFIX WITH UNIT NO. AND/OR ASSEMBLY NO. DESIGNATION.
  - ALL RESISTORS ARE IN OHMS AND WATTS.
  - ALL CAPACITOR VALUES ARE IN FARADS.
  - VENDOR PART NO. CALLOUTS ARE FOR REFERENCE ONLY. COMPONENTS ARE SUPPLIED PER PART NO. IN PARTS LIST.
  - SLASH (/) DENOTES ACTIVE LOW. DASH (-) INDICATES MULTI-FUNCTION SIGNAL.
  - NET CROSS REFERENCING BETWEEN SHEETS IS IN THE FORM OF (SHEET/ZONE).
  - THE FOLLOWING PARTS ARE NOT INSTALLED:



PROPRIETARY DATA

THE DATA DISCLOSED IN THIS DOCUMENT WAS ORIGINATED BY HARRIS CORP., RF COMMUNICATIONS, AND IS TO BE UTILIZED ONLY FOR THE SPECIFIC PURPOSES FOR WHICH IT WAS SUPPLIED. IT IS NOT TO BE REPRODUCED WITHOUT THE WRITTEN CONSENT OF RF COMMUNICATIONS.

QTY	ITEM NO.	CAGE CODE	SPECIFICATION	PART NUMBER	DESCRIPTION
PARTS LIST					
				DR P OSLER 00-02-17	
				CRK R PORTE 000310	
				ENGR P OSLER 000310	
				NFG SPEC	
				APVD C LLOYD 000310	
				CONTR NO.	RLSE DATE
				22007-4200-01	MX-9325
				NEXT ASSY	USED ON
				APPLICATION	
				FNSH	APPROVED

**HARRIS**

TITLE  
SCHEMATIC DIAGRAM  
LFP\DIR COUPLER

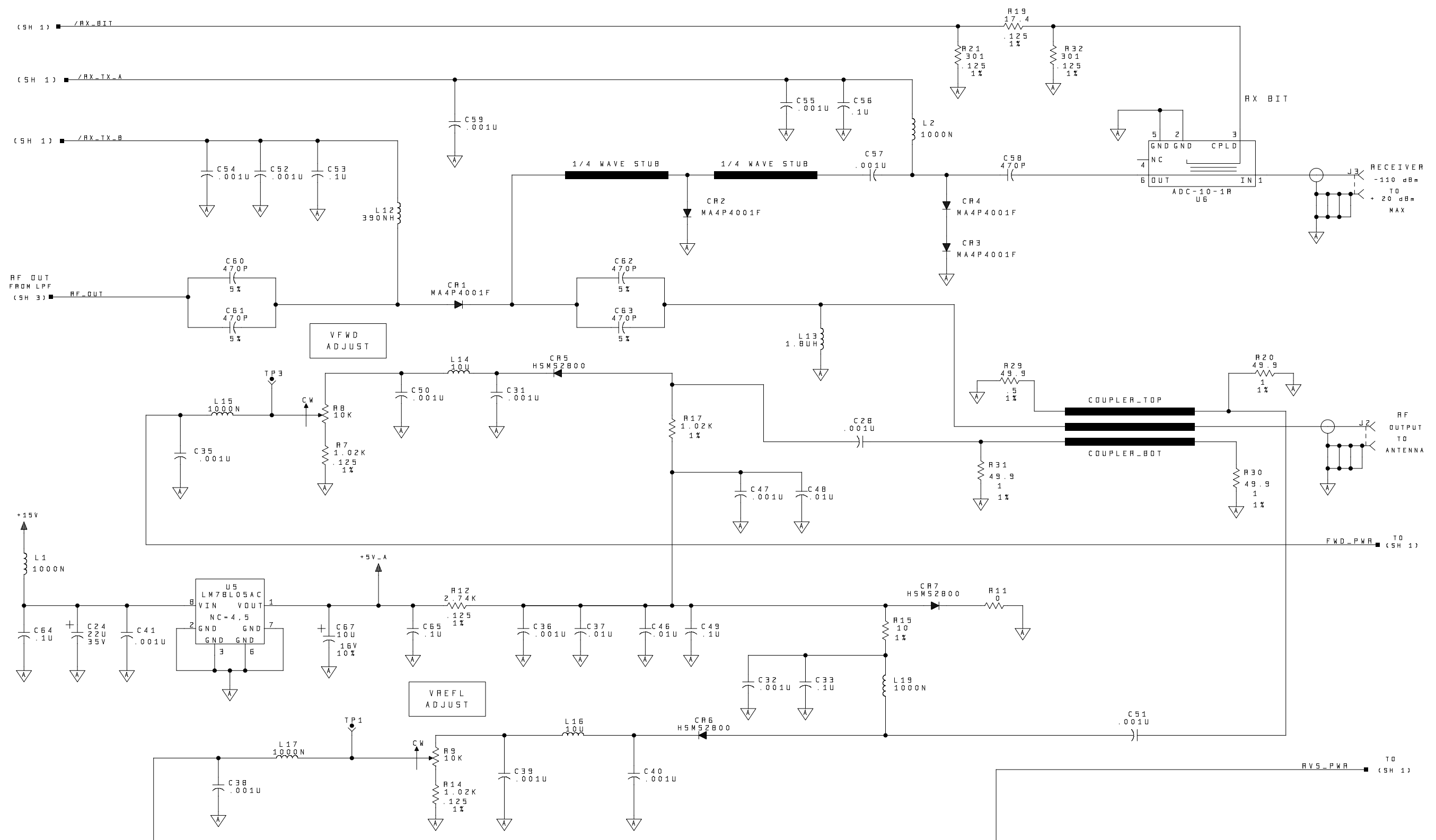
SIZE	CAGE CODE	DRAWING NO.	REV
H 14304		12007-4201	-
SCALE	WEIGHT	SHEET	OF 4
		1	4

DRG NO. 12007-4201

SHEET 1

A

REVISIONS				
ZONE	REV	DESCRIPTION	DATE	APPROVED



SIMILAR TO:

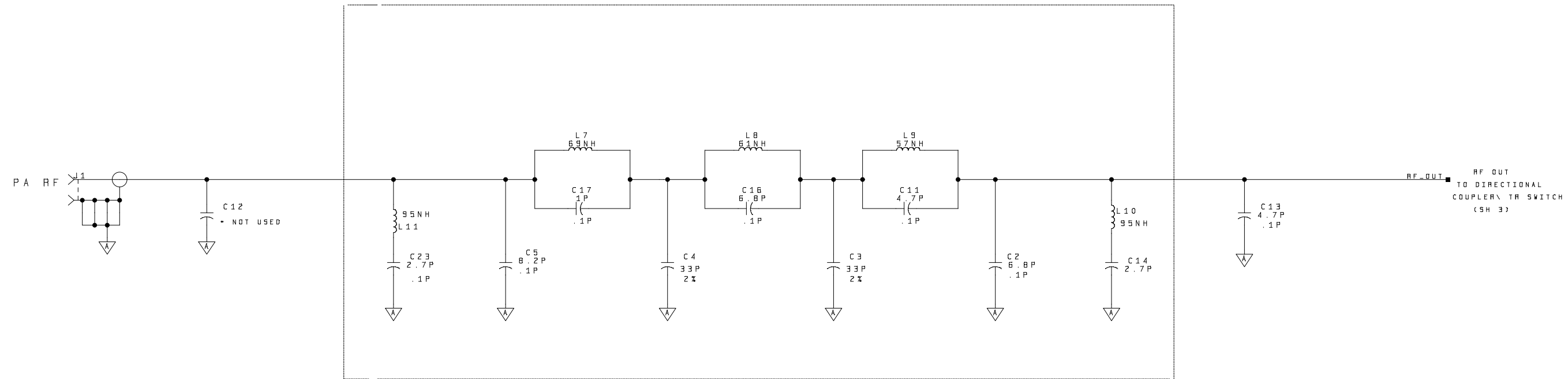
PROPRIETARY DATA

THE DATA DISCLOSED IN THIS DOCUMENT WAS ORIGINATED BY HARRIS CORP., RF COMMUNICATIONS, AND IS TO BE UTILIZED ONLY FOR THE SPECIFIC PURPOSES FOR WHICH IT WAS SUPPLIED. IT IS NOT TO BE REPRODUCED WITHOUT THE WRITTEN CONSENT OF RF COMMUNICATIONS.

SIZE	CAGE CODE	DRAWING NO.	REV
H 14304		12007-4201	-
SCALE/WEIGHT		SHEET	2

SHEET NO. 2  
 DRAWING NO. 12007-4201

REVISIONS				
ZONE	REV	DESCRIPTION	DATE	APPROVED

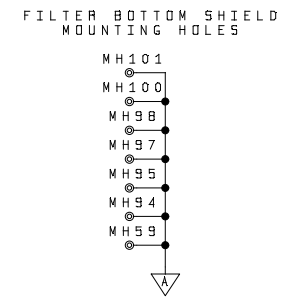
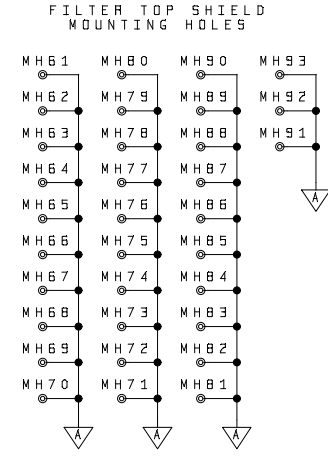
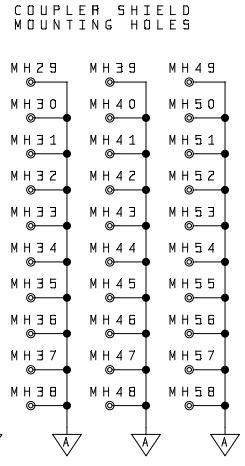
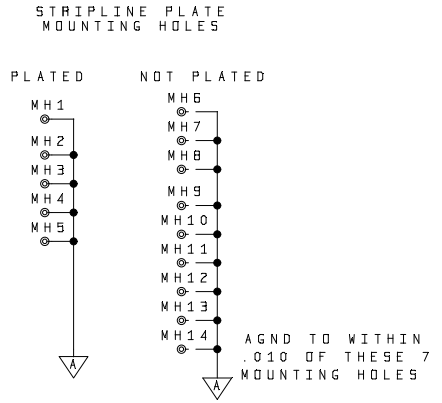
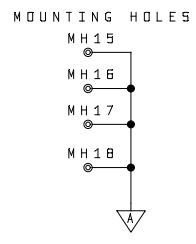
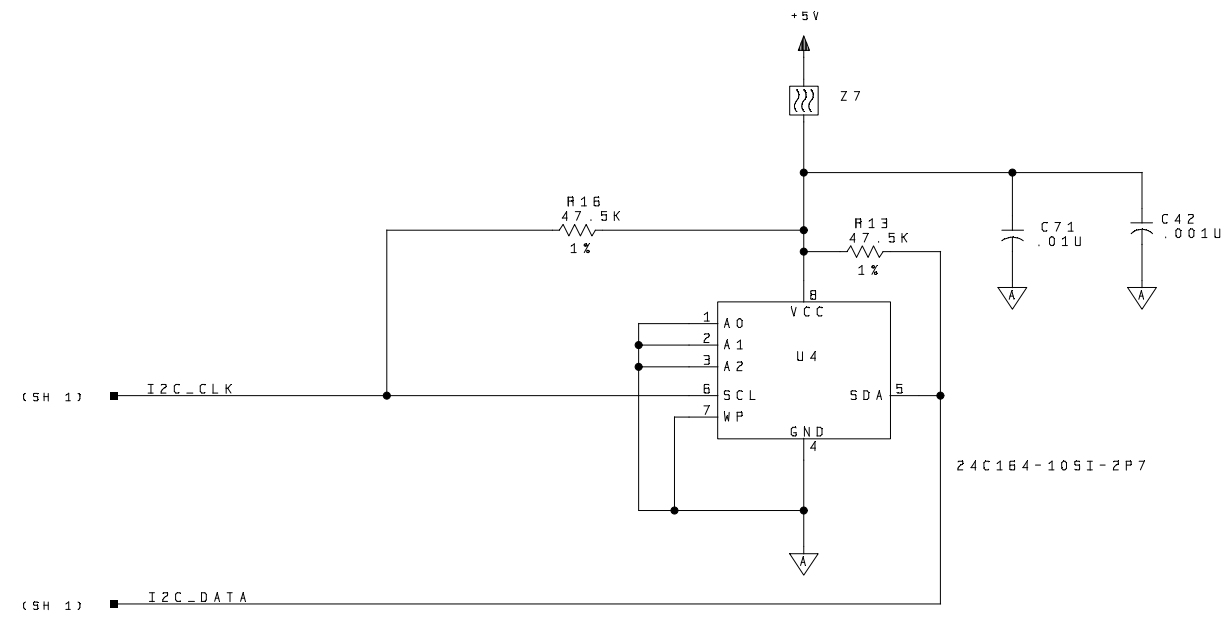


LOW PASS FILTER

SIMILAR TO:				
PROPRIETARY DATA				
THE DATA DISCLOSED IN THIS DOCUMENT WAS ORIGINATED BY HARRIS CORP., RF COMMUNICATIONS, AND IS TO BE UTILIZED ONLY FOR THE SPECIFIC PURPOSES FOR WHICH IT WAS SUPPLIED. IT IS NOT TO BE REPRODUCED WITHOUT THE WRITTEN CONSENT OF RF COMMUNICATIONS.				
SIZE	CAGE CODE	DRAWING NO.	REV	
H	14304	12007-4201	-	
SCALE	WEIGHT	SHEET	3	

DRG NO. 12007-4201  
 SHEET 3

REVISIONS				
ZONE	REV	DESCRIPTION	DATE	APPROVED



SIMILAR TO:			
PROPRIETARY DATA			
THE DATA DISCLOSED IN THIS DOCUMENT WAS ORIGINATED BY HARRIS CORP., RF COMMUNICATIONS, AND IS TO BE UTILIZED ONLY FOR THE SPECIFIC PURPOSES FOR WHICH IT WAS SUPPLIED. IT IS NOT TO BE REPRODUCED WITHOUT THE WRITTEN CONSENT OF RF COMMUNICATIONS.			
SIZE	CAGE CODE	DRAWING NO.	REV
H	14304	12007-4201	-
SCALE	WEIGHT	SHEET	4

DRG NO. 12007-4201  
 SHEET 4