

THIS DRAWING HAS BEEN CREATED USING A VIEWLOGIC COMPUTER GRAPHIC SYSTEM. TO INSURE DATABASE INTEGRITY, ALL CHANGES OR REVISIONS MUST BE MADE ON A VIEWLOGIC SYSTEM. THIS IS A WORKVIEW OFFICE DATABASE.

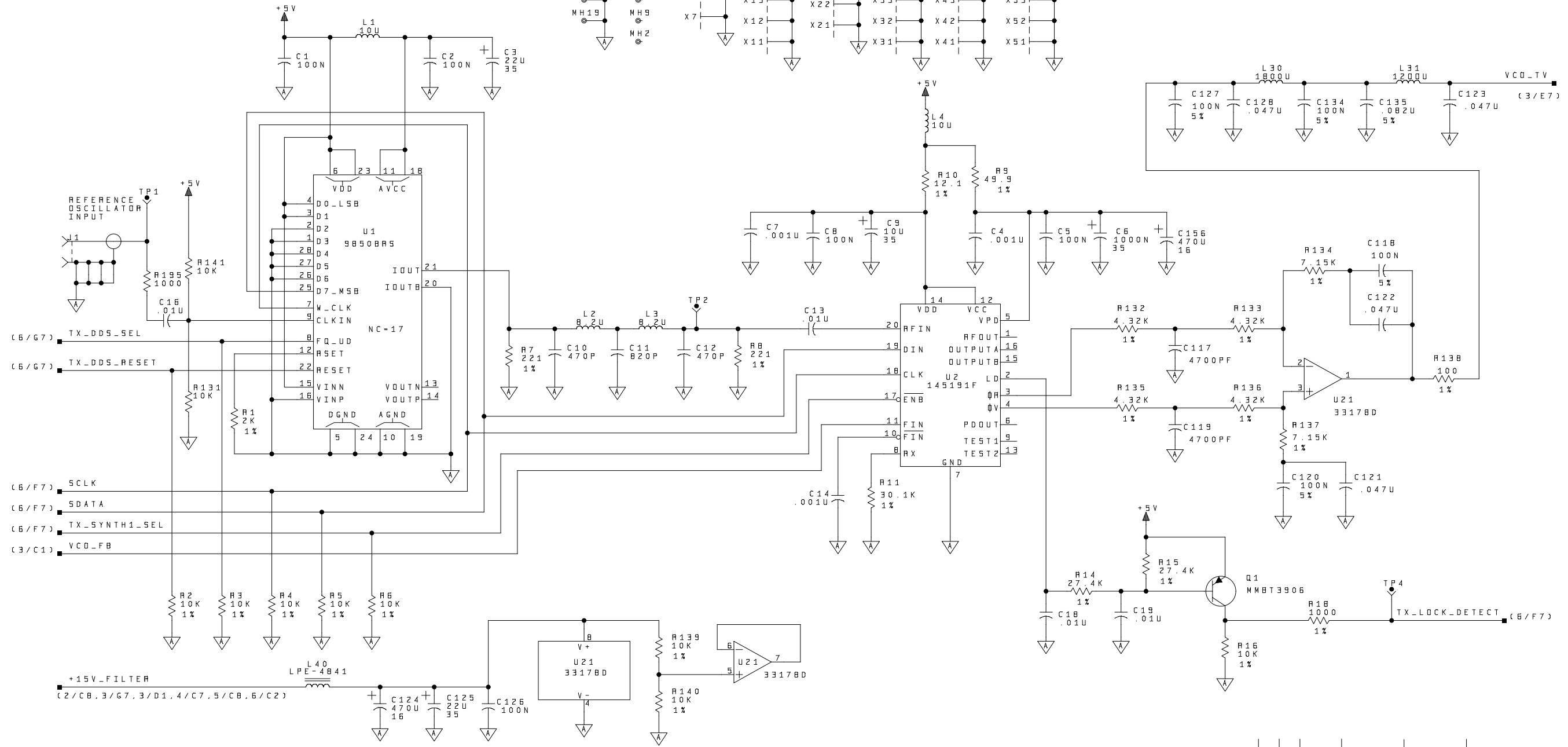
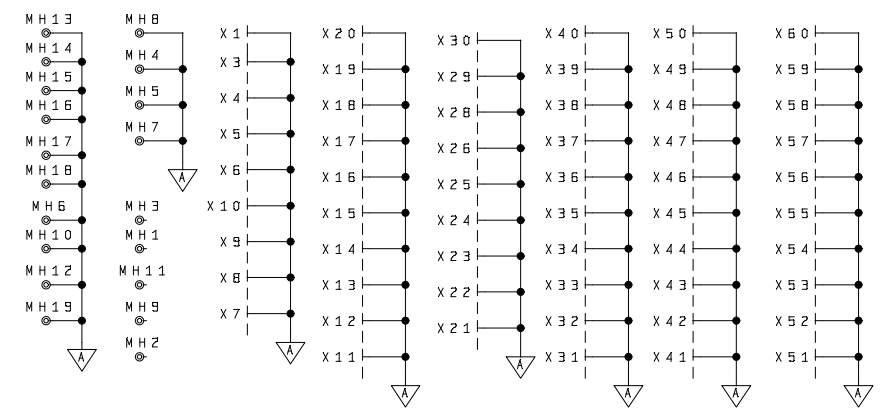
REVISIONS				
ZONE	REV	DESCRIPTION	DATE	APPROVED
-	-	RELEASE FOR PRODUCTION	00-2-28	RIP

NOTE: UNLESS OTHERWISE SPECIFIED:

- PARTIAL REFERENCE DESIGNATIONS ARE SHOWN. FOR A COMPLETE DESIGNATION, PREFIX WITH UNIT NO. AND/OR ASSEMBLY NO. DESIGNATION.
- ALL RESISTORS ARE IN OHMS AND WATTS.
- ALL CAPACITOR VALUES ARE IN FARADS.
- VENDOR PART NO. CALLOUTS ARE FOR REFERENCE ONLY. COMPONENTS ARE SUPPLIED PER PART NO. IN PARTS LIST.
- SLASH (/) DENOTES ACTIVE LOW. DASH (-) INDICATES MULTI-FUNCTION SIGNAL.
- NET CROSS REFERENCING BETWEEN SHEETS IS IN THE FORM OF (SHEET/ZONE).
- THE FOLLOWING PARTS ARE NOT INSTALLED:

FID1
FID2
FID3

FID4
FID5
FID6



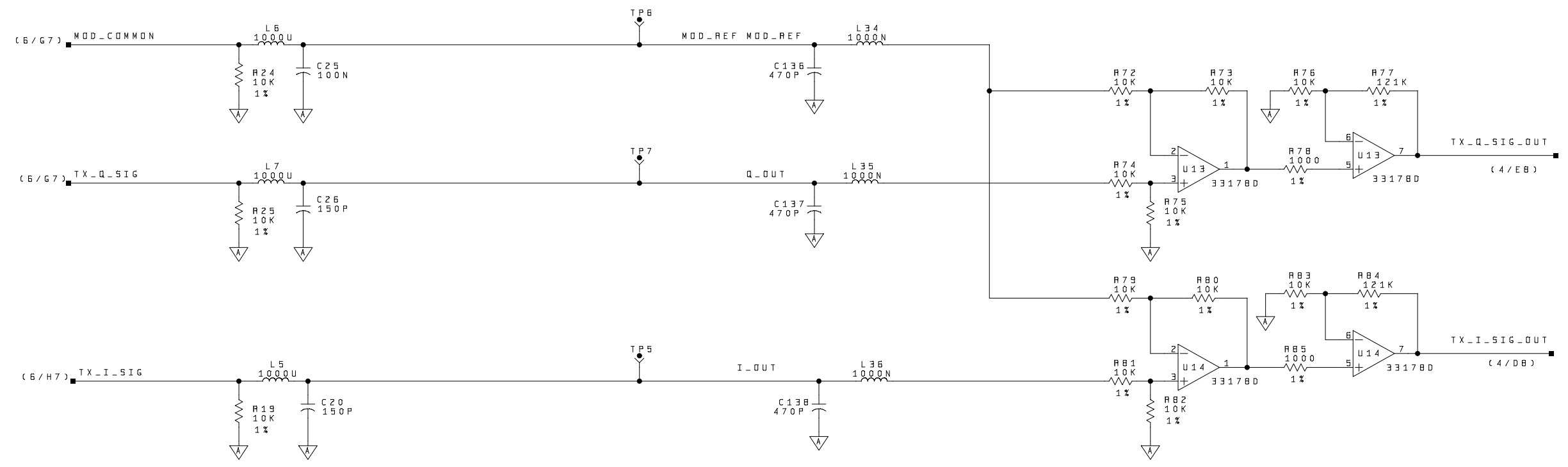
PROPRIETARY DATA

THE DATA DISCLOSED IN THIS DOCUMENT WAS ORIGINATED BY HARRIS CORP., RF COMMUNICATIONS, AND IS TO BE UTILIZED ONLY FOR THE SPECIFIC PURPOSES FOR WHICH IT WAS SUPPLIED. IT IS NOT TO BE REPRODUCED WITHOUT THE WRITTEN CONSENT OF RF COMMUNICATIONS.

QTY	ITEM NO.	CAGE CODE	SPECIFICATION	PART NUMBER	DESCRIPTION
PARTS LIST					
DIMENSIONS IN INCHES TOLERANCES					
FRACTIONS 1/64					
ANGLES ± 1°					
DEC XX L.D2 XXX ±.005					
NFG SPEC					
APVD					
C.LLOYD 2-28-00					
CONTR NO.					
DATE					
00-2-28					
DSN ACTIVITY					
APPROVAL					
APPROVED					
SIZE CAGE CODE DRAWING NO. REV					
H 14304 12007-3001 -					
SCALE/WEIGHT SHEET 1 OF 6					

DSN NO. 12007-3001 1 REV

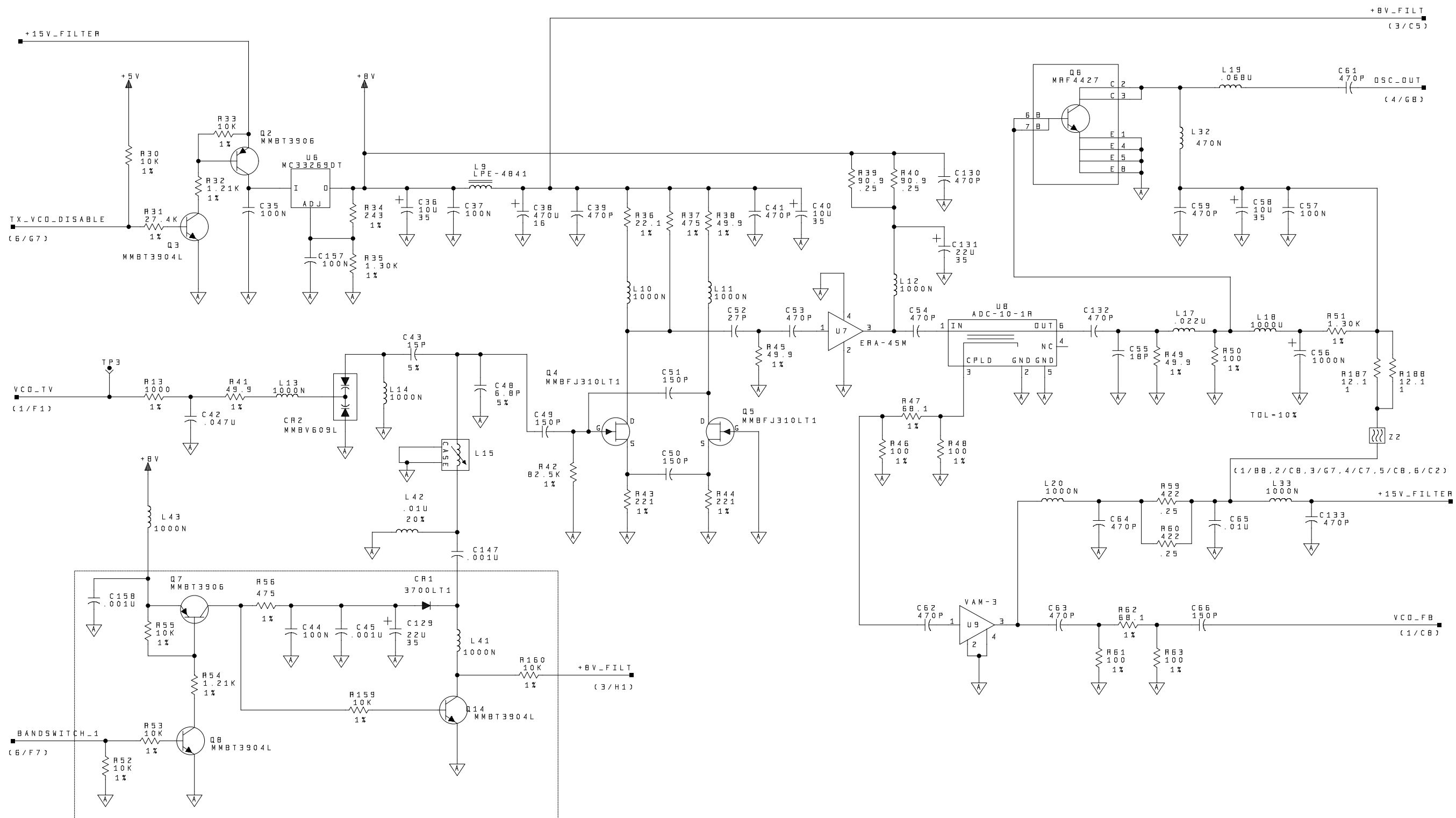
REVISIONS				
ZONE	REV	DESCRIPTION	DATE	APPROVED



SHEET NO. 2
 REV. -

SIMILAR TO:			
PROPRIETARY DATA THE DATA DISCLOSED IN THIS DOCUMENT WAS ORIGINATED BY HARRIS CORP., RF COMMUNICATIONS, AND IS TO BE UTILIZED ONLY FOR THE SPECIFIC PURPOSES FOR WHICH IT WAS SUPPLIED. IT IS NOT TO BE REPRODUCED WITHOUT THE WRITTEN CONSENT OF RF COMMUNICATIONS.			
SIZE	CAGE CODE	DRAWING NO.	REV.
H	14304	12007-3001	-
SCALE	WEIGHT	SHEET	2

REVISIONS				
ZONE	REV	DESCRIPTION	DATE	APPROVED



SIMILAR TO:

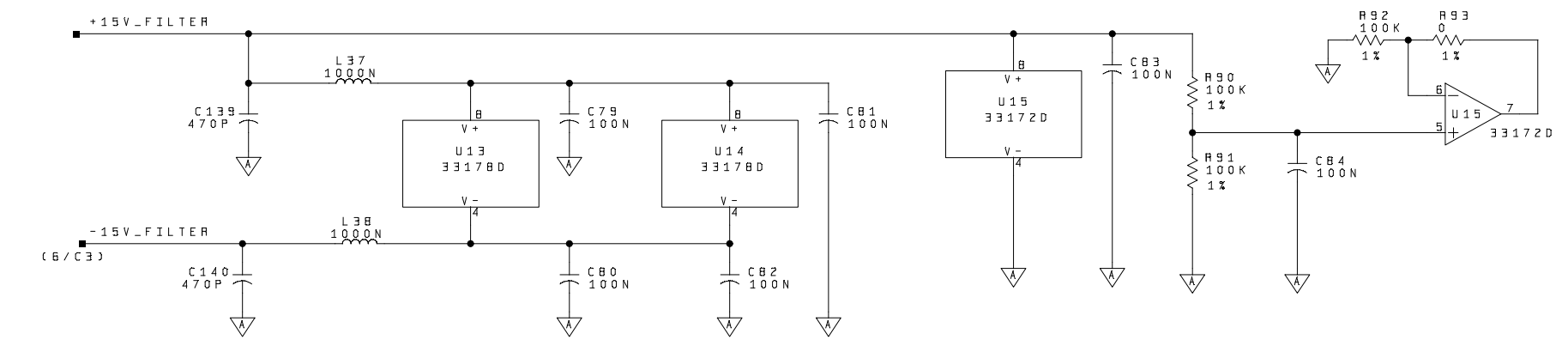
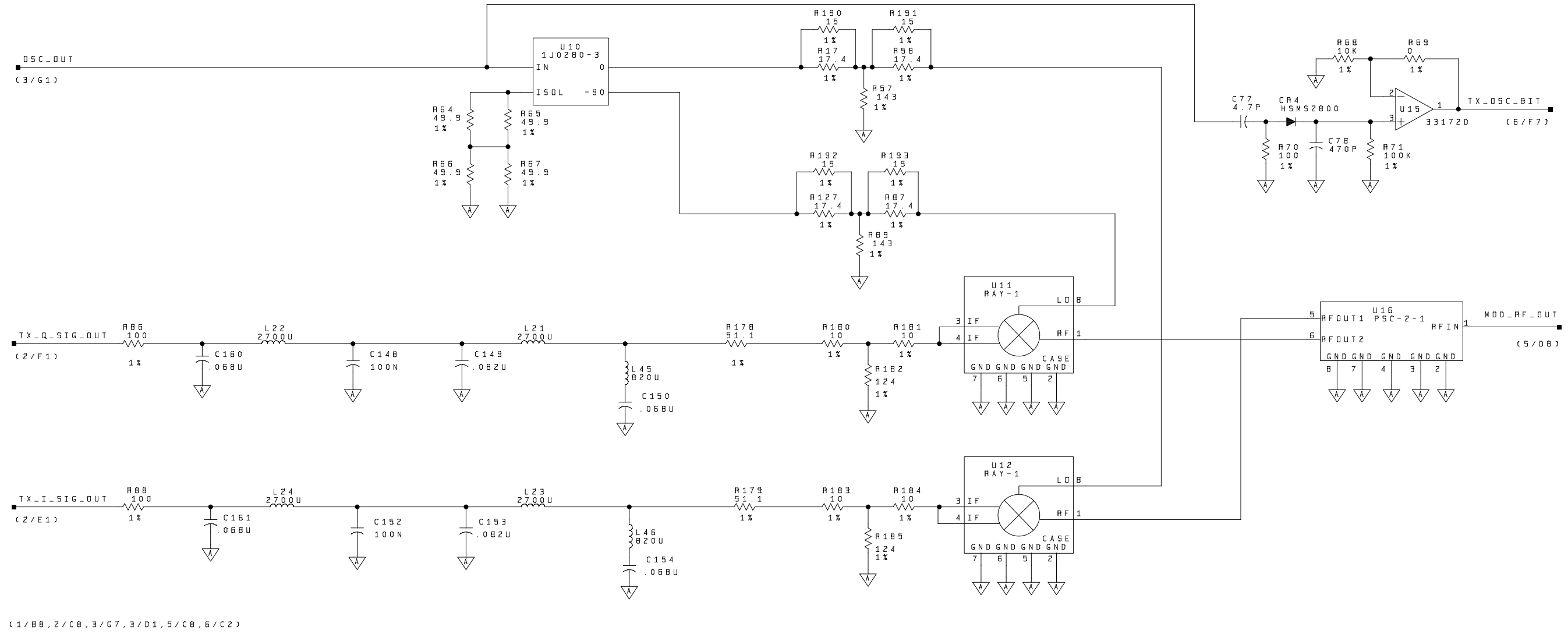
PROPRIETARY DATA

THE DATA DISCLOSED IN THIS DOCUMENT WAS ORIGINATED BY HARRIS CORP., RF COMMUNICATIONS, AND IS TO BE UTILIZED ONLY FOR THE SPECIFIC PURPOSES FOR WHICH IT WAS SUPPLIED. IT IS NOT TO BE REPRODUCED WITHOUT THE WRITTEN CONSENT OF RF COMMUNICATIONS.

SIZE	CAGE CODE	DRAWING NO.	REV
H 14304		12007-3001	-
SCALE	WEIGHT	SHEET	3

SHEET NO. 3
 REV. -

REVISIONS				
ZONE	REV	DESCRIPTION	DATE	APPROVED



(1/B8, 2/C8, 3/G7, 3/D1, 5/C8, 6/C2)

SIMILAR TO:

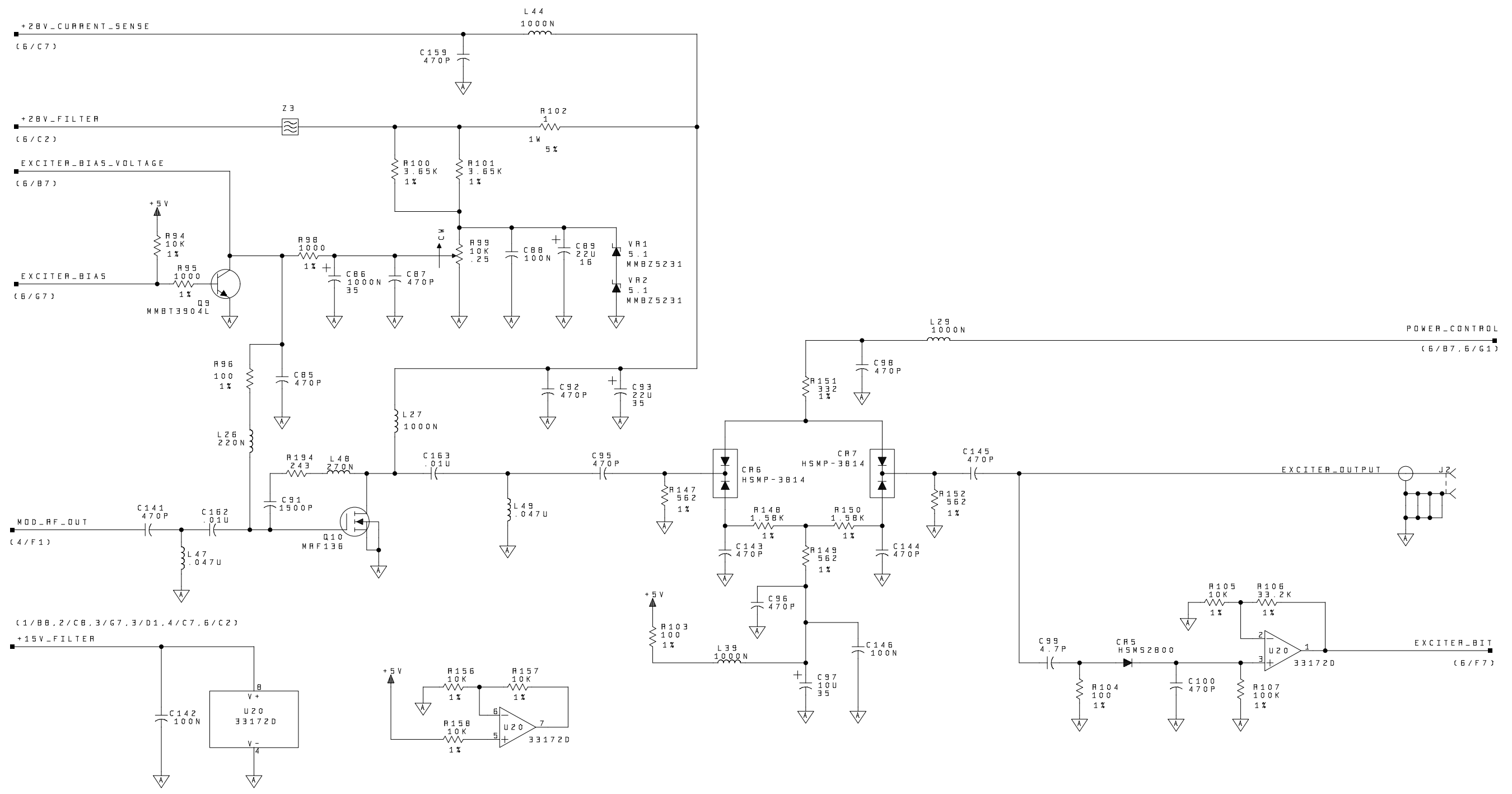
PROPRIETARY DATA

THE DATA DISCLOSED IN THIS DOCUMENT WAS ORIGINATED BY HARRIS CORP., RF COMMUNICATIONS, AND IS TO BE UTILIZED ONLY FOR THE SPECIFIC PURPOSES FOR WHICH IT WAS SUPPLIED. IT IS NOT TO BE REPRODUCED WITHOUT THE WRITTEN CONSENT OF RF COMMUNICATIONS.

SIZE	CAGE CODE	DRAWING NO.	REV
H 14304		12007-3001	-
SCALE	WEIGHT	SHEET	4

DRG NO. 12007-3001
 SHEET 4

REVISIONS				
ZONE	REV	DESCRIPTION	DATE	APPROVED



SIMILAR TO:

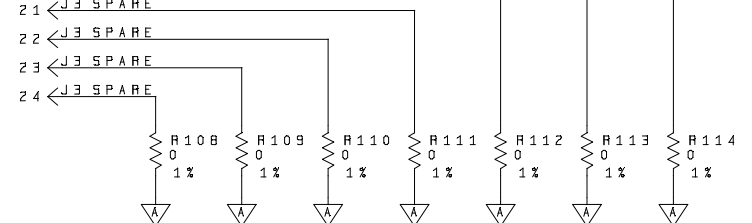
PROPRIETARY DATA

THE DATA DISCLOSED IN THIS DOCUMENT WAS ORIGINATED BY HARRIS CORP., RF COMMUNICATIONS, AND IS TO BE UTILIZED ONLY FOR THE SPECIFIC PURPOSES FOR WHICH IT WAS SUPPLIED. IT IS NOT TO BE REPRODUCED WITHOUT THE WRITTEN CONSENT OF RF COMMUNICATIONS.

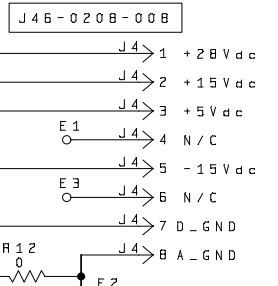
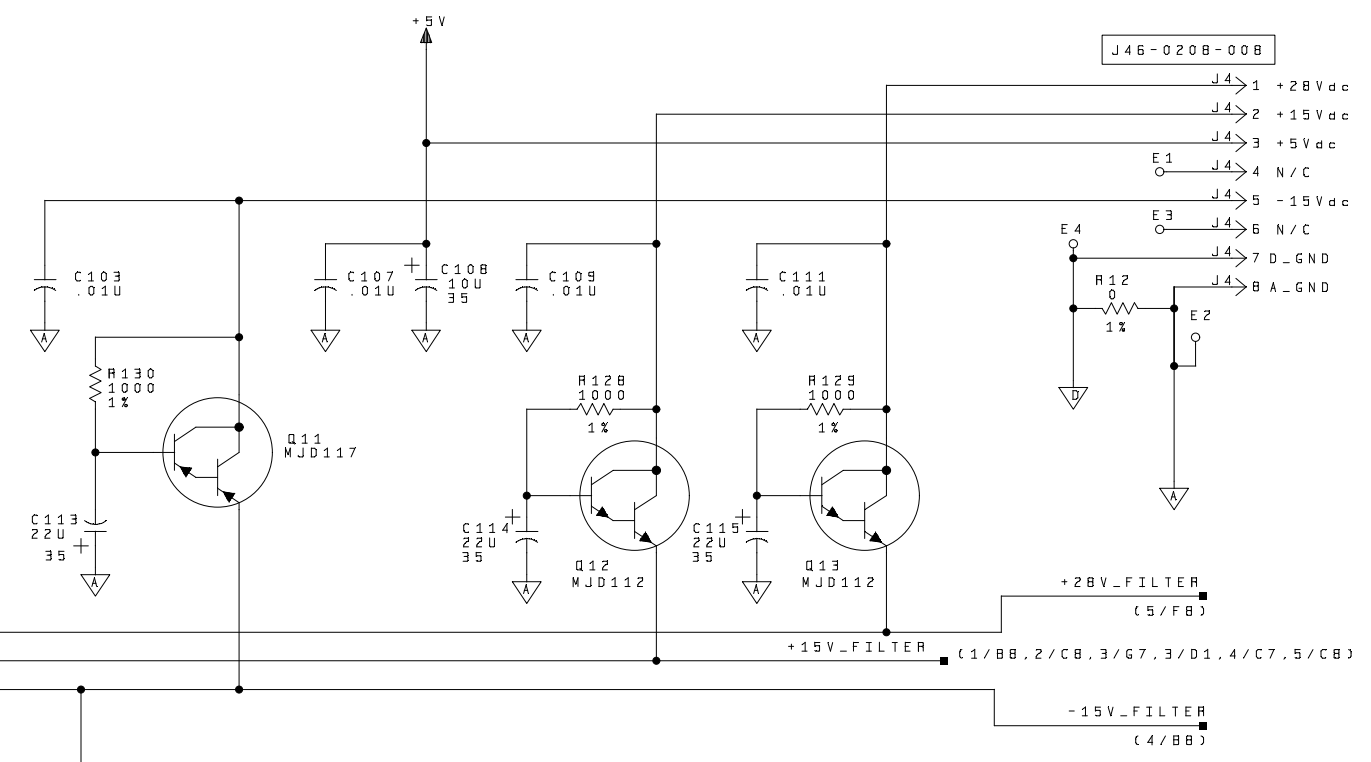
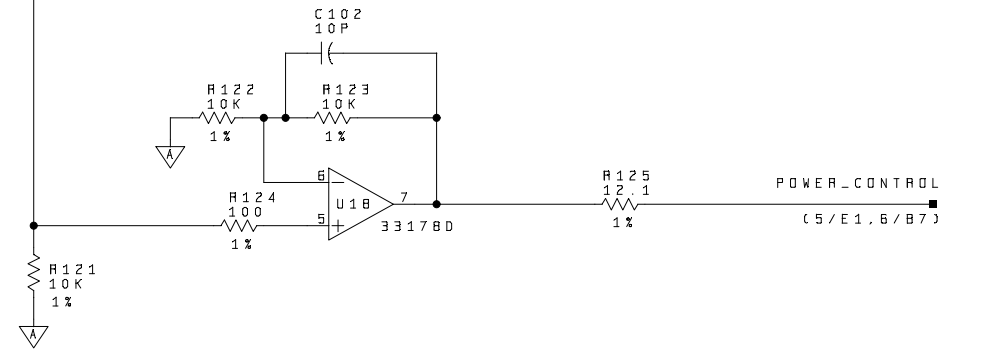
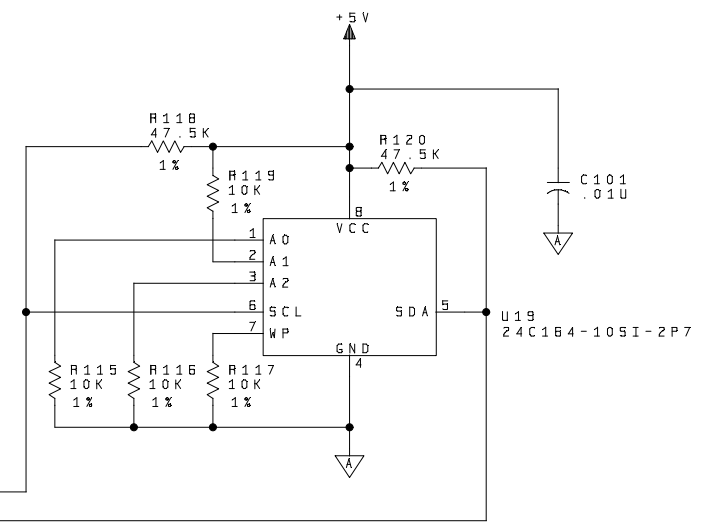
SIZE	CAGE CODE	DRAWING NO.	REV
H	14304	12007-3001	-
SCALE	WEIGHT	SHEET	5

REVISIONS				
ZONE	REV	DESCRIPTION	DATE	APPROVED

- J25-0044-024**
- 1 ← J3 0 R176 TX_I_SIG (2/E7)
 - 2 ← J3 0 R177 TX_Q_SIG (2/F7)
 - 3 ← J3 0 R142 MOD_COMMON (2/G7)
 - 4 ← J3 10 R161 EXCITER_BIAS (5/E8)
 - 5 ← J3 1000 R162 PWR_CTRL
 - 6 ← J3 10 R163 TX_VCO_DISABLE (3/F8)
 - 7 ← J3 1000 R164 DSP_TX
 - 8 ← J3 1000 R165 TX-DDS_SEL (1/D8)
 - 9 ← J3 1000 R166 TX-DDS_RESET (1/D8)
 - 10 ← J3 1000 R167 TX_SYNTH1_SEL (1/C8)
 - 11 ← J3 TX_PF_SEL
 - 12 ← J3 1000 R168 SDATA (1/C8)
 - 13 ← J3 1000 R169 SCLK (1/C8)
 - 14 ← J3 1000 R170 TX_LOCK_DETECT (1/B1)
 - 15 ← J3 1000 R171 BANDSWITCH_1 (3/BB)
 - 16 ← J3 BANDSWITCH_2
 - 17 ← J3 1000 R172 EXCITER_BIT (5/C1)
 - 18 ← J3 1000 R173 TX_OSC_BIT (4/G1)
 - 19 ← J3 1000 R174 I2C_CLK
 - 20 ← J3 1000 R175 I2C_DATA



- J25-0044-010**
- 1 ← J5 +8V
 - 2 ← J5
 - 3 ← J5
 - 4 ← J5
 - 5 ← J5
 - 6 ← J5 +28V_CURRENT_SENSE (5/G8)
 - 7 ← J5 POWER_CONTROL (5/E1.6/G1)
 - 8 ← J5 EXCITER_BIAS_VOLTAGE (5/F8)
 - 9 ← J5
 - 10 ← J5 R126 0 1% (to GND)



SIMILAR TO:

PROPRIETARY DATA

THE DATA DISCLOSED IN THIS DOCUMENT WAS ORIGINATED BY HARRIS CORP., RF COMMUNICATIONS, AND IS TO BE UTILIZED ONLY FOR THE SPECIFIC PURPOSES FOR WHICH IT WAS SUPPLIED. IT IS NOT TO BE REPRODUCED WITHOUT THE WRITTEN CONSENT OF RF COMMUNICATIONS.

SIZE	CAGE CODE	DRAWING NO.	REV
H 14304		12007-3001	-
SCALE	WEIGHT	SHEET	6

SHEET NO. 5
 REV. -
 12007-3001