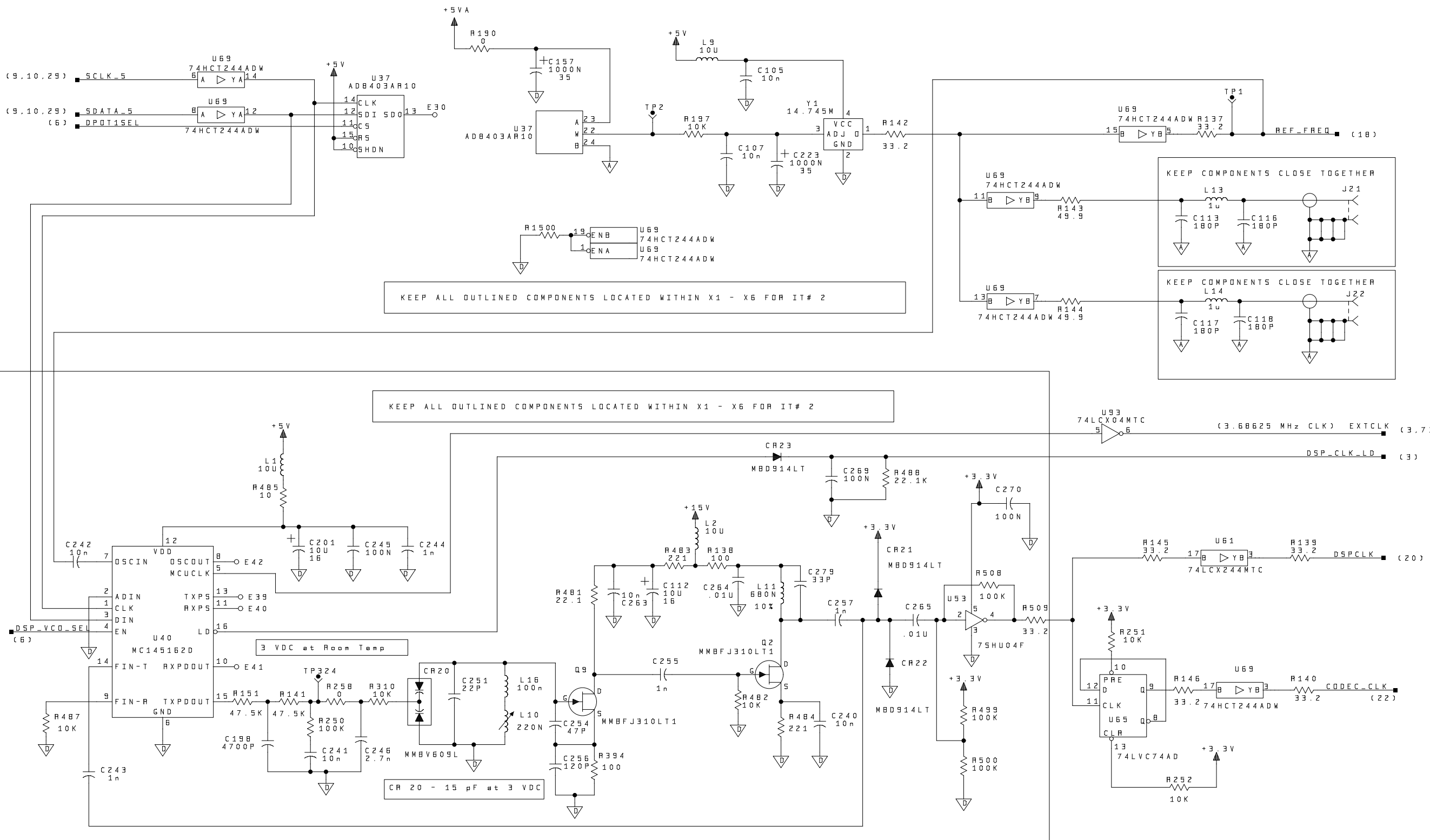
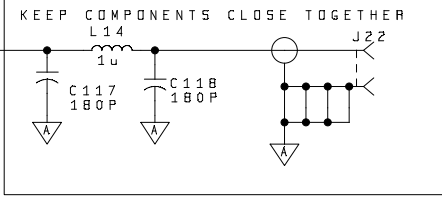
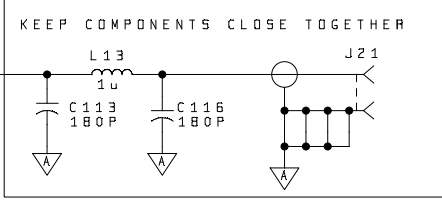


REVISIONS				
ZONE	REV	DESCRIPTION	DATE	APPROVED



KEEP ALL OUTLINED COMPONENTS LOCATED WITHIN X1 - X6 FOR IT# 2

KEEP ALL OUTLINED COMPONENTS LOCATED WITHIN X1 - X6 FOR IT# 2



SIMILAR TO:

PROPRIETARY DATA

THE DATA DISCLOSED IN THIS DOCUMENT WAS ORIGINATED BY HARRIS CORP., RF COMMUNICATIONS, AND IS TO BE UTILIZED ONLY FOR THE SPECIFIC PURPOSES FOR WHICH IT WAS SUPPLIED. IT IS NOT TO BE REPRODUCED WITHOUT THE WRITTEN CONSENT OF RF COMMUNICATIONS.

SIZE	CAGE CODE	DRAWING NO.	REV
H 14304		12007-2501	-
SCALE	WEIGHT	SHEET	17