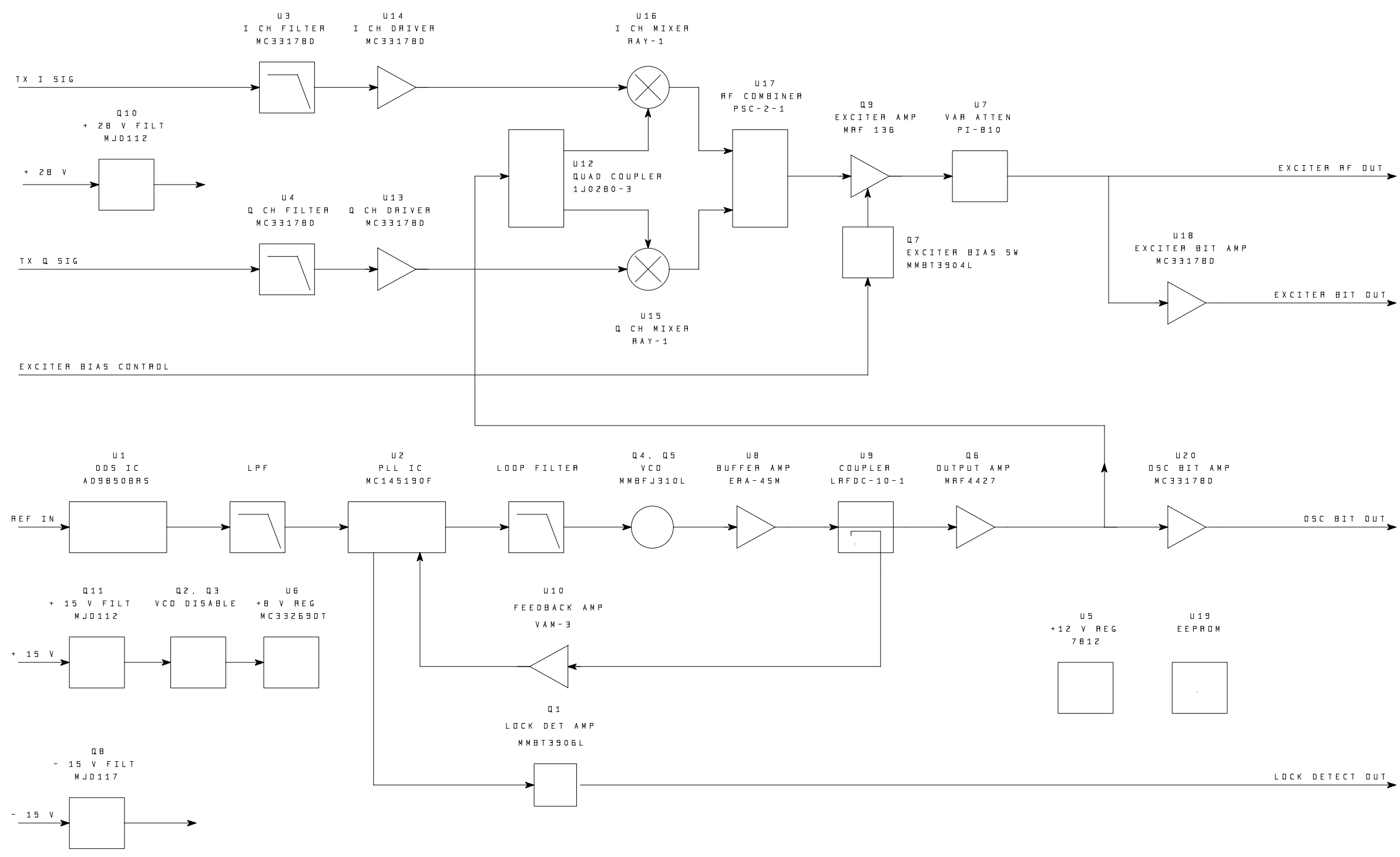


REVISIONS				
ZONE	REV	DESCRIPTION	DATE	APPROVED



QTY	ITEM NO.	CAGE CODE	SPECIFICATION	PART NUMBER	DESCRIPTION
PARTS LIST					
DIMENSIONS IN INCHES			DR C. J. STOLTZ III DATE 4/1/99		
TOLERANCES			CRK		
FRACTIONS 1/64			ENGR		
ANGLES 1/2°			APVD		
DEC XX L.D2 XXX ±.005			CONTR NO.		
NFG SPEC			RLSE DATE		
NATL			DSGN ACTIVITY		
NEXT ASSY			APPROVAL		
USED ON			SIZE H 14304		
APPLICATION			DRAWING NO. 12007-3001		
FNSH			SCALE		
APPROVED			WEIGHT		
			SHEET 1 OF 1		



TITLE
BLOCK DIAGRAM
MX 9325 EXCITER

REV 1
SHEET 1 OF 1