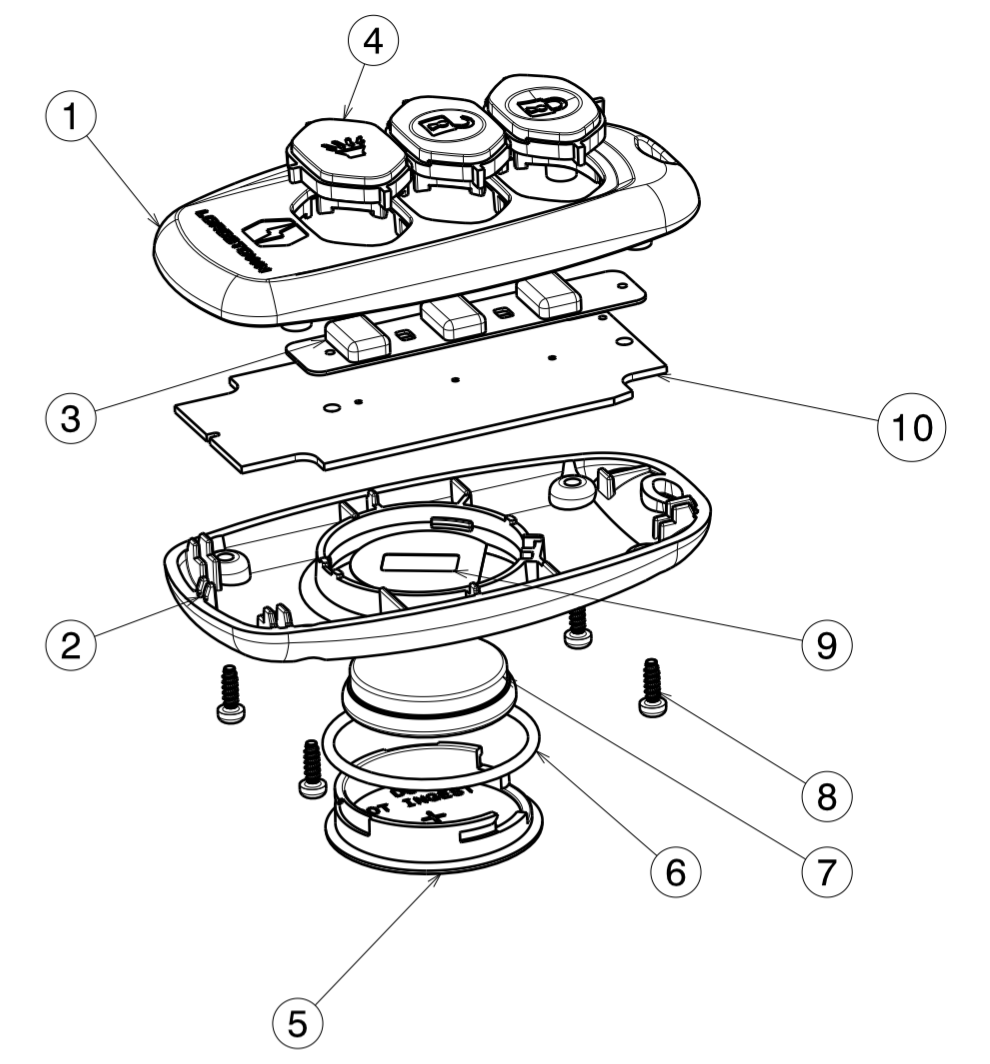
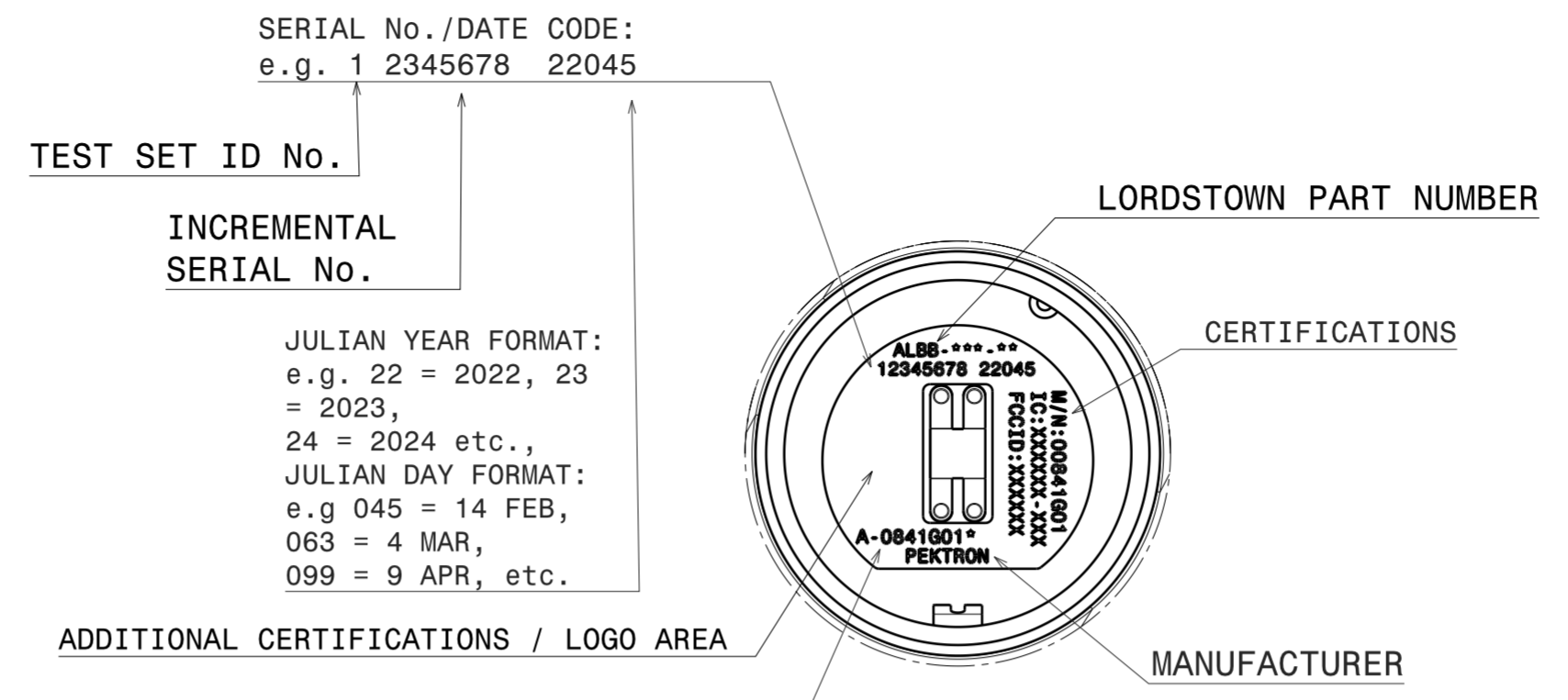
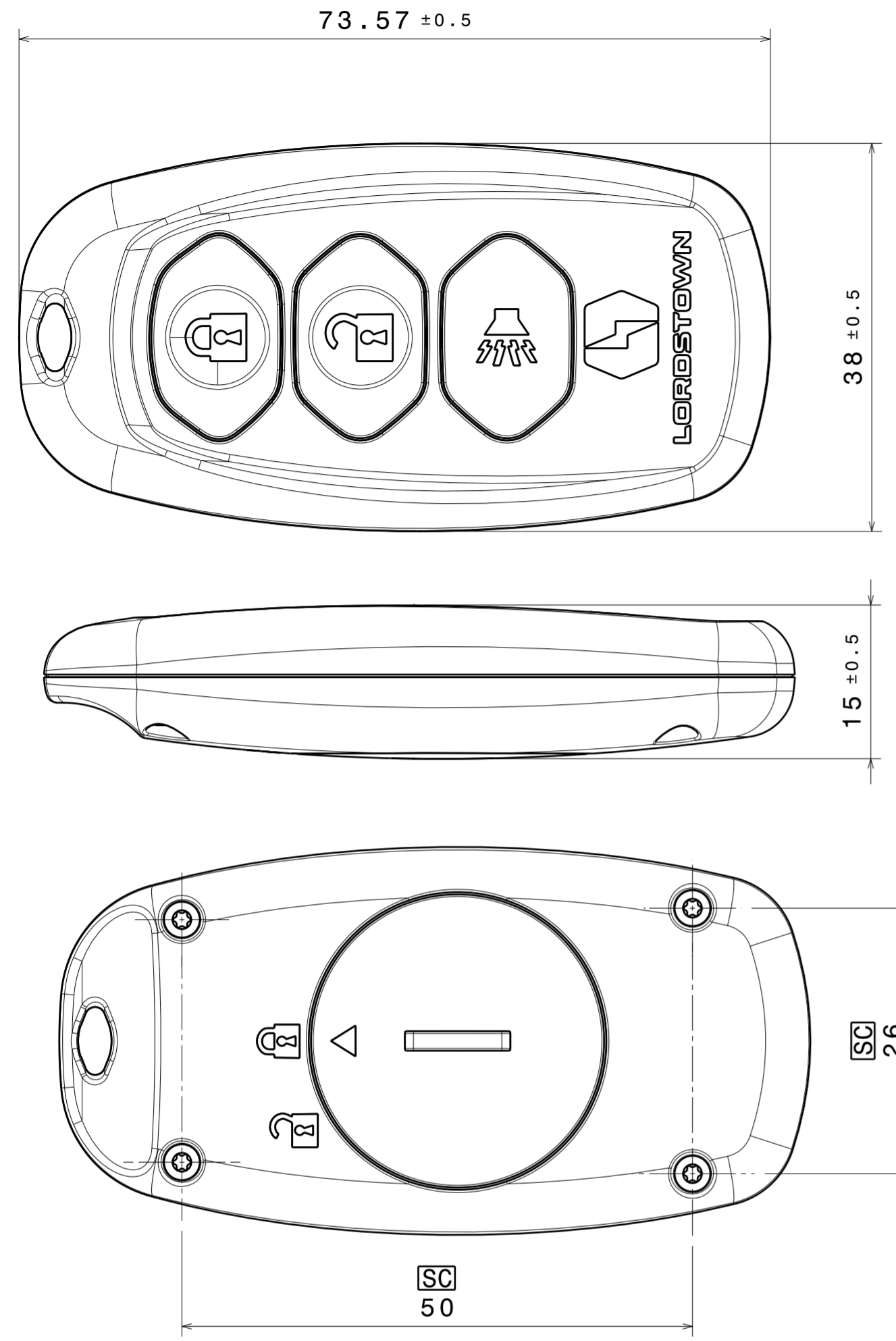
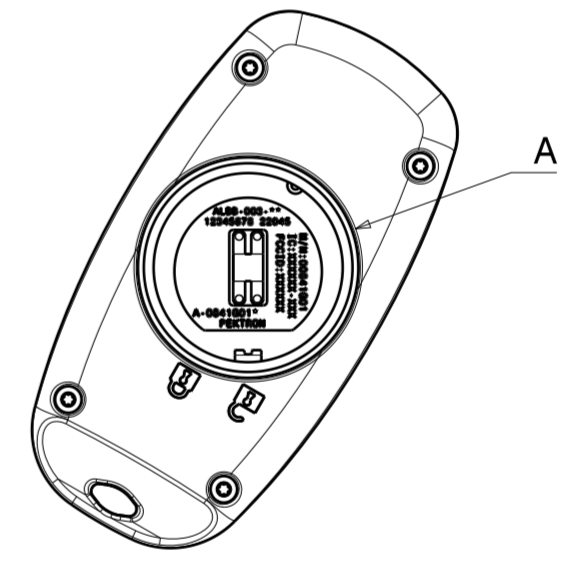


DRG No: 0841G01D

THIRD ANGLE



Isometric view  
Scale: 1:1



- NOTES:
- APPROX. UNIT WEIGHT OF SINGLE KEY = 30g
  - \* OR \*\* INDICATES LATEST ISSUE LEVEL
  - PART TO BE CHECKED AGAINST:  
'CQP 0841 - Lordstown Motors- 3 Button Key - Iss \*\*'
  - IMPORTANT:  
PART MUST COMPLY WITH THE END OF LIFE VEHICLES DIRECTIVE (2000-53-EC).  
ALL MATERIAL USED IN THE MANUFACTURE OF THIS PART MUST BE RoHS COMPLIANT.

ITEM	PART No.	DESCRIPTION	QTY	MATERIAL	COLOUR	FINISH
1	MPP-0841P01*	TOP HOUSING	1	PC-ABS	BLACK	P7a/MT-11030
2	MPP-0841P02*	LOWER HOUSING	1	PC-ABS	BLACK	P7a/MT-11030
3	MPP-0841P03*	SILICONE KEYPAD	1	SILICONE	N/A	-
4	MPP-0841P04*	BUTTONS	1	PC-ABS	BLACK	P6/TBC
5	MPP-0841P05*	BATTERY CAP	1	PC-ABS	BLACK	P7a/MT-11030
6	ORG-25X1.3N70	O-RING	1	NITRILE	BLACK	-
7	BAT-CR2354	CR2354 BATTERY	1	-	BLACK	-
8	SCRM2-6-PTPTBK	SCREW 2X6MM	4	STEEL	BLACK	-
9	LBL-0820P05*	LABEL	1	POLYESTER	N/A	-
10	PCB-0841AY1*	PCB ASSY	1	-	N/A	-

DATE OF PRINT	ISS	DATE	Cn No. (OR DESCRIPTION)	DRAWN	ENG'R	ISS	DATE	Cn No. (OR DESCRIPTION)	DRAWN	ENG'R
	A	16-07-21	FIRST ISSUE	LSP	LSP					
	B	16-12-21	ECN0841-04	LSP	LSP					
	C	04-03-22	ECN0841-05	IYM	LSP					
	D	28-06-22	ECN0841-11	IYM	AA					

ALL DIMENSION ARE IN mm UNLESS OTHERWISE STATED

TOLERANCES  
 NO DECIMAL PLACES + / - 0.5mm  
 1 DECIMAL PLACES + / - 0.2mm  
 2 DECIMAL PLACES + / - 0.1mm  
 ANGULAR TOLERANCES + / - 1.0 DEGREES U.O.S

MACHINING BURRS/MOULDING FLASH TO BE REMOVED  
 DO NOT SCALE DRAWING  
 PARTS ARE TO BE CLEAN AND DRY

**PEKTRON** IMPORTANT: CONFIDENTIALITY NOTICE

THIS DRAWING AND THE INFORMATION CONTAINED WITHIN IT ARE THE PROPERTY OF PEKTRON GROUP LIMITED AND MUST BE HELD IN STRICT CONFIDENCE BY THE RECIPIENT. THIS DRAWING IS SUPPLIED TO THE RECIPIENT FOR ILLUSTRATION PURPOSES ONLY. PEKTRON GROUP LIMITED OWNS THE COPYRIGHT IN THIS DRAWING AND NO COPY IS TO BE MADE EITHER IN PART OR IN HOLE WITHOUT WRITTEN PERMISSION OF PEKTRON GROUP LIMITED.

THIS DRAWING AND THE INFORMATION CONTAINED WITHIN IT:  
 1: MAY NOT UNDER ANY CIRCUMSTANCES BE DISCLOSED BY THE RECIPIENT TO ANY THIRD PARTY OTHER THAN THOSE EMPLOYEES OF THE RECIPIENT WHO NEED TO USE THIS DRAWING AND THE INFORMATION CONTAINED WITHIN IT STRICT CONFIDENCE; AND  
 2: SHOULD BE DESTROYED OR RETURNED UPON INSTRUCTION BY PEKTRON GROUP LIMITED. ANY PATENTS AND/OR DESIGN APPLICATIONS, REGISTERED DESIGNS, TOPOGRAPHY RIGHTS, DESIGN RIGHTS, OR COPYRIGHTS ARISING FROM THE USE OF THIS DRAWING AND/OR THE INFORMATION CONTAINED WITHIN IT SHALL BE CONSIDERED THE PROPERTY OF PEKTRON GROUP LIMITED.

TITLE		
SMART KEYFOB		
SCALE 1:1	MATERIAL	SEE TABLE
FRAME SIZE A2	FINISH	SEE TABLE
CHECKED L. PAPUC	APPROVED A. ASHBY	
DRG No:	0841G01D	