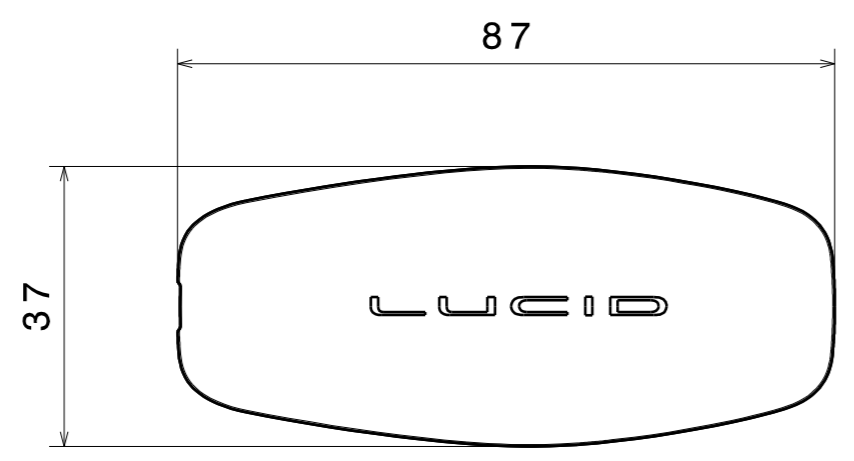


DRG No: 0820G01B

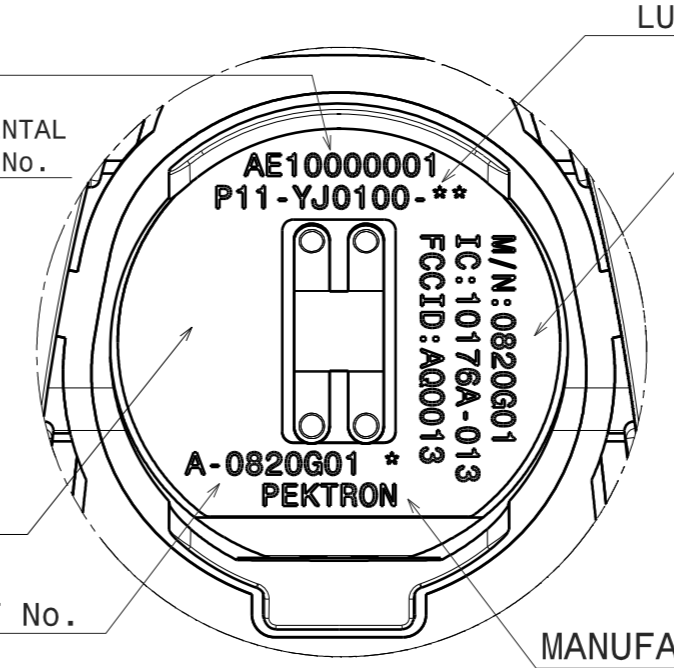
THIRD ANGLE



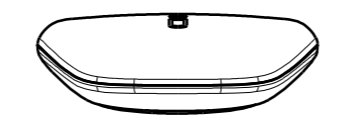
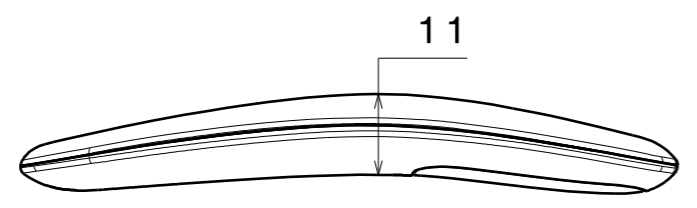
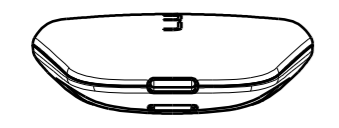
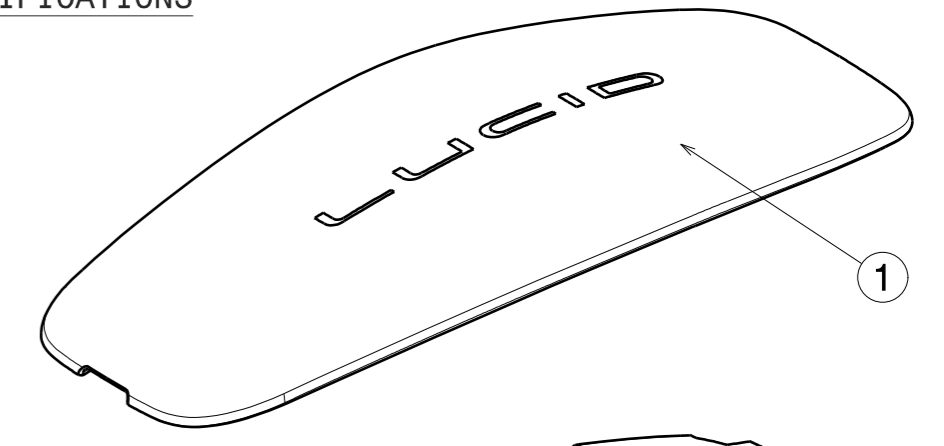
SERIAL No. / DATE CODE:  
e.g. A E 1 0000001

YEAR OF PRODUCTION  
A=21, B=22, C=23,  
D=24, E=25, F=26,  
G=27 etc

MONTH OF PRODUCTION:  
A=JAN, B=FEB, C=MAR,  
D=APR, E=MAY, F=JUN,  
H=JUL, J=AUG, K=SEP,  
L=OCT, M=NOV, N=DEC



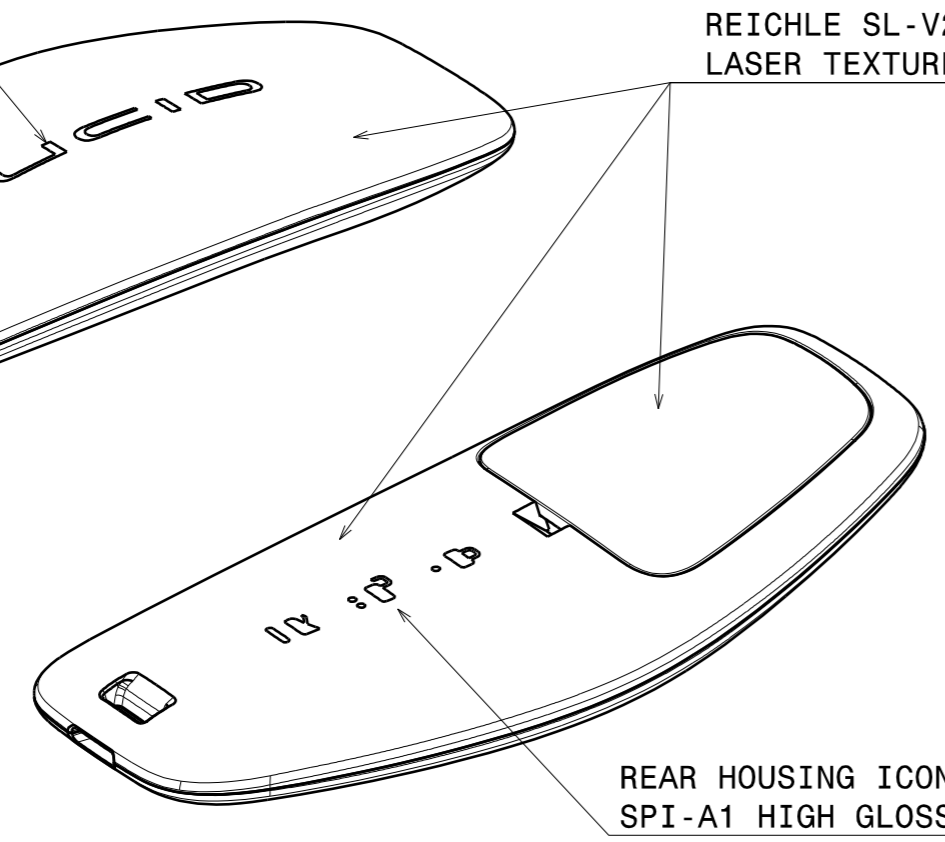
CERTIFICATIONS



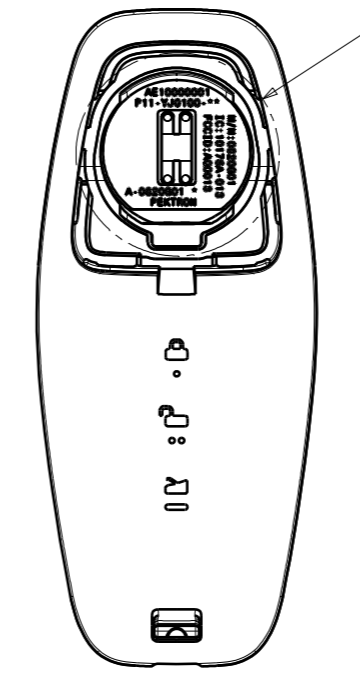
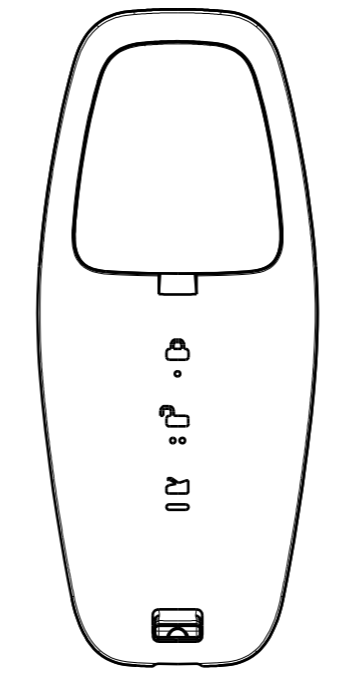
UPPER HOUSING LOGO  
SPI-A1 HIGH GLOSS

EXTERNAL SURFACES  
REICHL SL-V21  
LASER TEXTURE

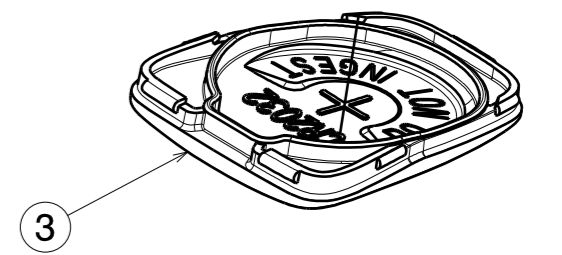
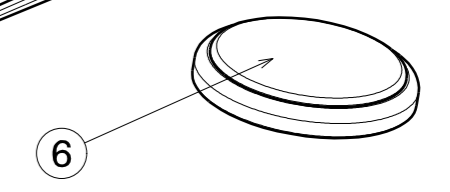
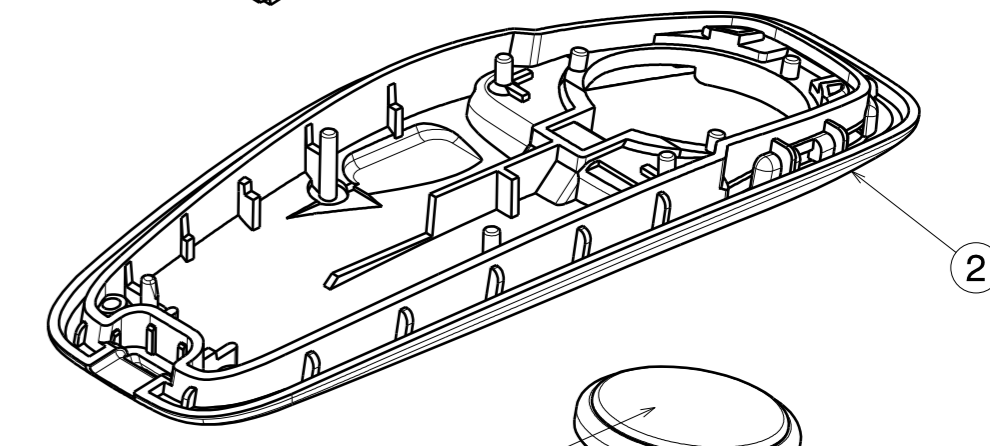
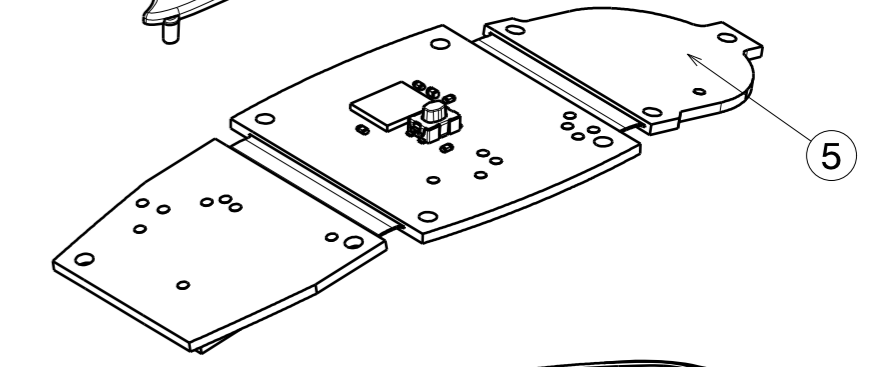
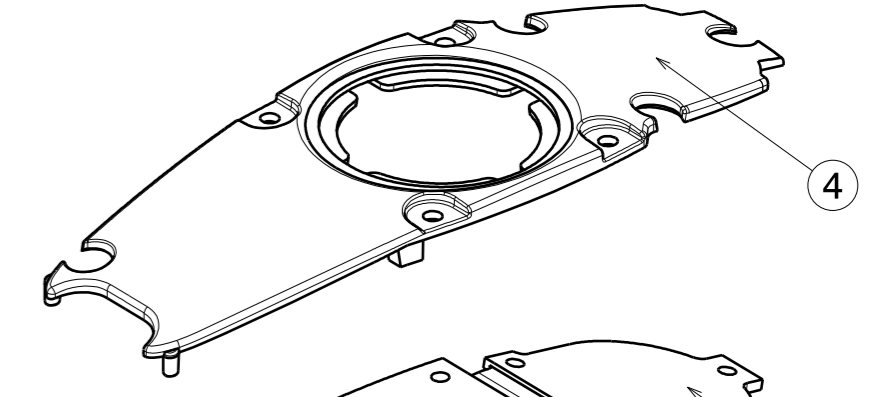
ISOMETRIC VIEWS  
NTS



REAR HOUSING ICONS  
SPI-A1 HIGH GLOSS



VIEW SHOWING  
BATTERY/COVER  
REMOVED



EXPLODED VIEW  
NTS

NOTES:

1. PEKTRON PRODUCT DESIGN SPECIFICATION: PDS0820-01
2. PART TO BE INSPECTED AGAINST "0820 CQP - LUCID AIR SMART KEY" LATEST ISSUE
3. WEIGHT APPROX. 0.022Kg
4. ALL MATERIAL USED IN THE MANUFACTURE OF THIS PART RoHS COMPLIANT. PART COMPLIANT WITH END OF LIFE VEHICLES DIRECTIVE (2000-53-EC).
5. \* INDICATES THE LATEST ISSUE LEVEL

ITEM	PEKTRON PART No.	DESCRIPTION	QTY	MATERIAL	FINISH
6	BAT-CR2032	3V CR2032 LITHIUM CELL	1	REFER TO MANUFACTURERS DATA	
5	PCB-0820AY1	SMART KEY, PCB SUB ASSEMBLY	1	1.0mm FR4 LAMINATE	NICKEL GOLD, FLEX-RIGID
4	MPP-0820P04	SMART KEY, INTERNAL SPACER	1	>PA-GF<	UNFINISHED BLACK
3	MPP-0794P03	SMART KEY, BATTERY COVER	1	>PA12<	BLACK, LASER ABSORBING EXTERNAL SURFACES: REICHL SL-V21 LASER TEXTURE
2	MPP-0820P02	SMART KEY, LOWER HOUSING	1	HOUSING >PA12< SEAL OVER MOULD >TPE<	BLACK, LASER ABSORBING EXTERNAL SURFACES: REICHL SL-V21 LASER TEXTURE ICONS: SPI-A1 HIGH GLOSS
1	MPP-0820P01	SMART KEY, UPPER HOUSING	1	>PA12<	BLACK, LASER TRANSMISSIVE EXTERNAL SURFACES: REICHL SL-V21 LASER TEXTURE LOGO: SPI-A1 HIGH GLOSS
					BILL OF MATERIALS

DATE OF PRINT	ISS	DATE	Cn No. (OR DESCRIPTION)	DRAWN	ENG'R	ISS	DATE	Cn No. (OR DESCRIPTION)	DRAWN	ENG'R
	A	05.10.20	FIRST ISSUE	GP	RH					
	B	20.04.21	ECN0820-21	GP	RH					

ALL DIMENSION ARE IN mm UNLESS OTHERWISE STATED

TOLERANCES  
NO DECIMAL PLACES + / - 0.5mm  
1 DECIMAL PLACES + / - 0.2mm  
2 DECIMAL PLACES + / - 0.1mm  
ANGULAR TOLERANCES + / - 1.0 DEGREES U.O.S

MACHINING BURRS/MOULDING FLASH TO BE REMOVED  
DO NOT SCALE DRAWING  
PARTS ARE TO BE CLEAN AND DRY

**PEKTRON** IMPORTANT: CONFIDENTIALITY NOTICE

THIS DRAWING AND THE INFORMATION CONTAINED WITHIN IT ARE THE PROPERTY OF PEKTRON GROUP LIMITED AND MUST BE HELD IN STRICT CONFIDENCE BY THE RECIPIENT. THIS DRAWING IS SUPPLIED TO THE RECIPIENT FOR ILLUSTRATION PURPOSES ONLY. PEKTRON GROUP LIMITED OWNS THE COPYRIGHT IN THIS DRAWING AND NO COPY IS TO BE MADE EITHER IN PART OR IN HOLE WITHOUT WRITTEN PERMISSION OF PEKTRON GROUP LIMITED.

THIS DRAWING AND THE INFORMATION CONTAINED WITHIN IT:  
1: MAY NOT UNDER ANY CIRCUMSTANCES BE DISCLOSED BY THE RECIPIENT TO ANY THIRD PARTY OTHER THAN THOSE EMPLOYEES OF THE RECIPIENT WHO NEED TO USE THIS DRAWING AND THE INFORMATION CONTAINED WITHIN IT STRICT CONFIDENCE; AND  
2: SHOULD BE DESTROYED OR RETURNED UPON INSTRUCTION BY PEKTRON GROUP LIMITED. ANY PATENTS AND/OR DESIGN APPLICATIONS, REGISTERED DESIGNS, TOPOGRAPHY RIGHTS, DESIGN RIGHTS, OR COPYRIGHTS ARISING FROM THE USE OF THIS DRAWING AND/OR THE INFORMATION CONTAINED WITHIN IT SHALL BE CONSIDERED THE PROPERTY OF PEKTRON GROUP LIMITED.

TITLE		
SMART KEY		
SCALE 1:1	MATERIAL	REFER TO PARTS LIST
FRAME SIZE A2	FINISH	REFER TO PARTS LIST
CHECKED A. ASHBY	APPROVED R. HEESOM	
DRG No:		0820G01B