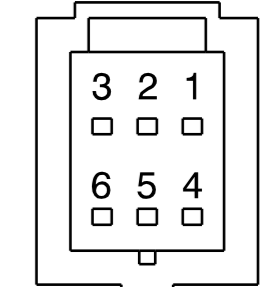


DRG No: 0819G06B

VEHICLE INTERFACE  
 CN1 = JST 06T-JWPF-VSLE-D  
 VIEW INTO FACE OF CONNECTOR  
 S = STRIPE WIRE

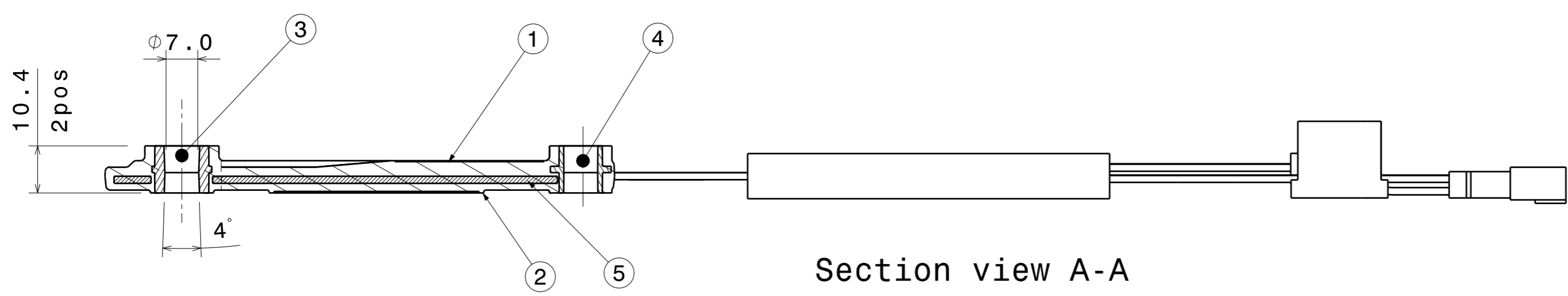
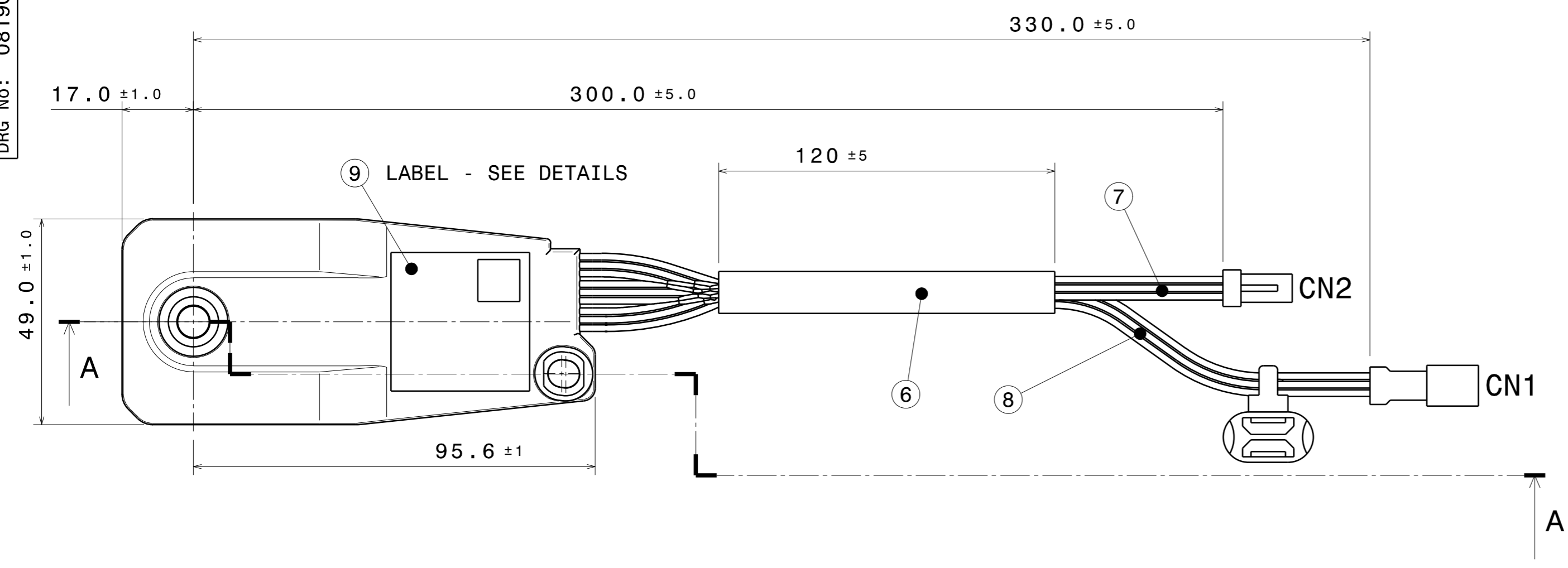
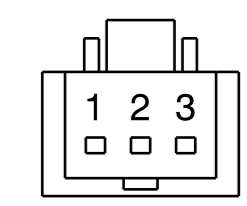


PIN	SIGNAL
1 S	POWER/ADDRESS 1
2	POWER/ADDRESS 3
3	POWER/ADDRESS 2
4 S	CAN-FD HIGH
5	CAN-FD LOW
6	GND



LF ANTENNA INTERFACE  
 CN2 = JST 03R-JWPF-VSLE-S  
 VIEW INTO FACE OF CONNECTOR  
 S = STRIPE WIRE

PIN	SIGNAL
1 S	LF ANTENNA CONN. 1
2	NOT CONNECTED
3	LF ANTENNA CONN. 2



Section view A-A

DATA MATRIX

LUCID PART NUMBER

DATE CODE AND SERIAL NUMBER - REF NOTE 5

PEKTRON PART NUMBER

**LUCID**

SECURITY NODE REAR

P11-J31700-\*\*

AB1000022

FCC ID:AQ0012

IC ID:10176A-012

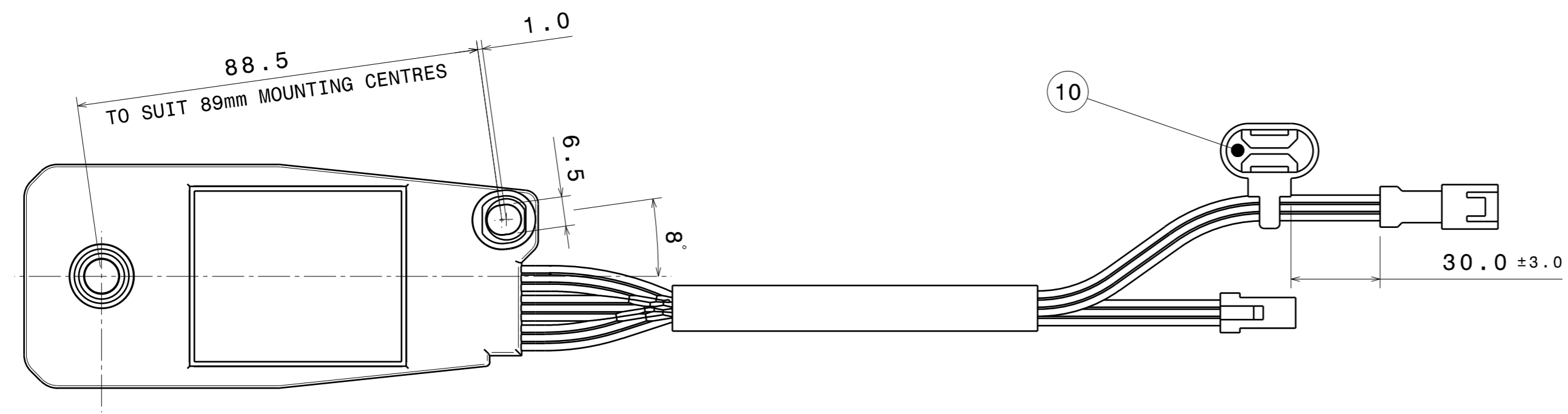
A-0819G06\*

CERTIFICATION AREA

LABEL DETAILS

- NOTES:
- COMPLIES WITH PEKTRON PRODUCT DESIGN SPECIFICATION: PDS0819-20
  - WEIGHT APPROX. 55g
  - PART COMPLIANT WITH END OF LIFE VEHICLES DIRECTIVE (2000-53-EC). ALL MATERIAL USED IN THE MANUFACTURE OF THIS PART RoHS COMPLIANT
  - EACH B PILLAR NODE IS SUPPLIED WITH A 6 WAY EXTENSION HARNESS, TO MATE WITH CN1. REFER TO DRAWING SHEET 2.
  - DATE EXAMPLE A B 1000022 A = PRODUCTION YEAR, A=2021, B=2022 etc B = PRODUCTION MONTH A=JAN, B=FEB, C=MAR, D=APR etc, 1 = TEST SET ID NUMBER 000022 = UNIT SERIAL NUMBER
  - \* INDICATES THE LATEST ISSUE LEVEL

ITEM	PART NUMBER	DESCRIPTION	QTY	MATERIAL	COLOUR
1	MPP-0819P15*	OVERMOULD 1 - G05	1	TPE	BLACK
2	MPP-0819P16*	OVERMOULD 2	1	TPE	BLACK
3	MPP-0819P13*	COMP LIMITER	1	30%GF PA	BLACK
4	MPP-0819P14*	COMP LIMITER	1	30%GF PA	BLACK
5	PCB-0819AY2*	G05 POPULATED PCB	1	FR4	-
6	SLV-PVC10	SLEEVING	1	PVC	BLACK
7	HAR-0819P06*	3 WAY HARNESS	1	SEE PART DWG	-
8	HAR-0819P05*	6 WAY HARNESS	1	SEE PART DWG	-
9	LBL-0819P18*	LABEL	1	POLYESTER	WHITE
10	TYR-157-00037	TIE WRAP	1	PA	BLACK



DATE OF PRINT	ISS	DATE	Cn No. (OR DESCRIPTION)	DRAWN	ENG'R	ISS	DATE	Cn No. (OR DESCRIPTION)	DRAWN	ENG'R
	A	10.09.20	FIRST ISSUE	CB	PL					
	B	12.04.21	ECN0819-39 LABEL DETAIL	CB	CB					

ALL DIMENSION ARE IN mm UNLESS OTHERWISE STATED

TOLERANCES  
 NO DECIMAL PLACES + / - 0.5mm  
 1 DECIMAL PLACES + / - 0.2mm  
 2 DECIMAL PLACES + / - 0.1mm  
 ANGULAR TOLERANCES + / - 1.0 DEGREES U.O.S

MACHINING BURRS/MOULDING FLASH TO BE REMOVED  
 DO NOT SCALE DRAWING  
 PARTS ARE TO BE CLEAN AND DRY

IMPORTANT: CONFIDENTIALITY NOTICE

THIS DRAWING AND THE INFORMATION CONTAINED WITHIN IT ARE THE PROPERTY OF PEKTRON GROUP LIMITED AND MUST BE HELD IN STRICT CONFIDENCE BY THE RECIPIENT. THIS DRAWING IS SUPPLIED TO THE RECIPIENT FOR ILLUSTRATION PURPOSES ONLY. PEKTRON GROUP LIMITED OWNS THE COPYRIGHT IN THIS DRAWING AND NO COPY IS TO BE MADE EITHER IN PART OR IN HOLE WITHOUT WRITTEN PERMISSION OF PEKTRON GROUP LIMITED.

THIS DRAWING AND THE INFORMATION CONTAINED WITHIN IT:  
 1: MAY NOT UNDER ANY CIRCUMSTANCES BE DISCLOSED BY THE RECIPIENT TO ANY THIRD PARTY OTHER THAN THOSE EMPLOYEES OF THE RECIPIENT WHO NEED TO USE THIS DRAWING AND THE INFORMATION CONTAINED WITHIN IT STRICT CONFIDENCE; AND  
 2: SHOULD BE DESTROYED OR RETURNED UPON INSTRUCTION BY PEKTRON GROUP LIMITED. ANY PATENTS AND/OR DESIGN APPLICATIONS, REGISTERED DESIGNS, TOPOGRAPHY RIGHTS, DESIGN RIGHTS, OR COPYRIGHTS ARISING FROM THE USE OF THIS DRAWING AND/OR THE INFORMATION CONTAINED WITHIN IT SHALL BE CONSIDERED THE PROPERTY OF PEKTRON GROUP LIMITED.

TITLE			
REAR SECURITY NODE		SCALE NTS	SEE PARTS LIST
FRAME SIZE A2	FINISH	SEE PARTS	
CHECKED A. Ashby	APPROVED C. Beal		
DRG No:		0819G06B	