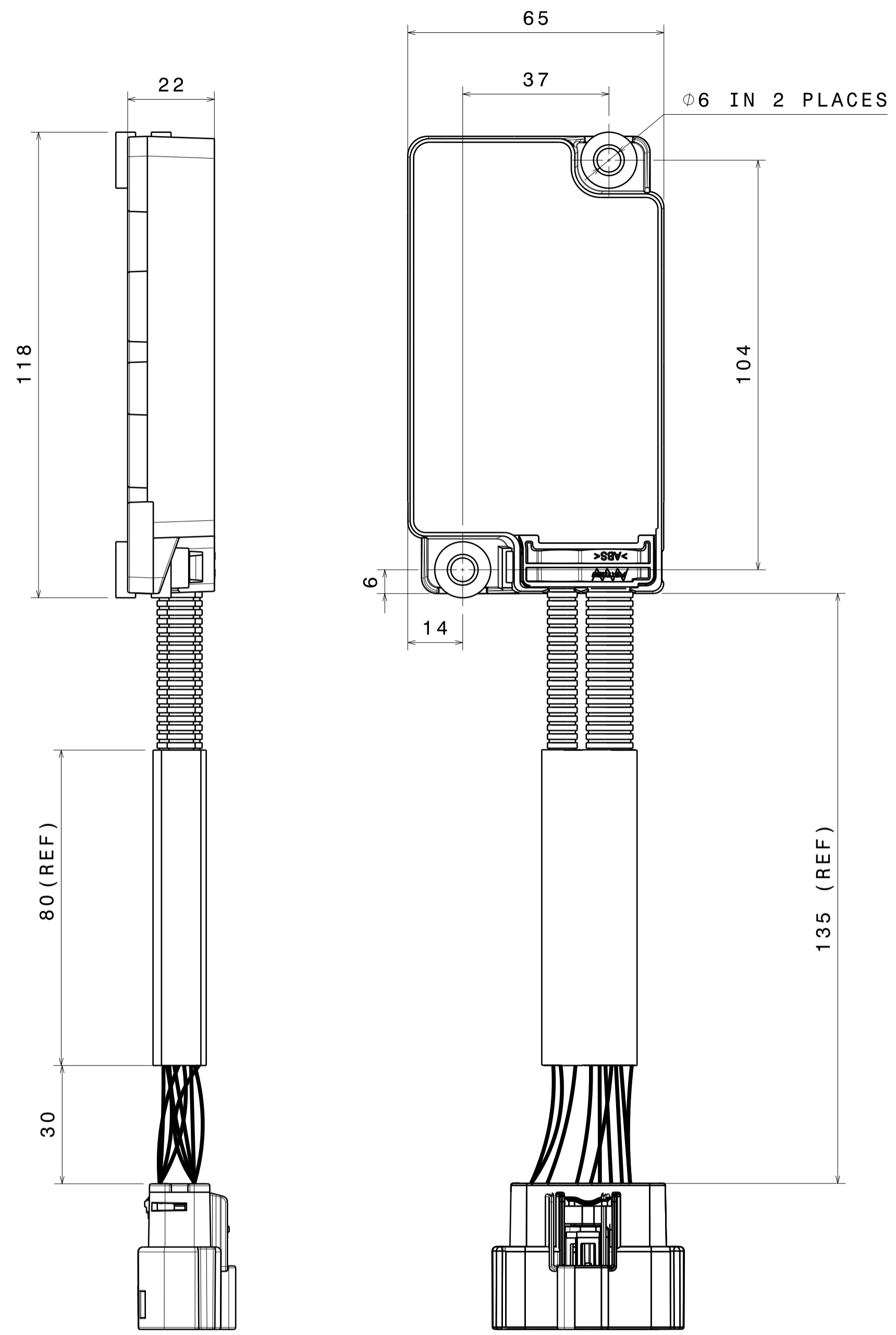
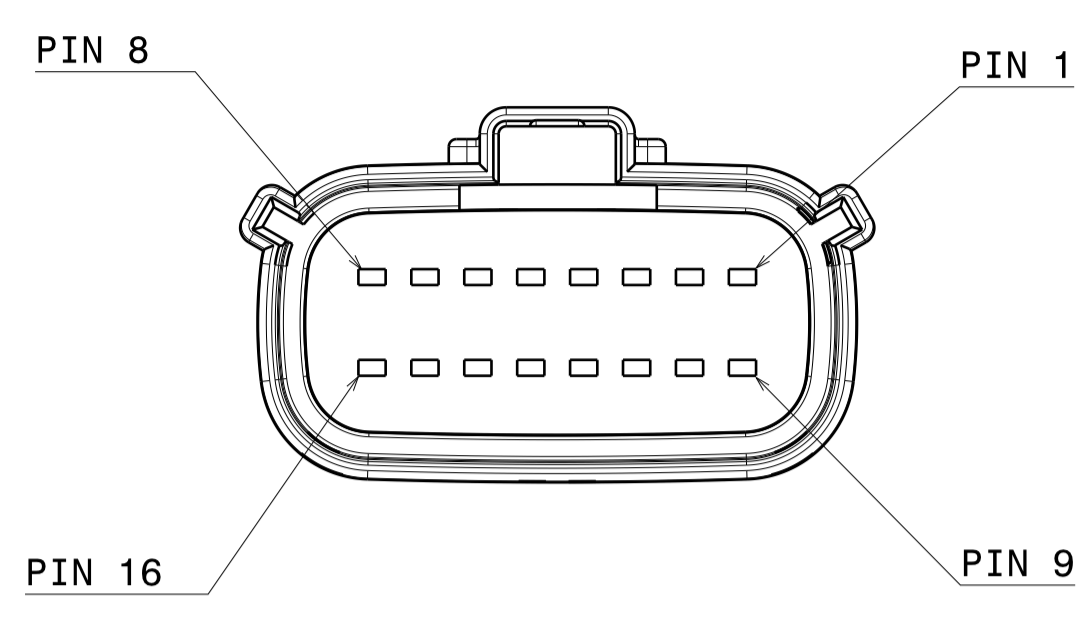


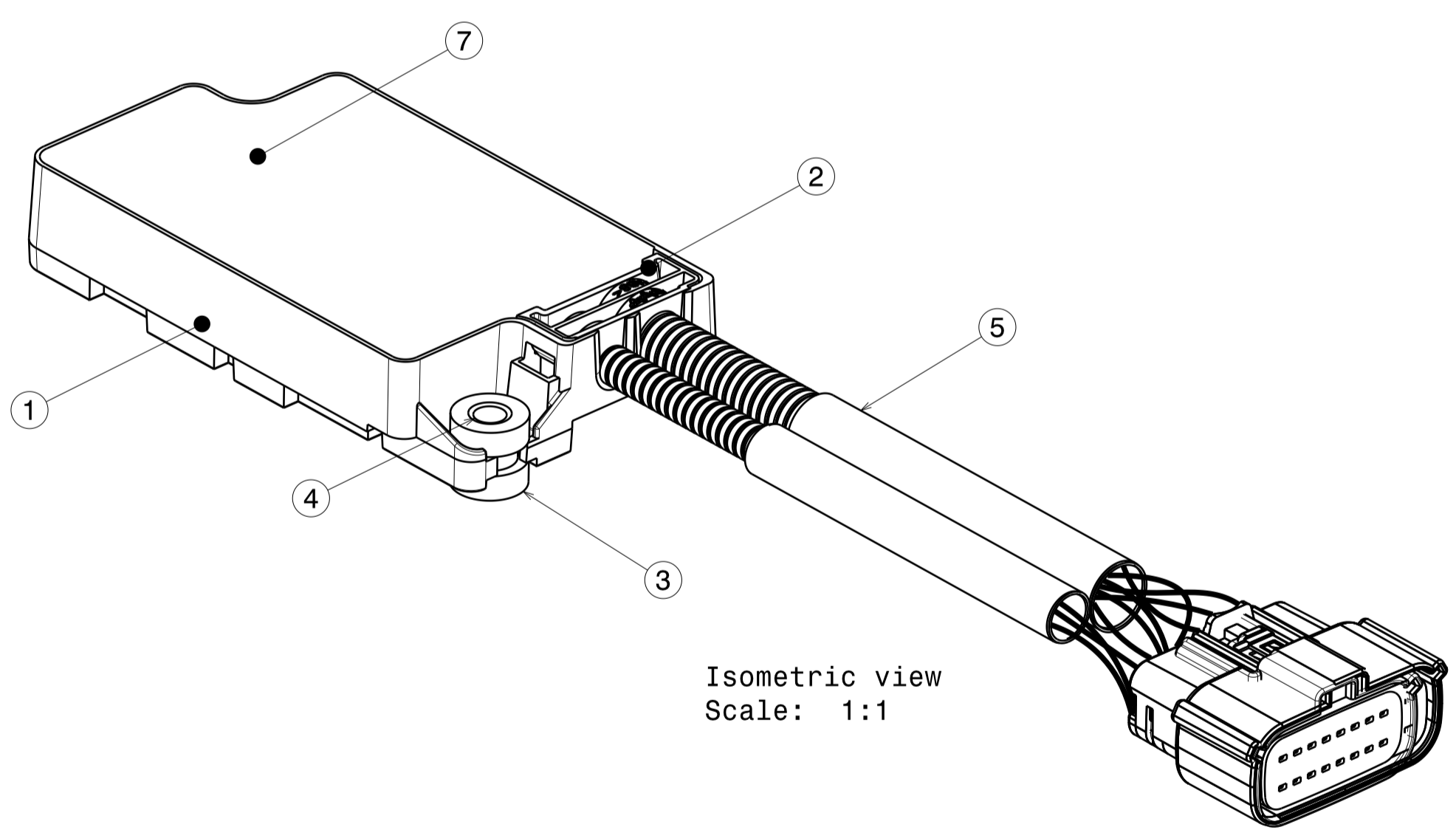
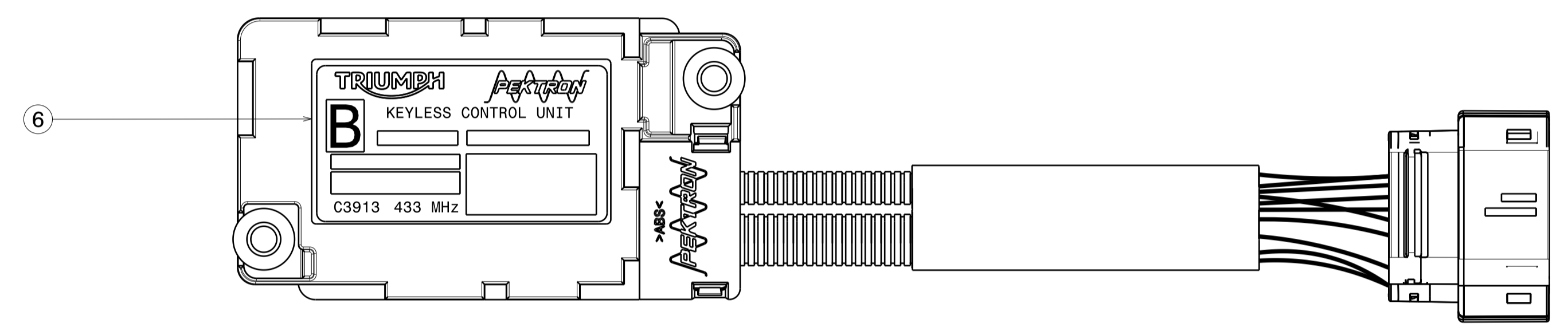
DRG No.: 0787G03B



Front view
Scale: 2:1

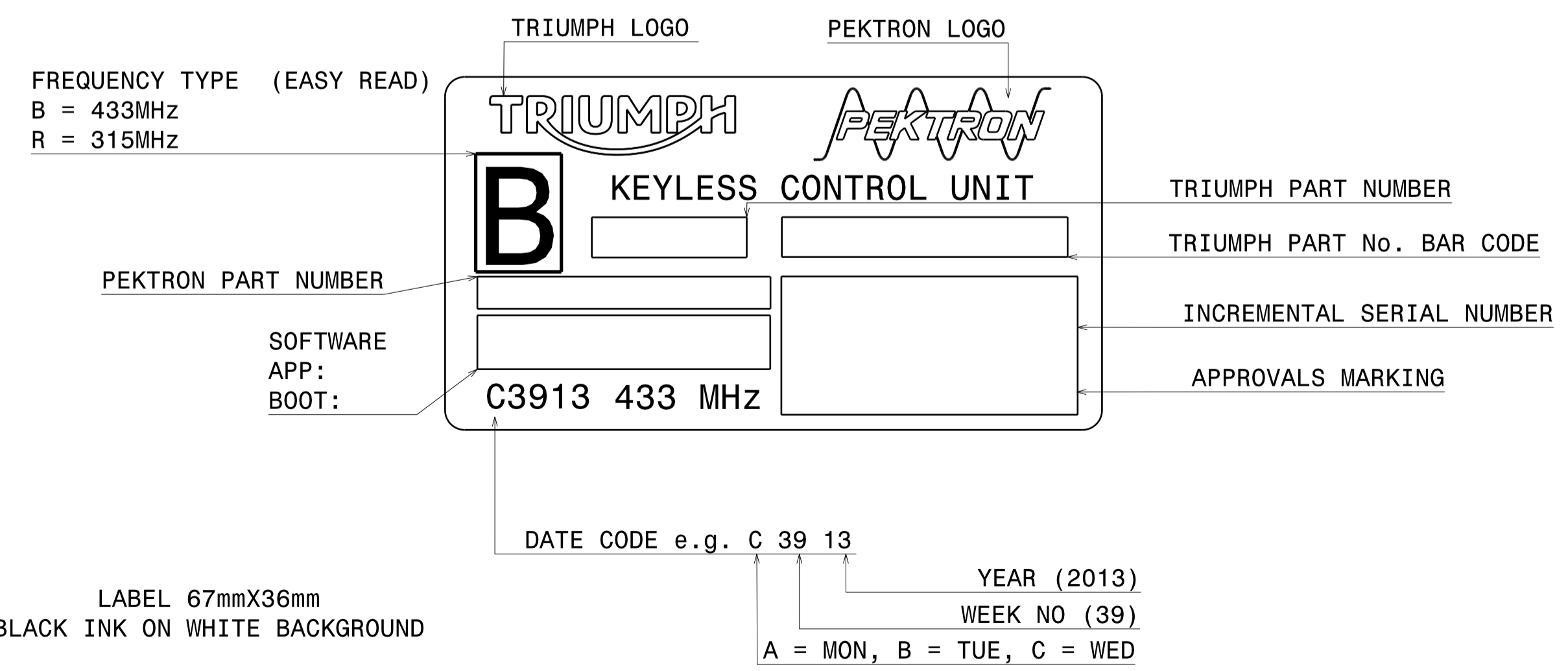


PIN NUMBER	SIGNAL	WIRE COLOUR	COMMENTS
1	TANK FLAP SOLENOID	GREY	
2	KL 15 RELAY	GREEN	
3	ON/OFF SWITCH	PINK	
4	GND	BLACK	
5	CAN-L	BLUE	
6	LF ANTENNA 1	WHITE	
7	-	-	BLANKING PLUG FITTED
8	LF ANTENNA 2	YELLOW	
9	WAKE-UP	PURPLE	
10	LOCK SWITCH	GREEN/WHITE	
11	START SWITCH	PURPLE/WHITE	
12	KL 30	BROWN	
13	CAN-H	RED	
14	LF ANTENNA SCREEN GND	ORANGE	
15	-	-	BLANKING PLUG FITTED
16	-	-	BLANKING PLUG FITTED



Isometric view
Scale: 1:1

ITEM	QTY	PART NUMBER	DESCRIPTION	MATERIAL
1	1	MPP-0787P01*	CASE	ABS
2	1	MPP-0787P02*	CLIP	ABS
3	2	RUB-0787P05*	RUBBER BUSH	RUBBER
4	2	MWK-0787P06*	BUSH INSERT	STEEL
5	1	HAR-0787P04*	HARNESS	
6	1	LBL-BLANK-36X67	LABEL	
7	1		POTTING	



- NOTES:
- PRODUCT COMPLIANT WITH:
 - PEKTRON PRODUCT DESIGN SPECIFICATION REF: PDS-787-*
 - TRIUMPH SPECIFICATION: 'S5268 Issue *'
 - KCU IO List V*.XLS
 - '*' DENOTES LATEST ISSUE
 - WEIGHT 260g +/- 5%
 - ALL PARTS TO CONFORM TO ENVIRONMENTAL AND ENDURANCE REQUIREMENTS OF DVP SPECIFICATION " 0787 - Validation Matrix Issue 1.* "
 - DESIGN CHANGES AFFECTING QUALITY, DURABILITY, COST, WEIGHT, FUNCTION OR PROCESSING OF THE PART PREVIOUSLY APPROVED FOR PRODUCTION REQUIRE PRIOR APPROVAL FROM TRIUMPH PRODUCT ENGINEERING
 - ASSEMBLED UNIT TO MEET IP67
 - POTTING LEVEL APPROX. 2mm FROM TOP SURFACE

ISS	DATE	CH No. (OR DESCRIPTION)	DRAWN	ENG'R	ISS	DATE	CH No. (OR DESCRIPTION)	DRAWN	ENG'R
A	18/03/16	INITIAL RELEASE	MG	IM					
B	24/03/17	ECN0787-09	MG	IM					

DATE OF PRINT		ALL DIMENSIONS ARE IN mm UNLESS OTHERWISE STATED		TOLERANCES: NO DECIMAL PLACES +/- 0.5mm 1 DECIMAL PLACE +/- 0.2mm 2 DECIMAL PLACES +/- 0.1mm ANGULAR TOLERANCES +/- 1.0 DEGREES U.O.S.		MACHINING BURRS/MOULDING FLASH TO BE REMOVED DO NOT SCALE DRAWING PARTS ARE TO BE CLEAN AND DRY		IMPORTANT: CONFIDENTIALITY NOTICE This drawing and the information contained within it are the property of Pektron Group Limited and must be held in strict confidence by the recipient. This drawing is supplied to the recipient for information purposes only. Pektron Group Limited and the copyright in this drawing are to be held by the maker without the written permission of Pektron Group Limited. This drawing and the information contained within it are the property of the recipient and the recipient is to hold any such employees to retain such information in strict confidence. Any person who discloses, registers, designs, designs rights, or copyright arising from the use of this drawing and/or the information contained within it shall be considered the property of Pektron Group Limited.	
TITLE		KEYLESS CONTROL UNIT 16way 433MHz		DRAWING SCALE		MATERIAL		-	
SIZE		A1		FINISH		-		CHECKED	
G. POPE		APPROVED		I. MARRIOT		DRG No:		0787G03B	