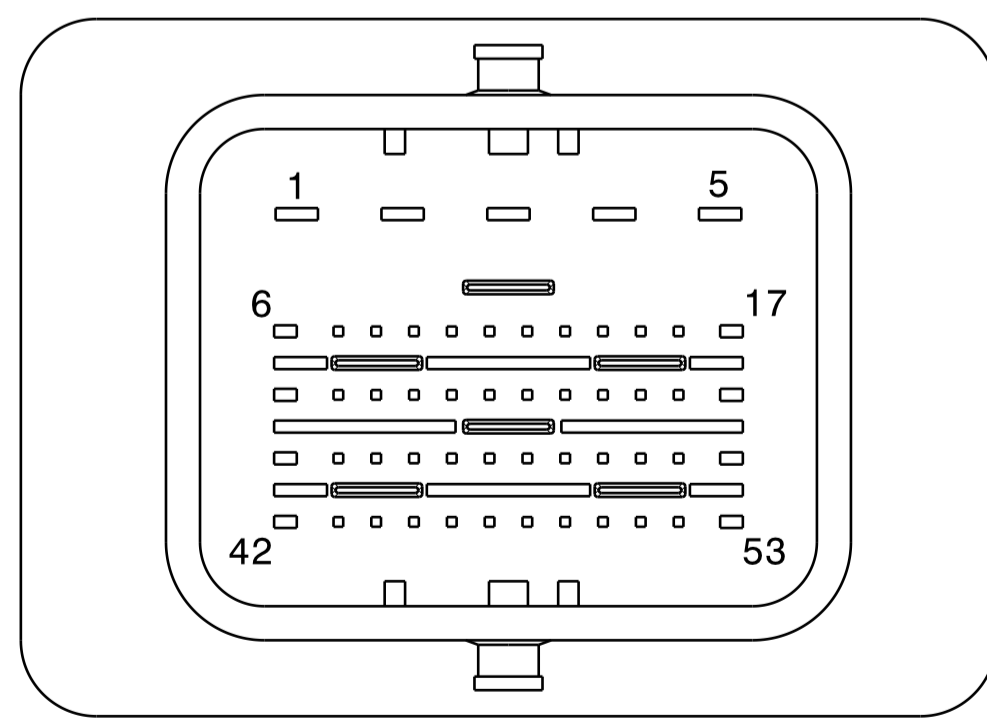
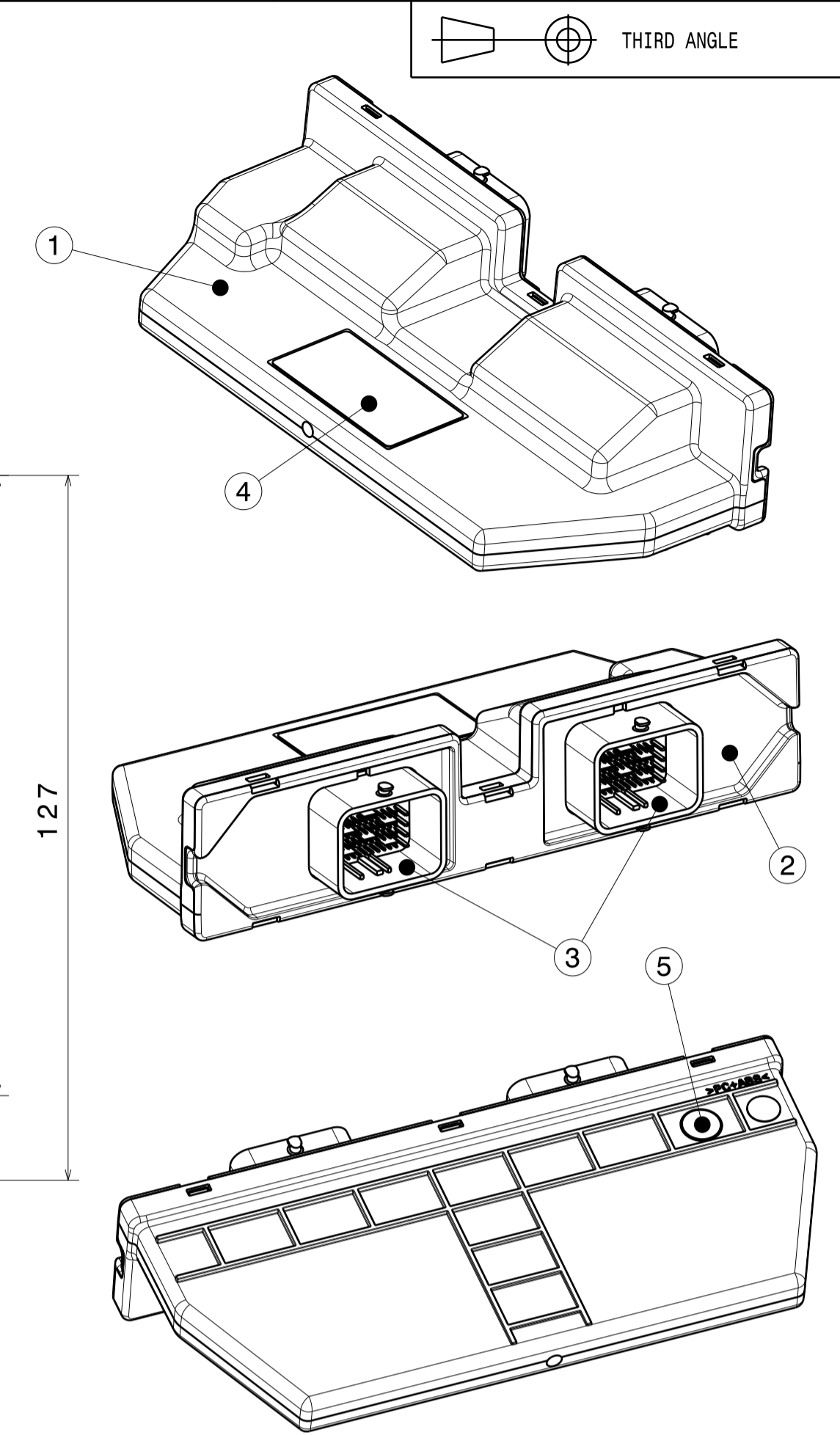
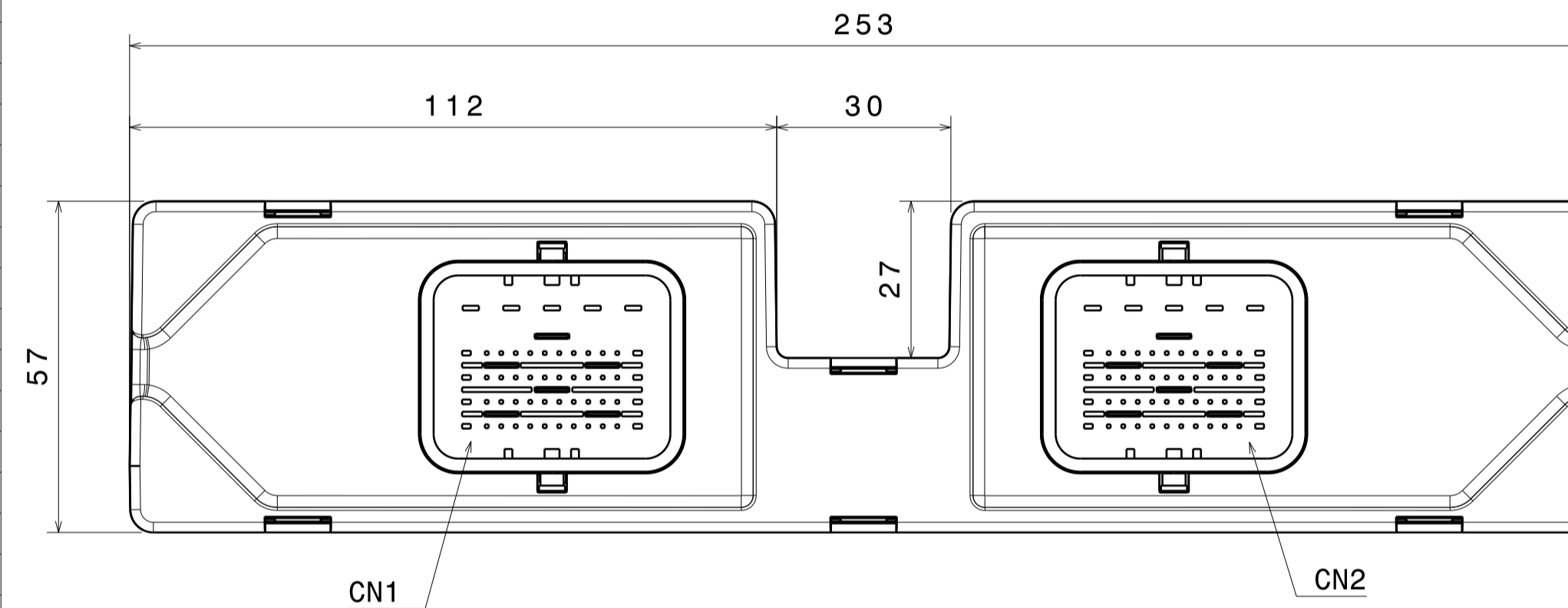
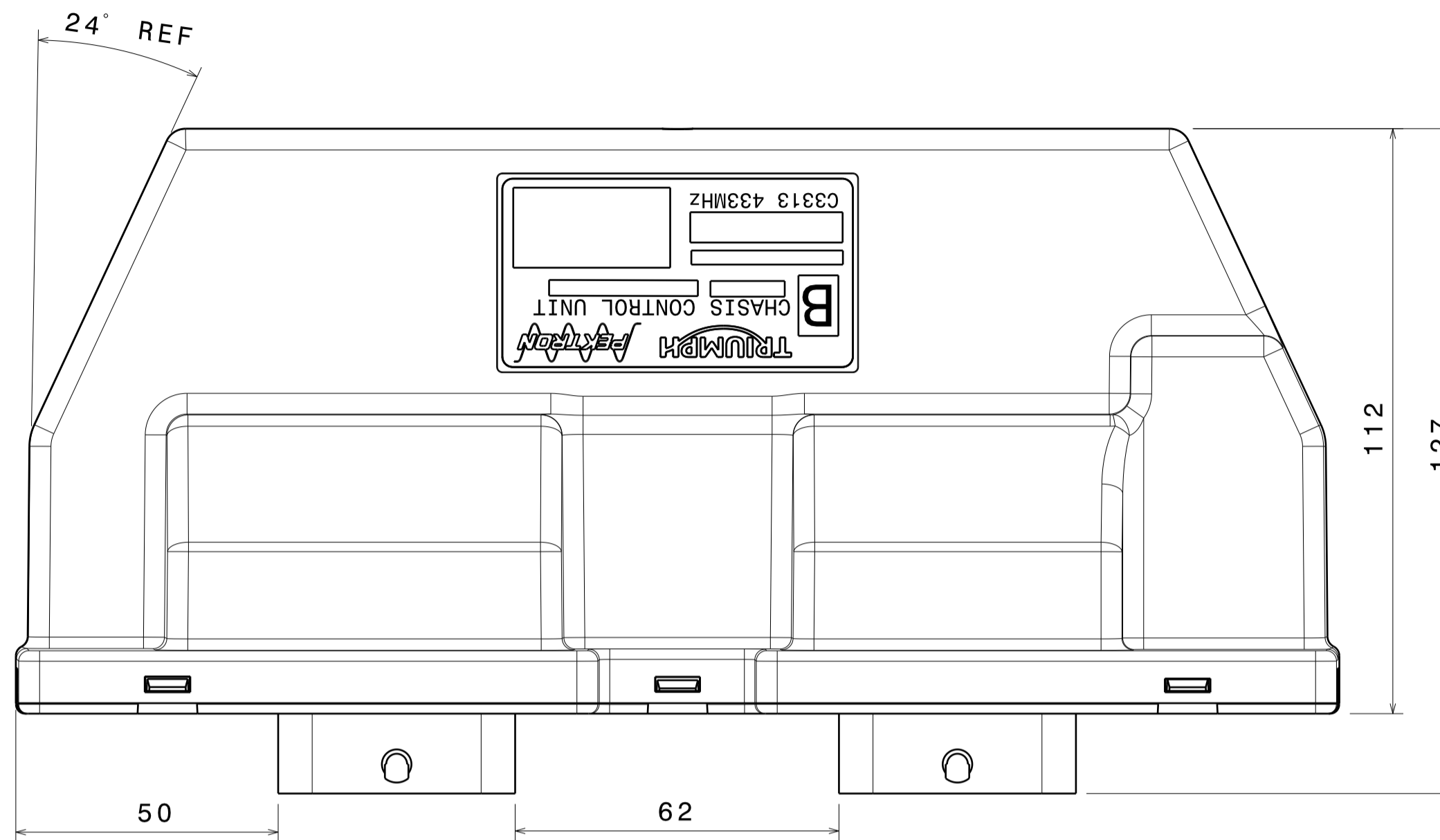
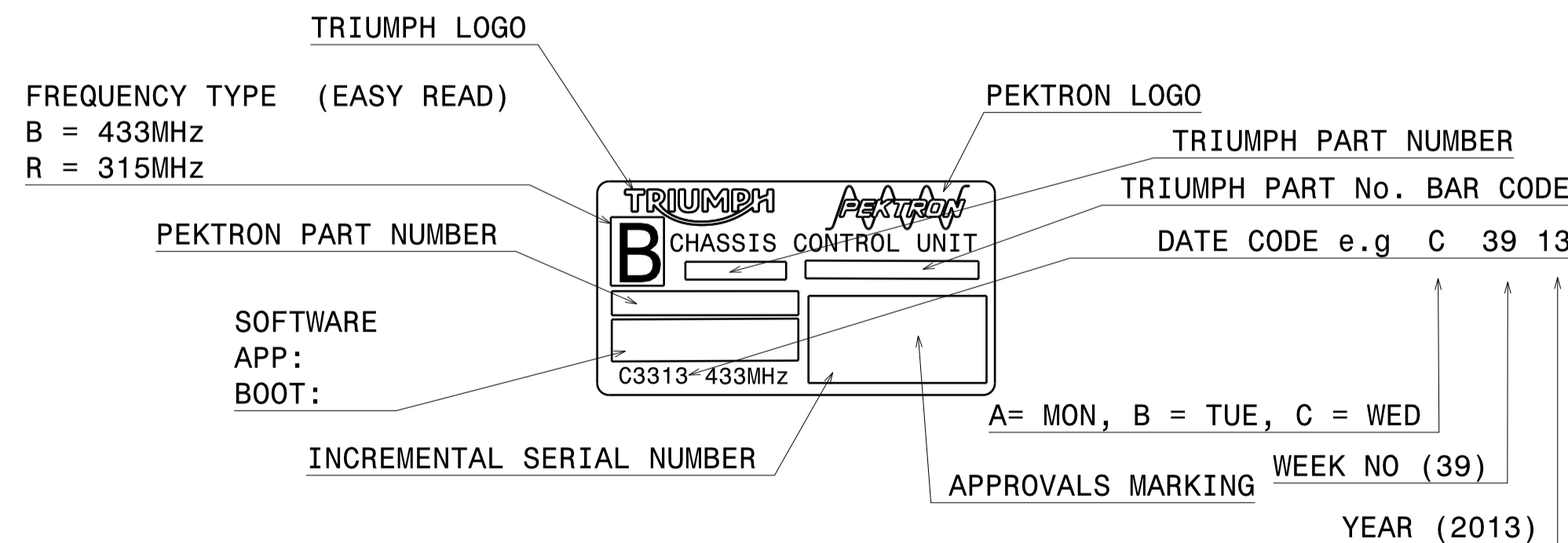


CN1-01	POWER IN (PS1)
CN1-02	POWER IN (PS2)
CN1-03	-
CN1-04	GROUND
CN1-05	GROUND
CN1-06	Headlamps - high beam, right
CN1-07	CAN +
CN1-08	CAN -
CN1-09	Brake Light
CN1-10	Front Position light
CN1-11	Front LH Damping Adjustment (Compression) A1
CN1-12	Front LH Damping Adjustment (Compression) A2
CN1-13	Not Used / Ignition 2
CN1-14	Not Used / Ignition 1
CN1-15	Sensor Return
CN1-16	5V Sensor Supply
CN1-17	Cooling Fan 1
CN1-18	Headlamps - low beam, right
CN1-19	Direction Indicator (right front)
CN1-20	Direction Indicator (right rear)
CN1-21	-
CN1-22	-
CN1-23	-
CN1-24	Fork position sensor signal (semi active)
CN1-25	-
CN1-26	Swingarm position sensor signal (semi active)
CN1-27	DC Motor #1 Hall Sensor 1
CN1-28	Ambient Temperature Sensor
CN1-29	Horn
CN1-30	Headlamps - high beam, left
CN1-31	Direction Indicator (left front)
CN1-32	Direction Indicator (left rear)
CN1-33	-
CN1-34	-
CN1-35	-
CN1-36	DC Motor #2 Hall Sensor 1
CN1-37	KILL SWITCH STATUS
CN1-38	Alarm Immo Tracker Driver
CN1-39	Ignition Sidelights/ Starter Switch
CN1-40	Ignition on Status / Power Switch
CN1-41	DC Motor #1 (Screen) -ve
CN1-42	Headlamps - low beam, left
CN1-43	Rear Position light
CN1-44	Partial Wake-Up (INST) Power Latch / Partial Wake-Up (INST) Power Latch, Steering Lock (WAKE)
CN1-45	-
CN1-46	-
CN1-47	Front LH Damping Adjustment (Compression) B1
CN1-48	Front LH Damping Adjustment (Compression) B2
CN1-49	-
CN1-50	LF Antenna A Screen GND (IMMO)
CN1-51	LF Antenna A 2 (IMMO)
CN1-52	LF Antenna A 1 (IMMO)
CN1-53	DC Motor #1 (Screen) +ve

CN2-01	POWER IN (PS3)
CN2-02	POWER IN (PS4)
CN2-03	POWER IN (PS5)
CN2-04	DC Motor #2 (Preload) -ve
CN2-05	DC Motor #2 (Preload) +ve
CN2-06	Starter Motor Solenoid
CN2-07	Suspension Solenoid #2 (Rear Rebound Damping) -ve
CN2-08	Suspension Solenoid #2 (Rear Rebound Damping) +ve
CN2-09	Front RH Damping Adjustment (Rebound) A2
CN2-10	Front RH Damping Adjustment (Rebound) A1
CN2-11	Accessory Power #1 Front (glove box)
CN2-12	Fog Lamps (left and right)
CN2-13	Heated Grips Left (Power)
CN2-14	Heated Seat front
CN2-15	Heated Grips Right (Power)
CN2-16	Heated Seat rear
CN2-17	Accessory Power #4 Back (top box)
CN2-18	Fuel Pump +ve
CN2-19	Heated Seat front power status high
CN2-20	Heated Seat front power status low
CN2-21	Heated grips (decrease) microswitch
CN2-22	Heated grips (increase) microswitch
CN2-23	Front RH Damping Adjustment (Rebound) B1
CN2-24	Front RH Damping Adjustment (Rebound) B2
CN2-25	Heated Seat rear power status low
CN2-26	Heated Seat rear power status high
CN2-27	Hazard Warning Light Microswitch
CN2-28	Rear Brake switch NC
CN2-29	Accessory Power #6
CN2-30	Fuel Pump -ve
CN2-31	Main beam microswitch
CN2-32	Pass microswitch
CN2-33	Fog lamps microswitch
CN2-34	Horn microswitch
CN2-35	-
CN2-36	-
CN2-37	-
CN2-38	DC Motor #1 Home proximity switch
CN2-39	Starter Motor Switch/ Lock Switch
CN2-40	Front Brake switch NO
CN2-41	Accessory Power #5
CN2-42	-
CN2-43	Momentary function change (menu or screen)
CN2-44	Momentary SELECT (menu)
CN2-45	Momentary DOWN (menu or screen)
CN2-46	Momentary UP (menu or screen)
CN2-47	Momentary MODE button
CN2-48	Momentary Indicator CANCEL
CN2-49	Momentary Indicator RIGHT
CN2-50	Momentary Indicator LEFT
CN2-51	-
CN2-52	UHF Aerial
CN2-53	Accessory Power #3 Back (pillion)



PIN NUMBERING FOR CN1 & CN2
"MOLEX 98997-1002" CMC SEALED CONNECTOR



LABEL (36mmX67mm)
BLACK INK ON WHITE BACKGROUND

NOTES:

- PRODUCT COMPLIANT WITH:
 - PEKTRON PRODUCT DESIGN SPECIFICATION REF: PDS0771-**
 - TRIUMPH SPECIFICATIONS:
 - S5068#**** (GENERAL FUNCTIONAL SPECIFICATION)
 - S5167#**** (IMMOBILISER FUNCTIONALITY)
 - S5267#**** (KEYLESS IMMOBILISER FUNCTIONALITY)
- ** DENOTES LATEST ISSUE
- WEIGHT 432g ± 5%
- ALL PARTS TO CONFORM TO ENVIRONMENTAL AND ENDURANCE REQUIREMENTS OF DVP SPECIFICATION "0771-Validation Matrix Issue 1.*"
- DESIGN CHANGES AFFECTING QUALITY, DURABILITY, COST, WEIGHT, FUNCTION OR PROCESSING OF THE PART PREVIOUSLY APPROVED FOR PRODUCTION REQUIRE PRIOR APPROVAL FROM TRIUMPH PRODUCT ENGINEERING
- ASSEMBLED UNIT TO MEET IP67

ITEM	PART NUMBER	DESCRIPTION	MATERIAL	FINISH/COLOUR
1	MPP-0771P01*	HOUSING	CYCOLOY C2950 (ABS+PC)	NATURAL/BLACK
2	MPP-0771P02*	CLOSING PLATE	CYCOLOY C2950 (ABS+PC)	NATURAL/BLACK
3	CON-98997-1002	CONNECTOR	PBT-SAN-GF30	BLACK
4	LBL-BLANK-36X67	LABEL	PAPER	-
5	LBL-0605P11A	VENT PATCH	MICROPOROUS PTFE	WHITE

ISS	DATE	CH No. (OR DESCRIPTION)	DRAWN	ENG'R	ISS	DATE	CH No. (OR DESCRIPTION)	DRAWN	ENG'R
A	25-07-16	DRAWING RELEASE	AA	IM					

ALL DIMENSIONS ARE IN mm UNLESS OTHERWISE STATED
TOLERANCES:
NO DECIMAL PLACES +/- 0.75mm
1 DECIMAL PLACE +/- 0.50mm
2 DECIMAL PLACES +/- 0.25mm
ANGULAR TOLERANCES +/- 1.0 DEGREES U.O.S.
MACHINING BURRS/MOULDING FLASH TO BE REMOVED
DO NOT SCALE DRAWING
PARTS ARE TO BE CLEAN AND DRY



IMPORTANT: CONFIDENTIALITY NOTICE
This drawing and the information contained within it are the property of Pektron Group Limited and must be held in strict confidence by the recipient. This drawing is supplied to the recipient for identification purposes only. Pektron Group Limited own the copyright in this drawing and no copy is to be made either in part or in whole without the written permission of Pektron Group Limited. This drawing and the information contained within it shall remain the property of Pektron Group Limited and shall be returned to the recipient upon completion of the work. It is the responsibility of the recipient to ensure that all employees to whom such information is disclosed are aware of this confidentiality notice.
It should be destroyed or returned upon instruction by Pektron Group Limited. Any copies and/or design files, software, registered design, trademark, rights, design rights, or copyright arising from the use of this drawing and/or the information contained within it shall be considered the property of Pektron Group Limited.

CHASSIS CONTROL UNIT			
DRAWING SCALE	MATERIAL	SEE TABLE	
FILM SIZE	FINISH	N/A	
CHECKED	L.PAPUC	APPROVED	I.MARRIOTT
DRG No:	0771G07A		