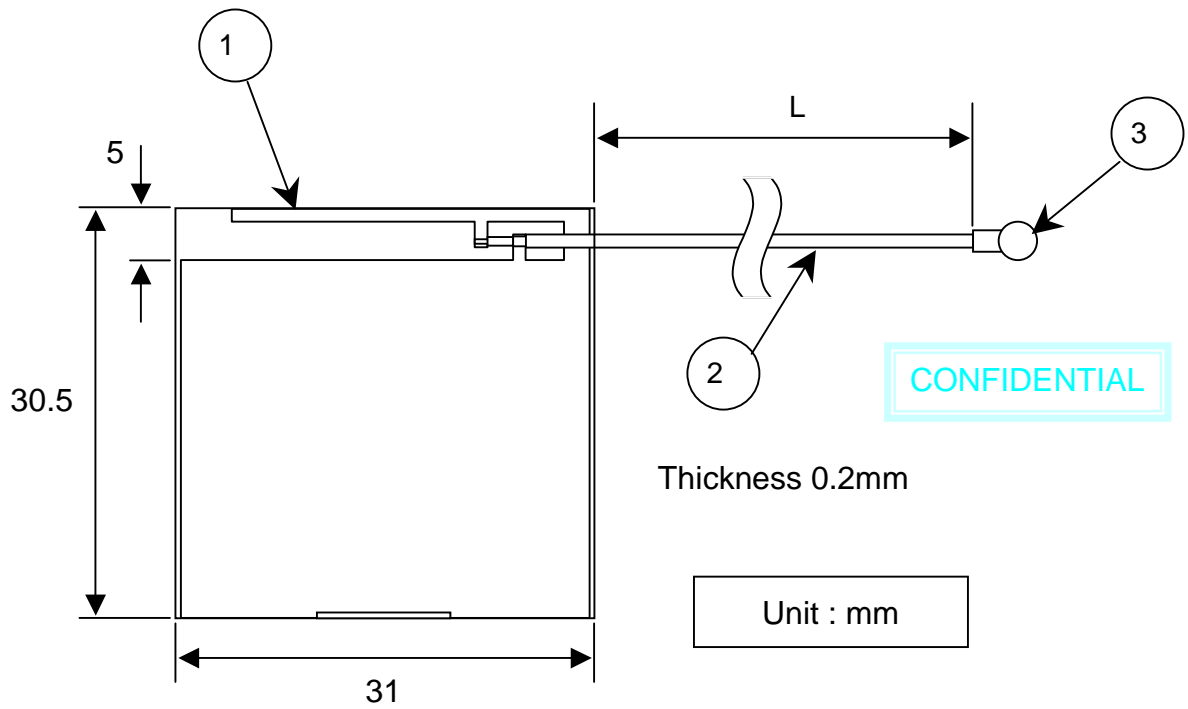


To Sharp Corporation

The drawing of Film Antenna “HFS02” for 2.4 GHz band

2003/7/18

Hitachi Cable Co, Ltd.



No.	Description	Supplier	P/N
1	Film Antenna	Hitachi Cable Co, Ltd.	HFS02
2	0.81 mm Coaxial Cable L=715 mm or 838 mm	Hitachi Cable Co, Ltd.	UL1745-SB CX-50 1X36AWG
3	mPCI Connector	JST Mfg Co., Ltd	AYU1

Fig.1 The Shape and Size of HFS02

Definition of the direction and Measurement Method

Fig 1 defines the direction of the radiation pattern measurement, and Fig 2 shows the measurement method.

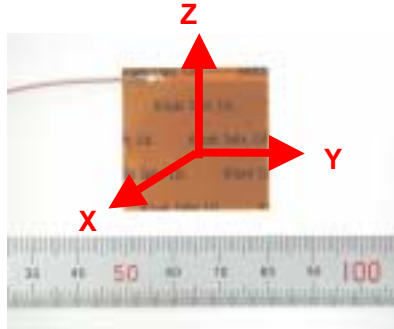


Fig. 2 The direction of the radiation pattern measurement

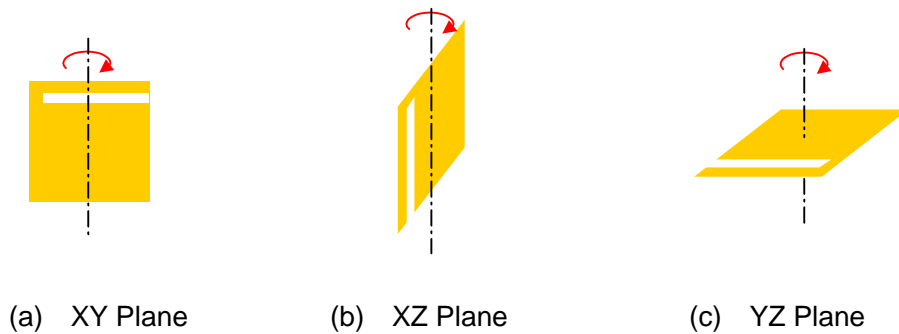


Fig. 3 Measurement method

Measurement environment

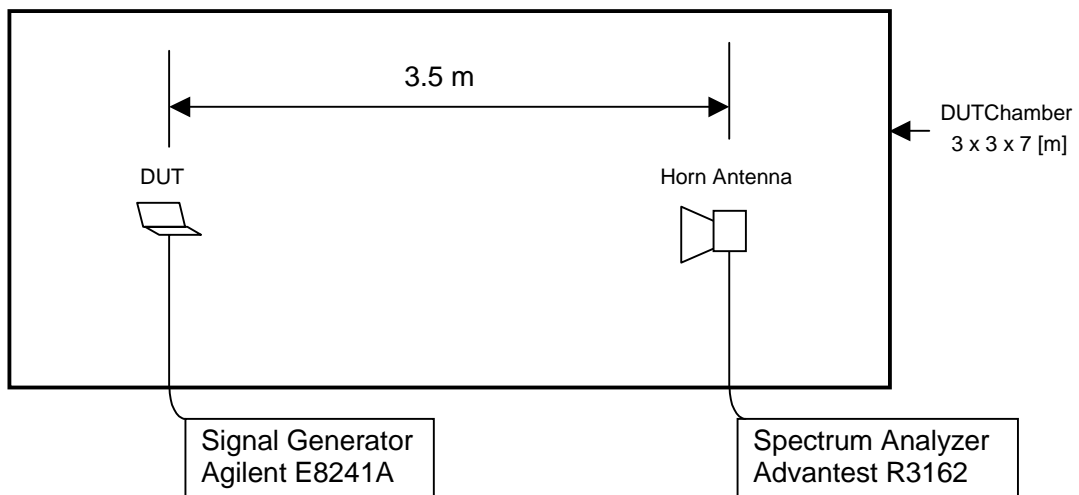
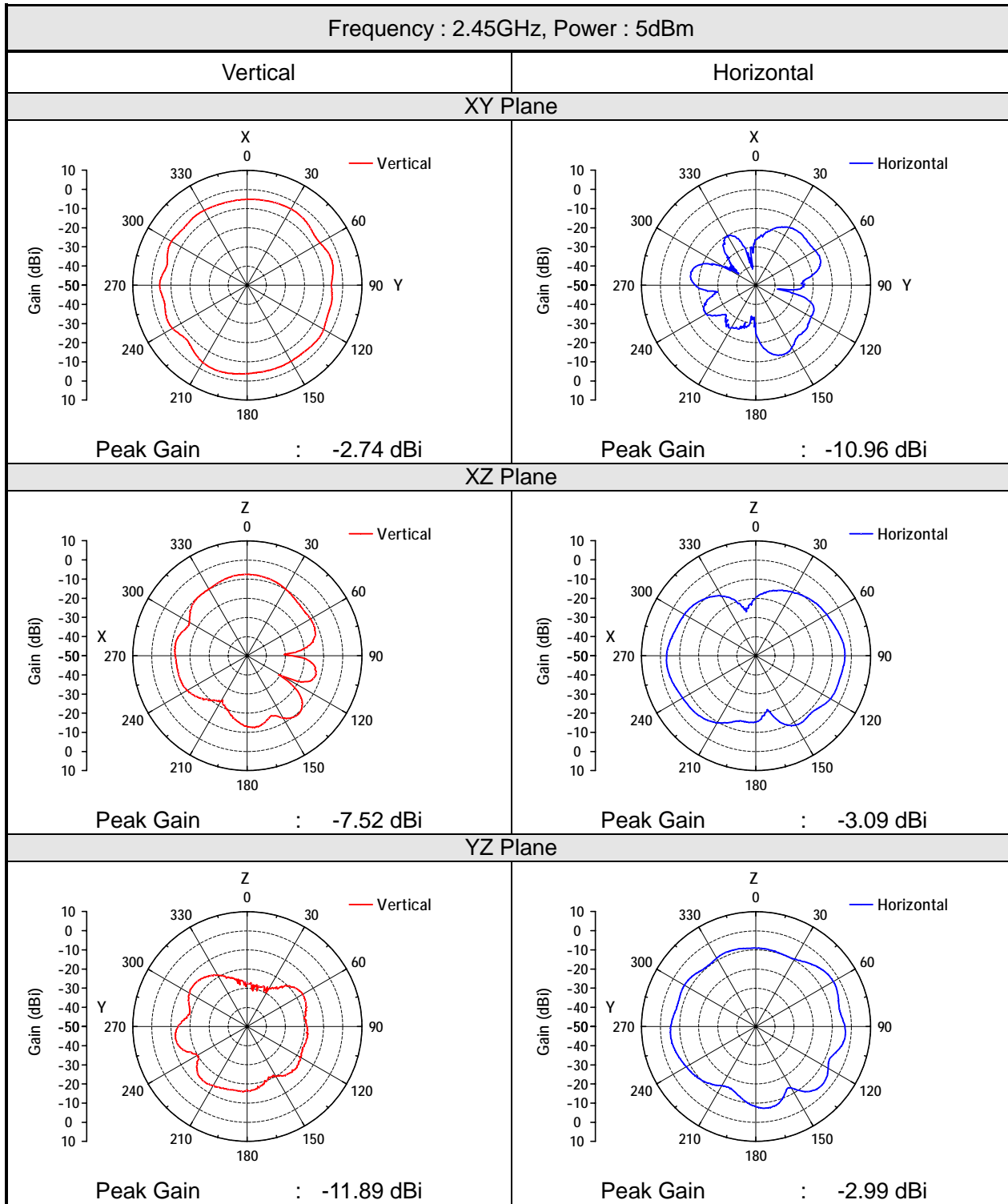


Fig. 4 Measurement environment

ENGINEERING SHEET

Hitachi Cable, Ltd.
Mobile Antenna Sec.

Table 1 The Radiation pattern (Cable length = 715mm)



ENGINEERING SHEET

Hitachi Cable, Ltd.
Mobile Antenna Sec.

Table 2 The Radiation pattern (Cable length = 838mm)

