



# FCC CERTIFICATION REPORT

Based On SGS EMC Test Report No.: MH/2018/A0204

**Applicant** : Sharp Corporation, Mobile Communication B.U.  
**Address** : 2-13-1, Hachihonmatsu-lida, Higashi-hiroshima-shi, Hiroshima  
 739-0192, Japan  
**Manufacturer** : Sharp Corporation  
**Address** : 1 Takumi-cho, Sakai-ku, Sakai-Shi, Osaka 590-8522, Japan

**Equipment Under Test (EUT) :**  
**Product Name** : Cellular Phone

**Standards** : FCC Part 15, Subpart B, Class B  
**FCC Designation Numbers** : 916890 / TW1087

**Date of Receipt** : Oct. 26, 2018 and Nov.26, 2018  
**Date of Test** : Oct. 26 ~ Nov. 16, 2018 and Nov. 26 ~ Dec. 04, 2018  
**Date of Issue** : Dec. 25, 2018

<b>Test Result :</b>	<b>PASS</b>
----------------------	-------------

In the configuration tested, the EUT complied with the standards specified above.

**Remarks :**

This report details the results of the testing carried out on one sample, the results contained in this test report do not relate to other samples of the same product. The manufacturer should ensure that all products in series production are in conformity with the product sample detailed in this report.

The conformity assessment statement in this report is based solely on the test results, measurement uncertainty is excluded.

This report may only be reproduced and distributed in full. If the product in this report is used in any configuration other than that detailed in the report, the manufacturer must ensure the new system complies with all relevant standards. Any mention of SGS Taiwan Electronics & Communication Laboratory or testing done by SGS Taiwan Electronics & Communication Laboratory in connection with distribution or use of the product described in this report must be approved by SGS Taiwan Electronics & Communication Laboratory in writing.

**Tested By:** Lowka Chen **Date** Dec. 25, 2018

**Lowka Chen (Engineer)**

**Approved By** Eddy Cheng **Date** Dec. 25, 2018

**Eddy Cheng (Asst. Supervisor)**



Unless otherwise stated the results shown in this test report refer only to the sample(s) tested and such sample(s) are retained for 90 days only.  
 除非另有說明，此報告結果僅對測試之樣品負責，同時此樣品僅保留90天。本報告未經本公司書面許可，不可部份複製。

This document is issued by the Company subject to its General Conditions of Service printed overleaf, available on request or accessible at [www.sgs.com/terms\\_and\\_conditions.htm](http://www.sgs.com/terms_and_conditions.htm) and for electronic format documents, subject to Terms and Conditions for Electronic Documents at [www.sgs.com/terms\\_e-document.htm](http://www.sgs.com/terms_e-document.htm). Attention is drawn to the limitation of liability, indemnification and jurisdiction issues defined therein. Any holder of this document is advised that information contained hereon reflects the Company's findings at the time of its intervention only and within the limits of Client's instructions, if any. The Company's sole responsibility is to its Client and this document does not exonerate parties to a transaction from exercising all their rights and obligations under the transaction documents. This document cannot be reproduced except in full, without prior written approval of the Company. Any unauthorized alteration, forgery or falsification of the content or appearance of this document is unlawful and offenders may be prosecuted to the fullest extent of the law.

## Revision History

Report Number	Revision	Description	Issue Date
MH/2018/B0225	Rev.00	APYHRO00271 has no Camera function compared to the previous case. Spot check Below / Above RE Replace Below / Above RE data compared to the previous case.	Dec. 25, 2018

Unless otherwise stated the results shown in this test report refer only to the sample(s) tested and such sample(s) are retained for 90 days only.  
除非另有說明，此報告結果僅對測試之樣品負責，同時此樣品僅保留90天。本報告未經本公司書面許可，不可部份複製。

This document is issued by the Company subject to its General Conditions of Service printed overleaf, available on request or accessible at [www.sgs.com/terms\\_and\\_conditions.htm](http://www.sgs.com/terms_and_conditions.htm) and for electronic format documents, subject to Terms and Conditions for Electronic Documents at [www.sgs.com/terms\\_e-document.htm](http://www.sgs.com/terms_e-document.htm). Attention is drawn to the limitation of liability, indemnification and jurisdiction issues defined therein. Any holder of this document is advised that information contained hereon reflects the Company's findings at the time of its intervention only and within the limits of Client's instructions, if any. The Company's sole responsibility is to its Client and this document does not exonerate parties to a transaction from exercising all their rights and obligations under the transaction documents. This document cannot be reproduced except in full, without prior written approval of the Company. Any unauthorized alteration, forgery or falsification of the content or appearance of this document is unlawful and offenders may be prosecuted to the fullest extent of the law.



## Contents

<b>1. GENERAL INFORMATION</b> .....	<b>4</b>
1.1 APPLICANT & MANUFACTURER INFORMATION .....	4
1.2 GENERAL DESCRIPTION OF EUT .....	4
1.3 DETAILS OF EUT .....	5
1.4 OPERATION PROCEDURE .....	7
1.5 DESCRIPTION OF SUPPORT UNITS .....	8
1.6 MODIFICATION LIST .....	8
1.7 ACCESSORIES CABLE LIST .....	8
1.8 TEST SET-UP CONFIGURATION.....	9
1.9 MEASUREMENT PROCEDURE .....	11
1.10 STANDARDS APPLICABLE FOR TESTING.....	11
1.11 SUMMARY OF RESULTS .....	11
<b>2. EMISSION</b> .....	<b>12</b>
2.1 TEST RESULTS .....	12
2.2 FREQUENCY RANGE.....	12
2.3 LIMITS OF CONDUCTED AND RADIATED EMISSION .....	12
2.3.1 LIMITS OF CONDUCTED EMISSION .....	12
2.3.2 LIMITS OF RADIATED EMISSIONS .....	13
2.4. TEST OF CONDUCTED EMISSION.....	14
2.4.1 TEST EQUIPMENTS .....	14
2.4.2 OPERATING ENVIRONMENT .....	14
2.4.3 MEASUREMENT LEVEL CALCULATION.....	14
2.4.4 MEASUREMENT DATA:.....	15
2.5 TEST OF RADIATED EMISSION.....	21
2.5.1 TEST EQUIPMENTS .....	21
2.5.2 OPERATING ENVIRONMENT .....	23
2.5.3 MEASUREMENT LEVEL CALCULATION.....	23
2.5.4 MEASUREMENT DATA.....	24
<b>3. PHOTOGRAPHS OF TEST</b> .....	<b>48</b>

Unless otherwise stated the results shown in this test report refer only to the sample(s) tested and such sample(s) are retained for 90 days only.

除非另有說明，此報告結果僅對測試之樣品負責，同時此樣品僅保留90天。本報告未經本公司書面許可，不可部份複製。

This document is issued by the Company subject to its General Conditions of Service printed overleaf, available on request or accessible at [www.sgs.com/terms\\_and\\_conditions.htm](http://www.sgs.com/terms_and_conditions.htm) and for electronic format documents, subject to Terms and Conditions for Electronic Documents at [www.sgs.com/terms\\_e-document.htm](http://www.sgs.com/terms_e-document.htm). Attention is drawn to the limitation of liability, indemnification and jurisdiction issues defined therein. Any holder of this document is advised that information contained hereon reflects the Company's findings at the time of its intervention only and within the limits of Client's instructions, if any. The Company's sole responsibility is to its Client and this document does not exonerate parties to a transaction from exercising all their rights and obligations under the transaction documents. This document cannot be reproduced except in full, without prior written approval of the Company. Any unauthorized alteration, forgery or falsification of the content or appearance of this document is unlawful and offenders may be prosecuted to the fullest extent of the law.



# 1. General Information

## 1.1 Applicant & Manufacturer Information

Applicant : Sharp Corporation, Mobile Communication B.U.  
Address of Applicant : 2-13-1, Hachihonmatsu-lida, Higashi-hiroshima-shi, Hiroshima 739-0192, Japan  
Manufacturer : Sharp Corporation  
Address of Manufacturer : 1 Takumi-cho, Sakai-ku, Sakai-Shi, Osaka 590-8522, Japan

## 1.2 General Description of EUT

Product Name : Cellular Phone

Unless otherwise stated the results shown in this test report refer only to the sample(s) tested and such sample(s) are retained for 90 days only.  
除非另有說明，此報告結果僅對測試之樣品負責，同時此樣品僅保留90天。本報告未經本公司書面許可，不可部份複製。

This document is issued by the Company subject to its General Conditions of Service printed overleaf, available on request or accessible at [www.sgs.com/terms\\_and\\_conditions.htm](http://www.sgs.com/terms_and_conditions.htm) and for electronic format documents, subject to Terms and Conditions for Electronic Documents at [www.sgs.com/terms\\_e-document.htm](http://www.sgs.com/terms_e-document.htm). Attention is drawn to the limitation of liability, indemnification and jurisdiction issues defined therein. Any holder of this document is advised that information contained hereon reflects the Company's findings at the time of its intervention only and within the limits of Client's instructions, if any. The Company's sole responsibility is to its Client and this document does not exonerate parties to a transaction from exercising all their rights and obligations under the transaction documents. This document cannot be reproduced except in full, without prior written approval of the Company. Any unauthorized alteration, forgery or falsification of the content or appearance of this document is unlawful and offenders may be prosecuted to the fullest extent of the law.



**1.3 Details of EUT**

Power Supply : AC 100~240V, 50/60Hz  
 Highest operate description : 2480 MHz  
 Battery : 3.8V, 1680mAh, 6.38Wh  
 Cradle : Model No.: A  
 Supplier : A  
 Worst case : CE worst case : Config 4  
 Below RE worst case : Config 2  
 Above RE worst case : Config 2

FCC ID : APYHRO00271	DDR	PCB	(Select which one is worst case)
Type~A	Main Source	Main Source	V
Type~B	2 <sup>nd</sup> source-1	2 <sup>nd</sup> source	Worst case
Type~C	2 <sup>nd</sup> source-2	-	V

Unless otherwise stated the results shown in this test report refer only to the sample(s) tested and such sample(s) are retained for 90 days only.  
 除非另有說明，此報告結果僅對測試之樣品負責，同時此樣品僅保留90天。本報告未經本公司書面許可，不可部份複製。

This document is issued by the Company subject to its General Conditions of Service printed overleaf, available on request or accessible at [www.sgs.com/terms\\_and\\_conditions.htm](http://www.sgs.com/terms_and_conditions.htm) and for electronic format documents, subject to Terms and Conditions for Electronic Documents at [www.sgs.com/terms\\_e-document.htm](http://www.sgs.com/terms_e-document.htm). Attention is drawn to the limitation of liability, indemnification and jurisdiction issues defined therein. Any holder of this document is advised that information contained hereon reflects the Company's findings at the time of its intervention only and within the limits of Client's instructions, if any. The Company's sole responsibility is to its Client and this document does not exonerate parties to a transaction from exercising all their rights and obligations under the transaction documents. This document cannot be reproduced except in full, without prior written approval of the Company. Any unauthorized alteration, forgery or falsification of the content or appearance of this document is unlawful and offenders may be prosecuted to the fullest extent of the law.



<b>Accessories List:</b> <b>AC Charger : Salom/XN-2QC25</b> <b>Data Cable : L6KU2001-CS-H</b> <b>PHF : Sony / MDR-EX15AP</b> <b>Conversion plug : n/a / SHX11QVA</b> <b>Cradle (In-box) : A</b>	<b>Config 1</b>	<b>Config 2</b>	<b>Config 3</b>	<b>Config 4</b>
Applicable standard	FCC 15B			
Accessories	EUT + AC Adaptor +USB Cable	EUT +USB Cable	EUT + Conversion plug +PHF	EUT +USB Cable +Cradle +Adapter
Main function	<i>Speech</i>	<i>Data Link</i>	MP4	<i>Charging</i>
Additional function	BT+WIFI +GPS+NFC			
Description				
radiated emission	GSM 850/1900 WCDMA BV	Data R/W	MP4	Charging
conducted emission (DC Power)	NA	NA	NA	NA
conducted emission (AC Power)	GSM 850/1900 WCDMA BV	Data R/W	NA	Charging

Unless otherwise stated the results shown in this test report refer only to the sample(s) tested and such sample(s) are retained for 90 days only.  
除非另有說明，此報告結果僅對測試之樣品負責，同時此樣品僅保留90天。本報告未經本公司書面許可，不可部份複製。

This document is issued by the Company subject to its General Conditions of Service printed overleaf, available on request or accessible at [www.sgs.com/terms\\_and\\_conditions.htm](http://www.sgs.com/terms_and_conditions.htm) and for electronic format documents, subject to Terms and Conditions for Electronic Documents at [www.sgs.com/terms\\_e-document.htm](http://www.sgs.com/terms_e-document.htm). Attention is drawn to the limitation of liability, indemnification and jurisdiction issues defined therein. Any holder of this document is advised that information contained hereon reflects the Company's findings at the time of its intervention only and within the limits of Client's instructions, if any. The Company's sole responsibility is to its Client and this document does not exonerate parties to a transaction from exercising all their rights and obligations under the transaction documents. This document cannot be reproduced except in full, without prior written approval of the Company. Any unauthorized alteration, forgery or falsification of the content or appearance of this document is unlawful and offenders may be prosecuted to the fullest extent of the law.



## 1.4 Operation Procedure

### Config 1

1. Let EUT plug in SD Card & SIM Card, connect to Adapter with USB cable and turn it on.
2. Execute 1k source.
3. NB & EUT with Link AP-WiFi (2.4G), NB execute ping EUT IP.
4. Turn on BT function and connect to the Bluetooth speaker.
5. Set up base station, set channel (GSM 850/1900, WCDMA B5) and transfer data.
6. Set up GPS simulator and turn on GPS test app.
7. Start the test.

### Config 2

1. Let EUT plug in SD Card & SIM Card, connect to NB\_1 with USB cable.
2. Execute 1k source.
3. NB\_2 & EUT with Link AP-WiFi Worst (2.4G), NB execute ping EUT IP.
4. Turn on BT function and connect to the Bluetooth speaker.
5. Set up GPS simulator and turn on GPS test app.
6. Execute Data Read/Write in NB\_1 with EUT.
7. Start the test.

### Config 3

1. Let EUT plug in SD Card & SIM Card.
2. Let EUT connect to USB to Audio Cable, headphones, and execute 1k audio source.
3. NB\_2 & EUT with Link AP-WiFi Worst (2.4G), NB execute ping EUT IP.
4. Turn on BT function and connect to the Bluetooth speaker.
5. Set up GPS simulator and turn on GPS test app.
6. Play MP4 file
7. Start the test.

### Config 4

1. Let Cradle connect to Adapter with USB cable.
2. Let EUT plug in SD Card & SIM Card and turn it on.
3. Turn on BT function and connect to the Bluetooth speaker.
4. Turn on WiFi function and connect with NB\_2 WiFi-AP, ping EUT IP Address.
5. Set up GPS simulator and turn on GPS test app.
6. Place EUT on Cradle to charge
7. Start the test.

Unless otherwise stated the results shown in this test report refer only to the sample(s) tested and such sample(s) are retained for 90 days only.  
除非另有說明，此報告結果僅對測試之樣品負責，同時此樣品僅保留90天。本報告未經本公司書面許可，不可部份複製。

This document is issued by the Company subject to its General Conditions of Service printed overleaf, available on request or accessible at [www.sgs.com/terms\\_and\\_conditions.htm](http://www.sgs.com/terms_and_conditions.htm) and for electronic format documents, subject to Terms and Conditions for Electronic Documents at [www.sgs.com/terms\\_e-document.htm](http://www.sgs.com/terms_e-document.htm). Attention is drawn to the limitation of liability, indemnification and jurisdiction issues defined therein. Any holder of this document is advised that information contained hereon reflects the Company's findings at the time of its intervention only and within the limits of Client's instructions, if any. The Company's sole responsibility is to its Client and this document does not exonerate parties to a transaction from exercising all their rights and obligations under the transaction documents. This document cannot be reproduced except in full, without prior written approval of the Company. Any unauthorized alteration, forgery or falsification of the content or appearance of this document is unlawful and offenders may be prosecuted to the fullest extent of the law.



## 1.5 Description of Support Units

PRODUCT	MANUFACTURER	MODEL NO.	SERIAL NO.
SIM Card	R&S	CMW-Z05	8952530076180138474
Micro SD	Transcend	SDHC (Class 4 )	N/A
BT Speaker	Creative	MF8090	YFMF8090245R00855Y
Radio Communication Analyzer	R&S	CMU200	102189
Radio Communication Analyzer	R&S	CMW500	1201.002K50-152303-Zr
AP	BUFFALO	WZR-HP-G300NH2	44066221202559[[G]]
GPS Signal Generator	Spectracom	GSG53 GNSS4	200218
Mouse	Logitech	M-U0026	1738HS05FH98
Notebook (RE, HRE)	DELL	Latitude E5430	COVZYW1
Notebook (CE)	DELL	P56F	59WSJ72
Earphone	SONY	MDR-EX15AP	N/A
Adapter	Salom	XN-2QC25	N/A

## Support Equipment Used in Tested Cable

Cable Type	Core	Length	Shielding/Non-shielding
USB Cable*2	N/A	1.8m	Shielding

## 1.6 Modification List

No modification was made by SGS Taiwan Electronics & Communication Laboratory.

## 1.7 Accessories Cable List

Cable Type	Core	Length	Shielding/Non-shielding
USB Cable	N/A	1m	Shielding
Earphone Cable	N/A	1.25m	Non-shielding

Unless otherwise stated the results shown in this test report refer only to the sample(s) tested and such sample(s) are retained for 90 days only.  
 除非另有說明，此報告結果僅對測試之樣品負責，同時此樣品僅保留90天。本報告未經本公司書面許可，不可部份複製。

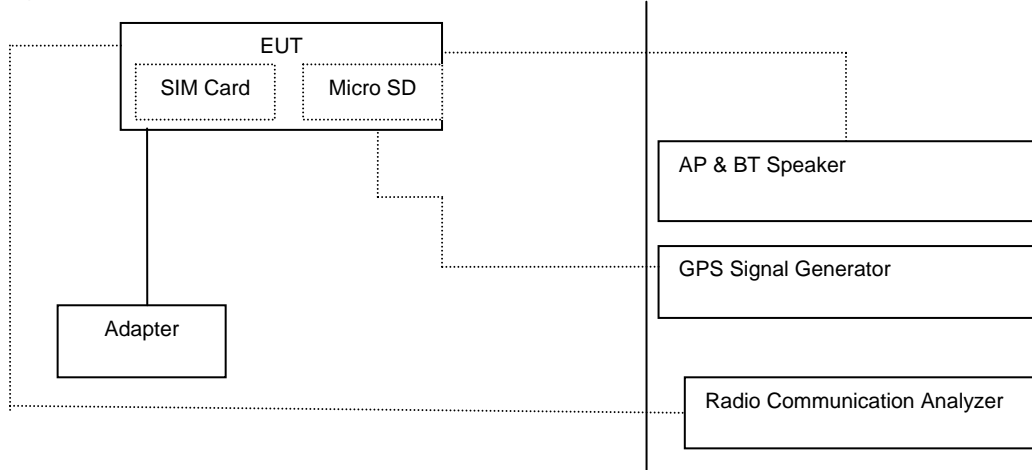
This document is issued by the Company subject to its General Conditions of Service printed overleaf, available on request or accessible at [www.sgs.com/terms\\_and\\_conditions.htm](http://www.sgs.com/terms_and_conditions.htm) and for electronic format documents, subject to Terms and Conditions for Electronic Documents at [www.sgs.com/terms\\_e-document.htm](http://www.sgs.com/terms_e-document.htm). Attention is drawn to the limitation of liability, indemnification and jurisdiction issues defined therein. Any holder of this document is advised that information contained hereon reflects the Company's findings at the time of its intervention only and within the limits of Client's instructions, if any. The Company's sole responsibility is to its Client and this document does not exonerate parties to a transaction from exercising all their rights and obligations under the transaction documents. This document cannot be reproduced except in full, without prior written approval of the Company. Any unauthorized alteration, forgery or falsification of the content or appearance of this document is unlawful and offenders may be prosecuted to the fullest extent of the law.



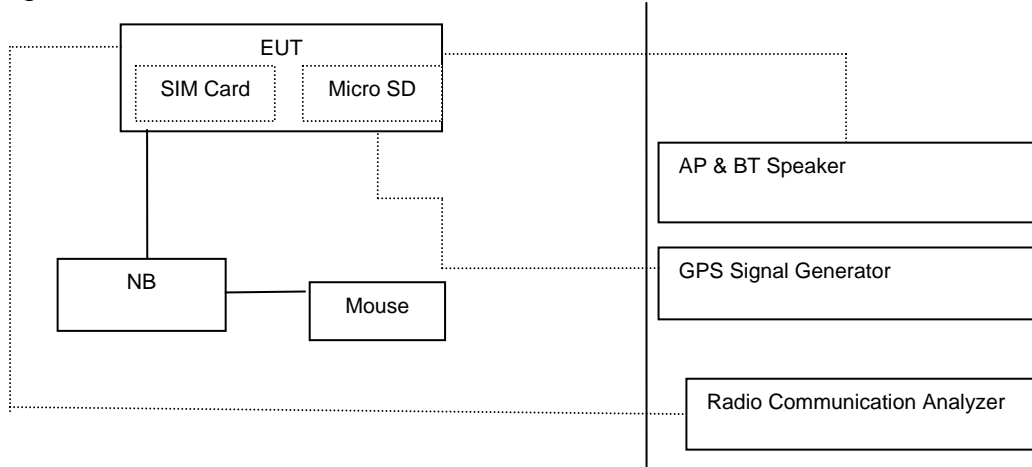


### 1.8 Test Set-Up Configuration

Config 1



Config 2



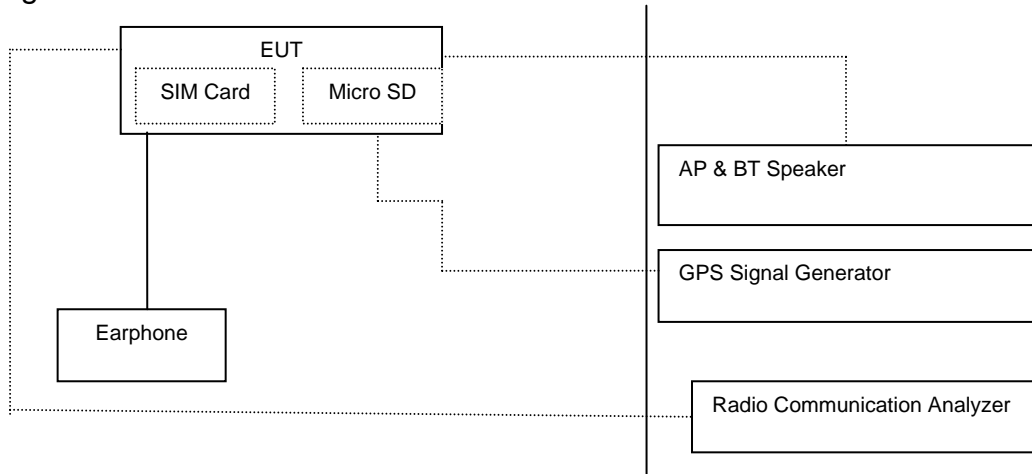
Unless otherwise stated the results shown in this test report refer only to the sample(s) tested and such sample(s) are retained for 90 days only.

除非另有說明，此報告結果僅對測試之樣品負責，同時此樣品僅保留90天。本報告未經本公司書面許可，不可部份複製。

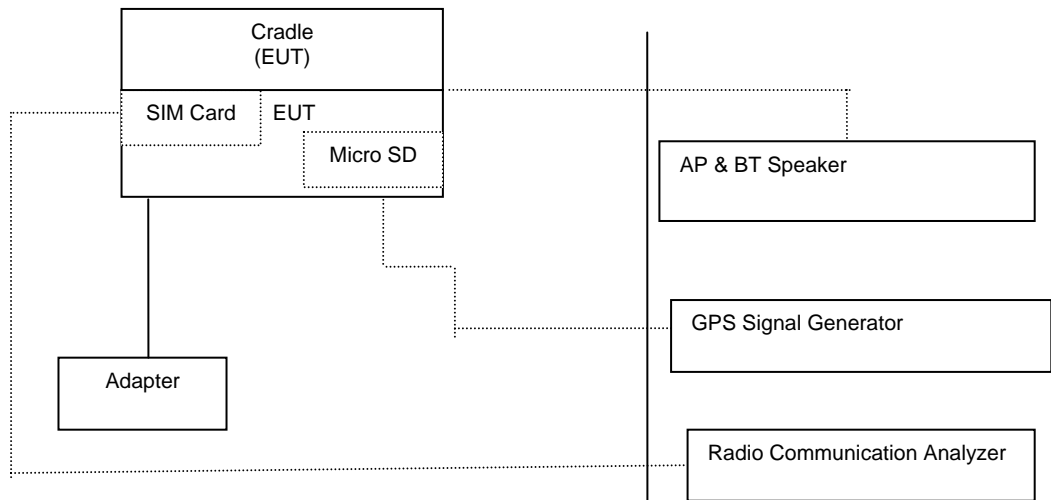
This document is issued by the Company subject to its General Conditions of Service printed overleaf, available on request or accessible at [www.sgs.com/terms\\_and\\_conditions.htm](http://www.sgs.com/terms_and_conditions.htm) and for electronic format documents, subject to Terms and Conditions for Electronic Documents at [www.sgs.com/terms\\_e-document.htm](http://www.sgs.com/terms_e-document.htm). Attention is drawn to the limitation of liability, indemnification and jurisdiction issues defined therein. Any holder of this document is advised that information contained hereon reflects the Company's findings at the time of its intervention only and within the limits of Client's instructions, if any. The Company's sole responsibility is to its Client and this document does not exonerate parties to a transaction from exercising all their rights and obligations under the transaction documents. This document cannot be reproduced except in full, without prior written approval of the Company. Any unauthorized alteration, forgery or falsification of the content or appearance of this document is unlawful and offenders may be prosecuted to the fullest extent of the law.



Config 3



Config 4



Unless otherwise stated the results shown in this test report refer only to the sample(s) tested and such sample(s) are retained for 90 days only.

除非另有說明，此報告結果僅對測試之樣品負責，同時此樣品僅保留90天。本報告未經本公司書面許可，不可部份複製。

This document is issued by the Company subject to its General Conditions of Service printed overleaf, available on request or accessible at [www.sgs.com/terms\\_and\\_conditions.htm](http://www.sgs.com/terms_and_conditions.htm) and for electronic format documents, subject to Terms and Conditions for Electronic Documents at [www.sgs.com/terms\\_e-document.htm](http://www.sgs.com/terms_e-document.htm). Attention is drawn to the limitation of liability, indemnification and jurisdiction issues defined therein. Any holder of this document is advised that information contained hereon reflects the Company's findings at the time of its intervention only and within the limits of Client's instructions, if any. The Company's sole responsibility is to its Client and this document does not exonerate parties to a transaction from exercising all their rights and obligations under the transaction documents. This document cannot be reproduced except in full, without prior written approval of the Company. Any unauthorized alteration, forgery or falsification of the content or appearance of this document is unlawful and offenders may be prosecuted to the fullest extent of the law.



## 1.9 Measurement Procedure

Conducted Emission Testing was performed according to ANSI C63.4:2014 in a shielded room with peripherals placed on a table, 0.8m high over a metal floor. It was located more than required distance away from the shielded room wall.

Radiated Emission Testing was performed according to ANSI C63.4:2014 at the 3/10m semi-anechoic chamber. The EUT was placed on a 0.8m high table along with the peripherals. The turn table was placed 10m distance from the antenna. Cables were placed in a position to produce maximum emissions as determined by experimentation, and operation mode was selected for production of maximum emission.

The frequencies and amplitudes of maximum emission were measured at varying azimuths, antenna heights and antenna polarities. Maximum emission levels are then reported.

## 1.10 Standards Applicable for Testing

Tests to be carried out under FCC Part 15, Subpart B/CISPR 22

Test Standards	Status
FCC Part 15, Subpart B/ CISPR 22	Applicable
Deviation from Standard	No deviation

## 1.11 Summary of Results

Standard	Test Type	Highest Emission			
		Result	Phase/Pol.	Frequency(MHz)	Margin(dB)
FCC Part 15 Subpart B Class B	Conducted Emission	PASS	Line	0.3780	-10.59 (AVG)
			Neutral	0.3820	-8.75 (AVG)
	Radiated Emission	PASS	Ver.	45.5200	-4.71 (QP)

Unless otherwise stated the results shown in this test report refer only to the sample(s) tested and such sample(s) are retained for 90 days only.  
除非另有說明，此報告結果僅對測試之樣品負責，同時此樣品僅保留90天。本報告未經本公司書面許可，不可部份複製。

This document is issued by the Company subject to its General Conditions of Service printed overleaf, available on request or accessible at [www.sgs.com/terms\\_and\\_conditions.htm](http://www.sgs.com/terms_and_conditions.htm) and for electronic format documents, subject to Terms and Conditions for Electronic Documents at [www.sgs.com/terms\\_e-document.htm](http://www.sgs.com/terms_e-document.htm). Attention is drawn to the limitation of liability, indemnification and jurisdiction issues defined therein. Any holder of this document is advised that information contained hereon reflects the Company's findings at the time of its intervention only and within the limits of Client's instructions, if any. The Company's sole responsibility is to its Client and this document does not exonerate parties to a transaction from exercising all their rights and obligations under the transaction documents. This document cannot be reproduced except in full, without prior written approval of the Company. Any unauthorized alteration, forgery or falsification of the content or appearance of this document is unlawful and offenders may be prosecuted to the fullest extent of the law.



## 2. EMISSION

### 2.1 Test Results

	Results
Conducted Emission	<b>Pass</b>
Radiated Emission	<b>Pass</b>

### 2.2 Frequency Range

#### FCC Part 15, Subpart B:

Conducted Emission : 150 kHz - 30 MHz

Radiated Emission : See below table

Highest frequency generated or Upper frequency of measurement used in the device or on which the device operates or tunes (MHz) range (MHz)

Below 1.705	30
1.705 - 108	1000
108 - 500	2000
500 - 1000	5000
Above 1000	5th harmonic of the highest frequency or 40 GHz, whichever is lower

### 2.3 Limits of Conducted and Radiated Emission

#### 2.3.1 Limits of Conducted Emission

##### FCC Part 15, Subpart B/CISPR 22:

FREQUENCY (MHz)	Class A (dBuV)		Class B (dBuV)	
	Quasi - peak	Average	Quasi - peak	Average
0.15 - 0.5	79	66	66 - 56	56 - 46
0.50 - 5.0	73	60	56	46
5.0 - 30.0	73	60	60	50

Note : (1) The lower limit shall apply at the transition frequencies.

(2) The limit decreases linearly with the logarithm of the frequency in the range 0.15 to 0.50 MHz.

(3) All emanation from a class A/B digital device or system, including any network of conductors and apparatus connected there to, shall not exceed the level of field strengths specified above.

Unless otherwise stated the results shown in this test report refer only to the sample(s) tested and such sample(s) are retained for 90 days only.  
 除非另有說明，此報告結果僅對測試之樣品負責，同時此樣品僅保留90天。本報告未經本公司書面許可，不可部份複製。

This document is issued by the Company subject to its General Conditions of Service printed overleaf, available on request or accessible at [www.sgs.com/terms\\_and\\_conditions.htm](http://www.sgs.com/terms_and_conditions.htm) and for electronic format documents, subject to Terms and Conditions for Electronic Documents at [www.sgs.com/terms\\_e-document.htm](http://www.sgs.com/terms_e-document.htm). Attention is drawn to the limitation of liability, indemnification and jurisdiction issues defined therein. Any holder of this document is advised that information contained hereon reflects the Company's findings at the time of its intervention only and within the limits of Client's instructions, if any. The Company's sole responsibility is to its Client and this document does not exonerate parties to a transaction from exercising all their rights and obligations under the transaction documents. This document cannot be reproduced except in full, without prior written approval of the Company. Any unauthorized alteration, forgery or falsification of the content or appearance of this document is unlawful and offenders may be prosecuted to the fullest extent of the law.



**2.3.2 Limits of Radiated Emissions**

**FCC Part 15, Subpart B Limit:**

- Detector Function : Quasi – Peak

FREQUENCY (MHz)	Class A (at 10m)	Class B (at 3m)
	dBuV/m	dBuV/m
30~88	39	40
88~216	43.5	43.5
216~960	46.44	46
Above 960	49.54	54

- Detector Function : Peak , Average

FREQUENCY (MHz)	Class A (dBuV/m) (at 3m)		Class B (dBuV/m) (at 3m)	
	Peak	Average	Peak	Average
Above 1000	79.3	59.3	73.9	53.9

**CISPR 22 Limit:**

- Detector Function : Quasi – Peak

FREQUENCY (MHz)	Class A (at 10m)	Class B (at 10m)
	dBuV/m	dBuV/m
30-230	40	30
230-1000	47	37

NOTE 1 The lower limit shall apply at the transition frequency.

NOTE 2 Additional provisions may be required for cases where interference occurs.

FREQUENCY (GHz)	Class A (dBuV/m) (at 3m)		Class B (dBuV/m) (at 3m)	
	Average	Peak	Average	Peak
1~3	56	76	50	70
3~6	60	80	54	74

NOTE The lower limit applies at the transition frequency.

Unless otherwise stated the results shown in this test report refer only to the sample(s) tested and such sample(s) are retained for 90 days only.

除非另有說明，此報告結果僅對測試之樣品負責，同時此樣品僅保留90天。本報告未經本公司書面許可，不可部份複製。

This document is issued by the Company subject to its General Conditions of Service printed overleaf, available on request or accessible at [www.sgs.com/terms\\_and\\_conditions.htm](http://www.sgs.com/terms_and_conditions.htm) and for electronic format documents, subject to Terms and Conditions for Electronic Documents at [www.sgs.com/terms\\_e-document.htm](http://www.sgs.com/terms_e-document.htm). Attention is drawn to the limitation of liability, indemnification and jurisdiction issues defined therein. Any holder of this document is advised that information contained hereon reflects the Company's findings at the time of its intervention only and within the limits of Client's instructions, if any. The Company's sole responsibility is to its Client and this document does not exonerate parties to a transaction from exercising all their rights and obligations under the transaction documents. This document cannot be reproduced except in full, without prior written approval of the Company. Any unauthorized alteration, forgery or falsification of the content or appearance of this document is unlawful and offenders may be prosecuted to the fullest extent of the law.



## 2.4. Test of Conducted Emission

### 2.4.1 Test Equipments

SGS Conducted_Emission HWAYA Conducted Room No.B EMC					
EQUIPMENT TYPE	Manufacturer	Model Number	Serial Number	Calibration Date	Calibration Due
EMI Test Receiver	R&S	ESCI 3	100950	2017/12/12	2018/12/11
Coaxial Cable	EMC Instruments Corp.	EMC5D-BM-BM-3000	1401004	2018/5/25	2019/5/24
LISN	TESEQ	NNB 51	36061	2018/2/26	2019/2/25
Pulse Limiter	R&S	ESH3Z2	102099	2018/6/8	2019/6/7
LISN	TESEQ	NNB 51	36062	2018/3/30	2019/3/29
Communication Tester	R&S	CMU200	119988	2018/2/22	2019/2/21
Communication Tester	R&S	CMW500	152303	2018/2/21	2019/2/20
Test S/W	Farad	EZ-EMC	Ver. SGS-03A2	N.C.R.	N.C.R.

SGS Taiwan LTD. Electronics & Communication Laboratory  
 No.2, Keji 1st Rd., Guishan Dist., Taoyuan City 333, Taiwan (R.O.C.)  
 Measurement Uncertainty of Conducted Emission  
 Expanded uncertainty Ulab (K=2) of conducted emission is 2.25 dB  
 Theory values uncertainty Ucispr 16-4-2:2011+A1:2014 (K=2) of AC mains Conducted Emission is 3.44dB

### 2.4.2 Operating Environment

Temperature : 23 degree C

Humidity : 64 %RH

Atmospheric Pressure : 992 mBar

### 2.4.3 Measurement Level Calculation

Factor = LISN insertion loss + Cable loss + Pulse Limiter Insertion Loss

Measurement Level = Reading Level + Factor

Over (Margin) = Measurement Level – Limit

Unless otherwise stated the results shown in this test report refer only to the sample(s) tested and such sample(s) are retained for 90 days only.  
 除非另有說明，此報告結果僅對測試之樣品負責，同時此樣品僅保留90天。本報告未經本公司書面許可，不可部份複製。

This document is issued by the Company subject to its General Conditions of Service printed overleaf, available on request or accessible at [www.sgs.com/terms\\_and\\_conditions.htm](http://www.sgs.com/terms_and_conditions.htm) and for electronic format documents, subject to Terms and Conditions for Electronic Documents at [www.sgs.com/terms\\_e-document.htm](http://www.sgs.com/terms_e-document.htm). Attention is drawn to the limitation of liability, indemnification and jurisdiction issues defined therein. Any holder of this document is advised that information contained hereon reflects the Company's findings at the time of its intervention only and within the limits of Client's instructions, if any. The Company's sole responsibility is to its Client and this document does not exonerate parties to a transaction from exercising all their rights and obligations under the transaction documents. This document cannot be reproduced except in full, without prior written approval of the Company. Any unauthorized alteration, forgery or falsification of the content or appearance of this document is unlawful and offenders may be prosecuted to the fullest extent of the law.

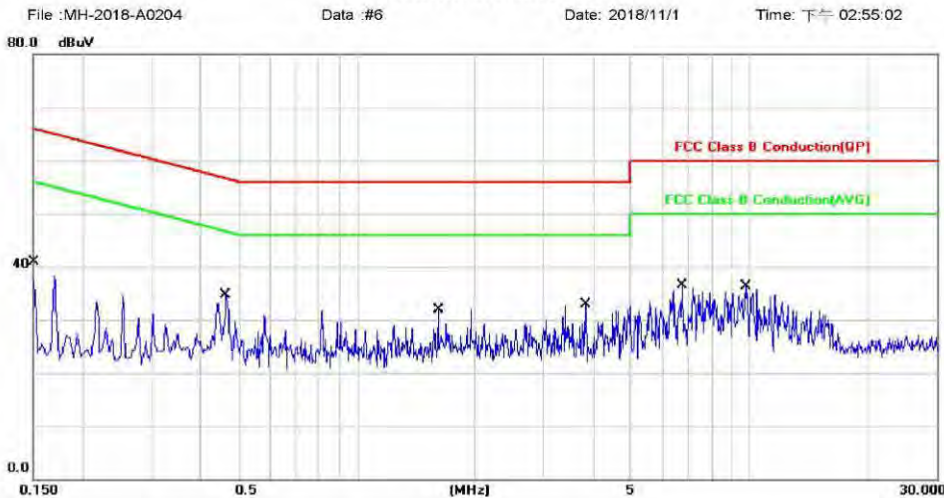


2.4.4 Measurement Data:

Config\_1\_L

Site : Conduction Room      Phase: L1      Temperature: 23 °C  
 Limit: FCC Class B Conduction(QP)      Power: AC 120V/60Hz      Humidity: 64 %  
 Mode: config\_1  
 Note: GSM 850

Conducted Emission



No.	Mk.	Freq.	Reading Level	Correct Factor	Measurement	Limit	Over	Detector	Comment
		MHz	dBuV	dB	dBuV	dBuV	dB		
1		0.1500	12.50	19.65	32.15	66.00	-33.85	QP	
2		0.1500	2.63	19.65	22.28	56.00	-33.72	AVG	
3		0.4660	9.30	20.17	29.47	56.58	-27.11	QP	
4	*	0.4660	2.22	20.17	22.39	46.58	-24.19	AVG	
5		1.6180	7.80	20.28	28.08	56.00	-27.92	QP	
6		1.6180	1.05	20.28	21.33	46.00	-24.67	AVG	
7		3.8260	7.02	20.21	27.23	56.00	-28.77	QP	
8		3.8260	1.02	20.21	21.23	46.00	-24.77	AVG	
9		6.7380	6.80	19.98	26.78	60.00	-33.22	QP	
10		6.7380	0.96	19.98	20.94	50.00	-29.06	AVG	
11		9.7980	5.90	19.95	25.85	60.00	-34.15	QP	
12		9.7980	0.78	19.95	20.73	50.00	-29.27	AVG	

\*:Maximum data    x:Over limit    †:over margin

File :MH-2018-A0204>Data :#6

Page: 1

Unless otherwise stated the results shown in this test report refer only to the sample(s) tested and such sample(s) are retained for 90 days only.

除非另有說明，此報告結果僅對測試之樣品負責，同時此樣品僅保留90天。本報告未經本公司書面許可，不可部份複製。

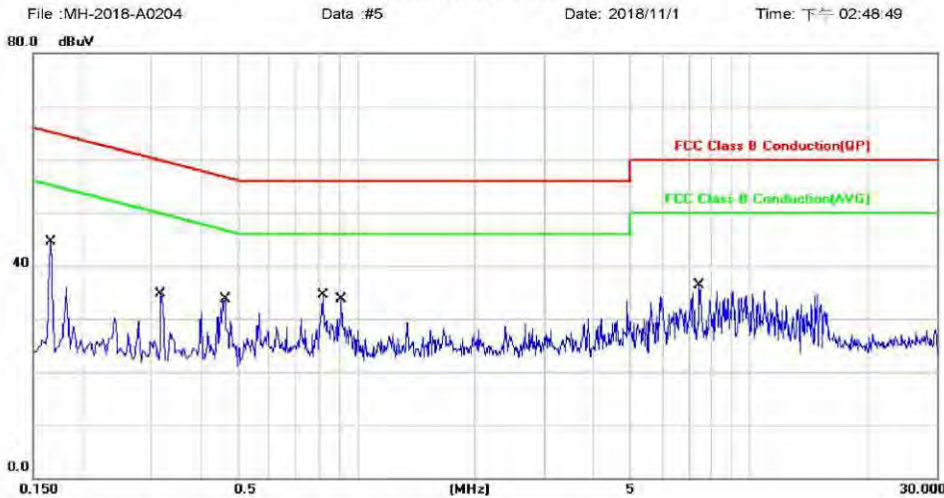
This document is issued by the Company subject to its General Conditions of Service printed overleaf, available on request or accessible at [www.sgs.com/terms\\_and\\_conditions.htm](http://www.sgs.com/terms_and_conditions.htm) and for electronic format documents, subject to Terms and Conditions for Electronic Documents at [www.sgs.com/terms\\_e-document.htm](http://www.sgs.com/terms_e-document.htm). Attention is drawn to the limitation of liability, indemnification and jurisdiction issues defined therein. Any holder of this document is advised that information contained hereon reflects the Company's findings at the time of its intervention only and within the limits of Client's instructions, if any. The Company's sole responsibility is to its Client and this document does not exonerate parties to a transaction from exercising all their rights and obligations under the transaction documents. This document cannot be reproduced except in full, without prior written approval of the Company. Any unauthorized alteration, forgery or falsification of the content or appearance of this document is unlawful and offenders may be prosecuted to the fullest extent of the law.



### Config\_1\_N

Site : Conduction Room      Phase: **N**      Temperature: 23 °C  
 Limit: FCC Class B Conduction(QP)      Power: AC 120V/60Hz      Humidity: 64 %  
 Mode: config\_1  
 Note: GSM 850

#### Conducted Emission



No.	Mk.	Freq.	Reading Level	Correct Factor	Measurement	Limit	Over	Detector	Comment
		MHz	dBuV	dB	dBuV	dBuV	dB		
1		0.1660	12.60	19.66	32.26	65.16	-32.90	QP	
2		0.1660	2.91	19.66	22.57	55.16	-32.59	AVG	
3		0.3180	9.80	19.92	29.72	59.76	-30.04	QP	
4		0.3180	1.90	19.92	21.82	49.76	-27.94	AVG	
5		0.4620	6.90	20.16	27.06	56.66	-29.60	QP	
6		0.4620	1.05	20.16	21.21	46.66	-25.45	AVG	
7		0.8180	10.78	19.98	30.76	56.00	-25.24	QP	
8 *		0.8180	2.69	19.98	22.67	46.00	-23.33	AVG	
9		0.9140	11.11	19.90	31.01	56.00	-24.99	QP	
10		0.9140	2.60	19.90	22.50	46.00	-23.50	AVG	
11		7.4620	6.60	19.96	26.56	60.00	-33.44	QP	
12		7.4620	1.01	19.96	20.97	50.00	-29.03	AVG	

\*:Maximum data    x:Over limit    †:over margin

File :MH-2018-A0204>Data :#5

Page: 1

Unless otherwise stated the results shown in this test report refer only to the sample(s) tested and such sample(s) are retained for 90 days only.

除非另有說明，此報告結果僅對測試之樣品負責，同時此樣品僅保留90天。本報告未經本公司書面許可，不可部份複製。

This document is issued by the Company subject to its General Conditions of Service printed overleaf, available on request or accessible at [www.sgs.com/terms\\_and\\_conditions.htm](http://www.sgs.com/terms_and_conditions.htm) and for electronic format documents, subject to Terms and Conditions for Electronic Documents at [www.sgs.com/terms\\_e-document.htm](http://www.sgs.com/terms_e-document.htm). Attention is drawn to the limitation of liability, indemnification and jurisdiction issues defined therein. Any holder of this document is advised that information contained hereon reflects the Company's findings at the time of its intervention only and within the limits of Client's instructions, if any. The Company's sole responsibility is to its Client and this document does not exonerate parties to a transaction from exercising all their rights and obligations under the transaction documents. This document cannot be reproduced except in full, without prior written approval of the Company. Any unauthorized alteration, forgery or falsification of the content or appearance of this document is unlawful and offenders may be prosecuted to the fullest extent of the law.

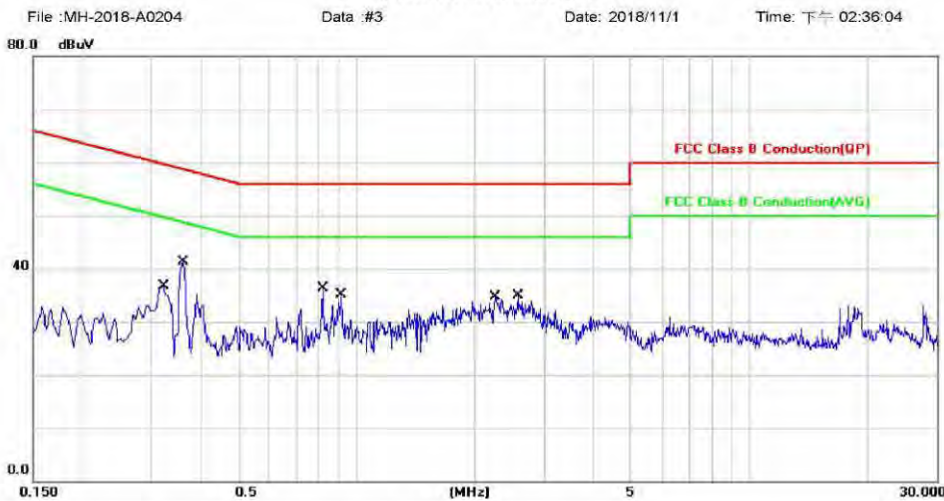




### Config\_2\_L

Site : Conduction Room      Phase: **L1**      Temperature: 23 °C  
 Limit: FCC Class B Conduction(QP)      Power: AC 120V/60Hz      Humidity: 64 %  
 Mode: config\_2  
 Note: Data write

#### Conducted Emission



No.	Mk.	Freq.	Reading Level	Correct Factor	Measurement	Limit	Over	Detector	Comment
		MHz	dBuV	dB	dBuV	dBuV	dB		
1		0.3220	14.60	19.93	34.53	59.66	-25.13	QP	
2		0.3220	7.21	19.93	27.14	49.66	-22.52	AVG	
3		0.3620	20.00	20.00	40.00	58.68	-18.68	QP	
4	*	0.3620	19.60	20.00	39.60	48.68	-9.08	AVG	
5		0.8180	12.70	19.99	32.69	56.00	-23.31	QP	
6		0.8180	9.30	19.99	29.29	46.00	-16.71	AVG	
7		0.9180	12.60	19.91	32.51	56.00	-23.49	QP	
8		0.9180	8.30	19.91	28.21	46.00	-17.79	AVG	
9		2.2500	9.40	20.51	29.91	56.00	-26.09	QP	
10		2.2500	2.13	20.51	22.64	46.00	-23.36	AVG	
11		2.5700	9.90	20.46	30.36	56.00	-25.64	QP	
12		2.5700	1.90	20.46	22.36	46.00	-23.64	AVG	

\*:Maximum data    x:Over limit    †:over margin

File :MH-2018-A0204>Data :#3

Page: 1

Unless otherwise stated the results shown in this test report refer only to the sample(s) tested and such sample(s) are retained for 90 days only.

除非另有說明，此報告結果僅對測試之樣品負責，同時此樣品僅保留90天。本報告未經本公司書面許可，不可部份複製。

This document is issued by the Company subject to its General Conditions of Service printed overleaf, available on request or accessible at [www.sgs.com/terms\\_and\\_conditions.htm](http://www.sgs.com/terms_and_conditions.htm) and for electronic format documents, subject to Terms and Conditions for Electronic Documents at [www.sgs.com/terms\\_e-document.htm](http://www.sgs.com/terms_e-document.htm). Attention is drawn to the limitation of liability, indemnification and jurisdiction issues defined therein. Any holder of this document is advised that information contained hereon reflects the Company's findings at the time of its intervention only and within the limits of Client's instructions, if any. The Company's sole responsibility is to its Client and this document does not exonerate parties to a transaction from exercising all their rights and obligations under the transaction documents. This document cannot be reproduced except in full, without prior written approval of the Company. Any unauthorized alteration, forgery or falsification of the content or appearance of this document is unlawful and offenders may be prosecuted to the fullest extent of the law.



### Config\_2\_N

Site : Conduction Room      Phase: **N**      Temperature: 23 °C  
 Limit: FCC Class B Conduction(QP)      Power: AC 120V/60Hz      Humidity: 64 %  
 Mode: config\_2  
 Note: Data write

#### Conducted Emission



No.	Mk.	Freq.	Reading Level	Correct Factor	Measurement	Limit	Over	Detector	Comment
		MHz	dBuV	dB	dBuV	dBuV	dB		
1		0.3180	14.80	19.92	34.72	59.76	-25.04	QP	
2		0.3180	8.10	19.92	28.02	49.76	-21.74	AVG	
3		0.3620	20.40	19.99	40.39	58.68	-18.29	QP	
4	*	0.3620	19.40	19.99	39.39	48.68	-9.29	AVG	
5		0.8180	12.90	19.98	32.88	56.00	-23.12	QP	
6		0.8180	9.70	19.98	29.68	46.00	-16.32	AVG	
7		0.9180	12.90	19.90	32.80	56.00	-23.20	QP	
8		0.9180	8.50	19.90	28.40	46.00	-17.60	AVG	
9		2.4740	10.24	20.45	30.69	56.00	-25.31	QP	
10		2.4740	2.75	20.45	23.20	46.00	-22.80	AVG	
11		2.9220	9.30	20.37	29.67	56.00	-26.33	QP	
12		2.9220	1.30	20.37	21.67	46.00	-24.33	AVG	

\*:Maximum data    x:Over limit    †:over margin

File :MH-2018-A0204>Data :#4

Page: 1

Unless otherwise stated the results shown in this test report refer only to the sample(s) tested and such sample(s) are retained for 90 days only.

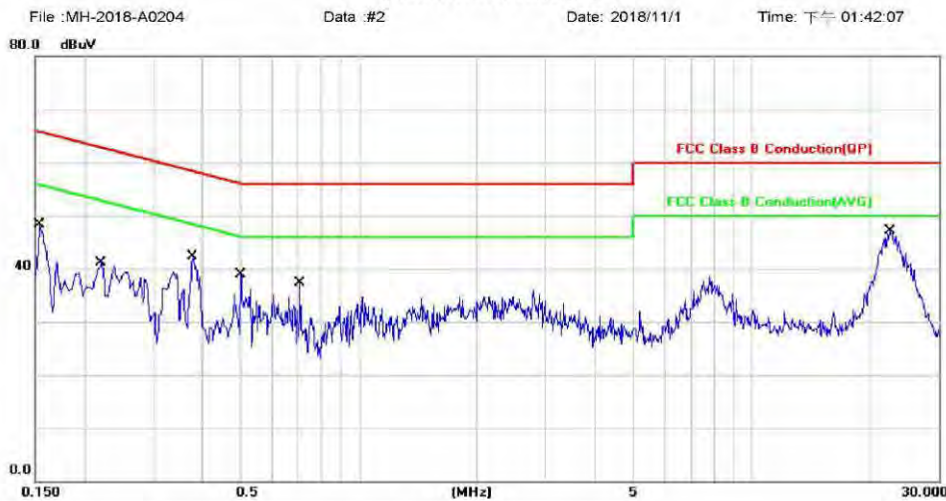
除非另有說明，此報告結果僅對測試之樣品負責，同時此樣品僅保留90天。本報告未經本公司書面許可，不可部份複製。

This document is issued by the Company subject to its General Conditions of Service printed overleaf, available on request or accessible at [www.sgs.com/terms\\_and\\_conditions.htm](http://www.sgs.com/terms_and_conditions.htm) and for electronic format documents, subject to Terms and Conditions for Electronic Documents at [www.sgs.com/terms\\_e-document.htm](http://www.sgs.com/terms_e-document.htm). Attention is drawn to the limitation of liability, indemnification and jurisdiction issues defined therein. Any holder of this document is advised that information contained hereon reflects the Company's findings at the time of its intervention only and within the limits of Client's instructions, if any. The Company's sole responsibility is to its Client and this document does not exonerate parties to a transaction from exercising all their rights and obligations under the transaction documents. This document cannot be reproduced except in full, without prior written approval of the Company. Any unauthorized alteration, forgery or falsification of the content or appearance of this document is unlawful and offenders may be prosecuted to the fullest extent of the law.

### Config\_4\_L

Site : Conduction Room      Phase: **L1**      Temperature: 23 °C  
 Limit: FCC Class B Conduction(QP)      Power: AC 120V/60Hz      Humidity: 64 %  
 Mode: config\_4  
 Note: charging

#### Conducted Emission



No.	Mk.	Freq.	Reading Level	Correct Factor	Measurement	Limit	Over	Detector	Comment
		MHz	dBuV	dB	dBuV	dBuV	dB		
1		0.1540	28.50	19.66	48.16	65.78	-17.62	QP	
2		0.1540	13.80	19.66	33.46	55.78	-22.32	AVG	
3		0.2220	18.90	19.78	38.68	62.74	-24.06	QP	
4		0.2220	10.40	19.78	30.18	52.74	-22.56	AVG	
5		0.3780	20.81	20.03	40.84	58.32	-17.48	QP	
6 *		0.3780	17.70	20.03	37.73	48.32	-10.59	AVG	
7		0.5020	14.40	20.23	34.63	56.00	-21.37	QP	
8		0.5020	4.90	20.23	25.13	46.00	-20.87	AVG	
9		0.7100	9.66	20.07	29.73	56.00	-26.27	QP	
10		0.7100	2.70	20.07	22.77	46.00	-23.23	AVG	
11		22.6100	21.42	20.09	41.51	60.00	-18.49	QP	
12		22.6100	12.90	20.09	32.99	50.00	-17.01	AVG	

\*:Maximum data    x:Over limit    †:over margin

File :MH-2018-A0204>Data :#2

Page: 1

Unless otherwise stated the results shown in this test report refer only to the sample(s) tested and such sample(s) are retained for 90 days only.

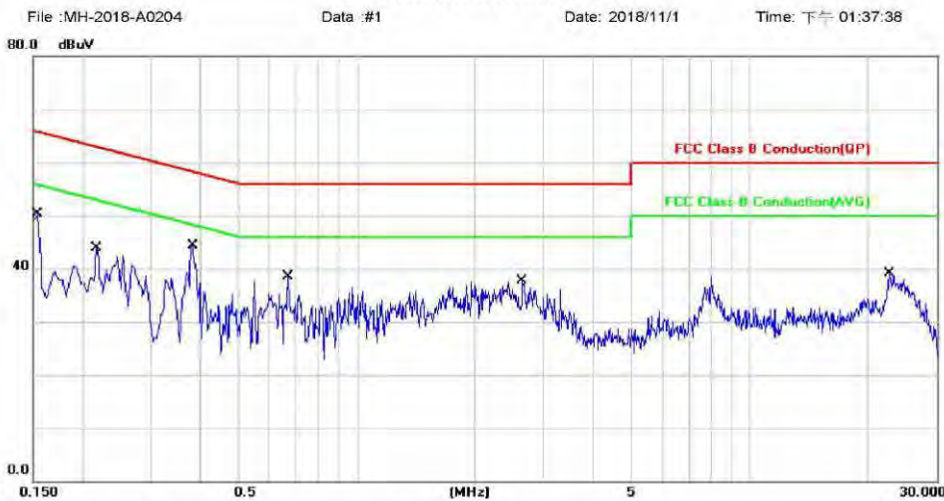
除非另有說明，此報告結果僅對測試之樣品負責，同時此樣品僅保留90天。本報告未經本公司書面許可，不可部份複製。

This document is issued by the Company subject to its General Conditions of Service printed overleaf, available on request or accessible at [www.sgs.com/terms\\_and\\_conditions.htm](http://www.sgs.com/terms_and_conditions.htm) and for electronic format documents, subject to Terms and Conditions for Electronic Documents at [www.sgs.com/terms\\_e-document.htm](http://www.sgs.com/terms_e-document.htm). Attention is drawn to the limitation of liability, indemnification and jurisdiction issues defined therein. Any holder of this document is advised that information contained hereon reflects the Company's findings at the time of its intervention only and within the limits of Client's instructions, if any. The Company's sole responsibility is to its Client and this document does not exonerate parties to a transaction from exercising all their rights and obligations under the transaction documents. This document cannot be reproduced except in full, without prior written approval of the Company. Any unauthorized alteration, forgery or falsification of the content or appearance of this document is unlawful and offenders may be prosecuted to the fullest extent of the law.

### Config\_4\_N

Site : Conduction Room      Phase: **N**      Temperature: 23 °C  
 Limit: FCC Class B Conduction(QP)      Power: AC 120V/60Hz      Humidity: 64 %  
 Mode: config\_4  
 Note: charging

#### Conducted Emission



No.	Mk.	Freq.	Reading Level	Correct Factor	Measurement	Limit	Over	Detector	Comment
		MHz	dBuV	dB	dBuV	dBuV	dB		
1		0.1540	29.00	19.65	48.65	65.78	-17.13	QP	
2		0.1540	14.80	19.65	34.45	55.78	-21.33	AVG	
3		0.2180	21.50	19.75	41.25	62.89	-21.64	QP	
4		0.2180	12.91	19.75	32.66	52.89	-20.23	AVG	
5		0.3820	23.30	20.02	43.32	58.24	-14.92	QP	
6 *		0.3820	19.47	20.02	39.49	48.24	-8.75	AVG	
7		0.6700	14.70	20.08	34.78	56.00	-21.22	QP	
8		0.6700	5.30	20.08	25.38	46.00	-20.62	AVG	
9		2.6500	10.80	20.42	31.22	56.00	-24.78	QP	
10		2.6500	4.54	20.42	24.96	46.00	-21.04	AVG	
11		22.7580	12.60	20.12	32.72	60.00	-27.28	QP	
12		22.7580	5.04	20.12	25.16	50.00	-24.84	AVG	

\*:Maximum data    x:Over limit    †:over margin

File :MH-2018-A0204>Data :#1

Page: 1

Unless otherwise stated the results shown in this test report refer only to the sample(s) tested and such sample(s) are retained for 90 days only.

除非另有說明，此報告結果僅對測試之樣品負責，同時此樣品僅保留90天。本報告未經本公司書面許可，不可部份複製。

This document is issued by the Company subject to its General Conditions of Service printed overleaf, available on request or accessible at [www.sgs.com/terms\\_and\\_conditions.htm](http://www.sgs.com/terms_and_conditions.htm) and for electronic format documents, subject to Terms and Conditions for Electronic Documents at [www.sgs.com/terms\\_e-document.htm](http://www.sgs.com/terms_e-document.htm). Attention is drawn to the limitation of liability, indemnification and jurisdiction issues defined therein. Any holder of this document is advised that information contained hereon reflects the Company's findings at the time of its intervention only and within the limits of Client's instructions, if any. The Company's sole responsibility is to its Client and this document does not exonerate parties to a transaction from exercising all their rights and obligations under the transaction documents. This document cannot be reproduced except in full, without prior written approval of the Company. Any unauthorized alteration, forgery or falsification of the content or appearance of this document is unlawful and offenders may be prosecuted to the fullest extent of the law.



## 2.5 Test of Radiated Emission

### 2.5.1 Test Equipments

#### Below 1GHz

SGS Radiated_Below_1GHz HWAYA 10m_EMC					
EQUIPMENT TYPE	Manufacturer	Model Number	Serial Number	Calibration Date	Calibration Due
EMI Test Receiver	R&S	ESCI 7	100950	2017/12/12	2018/12/11
EMI Test Receiver	R&S	ESCI 3	101343	2018/1/31	2019/1/30
Broadband Antenna	SCHWAZBECK	VULB9168	9168-628	2018/9/7	2019/9/6
Broadband Antenna	SCHWAZBECK	VULB9168	9168-629	2018/9/7	2019/9/6
Pre Amplifier	EMC Instruments Corp.	EMC330	980178	2018/3/31	2019/3/30
Pre Amplifier	EMC Instruments Corp.	EMC330	980179	2018/3/31	2019/3/30
Coaxial Cable	EMC Instruments	EMCCFD400-NM-NM	150917	2018/9/18	2019/9/17
Coaxial Cable	EMC Instruments	EMCCFD400-NM-NM	150919	2018/9/18	2019/9/17
Coaxial Cable	EMC Instruments	EMCCFD400-NM-NM	150820	2018/9/18	2019/9/17
Coaxial Cable	EMC Instruments	EMCCFD400-NM-NM	150918	2018/9/18	2019/9/17
Coaxial Cable	EMC Instruments	EMCCFD400-NM-NM	150821	2018/9/18	2019/9/17
Coaxial Cable	EMC Instruments	EMCCFD400-NM-NM	150822	2018/9/18	2019/9/17
Universal Digital Radio Communication Tester	R&S	CMU 200	119988	2018/2/22	2019/2/21
Wideband Radio Communication Tester	R&S	CMW 500	152303	2018/2/21	2019/2/20
Controller	MF	MF-7802	N/A	N.C.R.	N.C.R.
Controller	MF	MF-7802	N/A	N.C.R.	N.C.R.
Antenna Master	MF	N/A	N/A	N.C.R.	N.C.R.
Antenna Master	MF	N/A	N/A	N.C.R.	N.C.R.
Antenna Master	MF	N/A	N/A	N.C.R.	N.C.R.
Turn Table	MF	N/A	N/A	N.C.R.	N.C.R.
Site NSA	Chance Most	10M Chamber	10M SAC	2017/12/31	2018/12/30
Test S/W	Farad	EZ-EMC	Ver. SGS-03A2	N.C.R.	N.C.R.

SGS Taiwan LTD. Electronics & Communication Laboratory

No.2, Keji 1st Rd., Guishan Dist., Taoyuan City 333, Taiwan (R.O.C.)

Measurement Uncertainty of Radiated Emission

Expanded uncertainty Ulab (K=2) of radiated emission is 4.09 dB. (30MHz ~ 1000MHz)

Theory values uncertainty Ucispr 16-4-2:2011+A1:2014 (K=2) of radiated emission is 5.22 dB. (30MHz ~ 1000MHz)

Unless otherwise stated the results shown in this test report refer only to the sample(s) tested and such sample(s) are retained for 90 days only.

除非另有說明，此報告結果僅對測試之樣品負責，同時此樣品僅保留90天。本報告未經本公司書面許可，不可部份複製。

This document is issued by the Company subject to its General Conditions of Service printed overleaf, available on request or accessible at [www.sgs.com/terms\\_and\\_conditions.htm](http://www.sgs.com/terms_and_conditions.htm) and for electronic format documents, subject to Terms and Conditions for Electronic Documents at [www.sgs.com/terms\\_e-document.htm](http://www.sgs.com/terms_e-document.htm). Attention is drawn to the limitation of liability, indemnification and jurisdiction issues defined therein. Any holder of this document is advised that information contained hereon reflects the Company's findings at the time of its intervention only and within the limits of Client's instructions, if any. The Company's sole responsibility is to its Client and this document does not exonerate parties to a transaction from exercising all their rights and obligations under the transaction documents. This document cannot be reproduced except in full, without prior written approval of the Company. Any unauthorized alteration, forgery or falsification of the content or appearance of this document is unlawful and offenders may be prosecuted to the fullest extent of the law.



## Above 1GHz

SGS Radiated_Above_1GHz HWAYA 966A EMC					
EQUIPMENT TYPE	Manufacturer	Model Number	Serial Number	Calibration Date	Calibration Due
Spectrum Analyzer	R&S	FSV 40	101419	2018/5/15	2019/5/14
EMI Test Receiver	R&S	ESR 7	101459	2018/2/21	2019/2/20
Horn Antenna	SCHWARZBECK	BBHA9120D	BBHA9120D28 5	2018/10/26	2019/10/25
Horn Antenna	Schwarzbeck	BBHA9170	BBHA9170-184	2017/12/12	2018/12/11
Pre Amplifier	EMC Instruments Corp.	EMC012645B	980216	2018/3/31	2019/3/30
Pre Amplifier	EMC Instruments Corp.	EMC184045B	980135	2018/10/27	2019/10/26
Coaxial Cable	JUNFLOW	MWX221-NMSNMS	J0778929	2018/4/23	2019/4/22
Coaxial Cable	Huber+Suhner	SUCCOFLEX 104PEA	30255/4PEA	2018/4/23	2019/4/22
Coaxial Cable	EMC Instruments	EMC104-SM-SM	140927	2018/4/23	2019/4/22
Coaxial Cable	Huber+Suhner	SUCOFLEX 102	MY 2651/2	2018/6/5	2019/6/4
Coaxial Cable	Huber+Suhner	SUCOFLEX 102	MY 2153/2	2018/6/5	2019/6/4
Universal Digital Radio Communication Tester	R&S	CMU 200	119988	2018/2/22	2019/2/21
Wideband Radio Communication Tester	R&S	CMW 500	152303	2018/2/21	2019/2/20
Controller	MF	MF-7802	N.C.R.	N.C.R.	N.C.R.
Antenna Master	MF	N/A	N/A	N.C.R.	N.C.R.
Turn Table	MF	N/A	N/A	N.C.R.	N.C.R.
Site VSWR	SGS	966 Chamber A	SAC-A	2018/1/12	2019/1/11
Test S/W	Farad	EZ-EMC	Ver. SGS-03A2	N.C.R.	N.C.R.

SGS Taiwan LTD. Electronics & Communication Laboratory  
 No.2, Keji 1st Rd., Guishan Dist., Taoyuan City 333, Taiwan (R.O.C.)  
 Measurement Uncertainty of Radiated Emission  
 Expanded uncertainty (k=2) of radiated emission measurement is 5.05 dB. (1-6GHz)  
 Expanded uncertainty (k=2) of radiated emission measurement is 5.07 dB. (6-18GHz)  
 Expanded uncertainty Ulab (k=2) of radiated emission measurement is 5.19 dB. (18-26GHz)  
 Expanded uncertainty Ulab (k=2) of radiated emission measurement is 5.14 dB. (26-40GHz)  
 Theory values uncertainty Ucispr 16-4-2:2011+A1:2014 (K=2) of radiated emission measurement is 5.18 dB.(1-6GHz)  
 Theory values uncertainty Ucispr 16-4-2:2011+A1:2014 (K=2) of radiated emission measurement is 5.48 dB.(6-18GHz)  
 Theory values uncertainty Ucispr 16-4-2:2011+A1:2014 (K=2) of radiated emission measurement is ---- dB.(18-26GHz)  
 Theory values uncertainty Ucispr 16-4-2:2011+A1:2014 (K=2) of radiated emission measurement is ---- dB.(26-40GHz)

Unless otherwise stated the results shown in this test report refer only to the sample(s) tested and such sample(s) are retained for 90 days only.  
 除非另有說明，此報告結果僅對測試之樣品負責，同時此樣品僅保留90天。本報告未經本公司書面許可，不可部份複製。

This document is issued by the Company subject to its General Conditions of Service printed overleaf, available on request or accessible at [www.sgs.com/terms\\_and\\_conditions.htm](http://www.sgs.com/terms_and_conditions.htm) and for electronic format documents, subject to Terms and Conditions for Electronic Documents at [www.sgs.com/terms\\_e-document.htm](http://www.sgs.com/terms_e-document.htm). Attention is drawn to the limitation of liability, indemnification and jurisdiction issues defined therein. Any holder of this document is advised that information contained hereon reflects the Company's findings at the time of its intervention only and within the limits of Client's instructions, if any. The Company's sole responsibility is to its Client and this document does not exonerate parties to a transaction from exercising all their rights and obligations under the transaction documents. This document cannot be reproduced except in full, without prior written approval of the Company. Any unauthorized alteration, forgery or falsification of the content or appearance of this document is unlawful and offenders may be prosecuted to the fullest extent of the law.



### 2.5.2 Operating Environment

Temperature : 24 degree C

Humidity : 66 %RH

Atmospheric Pressure : 996 mBar

### 2.5.3 Measurement Level Calculation

Correction Factor = Antenna Factor + Cable loss- Amplifier Gain

Measurement Level = Reading Level + Correction Factor

Over (Margin) = Measurement Level – Limit

Unless otherwise stated the results shown in this test report refer only to the sample(s) tested and such sample(s) are retained for 90 days only.  
除非另有說明，此報告結果僅對測試之樣品負責，同時此樣品僅保留90天。本報告未經本公司書面許可，不可部份複製。

This document is issued by the Company subject to its General Conditions of Service printed overleaf, available on request or accessible at [www.sgs.com/terms\\_and\\_conditions.htm](http://www.sgs.com/terms_and_conditions.htm) and for electronic format documents, subject to Terms and Conditions for Electronic Documents at [www.sgs.com/terms\\_e-document.htm](http://www.sgs.com/terms_e-document.htm). Attention is drawn to the limitation of liability, indemnification and jurisdiction issues defined therein. Any holder of this document is advised that information contained hereon reflects the Company's findings at the time of its intervention only and within the limits of Client's instructions, if any. The Company's sole responsibility is to its Client and this document does not exonerate parties to a transaction from exercising all their rights and obligations under the transaction documents. This document cannot be reproduced except in full, without prior written approval of the Company. Any unauthorized alteration, forgery or falsification of the content or appearance of this document is unlawful and offenders may be prosecuted to the fullest extent of the law.

SGS Taiwan Ltd.

No.134,Wu Kung Road, New Taipei Industrial Park, Wuku District, New Taipei City, Taiwan 24803/新北市五股區新北產業園區五工路 134 號

台灣檢驗科技股份有限公司

t (886-2) 2299-3279

f (886-2) 2298-0488

[www.tw.sgs.com](http://www.tw.sgs.com)

Member of SGS Group



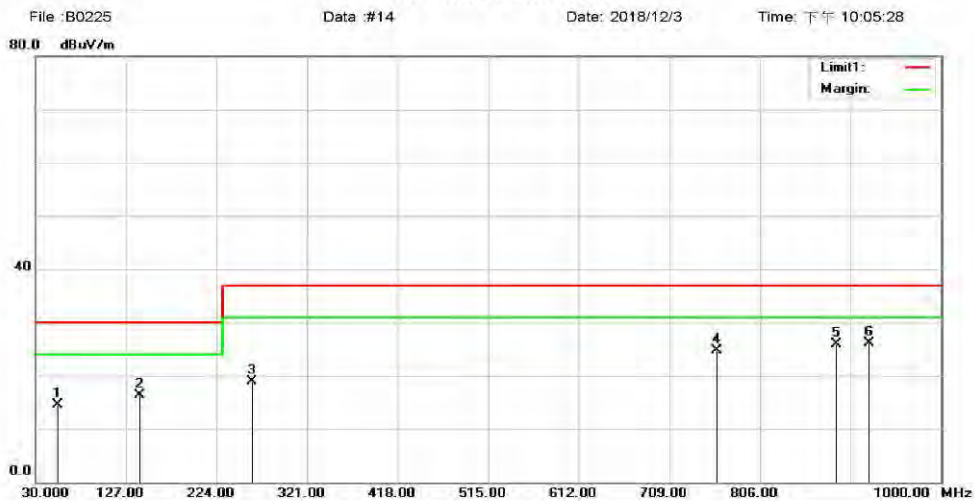
2.5.4 Measurement Data

Below 1GHz

Config\_1\_H

Site: SGS 10m Chamber      Polarization: **Horizontal**      Temperature: 24 °C  
 Limit: CISPR22 Class B 10M Radiation      Power: AC 120V/60Hz      Humidity: 66 %  
 Mode: Config\_1      Distance: 10m  
 Note: WCDMA B05

Radiated Emission



No.	Mk.	Freq. MHz	Reading Level dBuV	Correct Factor dB/m	Measurement dBuV/m	Limit dBuV/m	Over dB	Detector	Comment
1		53.2800	25.65	-11.13	14.52	30.00	-15.48	QP	
2		141.5500	27.82	-11.51	16.31	30.00	-13.69	QP	
3		261.8300	30.71	-11.76	18.95	37.00	-18.05	QP	
4		760.4100	23.96	0.77	24.73	37.00	-12.27	QP	
5		887.4800	24.18	1.75	25.93	37.00	-11.07	QP	
6 *		923.3700	23.45	2.72	26.17	37.00	-10.83	QP	

\*:Maximum data    x:Over limit    !:over margin

File :B0225\Data :#14

Page: 1

Unless otherwise stated the results shown in this test report refer only to the sample(s) tested and such sample(s) are retained for 90 days only.

除非另有說明，此報告結果僅對測試之樣品負責，同時此樣品僅保留90天。本報告未經本公司書面許可，不可部份複製。

This document is issued by the Company subject to its General Conditions of Service printed overleaf, available on request or accessible at [www.sgs.com/terms\\_and\\_conditions.htm](http://www.sgs.com/terms_and_conditions.htm) and for electronic format documents, subject to Terms and Conditions for Electronic Documents at [www.sgs.com/terms\\_e-document.htm](http://www.sgs.com/terms_e-document.htm). Attention is drawn to the limitation of liability, indemnification and jurisdiction issues defined therein. Any holder of this document is advised that information contained hereon reflects the Company's findings at the time of its intervention only and within the limits of Client's instructions, if any. The Company's sole responsibility is to its Client and this document does not exonerate parties to a transaction from exercising all their rights and obligations under the transaction documents. This document cannot be reproduced except in full, without prior written approval of the Company. Any unauthorized alteration, forgery or falsification of the content or appearance of this document is unlawful and offenders may be prosecuted to the fullest extent of the law.



## Config\_1\_V

Site: SGS 10m Chamber	Polarization: <b>Vertical</b>	Temperature: 24 °C
Limit: CISPR22 Class B 10M Radiation	Power: AC 120V/60Hz	Humidity: 66 %
Mode: Config_1	Distance: 10m	
Note: WCDMA B05		

### Radiated Emission



No.	Mk.	Freq.	Reading Level	Correct Factor	Measurement	Limit	Over	Detector	Comment
		MHz	dBuV	dB/m	dBuV/m	dBuV/m	dB		
1		65.8900	31.67	-12.73	18.94	30.00	-11.06	QP	
2	*	196.8400	38.89	-13.99	24.90	30.00	-5.10	QP	
3		760.4100	24.65	0.00	24.65	37.00	-12.35	QP	
4		826.3700	25.25	0.38	25.63	37.00	-11.37	QP	
5		915.6100	24.58	1.81	26.39	37.00	-10.61	QP	
6		959.2600	24.87	1.94	26.81	37.00	-10.19	QP	

\*:Maximum data    x:Over limit    !:over margin

File :B0225\Data :#13

Page: 1

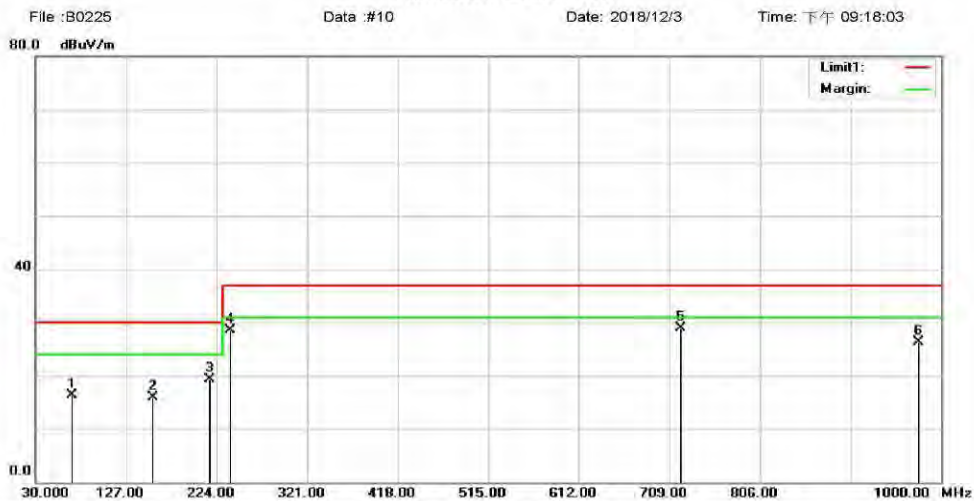
Unless otherwise stated the results shown in this test report refer only to the sample(s) tested and such sample(s) are retained for 90 days only.  
 除非另有說明，此報告結果僅對測試之樣品負責，同時此樣品僅保留90天。本報告未經本公司書面許可，不可部份複製。

This document is issued by the Company subject to its General Conditions of Service printed overleaf, available on request or accessible at [www.sgs.com/terms\\_and\\_conditions.htm](http://www.sgs.com/terms_and_conditions.htm) and for electronic format documents, subject to Terms and Conditions for Electronic Documents at [www.sgs.com/terms\\_e-document.htm](http://www.sgs.com/terms_e-document.htm). Attention is drawn to the limitation of liability, indemnification and jurisdiction issues defined therein. Any holder of this document is advised that information contained hereon reflects the Company's findings at the time of its intervention only and within the limits of Client's instructions, if any. The Company's sole responsibility is to its Client and this document does not exonerate parties to a transaction from exercising all their rights and obligations under the transaction documents. This document cannot be reproduced except in full, without prior written approval of the Company. Any unauthorized alteration, forgery or falsification of the content or appearance of this document is unlawful and offenders may be prosecuted to the fullest extent of the law.

### Config\_2\_H

Site: SGS 10m Chamber	Polarization: <i>Horizontal</i>	Temperature: 24 °C
Limit: CISPR22 Class B 10M Radiation	Power: From System	Humidity: 66 %
Mode: Config_2	Distance: 10m	
Note: Data Write		

### Radiated Emission



No.	Mk.	Freq.	Reading Level	Correct Factor	Measurement	Limit	Over	Detector	Comment
		MHz	dBuV	dB/m	dBuV/m	dBuV/m	dB		
1		69.7700	29.87	-13.65	16.22	30.00	-13.78	QP	
2		156.1000	26.98	-11.17	15.81	30.00	-14.19	QP	
3		216.2400	33.54	-14.17	19.37	30.00	-10.63	QP	
4		238.5500	40.93	-12.51	28.42	37.00	-8.58	QP	
5 *		720.6400	29.65	-0.70	28.95	37.00	-8.05	QP	
6		975.7500	23.26	3.07	26.33	37.00	-10.67	QP	

\*:Maximum data    x:Over limit    !:over margin

File :B0225\Data :#10

Page: 1

Unless otherwise stated the results shown in this test report refer only to the sample(s) tested and such sample(s) are retained for 90 days only.

除非另有說明，此報告結果僅對測試之樣品負責，同時此樣品僅保留90天。本報告未經本公司書面許可，不可部份複製。

This document is issued by the Company subject to its General Conditions of Service printed overleaf, available on request or accessible at [www.sgs.com/terms\\_and\\_conditions.htm](http://www.sgs.com/terms_and_conditions.htm) and for electronic format documents, subject to Terms and Conditions for Electronic Documents at [www.sgs.com/terms\\_e-document.htm](http://www.sgs.com/terms_e-document.htm). Attention is drawn to the limitation of liability, indemnification and jurisdiction issues defined therein. Any holder of this document is advised that information contained hereon reflects the Company's findings at the time of its intervention only and within the limits of Client's instructions, if any. The Company's sole responsibility is to its Client and this document does not exonerate parties to a transaction from exercising all their rights and obligations under the transaction documents. This document cannot be reproduced except in full, without prior written approval of the Company. Any unauthorized alteration, forgery or falsification of the content or appearance of this document is unlawful and offenders may be prosecuted to the fullest extent of the law.

### Config\_2\_V

Site: SGS 10m Chamber	Polarization: <b>Vertical</b>	Temperature: 24 °C
Limit: CISPR22 Class B 10M Radiation	Power: From System	Humidity: 66 %
Mode: Config_2	Distance: 10m	
Note: Data Write		

### Radiated Emission



No.	Mk.	Freq.	Reading Level	Correct Factor	Measurement	Limit	Over	Detector	Comment
		MHz	dBuV	dB/m	dBuV/m	dBuV/m	dB		
1	*	45.5200	36.23	-10.94	25.29	30.00	-4.71	QP	
2		119.2400	33.53	-13.22	20.31	30.00	-9.69	QP	
3		178.4100	35.84	-12.02	23.82	30.00	-6.18	QP	
4		239.5200	39.67	-12.73	26.94	37.00	-10.06	QP	
5		942.7700	24.60	1.95	26.55	37.00	-10.45	QP	
6		996.1200	24.50	2.20	26.70	37.00	-10.30	QP	

\*:Maximum data    x:Over limit    !:over margin

File :B0225\Data #9

Page: 1

Unless otherwise stated the results shown in this test report refer only to the sample(s) tested and such sample(s) are retained for 90 days only.

除非另有說明，此報告結果僅對測試之樣品負責，同時此樣品僅保留90天。本報告未經本公司書面許可，不可部份複製。

This document is issued by the Company subject to its General Conditions of Service printed overleaf, available on request or accessible at [www.sgs.com/terms\\_and\\_conditions.htm](http://www.sgs.com/terms_and_conditions.htm) and for electronic format documents, subject to Terms and Conditions for Electronic Documents at [www.sgs.com/terms\\_e-document.htm](http://www.sgs.com/terms_e-document.htm). Attention is drawn to the limitation of liability, indemnification and jurisdiction issues defined therein. Any holder of this document is advised that information contained hereon reflects the Company's findings at the time of its intervention only and within the limits of Client's instructions, if any. The Company's sole responsibility is to its Client and this document does not exonerate parties to a transaction from exercising all their rights and obligations under the transaction documents. This document cannot be reproduced except in full, without prior written approval of the Company. Any unauthorized alteration, forgery or falsification of the content or appearance of this document is unlawful and offenders may be prosecuted to the fullest extent of the law.



### Config\_3\_H

Site: SGS 10m Chamber      Polarization: *Horizontal*      Temperature: 24 °C  
 Limit: CISPR22 Class B 10M Radiation      Power: From Battery      Humidity: 66 %  
 Mode: Config\_3      Distance: 10m  
 Note: Play MP3

### Radiated Emission



No.	Mk.	Freq. MHz	Reading Level dBuV	Correct Factor dB/m	Measure- ment dBuV/m	Limit dBuV/m	Over dB	Detector	Comment
1		53.2800	26.71	-11.13	15.58	30.00	-14.42	QP	
2		147.3700	26.36	-10.99	15.37	30.00	-14.63	QP	
3		218.1800	31.05	-14.13	16.92	30.00	-13.08	QP	
4		261.8300	33.58	-11.76	21.82	37.00	-15.18	QP	
5		892.3300	24.55	1.82	26.37	37.00	-10.63	QP	
6 *		959.2600	23.76	3.19	26.95	37.00	-10.05	QP	

\*:Maximum data    x:Over limit    !:over margin

File :B0225\Data :#12

Page: 1

Unless otherwise stated the results shown in this test report refer only to the sample(s) tested and such sample(s) are retained for 90 days only.

除非另有說明，此報告結果僅對測試之樣品負責，同時此樣品僅保留90天。本報告未經本公司書面許可，不可部份複製。

This document is issued by the Company subject to its General Conditions of Service printed overleaf, available on request or accessible at [www.sgs.com/terms\\_and\\_conditions.htm](http://www.sgs.com/terms_and_conditions.htm) and for electronic format documents, subject to Terms and Conditions for Electronic Documents at [www.sgs.com/terms\\_e-document.htm](http://www.sgs.com/terms_e-document.htm). Attention is drawn to the limitation of liability, indemnification and jurisdiction issues defined therein. Any holder of this document is advised that information contained hereon reflects the Company's findings at the time of its intervention only and within the limits of Client's instructions, if any. The Company's sole responsibility is to its Client and this document does not exonerate parties to a transaction from exercising all their rights and obligations under the transaction documents. This document cannot be reproduced except in full, without prior written approval of the Company. Any unauthorized alteration, forgery or falsification of the content or appearance of this document is unlawful and offenders may be prosecuted to the fullest extent of the law.



### Config\_3\_V

Site: SGS 10m Chamber	Polarization: <b>Vertical</b>	Temperature: 24 °C
Limit: CISPR22 Class B 10M Radiation	Power: From Battery	Humidity: 66 %
Mode: Config_3	Distance: 10m	
Note: Play MP3		

### Radiated Emission



No.	Mk.	Freq.	Reading Level	Correct Factor	Measurement	Limit	Over	Detector	Comment
		MHz	dBuV	dB/m	dBuV/m	dBuV/m	dB		
1		30.9700	28.33	-12.11	16.22	30.00	-13.78	QP	
2		57.1600	26.46	-11.05	15.41	30.00	-14.59	QP	
3		164.8300	26.44	-11.07	15.37	30.00	-14.63	QP	
4		307.4200	32.58	-9.78	22.80	37.00	-14.20	QP	
5		929.1900	24.03	1.91	25.94	37.00	-11.06	QP	
6 *		992.2400	24.21	2.16	26.37	37.00	-10.63	QP	

\*:Maximum data    x:Over limit    !:over margin

File :B0225\Data :#11

Page: 1

Unless otherwise stated the results shown in this test report refer only to the sample(s) tested and such sample(s) are retained for 90 days only.

除非另有說明，此報告結果僅對測試之樣品負責，同時此樣品僅保留90天。本報告未經本公司書面許可，不可部份複製。

This document is issued by the Company subject to its General Conditions of Service printed overleaf, available on request or accessible at [www.sgs.com/terms\\_and\\_conditions.htm](http://www.sgs.com/terms_and_conditions.htm) and for electronic format documents, subject to Terms and Conditions for Electronic Documents at [www.sgs.com/terms\\_e-document.htm](http://www.sgs.com/terms_e-document.htm). Attention is drawn to the limitation of liability, indemnification and jurisdiction issues defined therein. Any holder of this document is advised that information contained hereon reflects the Company's findings at the time of its intervention only and within the limits of Client's instructions, if any. The Company's sole responsibility is to its Client and this document does not exonerate parties to a transaction from exercising all their rights and obligations under the transaction documents. This document cannot be reproduced except in full, without prior written approval of the Company. Any unauthorized alteration, forgery or falsification of the content or appearance of this document is unlawful and offenders may be prosecuted to the fullest extent of the law.



### Config\_4\_H

Site: SGS 10m Chamber	Polarization: <i>Horizontal</i>	Temperature: 24 °C
Limit: CISPR22 Class B 10M Radiation	Power: AC 120V/60Hz	Humidity: 66 %
Mode: Config_4	Distance: 10m	
Note: Charging		

### Radiated Emission



No.	Mk.	Freq. MHz	Reading Level dBuV	Correct Factor dB/m	Measurement dBuV/m	Limit dBuV/m	Over dB	Detector	Comment
1	*	31.9400	32.18	-12.33	19.85	30.00	-10.15	QP	
2		44.5500	27.67	-11.25	16.42	30.00	-13.58	QP	
3		98.8700	32.06	-16.33	15.73	30.00	-14.27	QP	
4		124.0900	29.50	-13.31	16.19	30.00	-13.81	QP	
5		924.3400	23.02	2.80	25.82	37.00	-11.18	QP	
6		966.0500	23.36	3.10	26.46	37.00	-10.54	QP	

\*:Maximum data    x:Over limit    !:over margin

File :B0225\Data :#16

Page: 1

Unless otherwise stated the results shown in this test report refer only to the sample(s) tested and such sample(s) are retained for 90 days only.

除非另有說明，此報告結果僅對測試之樣品負責，同時此樣品僅保留90天。本報告未經本公司書面許可，不可部份複製。

This document is issued by the Company subject to its General Conditions of Service printed overleaf, available on request or accessible at [www.sgs.com/terms\\_and\\_conditions.htm](http://www.sgs.com/terms_and_conditions.htm) and for electronic format documents, subject to Terms and Conditions for Electronic Documents at [www.sgs.com/terms\\_e-document.htm](http://www.sgs.com/terms_e-document.htm). Attention is drawn to the limitation of liability, indemnification and jurisdiction issues defined therein. Any holder of this document is advised that information contained hereon reflects the Company's findings at the time of its intervention only and within the limits of Client's instructions, if any. The Company's sole responsibility is to its Client and this document does not exonerate parties to a transaction from exercising all their rights and obligations under the transaction documents. This document cannot be reproduced except in full, without prior written approval of the Company. Any unauthorized alteration, forgery or falsification of the content or appearance of this document is unlawful and offenders may be prosecuted to the fullest extent of the law.

### Config\_4\_V

Site: SGS 10m Chamber	Polarization: <b>Vertical</b>	Temperature: 24 °C
Limit: CISPR22 Class B 10M Radiation	Power: AC 120V/60Hz	Humidity: 66 %
Mode: Config_4	Distance: 10m	
Note: Charging		

### Radiated Emission



No.	Mk.	Freq. MHz	Reading Level dBuV	Correct Factor dB/m	Measurement dBuV/m	Limit dBuV/m	Over dB	Detector	Comment
1		54.2500	28.19	-10.95	17.24	30.00	-12.76	QP	
2		153.1900	26.60	-10.78	15.82	30.00	-14.18	QP	
3		199.7500	28.94	-14.01	14.93	30.00	-15.07	QP	
4		807.9400	24.10	0.51	24.61	37.00	-12.39	QP	
5		911.7300	24.51	1.76	26.27	37.00	-10.73	QP	
6	*	970.9000	24.54	2.00	26.54	37.00	-10.46	QP	

\*:Maximum data    x:Over limit    !:over margin

File :B0225\Data :#15

Page: 1

Unless otherwise stated the results shown in this test report refer only to the sample(s) tested and such sample(s) are retained for 90 days only.

除非另有說明，此報告結果僅對測試之樣品負責，同時此樣品僅保留90天。本報告未經本公司書面許可，不可部份複製。

This document is issued by the Company subject to its General Conditions of Service printed overleaf, available on request or accessible at [www.sgs.com/terms\\_and\\_conditions.htm](http://www.sgs.com/terms_and_conditions.htm) and for electronic format documents, subject to Terms and Conditions for Electronic Documents at [www.sgs.com/terms\\_e-document.htm](http://www.sgs.com/terms_e-document.htm). Attention is drawn to the limitation of liability, indemnification and jurisdiction issues defined therein. Any holder of this document is advised that information contained hereon reflects the Company's findings at the time of its intervention only and within the limits of Client's instructions, if any. The Company's sole responsibility is to its Client and this document does not exonerate parties to a transaction from exercising all their rights and obligations under the transaction documents. This document cannot be reproduced except in full, without prior written approval of the Company. Any unauthorized alteration, forgery or falsification of the content or appearance of this document is unlawful and offenders may be prosecuted to the fullest extent of the law.



Above 1GHz

1GHz-18GHz

Config\_1\_H

Site: SGS 966 Chamber A      Polarization: **Horizontal**      Temperature: 21 °C  
 Limit: FCC Class B 3M Radiation(1G-40G)(Pea      Power: AC 120V/60Hz      Humidity: 63 %  
 Mode: Config\_1      Distance:  
 Note: WCDMA B05

Radiated Emission

File : B0225      Data : #12      Date : 2018/11/30      Time : 下午 09:50:31



No.	Mk.	Freq.	Reading Level	Correct Factor	Measurement	Limit	Over	Detector	Comment
		MHz	dBuV	dB/m	dBuV/m	dBuV/m	dB		
1		3142.000	45.85	-9.99	35.86	74.00	-38.14	peak	
2		3397.000	46.23	-10.00	36.23	74.00	-37.77	peak	
3		4689.000	45.90	-7.25	38.65	74.00	-35.35	peak	
4		4978.000	45.97	-6.28	39.69	74.00	-34.31	peak	
5		5369.000	46.97	-5.61	41.36	74.00	-32.64	peak	
6 *		5794.000	46.38	-4.63	41.75	74.00	-32.25	peak	

\*:Maximum data    x:Over limit    !:over margin

File : B0225\Data : #12

Page : 1

Unless otherwise stated the results shown in this test report refer only to the sample(s) tested and such sample(s) are retained for 90 days only.  
 除非另有說明，此報告結果僅對測試之樣品負責，同時此樣品僅保留90天。本報告未經本公司書面許可，不可部份複製。

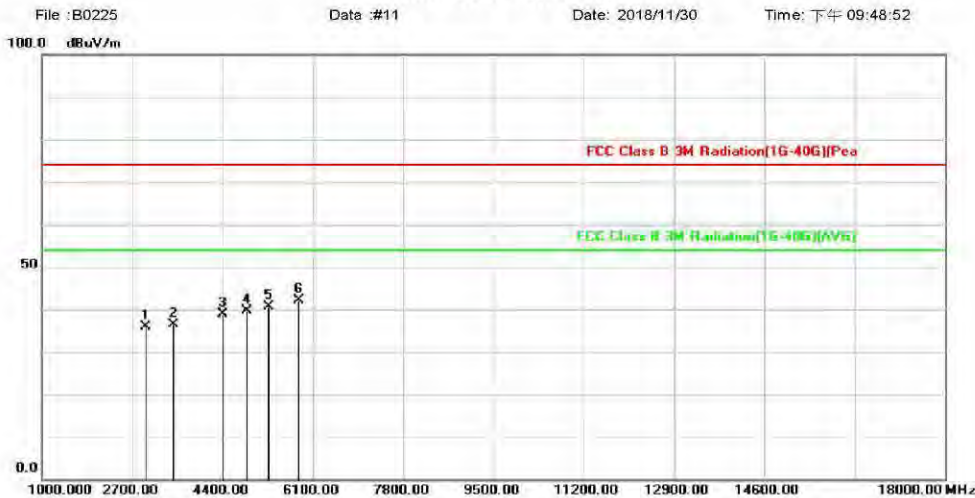
This document is issued by the Company subject to its General Conditions of Service printed overleaf, available on request or accessible at [www.sgs.com/terms\\_and\\_conditions.htm](http://www.sgs.com/terms_and_conditions.htm) and for electronic format documents, subject to Terms and Conditions for Electronic Documents at [www.sgs.com/terms\\_e-document.htm](http://www.sgs.com/terms_e-document.htm). Attention is drawn to the limitation of liability, indemnification and jurisdiction issues defined therein. Any holder of this document is advised that information contained hereon reflects the Company's findings at the time of its intervention only and within the limits of Client's instructions, if any. The Company's sole responsibility is to its Client and this document does not exonerate parties to a transaction from exercising all their rights and obligations under the transaction documents. This document cannot be reproduced except in full, without prior written approval of the Company. Any unauthorized alteration, forgery or falsification of the content or appearance of this document is unlawful and offenders may be prosecuted to the fullest extent of the law.



### Config\_1\_V

Site :SGS 966 Chamber A	Polarization: <b>Vertical</b>	Temperature: 21 °C
Limit: FCC Class B 3M Radiation(1G-40G)(Pea	Power: AC 120V/60Hz	Humidity: 63 %
Mode: Config_1	Distance:	
Note: WCDMA B05		

### Radiated Emission



No.	Mk.	Freq.	Reading Level	Correct Factor	Measurement	Limit	Over	Detector	Comment
		MHz	dBuV	dB/m	dBuV/m	dBuV/m	dB		
1		2955.000	46.11	-10.14	35.97	74.00	-38.03	peak	
2		3482.000	46.29	-10.00	36.29	74.00	-37.71	peak	
3		4417.000	46.93	-8.15	38.78	74.00	-35.22	peak	
4		4859.000	46.42	-6.69	39.73	74.00	-34.27	peak	
5		5267.000	46.42	-5.77	40.65	74.00	-33.35	peak	
6	*	5845.000	46.60	-4.50	42.10	74.00	-31.90	peak	

\*:Maximum data    x:Over limit    |:over margin

File :B0225\Data :#11

Page: 1

Unless otherwise stated the results shown in this test report refer only to the sample(s) tested and such sample(s) are retained for 90 days only.

除非另有說明，此報告結果僅對測試之樣品負責，同時此樣品僅保留90天。本報告未經本公司書面許可，不可部份複製。

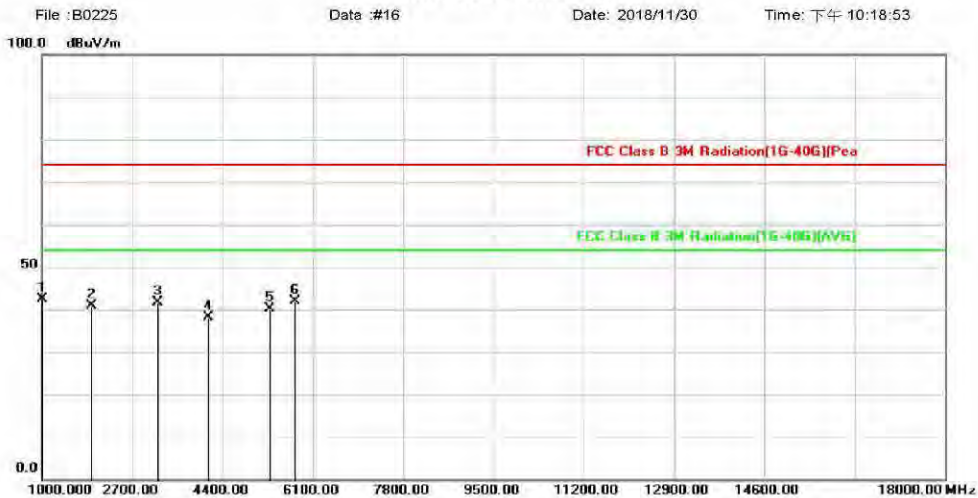
This document is issued by the Company subject to its General Conditions of Service printed overleaf, available on request or accessible at [www.sgs.com/terms\\_and\\_conditions.htm](http://www.sgs.com/terms_and_conditions.htm) and for electronic format documents, subject to Terms and Conditions for Electronic Documents at [www.sgs.com/terms\\_e-document.htm](http://www.sgs.com/terms_e-document.htm). Attention is drawn to the limitation of liability, indemnification and jurisdiction issues defined therein. Any holder of this document is advised that information contained hereon reflects the Company's findings at the time of its intervention only and within the limits of Client's instructions, if any. The Company's sole responsibility is to its Client and this document does not exonerate parties to a transaction from exercising all their rights and obligations under the transaction documents. This document cannot be reproduced except in full, without prior written approval of the Company. Any unauthorized alteration, forgery or falsification of the content or appearance of this document is unlawful and offenders may be prosecuted to the fullest extent of the law.



### Config\_2\_H

Site: SGS 966 Chamber A      Polarization: **Horizontal**      Temperature: 21 °C  
 Limit: FCC Class B 3M Radiation(1G-40G)(Pea)      Power: From System      Humidity: 63 %  
 Mode: Config\_2      Distance:  
 Note: Data Write

### Radiated Emission



No.	Mk.	Freq. MHz	Reading Level dBuV	Correct Factor dB/m	Measurement dBuV/m	Limit dBuV/m	Over dB	Detector	Comment
1	*	1000.0000	59.11	-16.70	42.41	74.00	-31.59	peak	
2		1935.000	54.19	-13.33	40.86	74.00	-33.14	peak	
3		3176.000	51.64	-9.99	41.65	74.00	-32.35	peak	
4		4145.000	47.00	-8.96	38.04	74.00	-35.96	peak	
5		5301.000	45.81	-5.72	40.09	74.00	-33.91	peak	
6		5777.000	46.45	-4.68	41.77	74.00	-32.23	peak	

\*:Maximum data    x:Over limit    !:over margin

Unless otherwise stated the results shown in this test report refer only to the sample(s) tested and such sample(s) are retained for 90 days only.

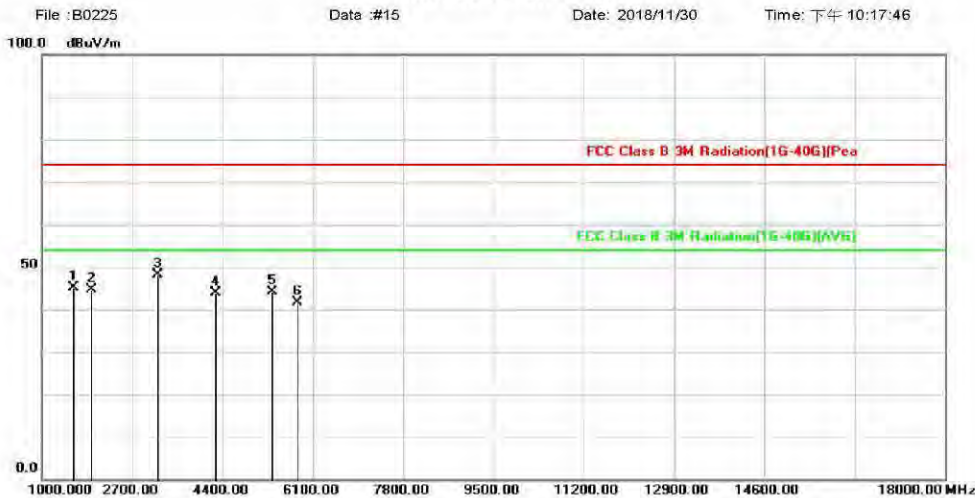
除非另有說明，此報告結果僅對測試之樣品負責，同時此樣品僅保留90天。本報告未經本公司書面許可，不可部份複製。

This document is issued by the Company subject to its General Conditions of Service printed overleaf, available on request or accessible at [www.sgs.com/terms\\_and\\_conditions.htm](http://www.sgs.com/terms_and_conditions.htm) and for electronic format documents, subject to Terms and Conditions for Electronic Documents at [www.sgs.com/terms\\_e-document.htm](http://www.sgs.com/terms_e-document.htm). Attention is drawn to the limitation of liability, indemnification and jurisdiction issues defined therein. Any holder of this document is advised that information contained hereon reflects the Company's findings at the time of its intervention only and within the limits of Client's instructions, if any. The Company's sole responsibility is to its Client and this document does not exonerate parties to a transaction from exercising all their rights and obligations under the transaction documents. This document cannot be reproduced except in full, without prior written approval of the Company. Any unauthorized alteration, forgery or falsification of the content or appearance of this document is unlawful and offenders may be prosecuted to the fullest extent of the law.

### Config\_2\_V

Site: SGS 966 Chamber A      Polarization: **Vertical**      Temperature: 21 °C  
 Limit: FCC Class B 3M Radiation(1G-40G)(Pea)      Power: From System      Humidity: 63 %  
 Mode: Config\_2      Distance:  
 Note: Data Write

### Radiated Emission



No.	Mk.	Freq.	Reading Level	Correct Factor	Measurement	Limit	Over	Detector	Comment
		MHz	dBuV	dB/m	dBuV/m	dBuV/m	dB		
1		1595.000	59.70	-14.56	45.14	74.00	-28.86	peak	
2		1935.000	58.00	-13.33	44.67	74.00	-29.33	peak	
3	*	3176.000	58.16	-9.99	48.17	74.00	-25.83	peak	
4		4264.000	52.56	-8.61	43.95	74.00	-30.05	peak	
5		5335.000	49.82	-5.67	44.15	74.00	-29.85	peak	
6		5811.000	46.30	-4.59	41.71	74.00	-32.29	peak	

\*:Maximum data    x:Over limit    |:over margin

File: B0225\Data #15

Page: 1

Unless otherwise stated the results shown in this test report refer only to the sample(s) tested and such sample(s) are retained for 90 days only.

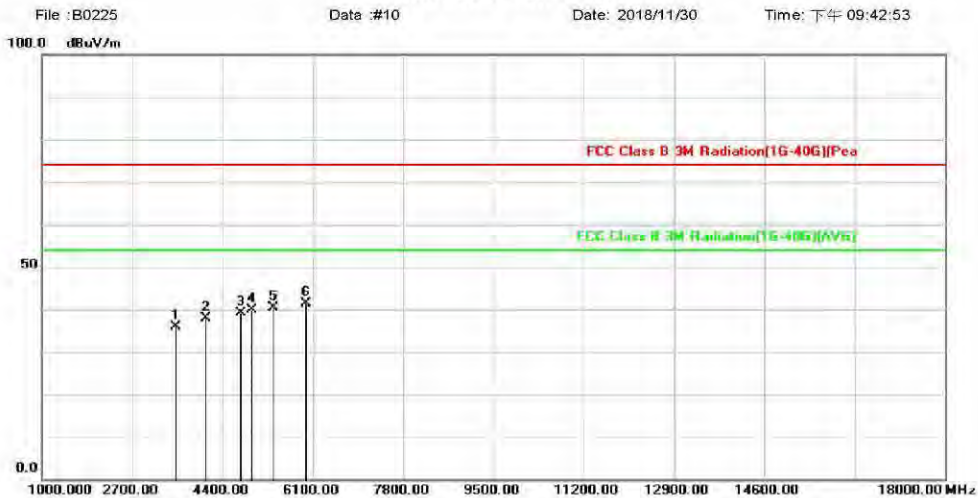
除非另有說明，此報告結果僅對測試之樣品負責，同時此樣品僅保留90天。本報告未經本公司書面許可，不可部份複製。

This document is issued by the Company subject to its General Conditions of Service printed overleaf, available on request or accessible at [www.sgs.com/terms\\_and\\_conditions.htm](http://www.sgs.com/terms_and_conditions.htm) and for electronic format documents, subject to Terms and Conditions for Electronic Documents at [www.sgs.com/terms\\_e-document.htm](http://www.sgs.com/terms_e-document.htm). Attention is drawn to the limitation of liability, indemnification and jurisdiction issues defined therein. Any holder of this document is advised that information contained hereon reflects the Company's findings at the time of its intervention only and within the limits of Client's instructions, if any. The Company's sole responsibility is to its Client and this document does not exonerate parties to a transaction from exercising all their rights and obligations under the transaction documents. This document cannot be reproduced except in full, without prior written approval of the Company. Any unauthorized alteration, forgery or falsification of the content or appearance of this document is unlawful and offenders may be prosecuted to the fullest extent of the law.

### Config\_3\_H

Site :SGS 966 Chamber A      Polarization: **Horizontal**      Temperature: 21 °C  
 Limit: FCC Class B 3M Radiation(1G-40G)(Pea      Power: From Battery      Humidity: 63 %  
 Mode: Config\_3      Distance:  
 Note: Play MP3

#### Radiated Emission



No.	Mk.	Freq.	Reading Level	Correct Factor	Measurement	Limit	Over	Detector	Comment
		MHz	dBuV	dB/m	dBuV/m	dBuV/m	dB		
1		3533.000	45.90	-9.96	35.94	74.00	-38.06	peak	
2		4094.000	47.09	-9.11	37.98	74.00	-36.02	peak	
3		4740.000	46.10	-7.08	39.02	74.00	-34.98	peak	
4		4944.000	46.31	-6.39	39.92	74.00	-34.08	peak	
5		5352.000	45.97	-5.64	40.33	74.00	-33.67	peak	
6	*	5981.000	45.55	-4.15	41.40	74.00	-32.60	peak	

\*:Maximum data    x:Over limit    |:over margin

File :B0225\Data #10

Page: 1

Unless otherwise stated the results shown in this test report refer only to the sample(s) tested and such sample(s) are retained for 90 days only.

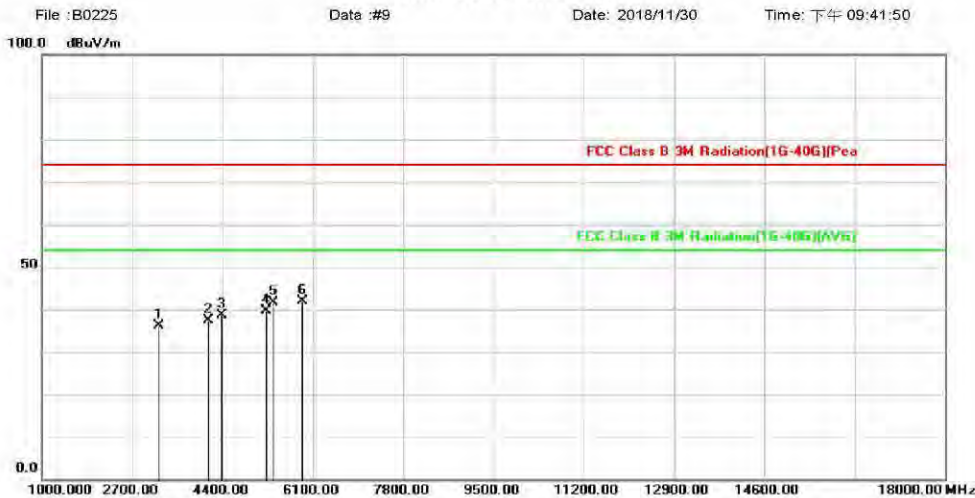
除非另有說明，此報告結果僅對測試之樣品負責，同時此樣品僅保留90天。本報告未經本公司書面許可，不可部份複製。

This document is issued by the Company subject to its General Conditions of Service printed overleaf, available on request or accessible at [www.sgs.com/terms\\_and\\_conditions.htm](http://www.sgs.com/terms_and_conditions.htm) and for electronic format documents, subject to Terms and Conditions for Electronic Documents at [www.sgs.com/terms\\_e-document.htm](http://www.sgs.com/terms_e-document.htm). Attention is drawn to the limitation of liability, indemnification and jurisdiction issues defined therein. Any holder of this document is advised that information contained hereon reflects the Company's findings at the time of its intervention only and within the limits of Client's instructions, if any. The Company's sole responsibility is to its Client and this document does not exonerate parties to a transaction from exercising all their rights and obligations under the transaction documents. This document cannot be reproduced except in full, without prior written approval of the Company. Any unauthorized alteration, forgery or falsification of the content or appearance of this document is unlawful and offenders may be prosecuted to the fullest extent of the law.

### Config\_3\_V

Site: SGS 966 Chamber A      Polarization: **Vertical**      Temperature: 21 °C  
 Limit: FCC Class B 3M Radiation(1G-40G)(Pea)      Power: From Battery      Humidity: 63 %  
 Mode: Config\_3      Distance:  
 Note: Play MP3

### Radiated Emission



No.	Mk.	Freq. MHz	Reading Level dBuV	Correct Factor dB/m	Measurement dBuV/m	Limit dBuV/m	Over dB	Detector	Comment
1		3210.000	46.06	-10.00	36.06	74.00	-37.94	peak	
2		4145.000	46.25	-8.96	37.29	74.00	-36.71	peak	
3		4383.000	46.82	-8.25	38.57	74.00	-35.43	peak	
4		5233.000	45.57	-5.83	39.74	74.00	-34.26	peak	
5		5369.000	47.14	-5.61	41.53	74.00	-32.47	peak	
6	*	5896.000	46.13	-4.37	41.76	74.00	-32.24	peak	

\*:Maximum data    x:Over limit    |:over margin

File :B0225\Data :#9

Page: 1

Unless otherwise stated the results shown in this test report refer only to the sample(s) tested and such sample(s) are retained for 90 days only.

除非另有說明，此報告結果僅對測試之樣品負責，同時此樣品僅保留90天。本報告未經本公司書面許可，不可部份複製。

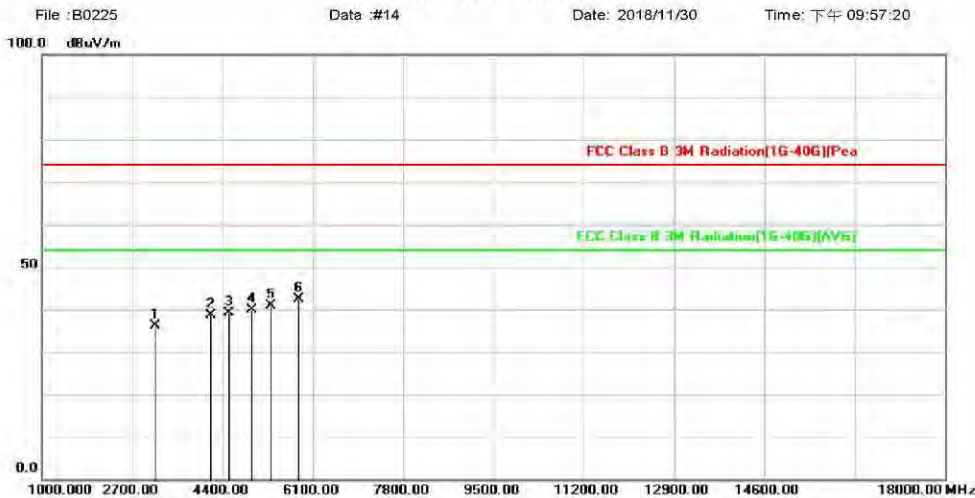
This document is issued by the Company subject to its General Conditions of Service printed overleaf, available on request or accessible at [www.sgs.com/terms\\_and\\_conditions.htm](http://www.sgs.com/terms_and_conditions.htm) and for electronic format documents, subject to Terms and Conditions for Electronic Documents at [www.sgs.com/terms\\_e-document.htm](http://www.sgs.com/terms_e-document.htm). Attention is drawn to the limitation of liability, indemnification and jurisdiction issues defined therein. Any holder of this document is advised that information contained hereon reflects the Company's findings at the time of its intervention only and within the limits of Client's instructions, if any. The Company's sole responsibility is to its Client and this document does not exonerate parties to a transaction from exercising all their rights and obligations under the transaction documents. This document cannot be reproduced except in full, without prior written approval of the Company. Any unauthorized alteration, forgery or falsification of the content or appearance of this document is unlawful and offenders may be prosecuted to the fullest extent of the law.



### Config\_4\_H

Site: SGS 966 Chamber A      Polarization: **Horizontal**      Temperature: 21 °C  
 Limit: FCC Class B 3M Radiation(1G-40G)(Pea)      Power: AC 120V/60Hz      Humidity: 63 %  
 Mode: Config\_4      Distance:  
 Note: Charging

### Radiated Emission



No.	Mk.	Freq. MHz	Reading Level dBuV	Correct Factor dB/m	Measurement dBuV/m	Limit dBuV/m	Over dB	Detector	Comment
1		3142.000	46.10	-9.99	36.11	74.00	-37.89	peak	
2		4179.000	47.42	-8.86	38.56	74.00	-35.44	peak	
3		4519.000	46.87	-7.83	39.04	74.00	-34.96	peak	
4		4944.000	46.24	-6.39	39.85	74.00	-34.15	peak	
5		5318.000	46.66	-5.69	40.97	74.00	-33.03	peak	
6	*	5845.000	46.86	-4.50	42.36	74.00	-31.64	peak	

\*:Maximum data    x:Over limit    !:over margin

File: B0225\Data #14

Page: 1

Unless otherwise stated the results shown in this test report refer only to the sample(s) tested and such sample(s) are retained for 90 days only.

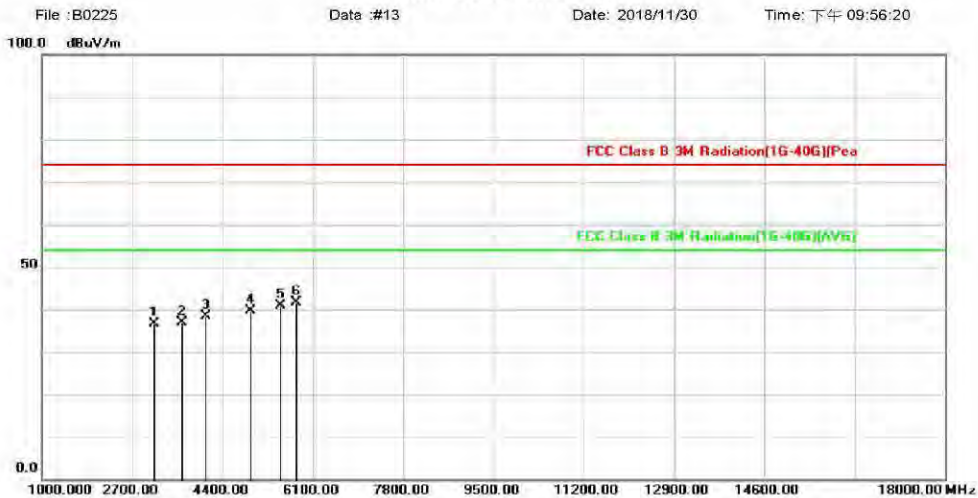
除非另有說明，此報告結果僅對測試之樣品負責，同時此樣品僅保留90天。本報告未經本公司書面許可，不可部份複製。

This document is issued by the Company subject to its General Conditions of Service printed overleaf, available on request or accessible at [www.sgs.com/terms\\_and\\_conditions.htm](http://www.sgs.com/terms_and_conditions.htm) and for electronic format documents, subject to Terms and Conditions for Electronic Documents at [www.sgs.com/terms\\_e-document.htm](http://www.sgs.com/terms_e-document.htm). Attention is drawn to the limitation of liability, indemnification and jurisdiction issues defined therein. Any holder of this document is advised that information contained hereon reflects the Company's findings at the time of its intervention only and within the limits of Client's instructions, if any. The Company's sole responsibility is to its Client and this document does not exonerate parties to a transaction from exercising all their rights and obligations under the transaction documents. This document cannot be reproduced except in full, without prior written approval of the Company. Any unauthorized alteration, forgery or falsification of the content or appearance of this document is unlawful and offenders may be prosecuted to the fullest extent of the law.

### Config\_4\_V

Site: SGS 966 Chamber A      Polarization: **Vertical**      Temperature: 21 °C  
 Limit: FCC Class B 3M Radiation(1G-40G)(Pea)      Power: AC 120V/60Hz      Humidity: 63 %  
 Mode: Config\_4      Distance:  
 Note: Charging

### Radiated Emission



No.	Mk.	Freq.	Reading Level	Correct Factor	Measurement	Limit	Over	Detector	Comment
		MHz	dBuV	dB/m	dBuV/m	dBuV/m	dB		
1		3108.000	46.55	-10.01	36.54	74.00	-37.46	peak	
2		3635.000	46.68	-9.83	36.85	74.00	-37.15	peak	
3		4094.000	47.49	-9.11	38.38	74.00	-35.62	peak	
4		4927.000	46.02	-6.45	39.57	74.00	-34.43	peak	
5		5488.000	46.37	-5.42	40.95	74.00	-33.05	peak	
6	*	5794.000	46.37	-4.63	41.74	74.00	-32.26	peak	

\*:Maximum data    x:Over limit    |:over margin

File: B0225\Data #13

Page: 1

Unless otherwise stated the results shown in this test report refer only to the sample(s) tested and such sample(s) are retained for 90 days only.

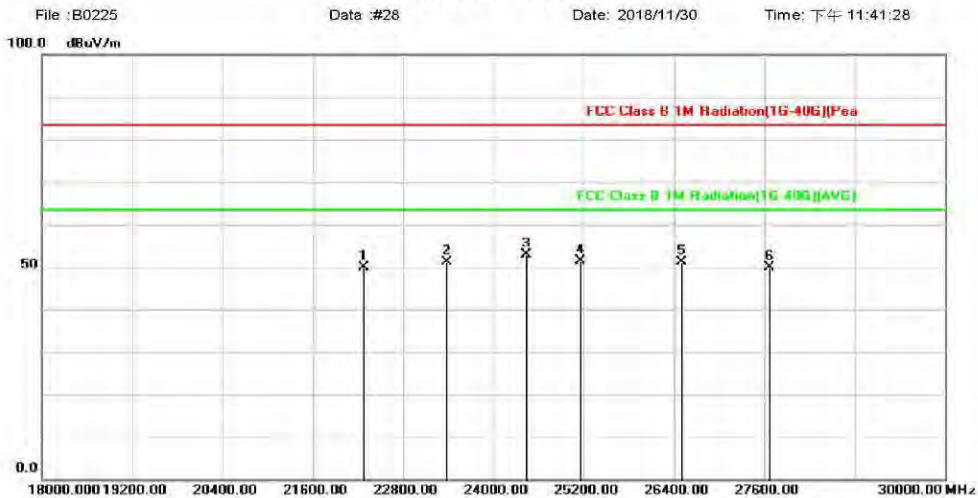
除非另有說明，此報告結果僅對測試之樣品負責，同時此樣品僅保留90天。本報告未經本公司書面許可，不可部份複製。

This document is issued by the Company subject to its General Conditions of Service printed overleaf, available on request or accessible at [www.sgs.com/terms\\_and\\_conditions.htm](http://www.sgs.com/terms_and_conditions.htm) and for electronic format documents, subject to Terms and Conditions for Electronic Documents at [www.sgs.com/terms\\_e-document.htm](http://www.sgs.com/terms_e-document.htm). Attention is drawn to the limitation of liability, indemnification and jurisdiction issues defined therein. Any holder of this document is advised that information contained hereon reflects the Company's findings at the time of its intervention only and within the limits of Client's instructions, if any. The Company's sole responsibility is to its Client and this document does not exonerate parties to a transaction from exercising all their rights and obligations under the transaction documents. This document cannot be reproduced except in full, without prior written approval of the Company. Any unauthorized alteration, forgery or falsification of the content or appearance of this document is unlawful and offenders may be prosecuted to the fullest extent of the law.

### 18GHz-30GHz Config\_1\_H

Site: SGS 966 Chamber A	Polarization: <b>Horizontal</b>	Temperature: 21 °C
Limit: FCC Class B 1M Radiation(1G-40G)(Pea)	Power: AC 120V/60Hz	Humidity: 63 %
Mode: Config_1	Distance:	
Note: WCDMA B05		

#### Radiated Emission



No.	Mk.	Freq.	Reading Level	Correct Factor	Measurement	Limit	Over	Detector	Comment
		MHz	dBuV	dB/m	dBuV/m	dBuV/m	dB		
1		22272.000	44.57	5.22	49.79	83.50	-33.71	peak	
2		23388.000	45.27	5.80	51.07	83.50	-32.43	peak	
3	*	24444.000	46.77	6.17	52.94	83.50	-30.56	peak	
4		25152.000	45.38	5.97	51.35	83.50	-32.15	peak	
5		26508.000	44.93	6.19	51.12	83.50	-32.38	peak	
6		27672.000	43.60	6.39	49.99	83.50	-33.51	peak	

\*:Maximum data    x:Over limit    |:over margin

File :B0225\Data #28

Page: 1

Unless otherwise stated the results shown in this test report refer only to the sample(s) tested and such sample(s) are retained for 90 days only.

除非另有說明，此報告結果僅對測試之樣品負責，同時此樣品僅保留90天。本報告未經本公司書面許可，不可部份複製。

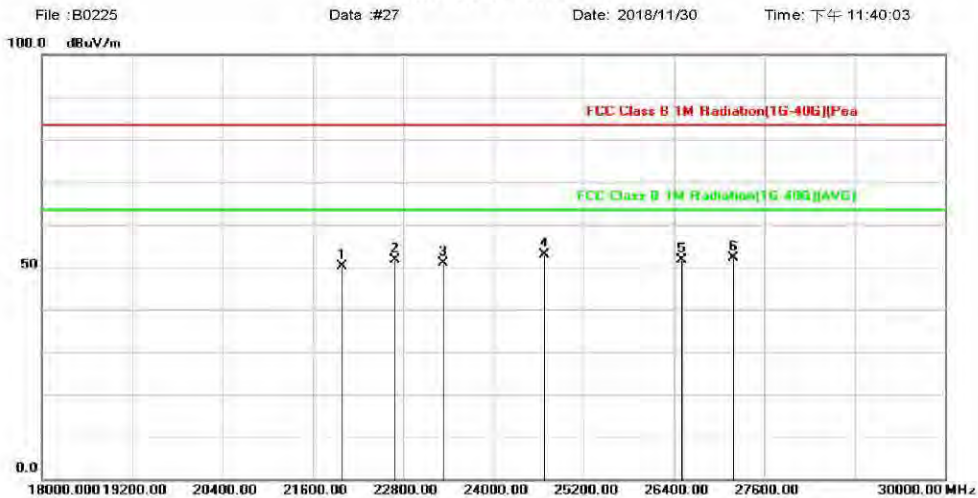
This document is issued by the Company subject to its General Conditions of Service printed overleaf, available on request or accessible at [www.sgs.com/terms\\_and\\_conditions.htm](http://www.sgs.com/terms_and_conditions.htm) and for electronic format documents, subject to Terms and Conditions for Electronic Documents at [www.sgs.com/terms\\_e-document.htm](http://www.sgs.com/terms_e-document.htm). Attention is drawn to the limitation of liability, indemnification and jurisdiction issues defined therein. Any holder of this document is advised that information contained hereon reflects the Company's findings at the time of its intervention only and within the limits of Client's instructions, if any. The Company's sole responsibility is to its Client and this document does not exonerate parties to a transaction from exercising all their rights and obligations under the transaction documents. This document cannot be reproduced except in full, without prior written approval of the Company. Any unauthorized alteration, forgery or falsification of the content or appearance of this document is unlawful and offenders may be prosecuted to the fullest extent of the law.



### Config\_1\_V

Site: SGS 966 Chamber A      Polarization: **Vertical**      Temperature: 21 °C  
 Limit: FCC Class B 1M Radiation(1G-40G)(Pea)      Power: AC 120V/60Hz      Humidity: 63 %  
 Mode: Config\_1      Distance:  
 Note: WCDMA B05

#### Radiated Emission



No.	Mk.	Freq.	Reading Level	Correct Factor	Measurement	Limit	Over	Detector	Comment
		MHz	dBuV	dB/m	dBuV/m	dBuV/m	dB		
1		21996.000	45.14	5.00	50.14	83.50	-33.36	peak	
2		22692.000	46.07	5.44	51.51	83.50	-31.99	peak	
3		23340.000	45.20	5.76	50.96	83.50	-32.54	peak	
4	*	24672.000	46.65	6.23	52.88	83.50	-30.62	peak	
5		26496.000	45.46	6.20	51.66	83.50	-31.84	peak	
6		27192.000	45.91	6.20	52.11	83.50	-31.39	peak	

\*:Maximum data    x:Over limit    |:over margin

File: B0225\Data #27

Page: 1

Unless otherwise stated the results shown in this test report refer only to the sample(s) tested and such sample(s) are retained for 90 days only.

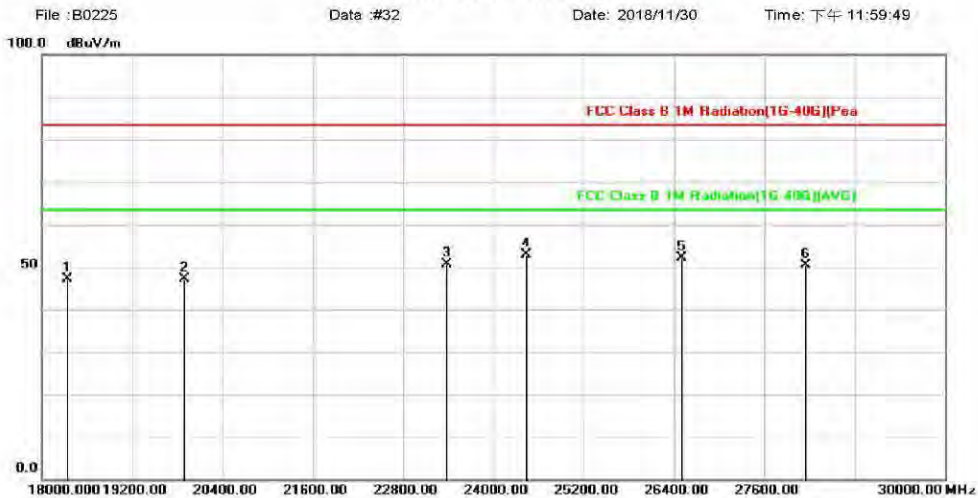
除非另有說明，此報告結果僅對測試之樣品負責，同時此樣品僅保留90天。本報告未經本公司書面許可，不可部份複製。

This document is issued by the Company subject to its General Conditions of Service printed overleaf, available on request or accessible at [www.sgs.com/terms\\_and\\_conditions.htm](http://www.sgs.com/terms_and_conditions.htm) and for electronic format documents, subject to Terms and Conditions for Electronic Documents at [www.sgs.com/terms\\_e-document.htm](http://www.sgs.com/terms_e-document.htm). Attention is drawn to the limitation of liability, indemnification and jurisdiction issues defined therein. Any holder of this document is advised that information contained hereon reflects the Company's findings at the time of its intervention only and within the limits of Client's instructions, if any. The Company's sole responsibility is to its Client and this document does not exonerate parties to a transaction from exercising all their rights and obligations under the transaction documents. This document cannot be reproduced except in full, without prior written approval of the Company. Any unauthorized alteration, forgery or falsification of the content or appearance of this document is unlawful and offenders may be prosecuted to the fullest extent of the law.

### Config\_2\_H

Site: SGS 966 Chamber A      Polarization: **Horizontal**      Temperature: 21 °C  
 Limit: FCC Class B 1M Radiation(1G-40G)(Pea)      Power: From System      Humidity: 63 %  
 Mode: Config\_2      Distance:  
 Note: Data Write

#### Radiated Emission



No.	Mk.	Freq. MHz	Reading Level dBuV	Correct Factor dB/m	Measure- ment dBuV/m	Limit dBuV/m	Over dB	Detector	Comment
1		18348.000	45.82	1.32	47.14	83.50	-36.36	peak	
2		19896.000	44.67	2.49	47.16	83.50	-36.34	peak	
3		23388.000	44.77	5.80	50.57	83.50	-32.93	peak	
4	*	24444.000	46.77	6.17	52.94	83.50	-30.56	peak	
5		26508.000	45.93	6.19	52.12	83.50	-31.38	peak	
6		28152.000	44.24	6.17	50.41	83.50	-33.09	peak	

\*:Maximum data    x:Over limit    |:over margin

File: B0225\Data #32

Page: 1

Unless otherwise stated the results shown in this test report refer only to the sample(s) tested and such sample(s) are retained for 90 days only.

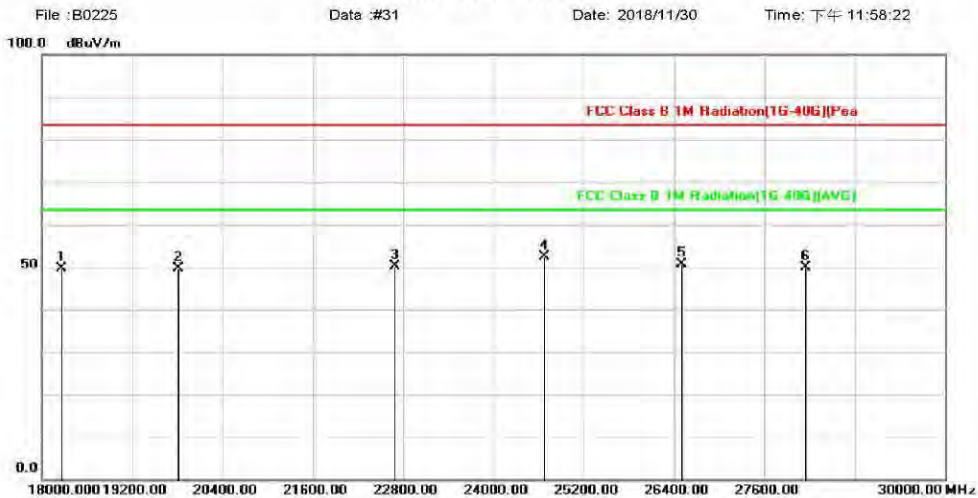
除非另有說明，此報告結果僅對測試之樣品負責，同時此樣品僅保留90天。本報告未經本公司書面許可，不可部份複製。

This document is issued by the Company subject to its General Conditions of Service printed overleaf, available on request or accessible at [www.sgs.com/terms\\_and\\_conditions.htm](http://www.sgs.com/terms_and_conditions.htm) and for electronic format documents, subject to Terms and Conditions for Electronic Documents at [www.sgs.com/terms\\_e-document.htm](http://www.sgs.com/terms_e-document.htm). Attention is drawn to the limitation of liability, indemnification and jurisdiction issues defined therein. Any holder of this document is advised that information contained hereon reflects the Company's findings at the time of its intervention only and within the limits of Client's instructions, if any. The Company's sole responsibility is to its Client and this document does not exonerate parties to a transaction from exercising all their rights and obligations under the transaction documents. This document cannot be reproduced except in full, without prior written approval of the Company. Any unauthorized alteration, forgery or falsification of the content or appearance of this document is unlawful and offenders may be prosecuted to the fullest extent of the law.

### Config\_2\_V

Site: SGS 966 Chamber A      Polarization: **Vertical**      Temperature: 21 °C  
 Limit: FCC Class B 1M Radiation(1G-40G)(Pea)      Power: From System      Humidity: 63 %  
 Mode: Config\_2      Distance:  
 Note: Data Write

### Radiated Emission



No.	Mk.	Freq.	Reading Level	Correct Factor	Measurement	Limit	Over	Detector	Comment
		MHz	dBuV	dB/m	dBuV/m	dBuV/m	dB		
1		18264.000	48.34	1.39	49.73	83.50	-33.77	peak	
2		19812.000	47.31	2.32	49.63	83.50	-33.87	peak	
3		22692.000	44.57	5.44	50.01	83.50	-33.49	peak	
4	*	24672.000	46.15	6.23	52.38	83.50	-31.12	peak	
5		26496.000	44.46	6.20	50.66	83.50	-32.84	peak	
6		28152.000	43.82	6.17	49.99	83.50	-33.51	peak	

\*:Maximum data    x:Over limit    |:over margin

File: B0225\Data #31

Page: 1

Unless otherwise stated the results shown in this test report refer only to the sample(s) tested and such sample(s) are retained for 90 days only.

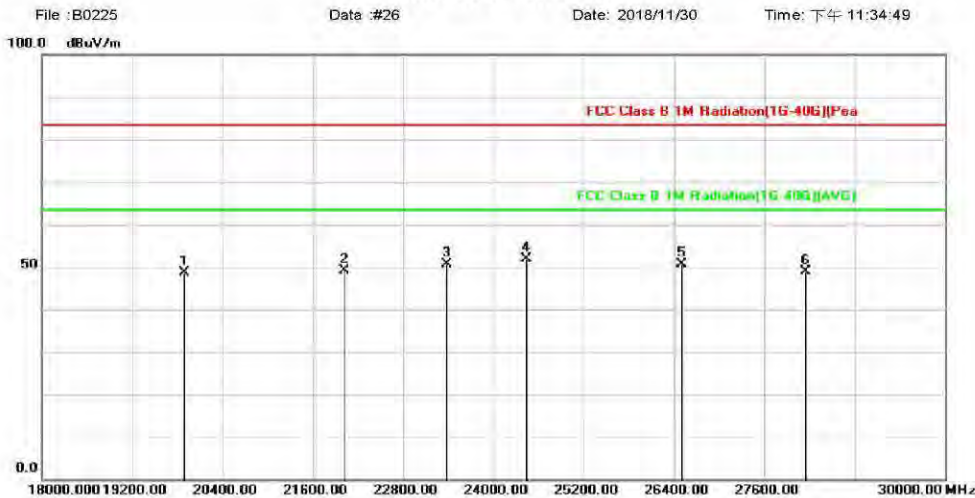
除非另有說明，此報告結果僅對測試之樣品負責，同時此樣品僅保留90天。本報告未經本公司書面許可，不可部份複製。

This document is issued by the Company subject to its General Conditions of Service printed overleaf, available on request or accessible at [www.sgs.com/terms\\_and\\_conditions.htm](http://www.sgs.com/terms_and_conditions.htm) and for electronic format documents, subject to Terms and Conditions for Electronic Documents at [www.sgs.com/terms\\_e-document.htm](http://www.sgs.com/terms_e-document.htm). Attention is drawn to the limitation of liability, indemnification and jurisdiction issues defined therein. Any holder of this document is advised that information contained hereon reflects the Company's findings at the time of its intervention only and within the limits of Client's instructions, if any. The Company's sole responsibility is to its Client and this document does not exonerate parties to a transaction from exercising all their rights and obligations under the transaction documents. This document cannot be reproduced except in full, without prior written approval of the Company. Any unauthorized alteration, forgery or falsification of the content or appearance of this document is unlawful and offenders may be prosecuted to the fullest extent of the law.

### Config\_3\_H

Site: SGS 966 Chamber A      Polarization: **Horizontal**      Temperature: 21 °C  
 Limit: FCC Class B 1M Radiation(1G-40G)(Pea)      Power: From Battery      Humidity: 63 %  
 Mode: Config\_3      Distance:  
 Note: Play MP3

#### Radiated Emission



No.	Mk.	Freq. MHz	Reading Level dBuV	Correct Factor dB/m	Measure- ment dBuV/m	Limit dBuV/m	Over dB	Detector	Comment
1		19896.000	46.17	2.49	48.66	83.50	-34.84	peak	
2		22020.000	44.20	5.01	49.21	83.50	-34.29	peak	
3		23388.000	44.77	5.80	50.57	83.50	-32.93	peak	
4	*	24444.000	45.77	6.17	51.94	83.50	-31.56	peak	
5		26508.000	44.43	6.19	50.62	83.50	-32.88	peak	
6		28152.000	42.74	6.17	48.91	83.50	-34.59	peak	

\*:Maximum data    x:Over limit    |:over margin

File: B0225\Data #26

Page: 1

Unless otherwise stated the results shown in this test report refer only to the sample(s) tested and such sample(s) are retained for 90 days only.

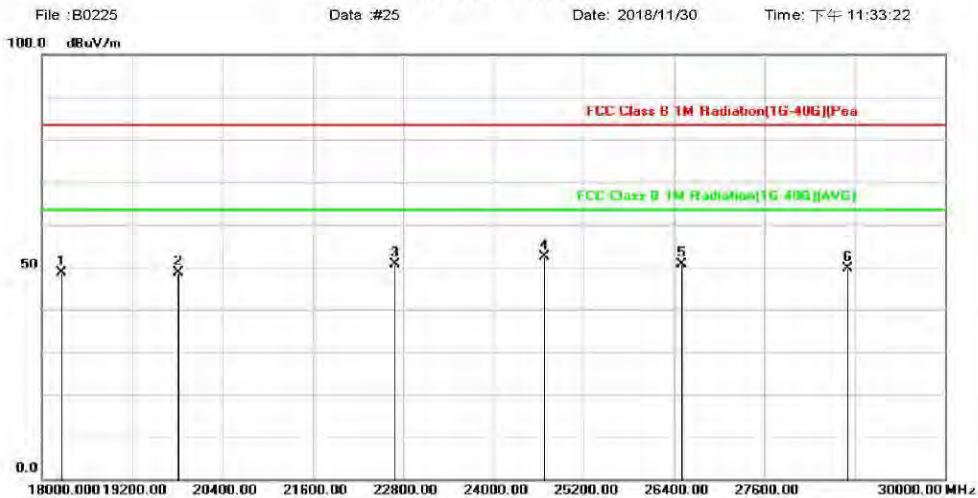
除非另有說明，此報告結果僅對測試之樣品負責，同時此樣品僅保留90天。本報告未經本公司書面許可，不可部份複製。

This document is issued by the Company subject to its General Conditions of Service printed overleaf, available on request or accessible at [www.sgs.com/terms\\_and\\_conditions.htm](http://www.sgs.com/terms_and_conditions.htm) and for electronic format documents, subject to Terms and Conditions for Electronic Documents at [www.sgs.com/terms\\_e-document.htm](http://www.sgs.com/terms_e-document.htm). Attention is drawn to the limitation of liability, indemnification and jurisdiction issues defined therein. Any holder of this document is advised that information contained hereon reflects the Company's findings at the time of its intervention only and within the limits of Client's instructions, if any. The Company's sole responsibility is to its Client and this document does not exonerate parties to a transaction from exercising all their rights and obligations under the transaction documents. This document cannot be reproduced except in full, without prior written approval of the Company. Any unauthorized alteration, forgery or falsification of the content or appearance of this document is unlawful and offenders may be prosecuted to the fullest extent of the law.

### Config\_3\_V

Site: SGS 966 Chamber A      Polarization: **Vertical**      Temperature: 21 °C  
 Limit: FCC Class B 1M Radiation(1G-40G)(Pea)      Power: From Battery      Humidity: 63 %  
 Mode: Config\_3      Distance:  
 Note: Play MP3

### Radiated Emission



No.	Mk.	Freq. MHz	Reading Level dBuV	Correct Factor dB/m	Measurement dBuV/m	Limit dBuV/m	Over dB	Detector	Comment
1		18264.000	47.34	1.39	48.73	83.50	-34.77	peak	
2		19812.000	46.31	2.32	48.63	83.50	-34.87	peak	
3		22692.000	45.07	5.44	50.51	83.50	-32.99	peak	
4	*	24672.000	46.15	6.23	52.38	83.50	-31.12	peak	
5		26496.000	44.46	6.20	50.66	83.50	-32.84	peak	
6		28716.000	43.82	5.84	49.66	83.50	-33.84	peak	

\*:Maximum data    x:Over limit    |:over margin

File: B0225\Data #25

Page: 1

Unless otherwise stated the results shown in this test report refer only to the sample(s) tested and such sample(s) are retained for 90 days only.

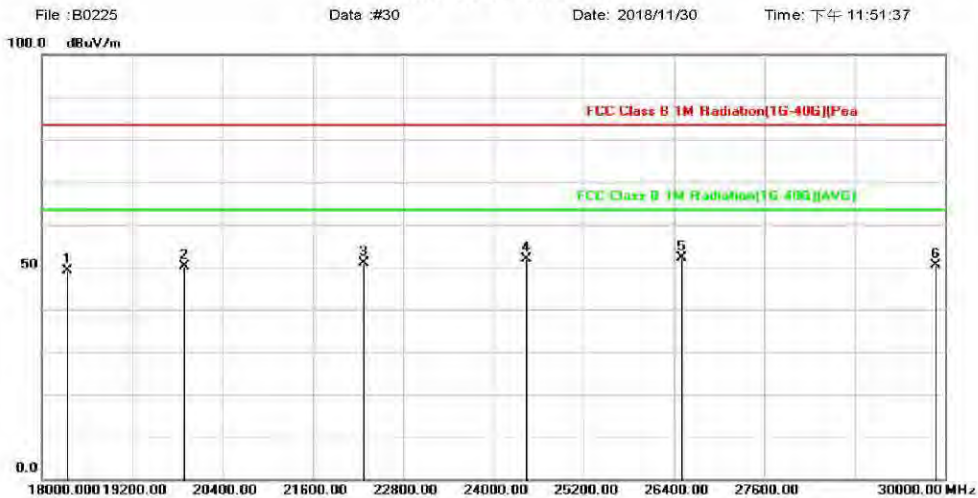
除非另有說明，此報告結果僅對測試之樣品負責，同時此樣品僅保留90天。本報告未經本公司書面許可，不可部份複製。

This document is issued by the Company subject to its General Conditions of Service printed overleaf, available on request or accessible at [www.sgs.com/terms\\_and\\_conditions.htm](http://www.sgs.com/terms_and_conditions.htm) and for electronic format documents, subject to Terms and Conditions for Electronic Documents at [www.sgs.com/terms\\_e-document.htm](http://www.sgs.com/terms_e-document.htm). Attention is drawn to the limitation of liability, indemnification and jurisdiction issues defined therein. Any holder of this document is advised that information contained hereon reflects the Company's findings at the time of its intervention only and within the limits of Client's instructions, if any. The Company's sole responsibility is to its Client and this document does not exonerate parties to a transaction from exercising all their rights and obligations under the transaction documents. This document cannot be reproduced except in full, without prior written approval of the Company. Any unauthorized alteration, forgery or falsification of the content or appearance of this document is unlawful and offenders may be prosecuted to the fullest extent of the law.

### Config\_4\_H

Site: SGS 966 Chamber A      Polarization: **Horizontal**      Temperature: 21 °C  
 Limit: FCC Class B 1M Radiation(1G-40G)(Pea)      Power: AC 120V/60Hz      Humidity: 63 %  
 Mode: Config\_4      Distance:  
 Note: Charging

#### Radiated Emission



No.	Mk.	Freq.	Reading Level	Correct Factor	Measurement	Limit	Over	Detector	Comment
		MHz	dBuV	dB/m	dBuV/m	dBuV/m	dB		
1		18348.000	47.82	1.32	49.14	83.50	-34.36	peak	
2		19896.000	47.67	2.49	50.16	83.50	-33.34	peak	
3		22272.000	45.57	5.22	50.79	83.50	-32.71	peak	
4		24444.000	45.77	6.17	51.94	83.50	-31.56	peak	
5	*	26508.000	45.93	6.19	52.12	83.50	-31.38	peak	
6		29880.000	43.75	6.74	50.49	83.50	-33.01	peak	

\*:Maximum data    x:Over limit    |:over margin

File :B0225\Data :#30

Page: 1

Unless otherwise stated the results shown in this test report refer only to the sample(s) tested and such sample(s) are retained for 90 days only.

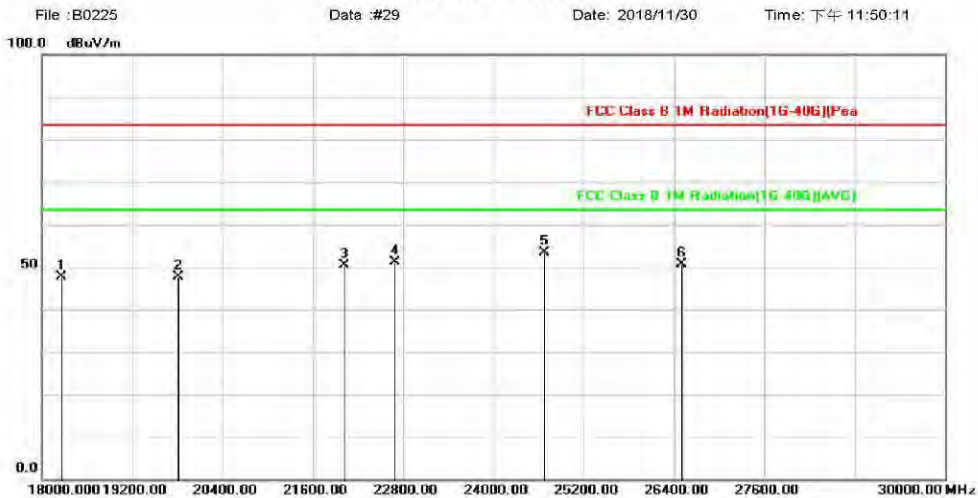
除非另有說明，此報告結果僅對測試之樣品負責，同時此樣品僅保留90天。本報告未經本公司書面許可，不可部份複製。

This document is issued by the Company subject to its General Conditions of Service printed overleaf, available on request or accessible at [www.sgs.com/terms\\_and\\_conditions.htm](http://www.sgs.com/terms_and_conditions.htm) and for electronic format documents, subject to Terms and Conditions for Electronic Documents at [www.sgs.com/terms\\_e-document.htm](http://www.sgs.com/terms_e-document.htm). Attention is drawn to the limitation of liability, indemnification and jurisdiction issues defined therein. Any holder of this document is advised that information contained hereon reflects the Company's findings at the time of its intervention only and within the limits of Client's instructions, if any. The Company's sole responsibility is to its Client and this document does not exonerate parties to a transaction from exercising all their rights and obligations under the transaction documents. This document cannot be reproduced except in full, without prior written approval of the Company. Any unauthorized alteration, forgery or falsification of the content or appearance of this document is unlawful and offenders may be prosecuted to the fullest extent of the law.

### Config\_4\_V

Site: SGS 966 Chamber A      Polarization: **Vertical**      Temperature: 21 °C  
 Limit: FCC Class B 1M Radiation(1G-40G)(Pea)      Power: AC 120V/60Hz      Humidity: 63 %  
 Mode: Config\_4      Distance:      Note: Charging

#### Radiated Emission



No.	Mk.	Freq. MHz	Reading Level dBuV	Correct Factor dB/m	Measurement dBuV/m	Limit dBuV/m	Over dB	Detector	Comment
1		18264.000	46.34	1.39	47.73	83.50	-35.77	peak	
2		19812.000	45.31	2.32	47.63	83.50	-35.87	peak	
3		22020.000	45.40	5.01	50.41	83.50	-33.09	peak	
4		22692.000	45.57	5.44	51.01	83.50	-32.49	peak	
5	*	24672.000	47.15	6.23	53.38	83.50	-30.12	peak	
6		26496.000	44.46	6.20	50.66	83.50	-32.84	peak	

\*:Maximum data    x:Over limit    |:over margin

File: B0225\Data #29

Page: 1

Unless otherwise stated the results shown in this test report refer only to the sample(s) tested and such sample(s) are retained for 90 days only.

除非另有說明，此報告結果僅對測試之樣品負責，同時此樣品僅保留90天。本報告未經本公司書面許可，不可部份複製。

This document is issued by the Company subject to its General Conditions of Service printed overleaf, available on request or accessible at [www.sgs.com/terms\\_and\\_conditions.htm](http://www.sgs.com/terms_and_conditions.htm) and for electronic format documents, subject to Terms and Conditions for Electronic Documents at [www.sgs.com/terms\\_e-document.htm](http://www.sgs.com/terms_e-document.htm). Attention is drawn to the limitation of liability, indemnification and jurisdiction issues defined therein. Any holder of this document is advised that information contained hereon reflects the Company's findings at the time of its intervention only and within the limits of Client's instructions, if any. The Company's sole responsibility is to its Client and this document does not exonerate parties to a transaction from exercising all their rights and obligations under the transaction documents. This document cannot be reproduced except in full, without prior written approval of the Company. Any unauthorized alteration, forgery or falsification of the content or appearance of this document is unlawful and offenders may be prosecuted to the fullest extent of the law.