



# FCC CERTIFICATION REPORT

**Test Report No.** : E1/2017/80213  
**Applicant** : SHARP CORPORATION, IoT Communication BU  
**Address** : 2-13-1, Hachihonmatsu-lida, Higashi-hiroshima-shi, Hiroshima,  
739-0192, Japan  
**Manufacturer** : Sharp Corporation  
**Address** : 1 Takumi-cho, Sakai-ku, Sakai City, Osaka 590-8522, Japan

**Equipment Under Test (EUT) :**  
**Product Name** : Mobile phone

**Standards** : FCC Part 15:2017, Subpart B, Class B  
**FCC Designation Numbers** : 916890 / TW1087

**Date of Receipt** : Aug. 29, 2017  
**Date of Test** : Aug. 29 ~ Sep. 19, 2017  
**Date of Issue** : Oct. 05, 2017

|                      |             |
|----------------------|-------------|
| <b>Test Result :</b> | <b>PASS</b> |
|----------------------|-------------|

In the configuration tested, the EUT complied with the standards specified above.

**Remarks :**

This report details the results of the testing carried out on one sample, the results contained in this test report do not relate to other samples of the same product. The manufacturer should ensure that all products in series production are in conformity with the product sample detailed in this report.

This report shall not be reproduced except in full, without the written approval of the laboratory. If the product in this report is used in any configuration other than that detailed in the report, the manufacturer must ensure the new system complies with all relevant standards.

**Tested By:**

*Ivan Hsieh*

**Date**

Oct. 05, 2017

**Ivan Hsieh (Engineer)**

**Approved By**

*Eddy Cheng*

**Date**

Oct. 05, 2017

**Eddy Cheng (Asst. Supervisor)**



Unless otherwise stated the results shown in this test report refer only to the sample(s) tested and such sample(s) are retained for 90 days only.  
 除非另有說明，此報告結果僅對測試之樣品負責，同時此樣品僅保留90天。本報告未經本公司書面許可，不可部份複製。

This document is issued by the Company subject to its General Conditions of Service printed overleaf, available on request or accessible at [www.sgs.com/terms\\_and\\_conditions.htm](http://www.sgs.com/terms_and_conditions.htm) and for electronic format documents, subject to Terms and Conditions for Electronic Documents at [www.sgs.com/terms\\_e-document.htm](http://www.sgs.com/terms_e-document.htm). Attention is drawn to the limitation of liability, indemnification and jurisdiction issues defined therein. Any holder of this document is advised that information contained hereon reflects the Company's findings at the time of its intervention only and within the limits of Client's instructions, if any. The Company's sole responsibility is to its Client and this document does not exonerate parties to a transaction from exercising all their rights and obligations under the transaction documents. This document cannot be reproduced except in full, without prior written approval of the Company. Any unauthorized alteration, forgery or falsification of the content or appearance of this document is unlawful and offenders may be prosecuted to the fullest extent of the law.

SGS Taiwan Ltd.

No.134, Wu Kung Road, New Taipei Industrial Park, Wuku District, New Taipei City, Taiwan 24803/新北市五股區新北產業園區五工路 134 號

台灣檢驗科技股份有限公司

t (886-2) 2299-3279

f (886-2) 2298-0488

[www.tw.sgs.com](http://www.tw.sgs.com)

Member of SGS Group



## Revision History

| Report Number | Revision | Description                  | Issue Date    |
|---------------|----------|------------------------------|---------------|
| E1/2017/80213 | Rev.00   | Initial creation of document | Oct. 05, 2017 |
|               |          |                              |               |
|               |          |                              |               |
|               |          |                              |               |
|               |          |                              |               |
|               |          |                              |               |
|               |          |                              |               |
|               |          |                              |               |
|               |          |                              |               |
|               |          |                              |               |

Unless otherwise stated the results shown in this test report refer only to the sample(s) tested and such sample(s) are retained for 90 days only.  
 除非另有說明，此報告結果僅對測試之樣品負責，同時此樣品僅保留90天。本報告未經本公司書面許可，不可部份複製。

This document is issued by the Company subject to its General Conditions of Service printed overleaf, available on request or accessible at [www.sgs.com/terms\\_and\\_conditions.htm](http://www.sgs.com/terms_and_conditions.htm) and for electronic format documents, subject to Terms and Conditions for Electronic Documents at [www.sgs.com/terms\\_e-document.htm](http://www.sgs.com/terms_e-document.htm). Attention is drawn to the limitation of liability, indemnification and jurisdiction issues defined therein. Any holder of this document is advised that information contained hereon reflects the Company's findings at the time of its intervention only and within the limits of Client's instructions, if any. The Company's sole responsibility is to its Client and this document does not exonerate parties to a transaction from exercising all their rights and obligations under the transaction documents. This document cannot be reproduced except in full, without prior written approval of the Company. Any unauthorized alteration, forgery or falsification of the content or appearance of this document is unlawful and offenders may be prosecuted to the fullest extent of the law.



## Contents

|   |           |
|---|-----------|
| <b>1. GENERAL INFORMATION.....</b>                  | <b>4</b>  |
| 1.1 APPLICANT & MANUFACTURER INFORMATION .....      | 4         |
| 1.2 GENERAL DESCRIPTION OF EUT .....                | 4         |
| 1.3 DETAILS OF EUT .....                            | 4         |
| 1.4 OPERATION PROCEDURE .....                       | 5         |
| 1.5 DESCRIPTION OF SUPPORT UNITS .....              | 6         |
| 1.6 MODIFICATION LIST .....                         | 7         |
| 1.7 ACCESSORIES CABLE LIST .....                    | 7         |
| 1.8 TEST SET-UP CONFIGURATION.....                  | 7         |
| 1.9 MEASUREMENT PROCEDURE .....                     | 9         |
| 1.10 STANDARDS APPLICABLE FOR TESTING.....          | 9         |
| 1.11 SUMMARY OF RESULTS .....                       | 9         |
| <b>2. EMISSION .....</b>                            | <b>10</b> |
| 2.1 TEST RESULTS .....                              | 10        |
| 2.2 FREQUENCY RANGE.....                            | 10        |
| 2.3 LIMITS OF CONDUCTED AND RADIATED EMISSION ..... | 10        |
| 2.3.1 LIMITS OF CONDUCTED EMISSION .....            | 10        |
| 2.3.2 LIMITS OF RADIATED EMISSIONS .....            | 11        |
| 2.4. TEST OF CONDUCTED EMISSION.....                | 12        |
| 2.4.1 TEST EQUIPMENTS .....                         | 12        |
| 2.4.2 OPERATING ENVIRONMENT .....                   | 12        |
| 2.4.3 MEASUREMENT LEVEL CALCULATION.....            | 12        |
| 2.4.4 MEASUREMENT DATA:.....                        | 13        |
| 2.5 TEST OF RADIATED EMISSION.....                  | 22        |
| 2.5.1 TEST EQUIPMENTS .....                         | 22        |
| 2.5.2 OPERATING ENVIRONMENT .....                   | 23        |
| 2.5.3 MEASUREMENT LEVEL CALCULATION.....            | 23        |
| 2.5.4 MEASUREMENT DATA.....                         | 24        |
| <b>3. PHOTOGRAPHS OF TEST .....</b>                 | <b>40</b> |
| <b>4. PHOTOGRAPHS OF PRODUCT .....</b>              | <b>52</b> |

Unless otherwise stated the results shown in this test report refer only to the sample(s) tested and such sample(s) are retained for 90 days only.  
 除非另有說明，此報告結果僅對測試之樣品負責，同時此樣品僅保留90天。本報告未經本公司書面許可，不可部份複製。

This document is issued by the Company subject to its General Conditions of Service printed overleaf, available on request or accessible at [www.sgs.com/terms\\_and\\_conditions.htm](http://www.sgs.com/terms_and_conditions.htm) and for electronic format documents, subject to Terms and Conditions for Electronic Documents at [www.sgs.com/terms\\_e-document.htm](http://www.sgs.com/terms_e-document.htm). Attention is drawn to the limitation of liability, indemnification and jurisdiction issues defined therein. Any holder of this document is advised that information contained hereon reflects the Company's findings at the time of its intervention only and within the limits of Client's instructions, if any. The Company's sole responsibility is to its Client and this document does not exonerate parties to a transaction from exercising all their rights and obligations under the transaction documents. This document cannot be reproduced except in full, without prior written approval of the Company. Any unauthorized alteration, forgery or falsification of the content or appearance of this document is unlawful and offenders may be prosecuted to the fullest extent of the law.



# 1. General Information

## 1.1 Applicant & Manufacturer Information

Applicant : SHARP CORPORATION, IoT Communication BU  
 Address of Applicant : 2-13-1, Hachihonmatsu-lida, Higashi-hiroshima-shi,  
 Hiroshima, 739-0192, Japan  
 Manufacturer : Sharp Corporation  
 Address of Manufacturer : 1 Takumi-cho, Sakai-ku, Sakai City, Osaka 590-  
 8522, Japan

## 1.2 General Description of EUT

Product Name : Mobile phone

## 1.3 Details of EUT

Power Supply : AC 100~240V, 50~60Hz  
 Worst case : CE worst case : Config 4  
 Below RE worst case : Config 2  
 Above RE worst case : Config 3  
 Highest operate description : 1094.4 MHz  
 Adapter : Model No.: XN-2QC25  
 Supplier : SHARP  
 I/P : AC 100-240V, 50/60Hz, 0.2A  
 O/P : DC 5.0V, 800mA

Unless otherwise stated the results shown in this test report refer only to the sample(s) tested and such sample(s) are retained for 90 days only.  
 除非另有說明，此報告結果僅對測試之樣品負責，同時此樣品僅保留90天。本報告未經本公司書面許可，不可部份複製。

This document is issued by the Company subject to its General Conditions of Service printed overleaf, available on request or accessible at [www.sgs.com/terms\\_and\\_conditions.htm](http://www.sgs.com/terms_and_conditions.htm) and for electronic format documents, subject to Terms and Conditions for Electronic Documents at [www.sgs.com/terms\\_e-document.htm](http://www.sgs.com/terms_e-document.htm). Attention is drawn to the limitation of liability, indemnification and jurisdiction issues defined therein. Any holder of this document is advised that information contained hereon reflects the Company's findings at the time of its intervention only and within the limits of Client's instructions, if any. The Company's sole responsibility is to its Client and this document does not exonerate parties to a transaction from exercising all their rights and obligations under the transaction documents. This document cannot be reproduced except in full, without prior written approval of the Company. Any unauthorized alteration, forgery or falsification of the content or appearance of this document is unlawful and offenders may be prosecuted to the fullest extent of the law.



| QD25                          | FCC 15B   |                              |   |  |
|-------------------------------|---|------------------------------|---|--|
|                               | Config 1  | Config2                      | Config 3  | Config 4   |
| Applicable standard           | FCC 15B   |                              |   |  |
| Accessories                   | EUT<br>+ AC Adaptor<br>(XN-2QC25)<br>+USB Cable | EUT<br>+USB Cable<br>(to PC) | EUT<br>+ AC Adaptor<br>(XN-2QC25)<br>+USB Cable | EUT<br>+ AC Adaptor<br>(XN-2QC25)<br>+ Cradle<br>+USB Cable<br>+EARPHONE |
| Main function                 | <b>Speech</b>                                   | <i>Data Link</i>             | <i>Audio</i>                                    | <i>Cradle Charger</i>  |
| Additional function           | BT+WiFi +GPS+NFC                                |                              |   |  |
| <b>Description</b>            |   |                              |   |  |
| radiated emission             | GSM 850/1900<br>WCDMA B1<br>LTE B1              | Data Read/Write              | MP3   | Cradle Charger +<br>MP3  |
| conducted emission (DC Power) | NA  | NA                           | NA  | NA   |
| conducted emission (AC Power) | GSM 850/1900<br>WCDMA B1<br>LTE B1              | Data Read/Write              | MP3   | Cradle Charger +<br>MP3  |

## 1.4 Operation Procedure

### Config 1

1. Let EUT install the SIM Card & SD Card.
2. Let USB Port of EUT connect to the Adapter.
3. Set the BT mouse to pair with EUT.
4. Set WiFi to obtain IP Address and execute Ping IP Address.
5. Turned on the GPS function & NFC function.
6. Set up the base station and test GSM / WCDMA / LTE connection.
7. Started the test.

### Config 2

1. Let EUT install the SIM Card & SD Card.
2. Let USB Port of EUT connect to the PC and execute Data R/W.
3. Set the BT mouse to pair with EUT.
4. Set WiFi to obtain IP Address and execute Ping IP Address.
5. Turned on the GPS function & NFC function.
6. Started the test.

Unless otherwise stated the results shown in this test report refer only to the sample(s) tested and such sample(s) are retained for 90 days only.

除非另有說明，此報告結果僅對測試之樣品負責，同時此樣品僅保留90天。本報告未經本公司書面許可，不可部份複製。

This document is issued by the Company subject to its General Conditions of Service printed overleaf, available on request or accessible at [www.sgs.com/terms\\_and\\_conditions.htm](http://www.sgs.com/terms_and_conditions.htm) and for electronic format documents, subject to Terms and Conditions for Electronic Documents at [www.sgs.com/terms\\_e-document.htm](http://www.sgs.com/terms_e-document.htm). Attention is drawn to the limitation of liability, indemnification and jurisdiction issues defined therein. Any holder of this document is advised that information contained hereon reflects the Company's findings at the time of its intervention only and within the limits of Client's instructions, if any. The Company's sole responsibility is to its Client and this document does not exonerate parties to a transaction from exercising all their rights and obligations under the transaction documents. This document cannot be reproduced except in full, without prior written approval of the Company. Any unauthorized alteration, forgery or falsification of the content or appearance of this document is unlawful and offenders may be prosecuted to the fullest extent of the law.



### Config 3

1. Let EUT install the SIM Card & SD Card.
2. Let USB Port of EUT connect to the Adapter.
3. Set the BT mouse to pair with EUT.
4. Set WiFi to obtain IP Address and execute Ping IP Address.
5. Turned on the GPS function & NFC function.
6. Played the MP3 music.
7. Started the test.

### Config 4

1. Let EUT install the SIM Card & SD Card.
2. Let USB Port of EUT connect to the Earphone.
3. Set the BT mouse to pair with EUT.
4. Set WiFi to obtain IP Address and execute Ping IP Address.
5. Turned on the GPS function & NFC function.
6. Played the MP3 music.
7. Let USB Port of Cradle connect to the Adapter.
8. Put the EUT into Cradle to charge.
9. Started the test.

## 1.5 Description of Support Units

|                              |            |                     |                          |
|------------------------------|------------|---------------------|--------------------------|
| Micro SD                     | Transcend  | Micro SDHC (Class4) | N/A                      |
| BT Mouse                     | Logitech   | M555b               | N/A                      |
| Radio Communication Analyzer | R&S        | CMU200              | 102189                   |
| Radio Communication Analyzer | R&S        | CMU500              | 1201.002K50-152303-Zr    |
| AP                           | BUFFALO    | WZR-HP-G300NH2      | 44066221202559[[G]]      |
| GPS Signal Generator         | Spectracom | GSG53 GNSS4         | 200218                   |
| Mouse                        | DELL       | MS111-T             | CN-OKW2YH-71616-345-OL7T |
| Printer                      | HP         | VCVRA-1004          | CN33K19J3F               |
| Notebook                     | DELL       | Latitude E5430      | COVZYW1                  |

## Support Equipment Used in Tested Cable

| Cable Type | Core | Length | Shielding/Non-shielding |
|------------|------|--------|-------------------------|
| N/A        | N/A  | N/A    | N/A                     |

Unless otherwise stated the results shown in this test report refer only to the sample(s) tested and such sample(s) are retained for 90 days only.  
 除非另有說明，此報告結果僅對測試之樣品負責，同時此樣品僅保留90天。本報告未經本公司書面許可，不可部份複製。

This document is issued by the Company subject to its General Conditions of Service printed overleaf, available on request or accessible at [www.sgs.com/terms\\_and\\_conditions.htm](http://www.sgs.com/terms_and_conditions.htm) and for electronic format documents, subject to Terms and Conditions for Electronic Documents at [www.sgs.com/terms\\_e-document.htm](http://www.sgs.com/terms_e-document.htm). Attention is drawn to the limitation of liability, indemnification and jurisdiction issues defined therein. Any holder of this document is advised that information contained hereon reflects the Company's findings at the time of its intervention only and within the limits of Client's instructions, if any. The Company's sole responsibility is to its Client and this document does not exonerate parties to a transaction from exercising all their rights and obligations under the transaction documents. This document cannot be reproduced except in full, without prior written approval of the Company. Any unauthorized alteration, forgery or falsification of the content or appearance of this document is unlawful and offenders may be prosecuted to the fullest extent of the law.



### 1.6 Modification List

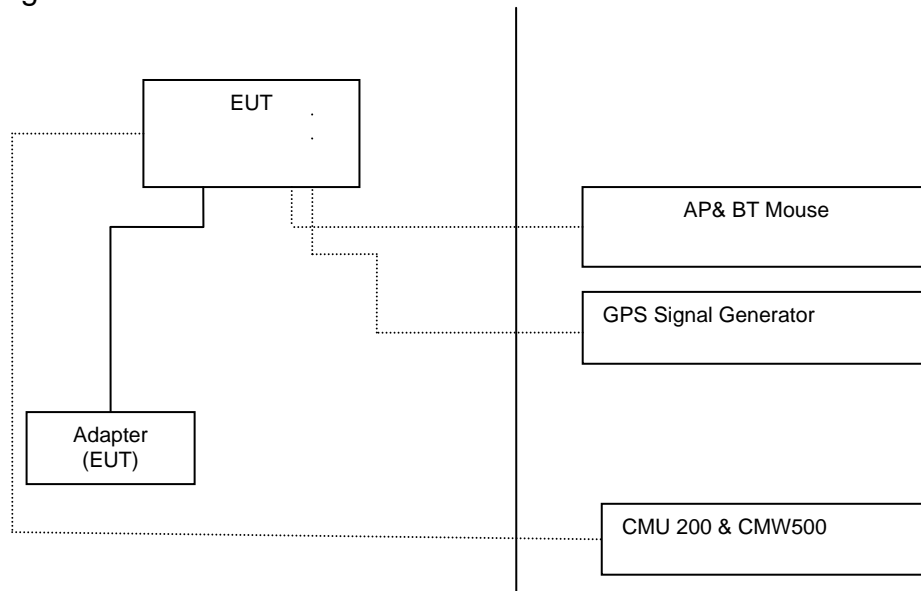
No modification was made by SGS Taiwan Electronics & Communication Laboratory.

### 1.7 Accessories Cable List

| Cable Type         | Core | Length | Shielding/Non-shielding |
|--------------------|------|--------|-------------------------|
| USB Cable          | N/A  | 1M     | Shielding               |
| USB to Audio Cable | N/A  | 0.12M  | Shielding               |
| Earphone           | N/A  | 1.25M  | Non-shielding           |

### 1.8 Test Set-Up Configuration

Config 1

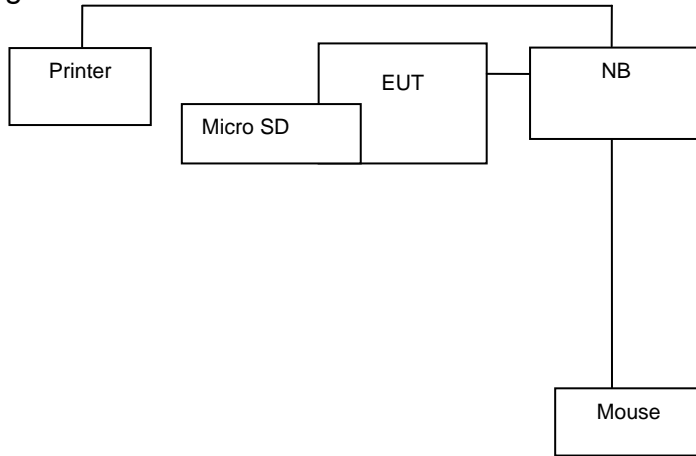


Unless otherwise stated the results shown in this test report refer only to the sample(s) tested and such sample(s) are retained for 90 days only.  
 除非另有說明，此報告結果僅對測試之樣品負責，同時此樣品僅保留90天。本報告未經本公司書面許可，不可部份複製。

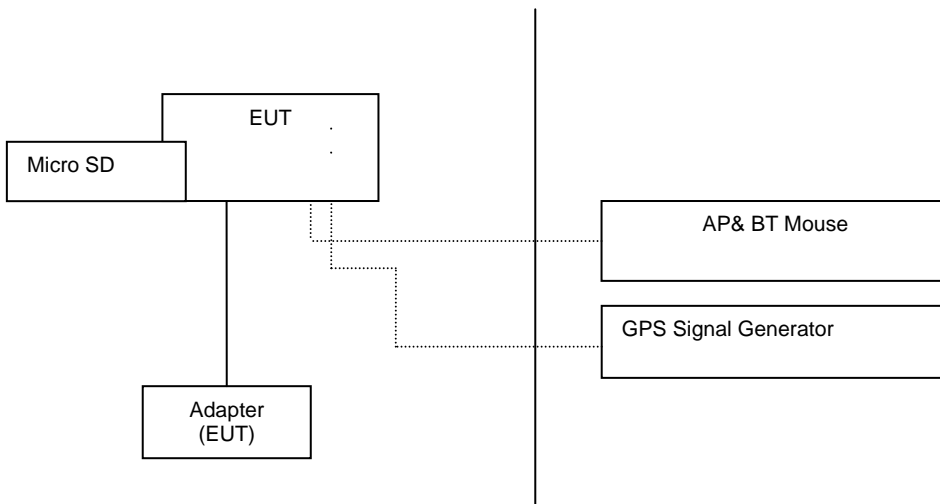
This document is issued by the Company subject to its General Conditions of Service printed overleaf, available on request or accessible at [www.sgs.com/terms\\_and\\_conditions.htm](http://www.sgs.com/terms_and_conditions.htm) and for electronic format documents, subject to Terms and Conditions for Electronic Documents at [www.sgs.com/terms\\_e-document.htm](http://www.sgs.com/terms_e-document.htm). Attention is drawn to the limitation of liability, indemnification and jurisdiction issues defined therein. Any holder of this document is advised that information contained hereon reflects the Company's findings at the time of its intervention only and within the limits of Client's instructions, if any. The Company's sole responsibility is to its Client and this document does not exonerate parties to a transaction from exercising all their rights and obligations under the transaction documents. This document cannot be reproduced except in full, without prior written approval of the Company. Any unauthorized alteration, forgery or falsification of the content or appearance of this document is unlawful and offenders may be prosecuted to the fullest extent of the law.



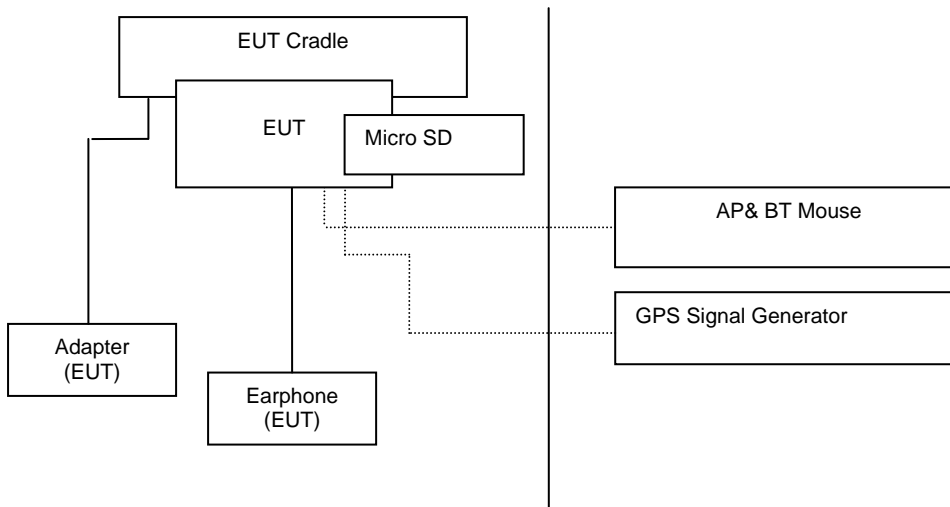
Config2



Config 3



Config 4



Unless otherwise stated the results shown in this test report refer only to the sample(s) tested and such sample(s) are retained for 90 days only.  
 除非另有說明，此報告結果僅對測試之樣品負責，同時此樣品僅保留90天。本報告未經本公司書面許可，不可部份複製。

This document is issued by the Company subject to its General Conditions of Service printed overleaf, available on request or accessible at [www.sgs.com/terms\\_and\\_conditions.htm](http://www.sgs.com/terms_and_conditions.htm) and for electronic format documents, subject to Terms and Conditions for Electronic Documents at [www.sgs.com/terms\\_e-document.htm](http://www.sgs.com/terms_e-document.htm). Attention is drawn to the limitation of liability, indemnification and jurisdiction issues defined therein. Any holder of this document is advised that information contained hereon reflects the Company's findings at the time of its intervention only and within the limits of Client's instructions, if any. The Company's sole responsibility is to its Client and this document does not exonerate parties to a transaction from exercising all their rights and obligations under the transaction documents. This document cannot be reproduced except in full, without prior written approval of the Company. Any unauthorized alteration, forgery or falsification of the content or appearance of this document is unlawful and offenders may be prosecuted to the fullest extent of the law.





## 1.9 Measurement Procedure

Conducted Emission Testing was performed according to ANSI C63.4:2014 in a shielded room with peripherals placed on a table, 0.8m high over a metal floor. It was located more than required distance away from the shielded room wall.

Radiated Emission Testing was performed according to ANSI C63.4:2014 at the 3/10m semi-anechoic chamber. The EUT was placed on a 0.8m high table along with the peripherals. The turn table was placed 10m distance from the antenna. Cables were placed in a position to produce maximum emissions as determined by experimentation, and operation mode was selected for production of maximum emission.

The frequencies and amplitudes of maximum emission were measured at varying azimuths, antenna heights and antenna polarities. Maximum emission levels are then reported.

## 1.10 Standards Applicable for Testing

Tests to be carried out under FCC Part 15, Subpart B/CISPR 22

| Test Standards                      | Status       |
|-------------------------------------|--------------|
| FCC Part 15, Subpart B/<br>CISPR 22 | Applicable   |
| Deviation from Standard             | No deviation |

## 1.11 Summary of Results

| Standard                         | Highest Emission   |        |            |                |             |
|----------------------------------|--------------------|--------|------------|----------------|-------------|
|                                  | Test Type          | Result | Phase/Pol. | Frequency(MHz) | Margin(dB)  |
| FCC Part 15 Subpart B<br>Class B | Conducted Emission | PASS   | Line       | 11.1340        | -9.30 (AVG) |
|                                  |                    |        | Neutral    | 0.3940         | -13.46 (QP) |
|                                  | Radiated Emission  | PASS   | Hor.       | 171.8800       | -4.20 (QP)  |

Unless otherwise stated the results shown in this test report refer only to the sample(s) tested and such sample(s) are retained for 90 days only.  
除非另有說明，此報告結果僅對測試之樣品負責，同時此樣品僅保留90天。本報告未經本公司書面許可，不可部份複製。

This document is issued by the Company subject to its General Conditions of Service printed overleaf, available on request or accessible at [www.sgs.com/terms\\_and\\_conditions.htm](http://www.sgs.com/terms_and_conditions.htm) and for electronic format documents, subject to Terms and Conditions for Electronic Documents at [www.sgs.com/terms\\_e-document.htm](http://www.sgs.com/terms_e-document.htm). Attention is drawn to the limitation of liability, indemnification and jurisdiction issues defined therein. Any holder of this document is advised that information contained hereon reflects the Company's findings at the time of its intervention only and within the limits of Client's instructions, if any. The Company's sole responsibility is to its Client and this document does not exonerate parties to a transaction from exercising all their rights and obligations under the transaction documents. This document cannot be reproduced except in full, without prior written approval of the Company. Any unauthorized alteration, forgery or falsification of the content or appearance of this document is unlawful and offenders may be prosecuted to the fullest extent of the law.



## 2. EMISSION

### 2.1 Test Results

|                    | Results     |
|--------------------|-------------|
| Conducted Emission | <b>Pass</b> |
| Radiated Emission  | <b>Pass</b> |

### 2.2 Frequency Range

#### FCC Part 15, Subpart B:

Conducted Emission : 150 kHz - 30 MHz

Radiated Emission : See below table

Highest frequency generated or Upper frequency of measurement  
used in the device or on which the range (MHz)  
device operates or tunes (MHz)

|             |  |
|-------------|--|
| Below 1.705 | 30   |
| 1.705 - 108 | 1000   |
| 108 - 500   | 2000   |
| 500 - 1000  | 5000   |
| Above 1000  | 5th harmonic of the highest frequency or<br>40 GHz, whichever is lower |

### 2.3 Limits of Conducted and Radiated Emission

#### 2.3.1 Limits of Conducted Emission

##### FCC Part 15, Subpart B/CISPR 22:

| FREQUENCY<br>(MHz) | Class A (dBuV) |         | Class B (dBuV) |         |
|--------------------|----------------|---------|----------------|---------|
|                    | Quasi - peak   | Average | Quasi - peak   | Average |
| 0.15 - 0.5         | 79             | 66      | 66 - 56        | 56 - 46 |
| 0.50 - 5.0         | 73             | 60      | 56             | 46      |
| 5.0 - 30.0         | 73             | 60      | 60             | 50      |

Note : (1) The lower limit shall apply at the transition frequencies.

(2) The limit decreases linearly with the logarithm of the frequency in the range 0.15 to 0.50 MHz.

(3) All emanation from a class A/B digital device or system, including any network of conductors and apparatus connected there to, shall not exceed the level of field strengths specified above.

Unless otherwise stated the results shown in this test report refer only to the sample(s) tested and such sample(s) are retained for 90 days only.  
除非另有說明，此報告結果僅對測試之樣品負責，同時此樣品僅保留90天。本報告未經本公司書面許可，不可部份複製。

This document is issued by the Company subject to its General Conditions of Service printed overleaf, available on request or accessible at [www.sgs.com/terms\\_and\\_conditions.htm](http://www.sgs.com/terms_and_conditions.htm) and for electronic format documents, subject to Terms and Conditions for Electronic Documents at [www.sgs.com/terms\\_e-document.htm](http://www.sgs.com/terms_e-document.htm). Attention is drawn to the limitation of liability, indemnification and jurisdiction issues defined therein. Any holder of this document is advised that information contained hereon reflects the Company's findings at the time of its intervention only and within the limits of Client's instructions, if any. The Company's sole responsibility is to its Client and this document does not exonerate parties to a transaction from exercising all their rights and obligations under the transaction documents. This document cannot be reproduced except in full, without prior written approval of the Company. Any unauthorized alteration, forgery or falsification of the content or appearance of this document is unlawful and offenders may be prosecuted to the fullest extent of the law.



### 2.3.2 Limits of Radiated Emissions

#### FCC Part 15, Subpart B Limit:

- Detector Function : Quasi – Peak

| FREQUENCY<br>(MHz) | Class A (at 10m) | Class B (at 3m) |
|--------------------|------------------|-----------------|
|                    | dBuV/m           | dBuV/m          |
| 30~88              | 39               | 40              |
| 88~216             | 43.5             | 43.5            |
| 216~960            | 46.44            | 46              |
| Above 960          | 49.54            | 54              |

- Detector Function : Peak , Average

| FREQUENCY<br>(MHz) | Class A (dBuV/m) (at 3m) |         | Class B (dBuV/m) (at 3m) |         |
|--------------------|--------------------------|---------|--------------------------|---------|
|                    | Peak                     | Average | Peak                     | Average |
| Above 1000         | 79.3                     | 59.3    | 73.9                     | 53.9    |

#### CISPR 22 Limit:

- Detector Function : Quasi – Peak

| FREQUENCY<br>(MHz) | Class A (at 10m) | Class B (at 10m) |
|--------------------|------------------|------------------|
|                    | dBuV/m           | dBuV/m           |
| 30-230             | 40               | 30               |
| 230-1000           | 47               | 37               |

NOTE 1 The lower limit shall apply at the transition frequency.

NOTE 2 Additional provisions may be required for cases where interference occurs.

| FREQUENCY<br>(GHz) | Class A (dBuV/m) (at 3m) |      | Class B (dBuV/m) (at 3m) |      |
|--------------------|--------------------------|------|--------------------------|------|
|                    | Average                  | Peak | Average                  | Peak |
| 1~3                | 56                       | 76   | 50                       | 70   |
| 3~6                | 60                       | 80   | 54                       | 74   |

NOTE The lower limit applies at the transition frequency.

Unless otherwise stated the results shown in this test report refer only to the sample(s) tested and such sample(s) are retained for 90 days only.  
除非另有說明，此報告結果僅對測試之樣品負責，同時此樣品僅保留90天。本報告未經本公司書面許可，不可部份複製。

This document is issued by the Company subject to its General Conditions of Service printed overleaf, available on request or accessible at [www.sgs.com/terms\\_and\\_conditions.htm](http://www.sgs.com/terms_and_conditions.htm) and for electronic format documents, subject to Terms and Conditions for Electronic Documents at [www.sgs.com/terms\\_e-document.htm](http://www.sgs.com/terms_e-document.htm). Attention is drawn to the limitation of liability, indemnification and jurisdiction issues defined therein. Any holder of this document is advised that information contained hereon reflects the Company's findings at the time of its intervention only and within the limits of Client's instructions, if any. The Company's sole responsibility is to its Client and this document does not exonerate parties to a transaction from exercising all their rights and obligations under the transaction documents. This document cannot be reproduced except in full, without prior written approval of the Company. Any unauthorized alteration, forgery or falsification of the content or appearance of this document is unlawful and offenders may be prosecuted to the fullest extent of the law.



## 2.4. Test of Conducted Emission

### 2.4.1 Test Equipments

| SGS Conducted_Emission HWAYA Conducted Room No.A EMC |                      |                    |               |                  |                 |
|--|----------------------|--------------------|---------------|------------------|-----------------|
| EQUIPMENT TYPE                                       | Manufacturer         | Model Number       | Serial Number | Calibration Date | Calibration Due |
| EMI Test Receiver                                    | R&S                  | ESCI 3             | 101311        | 2017/6/23        | 2018/6/22       |
| Coaxial Cables                                       | EMC Instruments Corp | EMCRG58-BM-BM-3000 | 160812        | 2017/8/30        | 2018/8/29       |
| LISN   | SCHWARZBECK          | NSLK 8127          | 8127-648      | 2017/6/18        | 2018/6/17       |
| Pulse Limiter  | Narda S.T.S.         | PMM PL01           | 1110X30602    | 2017/8/12        | 2018/8/11       |
| LISN   | Schwarzbeck          | NSLK 8128          | NSLK8128-300  | 2017/9/4         | 2018/9/3        |
| Universal Digital Radio Communication Tester         | R&S                  | CMU 200            | 122498        | 2016/11/9        | 2017/11/8       |
| Wideband Radio Communication Tester                  | R&S                  | CMW 500            | 152303        | 2017/2/23        | 2018/2/22       |
| Test S/W   | Farad                | EZ-EMC             | Ver. SGS-03A2 | N.C.R.           | N.C.R.          |

SGS Taiwan LTD. Electronics & Communication Laboratory  
 No.2, Keji 1st Rd., Guishan Dist., Taoyuan City 333, Taiwan (R.O.C.)  
 Measurement Uncertainty of Conducted Emission  
 Expanded uncertainty (K=2) of conducted emission is 2.25 dB  
 Expanded uncertainty (K=2) of ISN conducted emission is 2.57 dB

### 2.4.2 Operating Environment

Temperature : 24 degree C

Humidity : 64 %RH

Atmospheric Pressure : 992 mBar

### 2.4.3 Measurement Level Calculation

Factor = LISN insertion loss + Cable loss + Pulse Limiter Insertion Loss

Measurement Level = Reading Level + Factor

Over (Margin) = Measurement Level – Limit

Unless otherwise stated the results shown in this test report refer only to the sample(s) tested and such sample(s) are retained for 90 days only.  
 除非另有說明，此報告結果僅對測試之樣品負責，同時此樣品僅保留90天。本報告未經本公司書面許可，不可部份複製。

This document is issued by the Company subject to its General Conditions of Service printed overleaf, available on request or accessible at [www.sgs.com/terms\\_and\\_conditions.htm](http://www.sgs.com/terms_and_conditions.htm) and for electronic format documents, subject to Terms and Conditions for Electronic Documents at [www.sgs.com/terms\\_e-document.htm](http://www.sgs.com/terms_e-document.htm). Attention is drawn to the limitation of liability, indemnification and jurisdiction issues defined therein. Any holder of this document is advised that information contained hereon reflects the Company's findings at the time of its intervention only and within the limits of Client's instructions, if any. The Company's sole responsibility is to its Client and this document does not exonerate parties to a transaction from exercising all their rights and obligations under the transaction documents. This document cannot be reproduced except in full, without prior written approval of the Company. Any unauthorized alteration, forgery or falsification of the content or appearance of this document is unlawful and offenders may be prosecuted to the fullest extent of the law.



2.4.4 Measurement Data:

Config\_1\_L

Site : Conduction Room Phase: **L1** Temperature: 24 °C  
 Limit: FCC Class B Conduction(QP) Power: AC 120V/60Hz Humidity: 64 %  
 Mode: Config 1 GSM 1900  
 Note:

Conducted Emission



| No. | Mk. | Freq.  | Reading Level | Correct Factor | Measurement | Limit | Over   | Detector | Comment |
|-----|-----|--------|---------------|----------------|-------------|-------|--------|----------|---------|
|     |     | MHz    | dBuV          | dB             | dBuV        | dBuV  | dB     |          |         |
| 1   | *   | 0.5180 | 39.30         | 0.35           | 39.65       | 56.00 | -16.35 | QP       |         |
| 2   |     | 0.5180 | 26.80         | 0.35           | 27.15       | 46.00 | -18.85 | AVG      |         |
| 3   |     | 2.6020 | 32.80         | 0.48           | 33.28       | 56.00 | -22.72 | QP       |         |
| 4   |     | 2.6020 | 22.50         | 0.48           | 22.98       | 46.00 | -23.02 | AVG      |         |
| 5   |     | 3.0580 | 33.50         | 0.51           | 34.01       | 56.00 | -21.99 | QP       |         |
| 6   |     | 3.0580 | 22.20         | 0.51           | 22.71       | 46.00 | -23.29 | AVG      |         |
| 7   |     | 3.8540 | 35.20         | 0.57           | 35.77       | 56.00 | -20.23 | QP       |         |
| 8   |     | 3.8540 | 23.00         | 0.57           | 23.57       | 46.00 | -22.43 | AVG      |         |
| 9   |     | 4.8180 | 35.80         | 0.61           | 36.41       | 56.00 | -19.59 | QP       |         |
| 10  |     | 4.8180 | 24.50         | 0.61           | 25.11       | 46.00 | -20.89 | AVG      |         |
| 11  |     | 9.7180 | 35.80         | 0.88           | 36.68       | 60.00 | -23.32 | QP       |         |
| 12  |     | 9.7180 | 25.00         | 0.88           | 25.88       | 50.00 | -24.12 | AVG      |         |

\*:Maximum data x:Over limit l:over margin

File :80213\Data #23

Page: 1

Unless otherwise stated the results shown in this test report refer only to the sample(s) tested and such sample(s) are retained for 90 days only.

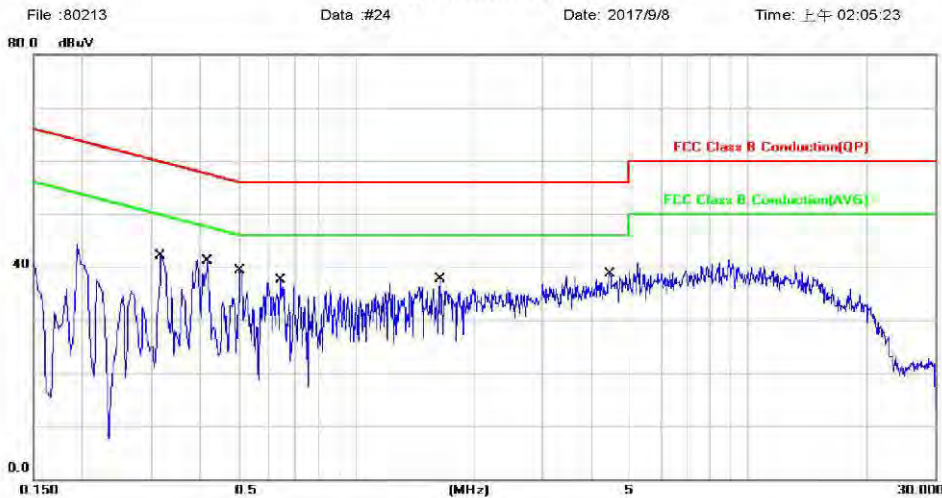
除非另有說明，此報告結果僅對測試之樣品負責，同時此樣品僅保留90天。本報告未經本公司書面許可，不可部份複製。  
 This document is issued by the Company subject to its General Conditions of Service printed overleaf, available on request or accessible at [www.sgs.com/terms\\_and\\_conditions.htm](http://www.sgs.com/terms_and_conditions.htm) and for electronic format documents, subject to Terms and Conditions for Electronic Documents at [www.sgs.com/terms\\_e-document.htm](http://www.sgs.com/terms_e-document.htm). Attention is drawn to the limitation of liability, indemnification and jurisdiction issues defined therein. Any holder of this document is advised that information contained hereon reflects the Company's findings at the time of its intervention only and within the limits of Client's instructions, if any. The Company's sole responsibility is to its Client and this document does not exonerate parties to a transaction from exercising all their rights and obligations under the transaction documents. This document cannot be reproduced except in full, without prior written approval of the Company. Any unauthorized alteration, forgery or falsification of the content or appearance of this document is unlawful and offenders may be prosecuted to the fullest extent of the law.



### Config\_1\_N

Site : Conduction Room      Phase: **N**      Temperature: 24 °C  
 Limit: FCC Class B Conduction(QP)      Power: AC 120V/60Hz      Humidity: 64 %  
 Mode: Config 1 GSM 1900  
 Note:

#### Conducted Emission



| No. | Mk. | Freq.  | Reading Level | Correct Factor | Measurement | Limit | Over   | Detector | Comment |
|-----|-----|--------|---------------|----------------|-------------|-------|--------|----------|---------|
|     |     | MHz    | dBuV          | dB             | dBuV        | dBuV  | dB     |          |         |
| 1   |     | 0.3180 | 37.00         | 0.42           | 37.42       | 59.76 | -22.34 | QP       |         |
| 2   |     | 0.3180 | 24.20         | 0.42           | 24.62       | 49.76 | -25.14 | AVG      |         |
| 3   |     | 0.4180 | 33.60         | 0.42           | 34.02       | 57.49 | -23.47 | QP       |         |
| 4   |     | 0.4180 | 18.20         | 0.42           | 18.62       | 47.49 | -28.87 | AVG      |         |
| 5   | *   | 0.5060 | 33.70         | 0.42           | 34.12       | 56.00 | -21.88 | QP       |         |
| 6   |     | 0.5060 | 20.10         | 0.42           | 20.52       | 46.00 | -25.48 | AVG      |         |
| 7   |     | 0.6420 | 32.60         | 0.42           | 33.02       | 56.00 | -22.98 | QP       |         |
| 8   |     | 0.6420 | 20.70         | 0.42           | 21.12       | 46.00 | -24.88 | AVG      |         |
| 9   |     | 1.6420 | 30.00         | 0.44           | 30.44       | 56.00 | -25.56 | QP       |         |
| 10  |     | 1.6420 | 19.60         | 0.44           | 20.04       | 46.00 | -25.96 | AVG      |         |
| 11  |     | 4.4420 | 31.50         | 0.48           | 31.98       | 56.00 | -24.02 | QP       |         |
| 12  |     | 4.4420 | 21.00         | 0.48           | 21.48       | 46.00 | -24.52 | AVG      |         |

\*:Maximum data    x:Over limit    !:over margin

File :80213\Data #24

Page: 1

Unless otherwise stated the results shown in this test report refer only to the sample(s) tested and such sample(s) are retained for 90 days only.  
 除非另有說明，此報告結果僅對測試之樣品負責，同時此樣品僅保留90天。本報告未經本公司書面許可，不可部份複製。

This document is issued by the Company subject to its General Conditions of Service printed overleaf, available on request or accessible at [www.sgs.com/terms\\_and\\_conditions.htm](http://www.sgs.com/terms_and_conditions.htm) and for electronic format documents, subject to Terms and Conditions for Electronic Documents at [www.sgs.com/terms\\_e-document.htm](http://www.sgs.com/terms_e-document.htm). Attention is drawn to the limitation of liability, indemnification and jurisdiction issues defined therein. Any holder of this document is advised that information contained hereon reflects the Company's findings at the time of its intervention only and within the limits of Client's instructions, if any. The Company's sole responsibility is to its Client and this document does not exonerate parties to a transaction from exercising all their rights and obligations under the transaction documents. This document cannot be reproduced except in full, without prior written approval of the Company. Any unauthorized alteration, forgery or falsification of the content or appearance of this document is unlawful and offenders may be prosecuted to the fullest extent of the law.

### Config\_2\_L

Site : Conduction Room      Phase: **L1**      Temperature: 24 °C  
 Limit: FCC Class B Conduction(QP)      Power: From System      Humidity: 64 %  
 Mode: Config 2 Data Read/Write  
 Note: AC 120V/60Hz , Internal Sotrage Write

#### Conducted Emission



| No. | Mk. | Freq.<br>MHz | Reading<br>Level<br>dBuV | Correct<br>Factor<br>dB | Measure-<br>ment<br>dBuV | Limit<br>dBuV | Over<br>dB | Detector | Comment |
|-----|-----|--------------|--------------------------|-------------------------|--------------------------|---------------|------------|----------|---------|
| 1   | *   | 0.1740       | 45.40                    | 0.34                    | 45.74                    | 64.77         | -19.03     | QP       |         |
| 2   |     | 0.1740       | 33.30                    | 0.34                    | 33.64                    | 54.77         | -21.13     | AVG      |         |
| 3   |     | 0.2300       | 37.60                    | 0.33                    | 37.93                    | 62.45         | -24.52     | QP       |         |
| 4   |     | 0.2300       | 22.70                    | 0.33                    | 23.03                    | 52.45         | -29.42     | AVG      |         |
| 5   |     | 0.3020       | 35.50                    | 0.34                    | 35.84                    | 60.19         | -24.35     | QP       |         |
| 6   |     | 0.3020       | 28.50                    | 0.34                    | 28.84                    | 50.19         | -21.35     | AVG      |         |
| 7   |     | 0.4460       | 32.50                    | 0.34                    | 32.84                    | 56.95         | -24.11     | QP       |         |
| 8   |     | 0.4460       | 16.90                    | 0.34                    | 17.24                    | 46.95         | -29.71     | AVG      |         |
| 9   |     | 1.5300       | 29.00                    | 0.41                    | 29.41                    | 56.00         | -26.59     | QP       |         |
| 10  |     | 1.5300       | 21.90                    | 0.41                    | 22.31                    | 46.00         | -23.69     | AVG      |         |
| 11  |     | 24.5940      | 26.90                    | 1.12                    | 28.02                    | 60.00         | -31.98     | QP       |         |
| 12  |     | 24.5940      | 21.60                    | 1.12                    | 22.72                    | 50.00         | -27.28     | AVG      |         |

\*:Maximum data    x:Over limit    !:over margin

File :80213\Data #10

Page: 1

Unless otherwise stated the results shown in this test report refer only to the sample(s) tested and such sample(s) are retained for 90 days only.

除非另有說明，此報告結果僅對測試之樣品負責，同時此樣品僅保留90天。本報告未經本公司書面許可，不可部份複製。

This document is issued by the Company subject to its General Conditions of Service printed overleaf, available on request or accessible at [www.sgs.com/terms\\_and\\_conditions.htm](http://www.sgs.com/terms_and_conditions.htm) and for electronic format documents, subject to Terms and Conditions for Electronic Documents at [www.sgs.com/terms\\_e-document.htm](http://www.sgs.com/terms_e-document.htm). Attention is drawn to the limitation of liability, indemnification and jurisdiction issues defined therein. Any holder of this document is advised that information contained hereon reflects the Company's findings at the time of its intervention only and within the limits of Client's instructions, if any. The Company's sole responsibility is to its Client and this document does not exonerate parties to a transaction from exercising all their rights and obligations under the transaction documents. This document cannot be reproduced except in full, without prior written approval of the Company. Any unauthorized alteration, forgery or falsification of the content or appearance of this document is unlawful and offenders may be prosecuted to the fullest extent of the law.

### Config\_2\_N

Site : Conduction Room      Phase: **N**      Temperature: 24 °C  
 Limit: FCC Class B Conduction(QP)      Power: From System      Humidity: 64 %  
 Mode: Config 2 Data Read/Write  
 Note: AC 120V/60Hz , Internal Sotrage Write

#### Conducted Emission



| No. | Mk. | Freq.   | Reading Level | Correct Factor | Measurement | Limit | Over   | Detector | Comment |
|-----|-----|---------|---------------|----------------|-------------|-------|--------|----------|---------|
|     |     | MHz     | dBuV          | dB             | dBuV        | dBuV  | dB     |          |         |
| 1   |     | 0.1740  | 45.40         | 0.42           | 45.82       | 64.77 | -18.95 | QP       |         |
| 2   |     | 0.1740  | 31.20         | 0.42           | 31.62       | 54.77 | -23.15 | AVG      |         |
| 3   |     | 0.2140  | 42.10         | 0.41           | 42.51       | 63.05 | -20.54 | QP       |         |
| 4   |     | 0.2140  | 31.20         | 0.41           | 31.61       | 53.05 | -21.44 | AVG      |         |
| 5   |     | 0.4620  | 35.20         | 0.42           | 35.62       | 56.66 | -21.04 | QP       |         |
| 6   | *   | 0.4620  | 28.70         | 0.42           | 29.12       | 46.66 | -17.54 | AVG      |         |
| 7   |     | 4.4780  | 26.20         | 0.48           | 26.68       | 56.00 | -29.32 | QP       |         |
| 8   |     | 4.4780  | 21.00         | 0.48           | 21.48       | 46.00 | -24.52 | AVG      |         |
| 9   |     | 16.1220 | 28.80         | 0.71           | 29.51       | 60.00 | -30.49 | QP       |         |
| 10  |     | 16.1220 | 23.70         | 0.71           | 24.41       | 50.00 | -25.59 | AVG      |         |
| 11  |     | 24.5500 | 28.00         | 0.89           | 28.89       | 60.00 | -31.11 | QP       |         |
| 12  |     | 24.5500 | 22.70         | 0.89           | 23.59       | 50.00 | -26.41 | AVG      |         |

\*:Maximum data    x:Over limit    !:over margin

File :80213\Data :#9

Page: 1

Unless otherwise stated the results shown in this test report refer only to the sample(s) tested and such sample(s) are retained for 90 days only.

除非另有說明，此報告結果僅對測試之樣品負責，同時此樣品僅保留90天。本報告未經本公司書面許可，不可部份複製。

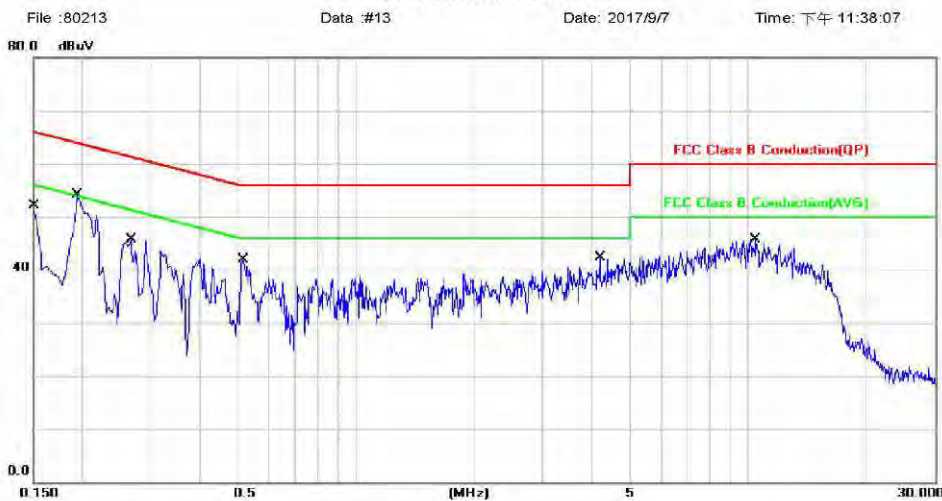
This document is issued by the Company subject to its General Conditions of Service printed overleaf, available on request or accessible at [www.sgs.com/terms\\_and\\_conditions.htm](http://www.sgs.com/terms_and_conditions.htm) and for electronic format documents, subject to Terms and Conditions for Electronic Documents at [www.sgs.com/terms\\_e-document.htm](http://www.sgs.com/terms_e-document.htm). Attention is drawn to the limitation of liability, indemnification and jurisdiction issues defined therein. Any holder of this document is advised that information contained hereon reflects the Company's findings at the time of its intervention only and within the limits of Client's instructions, if any. The Company's sole responsibility is to its Client and this document does not exonerate parties to a transaction from exercising all their rights and obligations under the transaction documents. This document cannot be reproduced except in full, without prior written approval of the Company. Any unauthorized alteration, forgery or falsification of the content or appearance of this document is unlawful and offenders may be prosecuted to the fullest extent of the law.



### Config\_3\_L

Site : Conduction Room      Phase: **L1**      Temperature: 24 °C  
 Limit: FCC Class B Conduction(QP)      Power: AC 120V/60Hz      Humidity: 64 %  
 Mode: Config 3 MP3  
 Note:

#### Conducted Emission



| No. | Mk. | Freq.   | Reading Level | Correct Factor | Measurement | Limit | Over   | Detector | Comment |
|-----|-----|---------|---------------|----------------|-------------|-------|--------|----------|---------|
|     |     | MHz     | dBuV          | dB             | dBuV        | dBuV  | dB     |          |         |
| 1   |     | 0.1500  | 44.50         | 0.34           | 44.84       | 66.00 | -21.16 | QP       |         |
| 2   |     | 0.1500  | 26.00         | 0.34           | 26.34       | 56.00 | -29.66 | AVG      |         |
| 3   | *   | 0.1940  | 50.80         | 0.33           | 51.13       | 63.86 | -12.73 | QP       |         |
| 4   |     | 0.1940  | 37.00         | 0.33           | 37.33       | 53.86 | -16.53 | AVG      |         |
| 5   |     | 0.2660  | 41.60         | 0.33           | 41.93       | 61.24 | -19.31 | QP       |         |
| 6   |     | 0.2660  | 26.80         | 0.33           | 27.13       | 51.24 | -24.11 | AVG      |         |
| 7   |     | 0.5140  | 36.90         | 0.35           | 37.25       | 56.00 | -18.75 | QP       |         |
| 8   |     | 0.5140  | 25.90         | 0.35           | 26.25       | 46.00 | -19.75 | AVG      |         |
| 9   |     | 4.1860  | 34.10         | 0.59           | 34.69       | 56.00 | -21.31 | QP       |         |
| 10  |     | 4.1860  | 23.50         | 0.59           | 24.09       | 46.00 | -21.91 | AVG      |         |
| 11  |     | 10.4820 | 35.80         | 0.89           | 36.69       | 60.00 | -23.31 | QP       |         |
| 12  |     | 10.4820 | 24.90         | 0.89           | 25.79       | 50.00 | -24.21 | AVG      |         |

\*:Maximum data    x:Over limit    !:over margin

File :80213\Data #13

Page: 1

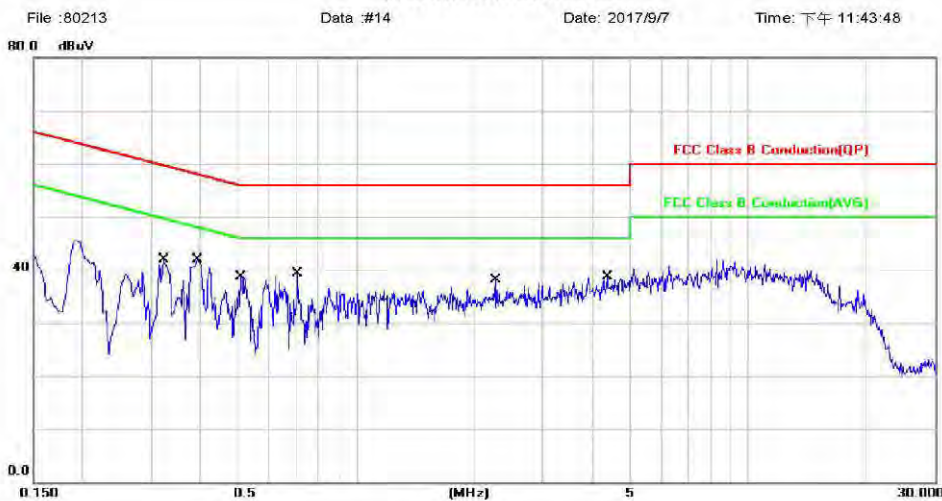
Unless otherwise stated the results shown in this test report refer only to the sample(s) tested and such sample(s) are retained for 90 days only.  
 除非另有說明，此報告結果僅對測試之樣品負責，同時此樣品僅保留90天。本報告未經本公司書面許可，不可部份複製。

This document is issued by the Company subject to its General Conditions of Service printed overleaf, available on request or accessible at [www.sgs.com/terms\\_and\\_conditions.htm](http://www.sgs.com/terms_and_conditions.htm) and for electronic format documents, subject to Terms and Conditions for Electronic Documents at [www.sgs.com/terms\\_e-document.htm](http://www.sgs.com/terms_e-document.htm). Attention is drawn to the limitation of liability, indemnification and jurisdiction issues defined therein. Any holder of this document is advised that information contained hereon reflects the Company's findings at the time of its intervention only and within the limits of Client's instructions, if any. The Company's sole responsibility is to its Client and this document does not exonerate parties to a transaction from exercising all their rights and obligations under the transaction documents. This document cannot be reproduced except in full, without prior written approval of the Company. Any unauthorized alteration, forgery or falsification of the content or appearance of this document is unlawful and offenders may be prosecuted to the fullest extent of the law.

### Config\_3\_N

Site : Conduction Room      Phase: **N**      Temperature: 24 °C  
 Limit: FCC Class B Conduction(QP)      Power: AC 120V/60Hz      Humidity: 64 %  
 Mode: Config 3 MP3  
 Note:

#### Conducted Emission



| No. | Mk. | Freq.  | Reading Level | Correct Factor | Measurement | Limit | Over   | Detector | Comment |
|-----|-----|--------|---------------|----------------|-------------|-------|--------|----------|---------|
|     |     | MHz    | dBuV          | dB             | dBuV        | dBuV  | dB     |          |         |
| 1   |     | 0.3220 | 37.40         | 0.42           | 37.82       | 59.66 | -21.84 | QP       |         |
| 2   |     | 0.3220 | 26.00         | 0.42           | 26.42       | 49.66 | -23.24 | AVG      |         |
| 3   | *   | 0.3940 | 39.80         | 0.42           | 40.22       | 57.98 | -17.76 | QP       |         |
| 4   |     | 0.3940 | 28.10         | 0.42           | 28.52       | 47.98 | -19.46 | AVG      |         |
| 5   |     | 0.5100 | 33.60         | 0.42           | 34.02       | 56.00 | -21.98 | QP       |         |
| 6   |     | 0.5100 | 21.70         | 0.42           | 22.12       | 46.00 | -23.88 | AVG      |         |
| 7   |     | 0.7100 | 31.50         | 0.43           | 31.93       | 56.00 | -24.07 | QP       |         |
| 8   |     | 0.7100 | 19.20         | 0.43           | 19.63       | 46.00 | -26.37 | AVG      |         |
| 9   |     | 2.2780 | 29.50         | 0.45           | 29.95       | 56.00 | -26.05 | QP       |         |
| 10  |     | 2.2780 | 19.20         | 0.45           | 19.65       | 46.00 | -26.35 | AVG      |         |
| 11  |     | 4.3700 | 30.90         | 0.48           | 31.38       | 56.00 | -24.62 | QP       |         |
| 12  |     | 4.3700 | 20.70         | 0.48           | 21.18       | 46.00 | -24.82 | AVG      |         |

\*:Maximum data    x:Over limit    !:over margin

File :80213\Data #14

Page: 1

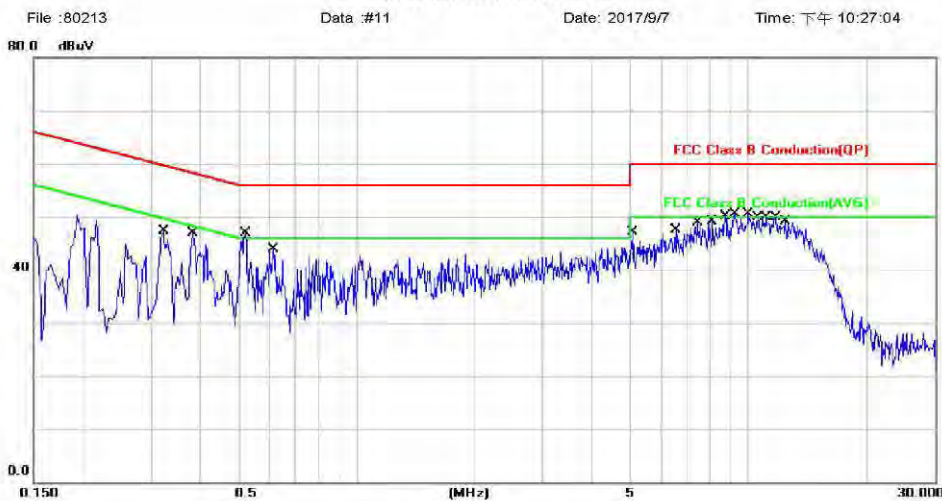
Unless otherwise stated the results shown in this test report refer only to the sample(s) tested and such sample(s) are retained for 90 days only.  
 除非另有說明，此報告結果僅對測試之樣品負責，同時此樣品僅保留90天。本報告未經本公司書面許可，不可部份複製。

This document is issued by the Company subject to its General Conditions of Service printed overleaf, available on request or accessible at [www.sgs.com/terms\\_and\\_conditions.htm](http://www.sgs.com/terms_and_conditions.htm) and for electronic format documents, subject to Terms and Conditions for Electronic Documents at [www.sgs.com/terms\\_e-document.htm](http://www.sgs.com/terms_e-document.htm). Attention is drawn to the limitation of liability, indemnification and jurisdiction issues defined therein. Any holder of this document is advised that information contained hereon reflects the Company's findings at the time of its intervention only and within the limits of Client's instructions, if any. The Company's sole responsibility is to its Client and this document does not exonerate parties to a transaction from exercising all their rights and obligations under the transaction documents. This document cannot be reproduced except in full, without prior written approval of the Company. Any unauthorized alteration, forgery or falsification of the content or appearance of this document is unlawful and offenders may be prosecuted to the fullest extent of the law.

### Config\_4\_L

Site : Conduction Room      Phase: **L1**      Temperature: 24 °C  
 Limit: FCC Class B Conduction(QP)      Power: AC 120V/60Hz      Humidity: 64 %  
 Mode: Config 4 Cradle Charger+MP3  
 Note:

#### Conducted Emission



| No. | Mk. | Freq.  | Reading Level | Correct Factor | Measurement | Limit | Over   | Detector | Comment |
|-----|-----|--------|---------------|----------------|-------------|-------|--------|----------|---------|
|     |     | MHz    | dBuV          | dB             | dBuV        | dBuV  | dB     |          |         |
| 1   |     | 0.3220 | 43.40         | 0.34           | 43.74       | 59.66 | -15.92 | QP       |         |
| 2   |     | 0.3220 | 33.40         | 0.34           | 33.74       | 49.66 | -15.92 | AVG      |         |
| 3   |     | 0.3820 | 43.50         | 0.34           | 43.84       | 58.24 | -14.40 | QP       |         |
| 4   |     | 0.3820 | 30.80         | 0.34           | 31.14       | 48.24 | -17.10 | AVG      |         |
| 5   |     | 0.5220 | 42.80         | 0.35           | 43.15       | 56.00 | -12.85 | QP       |         |
| 6   |     | 0.5220 | 31.20         | 0.35           | 31.55       | 46.00 | -14.45 | AVG      |         |
| 7   |     | 0.6140 | 36.20         | 0.35           | 36.55       | 56.00 | -19.45 | QP       |         |
| 8   |     | 0.6140 | 24.20         | 0.35           | 24.55       | 46.00 | -21.45 | AVG      |         |
| 9   |     | 5.1100 | 37.30         | 0.62           | 37.92       | 60.00 | -22.08 | QP       |         |
| 10  |     | 5.1100 | 27.90         | 0.62           | 28.52       | 50.00 | -21.48 | AVG      |         |
| 11  |     | 6.5380 | 39.80         | 0.67           | 40.47       | 60.00 | -19.53 | QP       |         |
| 12  |     | 6.5380 | 29.40         | 0.67           | 30.07       | 50.00 | -19.93 | AVG      |         |
| 13  |     | 7.4100 | 40.20         | 0.70           | 40.90       | 60.00 | -19.10 | QP       |         |

\*:Maximum data    x:Over limit    !:over margin

File :80213\Data :#11

Page: 1

Unless otherwise stated the results shown in this test report refer only to the sample(s) tested and such sample(s) are retained for 90 days only.  
 除非另有說明，此報告結果僅對測試之樣品負責，同時此樣品僅保留90天。本報告未經本公司書面許可，不可部份複製。

This document is issued by the Company subject to its General Conditions of Service printed overleaf, available on request or accessible at [www.sgs.com/terms\\_and\\_conditions.htm](http://www.sgs.com/terms_and_conditions.htm) and for electronic format documents, subject to Terms and Conditions for Electronic Documents at [www.sgs.com/terms\\_e-document.htm](http://www.sgs.com/terms_e-document.htm). Attention is drawn to the limitation of liability, indemnification and jurisdiction issues defined therein. Any holder of this document is advised that information contained hereon reflects the Company's findings at the time of its intervention only and within the limits of Client's instructions, if any. The Company's sole responsibility is to its Client and this document does not exonerate parties to a transaction from exercising all their rights and obligations under the transaction documents. This document cannot be reproduced except in full, without prior written approval of the Company. Any unauthorized alteration, forgery or falsification of the content or appearance of this document is unlawful and offenders may be prosecuted to the fullest extent of the law.





Config\_4\_L2

| No.  | Mk. | Freq.   | Reading Level |      | Correct Factor | Measurement |        | Limit | Over |  | Detector | Comment |
|------|-----|---------|---------------|------|----------------|-------------|--------|-------|------|--|----------|---------|
|      |     |         | MHz           | dBuV |                | dB          | dBuV   |       | dB   |  |          |         |
| 14   |     | 7.4100  | 29.30         | 0.70 | 30.00          | 50.00       | -20.00 | AVG   |      |  |          |         |
| 15   |     | 8.1460  | 40.70         | 0.74 | 41.44          | 60.00       | -18.56 | QP    |      |  |          |         |
| 16   |     | 8.1460  | 29.80         | 0.74 | 30.54          | 50.00       | -19.46 | AVG   |      |  |          |         |
| 17   |     | 8.7660  | 41.30         | 0.83 | 42.13          | 60.00       | -17.87 | QP    |      |  |          |         |
| 18   |     | 8.7660  | 30.20         | 0.83 | 31.03          | 50.00       | -18.97 | AVG   |      |  |          |         |
| 19   |     | 9.2220  | 41.00         | 0.86 | 41.86          | 60.00       | -18.14 | QP    |      |  |          |         |
| 20   |     | 9.2220  | 30.20         | 0.86 | 31.06          | 50.00       | -18.94 | AVG   |      |  |          |         |
| 21   |     | 10.0420 | 41.70         | 0.89 | 42.59          | 60.00       | -17.41 | QP    |      |  |          |         |
| 22   |     | 10.0420 | 30.10         | 0.89 | 30.99          | 50.00       | -19.01 | AVG   |      |  |          |         |
| 23   |     | 10.5900 | 41.10         | 0.90 | 42.00          | 60.00       | -18.00 | QP    |      |  |          |         |
| 24   |     | 10.5900 | 29.90         | 0.90 | 30.80          | 50.00       | -19.20 | AVG   |      |  |          |         |
| 25   |     | 11.1340 | 41.50         | 0.90 | 42.40          | 60.00       | -17.60 | QP    |      |  |          |         |
| 26 * |     | 11.1340 | 39.80         | 0.90 | 40.70          | 50.00       | -9.30  | AVG   |      |  |          |         |
| 27   |     | 11.7620 | 41.60         | 0.91 | 42.51          | 60.00       | -17.49 | QP    |      |  |          |         |
| 28   |     | 11.7620 | 29.50         | 0.91 | 30.41          | 50.00       | -19.59 | AVG   |      |  |          |         |
| 29   |     | 12.4540 | 40.90         | 0.91 | 41.81          | 60.00       | -18.19 | QP    |      |  |          |         |
| 30   |     | 12.4540 | 29.30         | 0.91 | 30.21          | 50.00       | -19.79 | AVG   |      |  |          |         |

\*:Maximum data x:Over limit l:over margin

File :80213\Data :#11

Page: 2

Unless otherwise stated the results shown in this test report refer only to the sample(s) tested and such sample(s) are retained for 90 days only.  
 除非另有說明，此報告結果僅對測試之樣品負責，同時此樣品僅保留90天。本報告未經本公司書面許可，不可部份複製。

This document is issued by the Company subject to its General Conditions of Service printed overleaf, available on request or accessible at [www.sgs.com/terms\\_and\\_conditions.htm](http://www.sgs.com/terms_and_conditions.htm) and for electronic format documents, subject to Terms and Conditions for Electronic Documents at [www.sgs.com/terms\\_e-document.htm](http://www.sgs.com/terms_e-document.htm). Attention is drawn to the limitation of liability, indemnification and jurisdiction issues defined therein. Any holder of this document is advised that information contained hereon reflects the Company's findings at the time of its intervention only and within the limits of Client's instructions, if any. The Company's sole responsibility is to its Client and this document does not exonerate parties to a transaction from exercising all their rights and obligations under the transaction documents. This document cannot be reproduced except in full, without prior written approval of the Company. Any unauthorized alteration, forgery or falsification of the content or appearance of this document is unlawful and offenders may be prosecuted to the fullest extent of the law.

### Config\_4\_N

Site : Conduction Room      Phase: **N**      Temperature: 24 °C  
 Limit: FCC Class B Conduction(QP)      Power: AC 120V/60Hz      Humidity: 64 %  
 Mode: Config 4 Cradle Charger+MP3  
 Note:

#### Conducted Emission



| No. | Mk. | Freq.   | Reading | Correct | Measure- | Limit | Over   |          |         |
|-----|-----|---------|---------|---------|----------|-------|--------|----------|---------|
|     |     | MHz     | dBuV    | dB      | ment     | dBuV  | dB     | Detector | Comment |
| 1   | *   | 0.3940  | 44.10   | 0.42    | 44.52    | 57.98 | -13.46 | QP       |         |
| 2   |     | 0.3940  | 32.00   | 0.42    | 32.42    | 47.98 | -15.56 | AVG      |         |
| 3   |     | 0.6220  | 36.80   | 0.42    | 37.22    | 56.00 | -18.78 | QP       |         |
| 4   |     | 0.6220  | 21.60   | 0.42    | 22.02    | 46.00 | -23.98 | AVG      |         |
| 5   |     | 4.7980  | 35.50   | 0.48    | 35.98    | 56.00 | -20.02 | QP       |         |
| 6   |     | 4.7980  | 24.80   | 0.48    | 25.28    | 46.00 | -20.72 | AVG      |         |
| 7   |     | 9.1380  | 39.00   | 0.66    | 39.66    | 60.00 | -20.34 | QP       |         |
| 8   |     | 9.1380  | 28.50   | 0.66    | 29.16    | 50.00 | -20.84 | AVG      |         |
| 9   |     | 11.5860 | 40.20   | 0.68    | 40.88    | 60.00 | -19.12 | QP       |         |
| 10  |     | 11.5860 | 28.50   | 0.68    | 29.18    | 50.00 | -20.82 | AVG      |         |
| 11  |     | 12.9300 | 41.00   | 0.69    | 41.69    | 60.00 | -18.31 | QP       |         |
| 12  |     | 12.9300 | 28.30   | 0.69    | 28.99    | 50.00 | -21.01 | AVG      |         |

\*:Maximum data    x:Over limit    !:over margin

File :80213\Data #12

Page: 1

Unless otherwise stated the results shown in this test report refer only to the sample(s) tested and such sample(s) are retained for 90 days only.

除非另有說明，此報告結果僅對測試之樣品負責，同時此樣品僅保留90天。本報告未經本公司書面許可，不可部份複製。

This document is issued by the Company subject to its General Conditions of Service printed overleaf, available on request or accessible at [www.sgs.com/terms\\_and\\_conditions.htm](http://www.sgs.com/terms_and_conditions.htm) and for electronic format documents, subject to Terms and Conditions for Electronic Documents at [www.sgs.com/terms\\_e-document.htm](http://www.sgs.com/terms_e-document.htm). Attention is drawn to the limitation of liability, indemnification and jurisdiction issues defined therein. Any holder of this document is advised that information contained hereon reflects the Company's findings at the time of its intervention only and within the limits of Client's instructions, if any. The Company's sole responsibility is to its Client and this document does not exonerate parties to a transaction from exercising all their rights and obligations under the transaction documents. This document cannot be reproduced except in full, without prior written approval of the Company. Any unauthorized alteration, forgery or falsification of the content or appearance of this document is unlawful and offenders may be prosecuted to the fullest extent of the law.



## 2.5 Test of Radiated Emission

### 2.5.1 Test Equipments

#### Below 1GHz

| SGS Radiated_Below_1GHz HWAYA 10m_EMC        |                       |                 |               |                  |                 |
|--|-----------------------|-----------------|---------------|------------------|-----------------|
| EQUIPMENT TYPE                               | Manufacturer          | Model Number    | Serial Number | Calibration Date | Calibration Due |
| EMI Test Receiver                            | R&S                   | ESCI 7          | 100924        | 2016/9/30        | 2017/9/29       |
| EMI Test Receiver                            | R&S                   | ESCI 3          | 101343        | 2016/12/21       | 2017/12/20      |
| Broadband Antenna                            | SCHWAZBECK            | VULB9168        | 9168-628      | 2017/9/8         | 2018/9/7        |
| Broadband Antenna                            | SCHWAZBECK            | VULB9168        | 9168-629      | 2017/9/12        | 2018/9/11       |
| Pre Amplifier                                | EMC Instruments Corp. | EMC330          | 980178        | 2017/3/31        | 2018/3/30       |
| Pre Amplifier                                | EMC Instruments Corp. | EMC330          | 980179        | 2017/3/31        | 2018/3/30       |
| Coaxial Cable                                | EMC Instruments       | EMCCFD400-NM-NM | 150917        | 2017/9/18        | 2018/9/17       |
| Coaxial Cable                                | EMC Instruments       | EMCCFD400-NM-NM | 150919        | 2017/9/18        | 2018/9/17       |
| Coaxial Cable                                | EMC Instruments       | EMCCFD400-NM-NM | 150820        | 2017/9/18        | 2018/9/17       |
| Coaxial Cable                                | EMC Instruments       | EMCCFD400-NM-NM | 150918        | 2017/9/18        | 2018/9/17       |
| Coaxial Cable                                | EMC Instruments       | EMCCFD400-NM-NM | 150821        | 2017/9/18        | 2018/9/17       |
| Coaxial Cable                                | EMC Instruments       | EMCCFD400-NM-NM | 150822        | 2017/9/18        | 2018/9/17       |
| Universal Digital Radio Communication Tester | R&S                   | CMU 200         | 122498        | 2016/11/9        | 2017/11/8       |
| Wideband Radio Communication Tester          | R&S                   | CMW 500         | 152303        | 2017/2/23        | 2018/2/22       |
| Controller                                   | MF                    | MF-7802         | N/A           | N.C.R.           | N.C.R.          |
| Controller                                   | MF                    | MF-7802         | N/A           | N.C.R.           | N.C.R.          |
| Antenna Master                               | MF                    | N/A             | N/A           | N.C.R.           | N.C.R.          |
| Antenna Master                               | MF                    | N/A             | N/A           | N.C.R.           | N.C.R.          |
| Antenna Master                               | MF                    | N/A             | N/A           | N.C.R.           | N.C.R.          |
| Turn Table                                   | MF                    | N/A             | N/A           | N.C.R.           | N.C.R.          |
| Site NSA                                     | Chance Most           | 10M Chamber     | 10M SAC       | 2016/12/31       | 2017/12/31      |
| Test S/W                                     | Farad                 | EZ-EMC          | Ver. SGS-03A2 | N.C.R.           | N.C.R.          |

SGS Taiwan LTD. Electronics & Communication Laboratory  
 No.2, Keji 1st Rd., Guishan Dist., Taoyuan City 333, Taiwan (R.O.C.)  
 Measurement Uncertainty of Radiated Emission  
 Expanded uncertainty of radiated emission is 4.09 dB. (30MHz ~ 1000MHz)

Unless otherwise stated the results shown in this test report refer only to the sample(s) tested and such sample(s) are retained for 90 days only.

除非另有說明，此報告結果僅對測試之樣品負責，同時此樣品僅保留90天。本報告未經本公司書面許可，不可部份複製。

This document is issued by the Company subject to its General Conditions of Service printed overleaf, available on request or accessible at [www.sgs.com/terms\\_and\\_conditions.htm](http://www.sgs.com/terms_and_conditions.htm) and for electronic format documents, subject to Terms and Conditions for Electronic Documents at [www.sgs.com/terms\\_e-document.htm](http://www.sgs.com/terms_e-document.htm). Attention is drawn to the limitation of liability, indemnification and jurisdiction issues defined therein. Any holder of this document is advised that information contained hereon reflects the Company's findings at the time of its intervention only and within the limits of Client's instructions, if any. The Company's sole responsibility is to its Client and this document does not exonerate parties to a transaction from exercising all their rights and obligations under the transaction documents. This document cannot be reproduced except in full, without prior written approval of the Company. Any unauthorized alteration, forgery or falsification of the content or appearance of this document is unlawful and offenders may be prosecuted to the fullest extent of the law.

SGS Taiwan Ltd.

No.134,Wu Kung Road, New Taipei Industrial Park, Wuku District, New Taipei City, Taiwan 24803/新北市五股區新北產業園區五工路 134 號

台灣檢驗科技股份有限公司

t (886-2) 2299-3279

f (886-2) 2298-0488

www.tw.sgs.com

Member of SGS Group



## Above 1GHz

| SGS Radiated_Above_1GHz HWAYA 966A_EMC       |                       |                  |               |                  |                 |
|--|-----------------------|------------------|---------------|------------------|-----------------|
| EQUIPMENT TYPE                               | Manufacturer          | Model Number     | Serial Number | Calibration Date | Calibration Due |
| Spectrum Analyzer                            | R&S                   | FSV 40           | 101419        | 2017/3/1         | 2018/2/28       |
| EMI Test Receiver                            | R&S                   | ESR 7            | 101459        | 2017/2/17        | 2018/2/16       |
| Horn Antenna                                 | SCHWARZBECK           | BBHA9120D        | BBHA9120D673  | 2016/10/14       | 2017/10/13      |
| Horn Antenna                                 | Schwarzbeck           | BBHA9170         | BBHA9170-184  | 2016/12/12       | 2017/12/11      |
| Pre Amplifier                                | EMC Instruments Corp. | EMC012645B       | 980216        | 2017/4/25        | 2018/4/24       |
| Pre Amplifier                                | EMC Instruments Corp. | EMC184045B       | 980135        | 2016/10/27       | 2017/10/26      |
| Coaxial Cable                                | JUNFLOW               | MWX221-NMSNMS    | J0778929      | 2017/4/23        | 2018/4/22       |
| Coaxial Cable                                | Huber+Suhner          | SUCCOFLEX 104PEA | 30255/4PEA    | 2017/4/23        | 2018/4/22       |
| Coaxial Cable                                | EMC Instruments       | EMC104-SM-SM     | 140927        | 2017/4/23        | 2018/4/22       |
| Coaxial Cable                                | Huber+Suhner          | SUCOFLEX 102     | MY 2152/2     | 2017/6/5         | 2018/6/4        |
| Coaxial Cable                                | Huber+Suhner          | SUCOFLEX 102     | MY 2153/2     | 2017/6/5         | 2018/6/4        |
| Universal Digital Radio Communication Tester | R&S                   | CMU 200          | 122498        | 2016/11/9        | 2017/11/8       |
| Wideband Radio Communication Tester          | R&S                   | CMW 500          | 152303        | 2017/2/23        | 2018/2/22       |
| Controller                                   | MF                    | MF-7802          | N.C.R.        | N.C.R.           | N.C.R.          |
| Antenna Master                               | MF                    | N/A              | N/A           | N.C.R.           | N.C.R.          |
| Turn Table                                   | MF                    | N/A              | N/A           | N.C.R.           | N.C.R.          |
| Site VSWR                                    | SGS                   | 966 Chamber A    | SAC-A         | 2017/1/12        | 2018/1/11       |
| Test S/W                                     | Farad                 | EZ-EMC           | Ver. SGS-03A2 | N.C.R.           | N.C.R.          |

SGS Taiwan LTD. Electronics & Communication Laboratory  
 No.2, Keji 1st Rd., Guishan Dist., Taoyuan City 333, Taiwan (R.O.C.)  
 Measurement Uncertainty of Radiated Emission  
 Expanded uncertainty (k=2) of radiated emission measurement is 5.05 dB. (1-6GHz)  
 Expanded uncertainty (k=2) of radiated emission measurement is 5.07 dB. (6-18GHz)  
 Expanded uncertainty (k=2) of radiated emission measurement is 5.19 dB. (18-26GHz)  
 Expanded uncertainty (k=2) of radiated emission measurement is 5.14 dB. (26-40GHz)

### 2.5.2 Operating Environment

Temperature : 25 degree C

Humidity : 65 %RH

Atmospheric Pressure : 996 mBar

### 2.5.3 Measurement Level Calculation

Correction Factor = Antenna Factor + Cable loss- Amplifier Gain

Measurement Level = Reading Level + Correction Factor

Over (Margin) = Measurement Level – Limit

Unless otherwise stated the results shown in this test report refer only to the sample(s) tested and such sample(s) are retained for 90 days only.  
 除非另有說明，此報告結果僅對測試之樣品負責，同時此樣品僅保留90天。本報告未經本公司書面許可，不可部份複製。

This document is issued by the Company subject to its General Conditions of Service printed overleaf, available on request or accessible at [www.sgs.com/terms\\_and\\_conditions.htm](http://www.sgs.com/terms_and_conditions.htm) and for electronic format documents, subject to Terms and Conditions for Electronic Documents at [www.sgs.com/terms\\_e-document.htm](http://www.sgs.com/terms_e-document.htm). Attention is drawn to the limitation of liability, indemnification and jurisdiction issues defined therein. Any holder of this document is advised that information contained hereon reflects the Company's findings at the time of its intervention only and within the limits of Client's instructions, if any. The Company's sole responsibility is to its Client and this document does not exonerate parties to a transaction from exercising all their rights and obligations under the transaction documents. This document cannot be reproduced except in full, without prior written approval of the Company. Any unauthorized alteration, forgery or falsification of the content or appearance of this document is unlawful and offenders may be prosecuted to the fullest extent of the law.





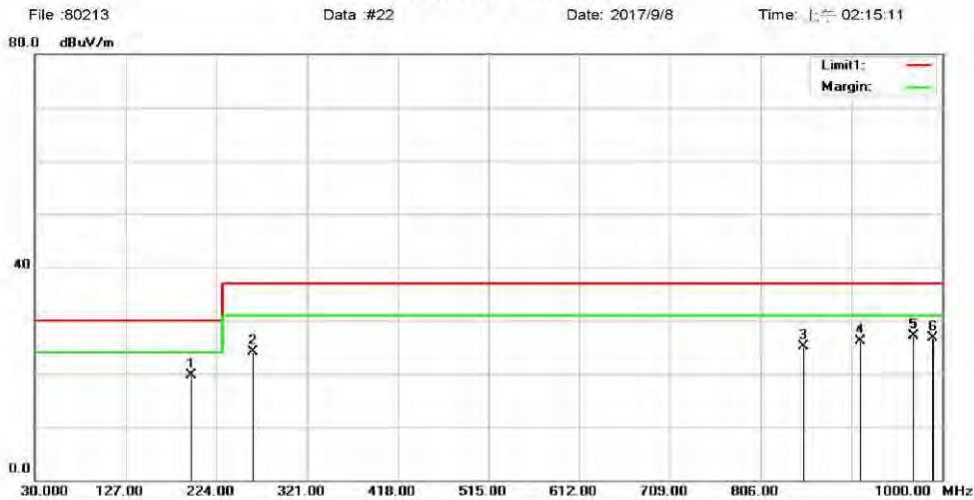
2.5.4 Measurement Data

Below 1GHz

Config\_1\_H

|                                      |                                 |                    |
|--------------------------------------|---------------------------------|--------------------|
| Site: SGS 10m Chamber                | Polarization: <b>Horizontal</b> | Temperature: 25 °C |
| Limit: CISPR22 Class B 10M Radiation | Power: AC 120V/60Hz             | Humidity: 65 %     |
| Mode: Config_1                       | Distance:                       |                    |
| Note: LTE B1 Link                    |                                 |                    |

Radiated Emission



| No. | Mk. | Freq.<br>MHz | Reading<br>Level<br>dBuV | Correct<br>Factor<br>dB/m | Measure-<br>ment<br>dBuV/m | Limit<br>dBuV/m | Over<br>dB | Detector | Comment |
|-----|-----|--------------|--------------------------|---------------------------|----------------------------|-----------------|------------|----------|---------|
| 1   |     | 196.5600     | 34.46                    | -14.76                    | 19.70                      | 30.00           | -10.30     | QP       |         |
| 2   |     | 262.1300     | 36.25                    | -12.15                    | 24.10                      | 37.00           | -12.90     | QP       |         |
| 3   |     | 851.2500     | 25.08                    | 0.12                      | 25.20                      | 37.00           | -11.80     | QP       |         |
| 4   |     | 912.6000     | 25.03                    | 1.07                      | 26.10                      | 37.00           | -10.90     | QP       |         |
| 5 * |     | 968.1900     | 25.24                    | 1.86                      | 27.10                      | 37.00           | -9.90      | QP       |         |
| 6   |     | 989.5300     | 24.98                    | 1.82                      | 26.80                      | 37.00           | -10.20     | QP       |         |

\*:Maximum data x:Over limit !:over margin

File :80213\Data :#22

Page: 1

Unless otherwise stated the results shown in this test report refer only to the sample(s) tested and such sample(s) are retained for 90 days only.  
 除非另有說明，此報告結果僅對測試之樣品負責，同時此樣品僅保留90天。本報告未經本公司書面許可，不可部份複製。

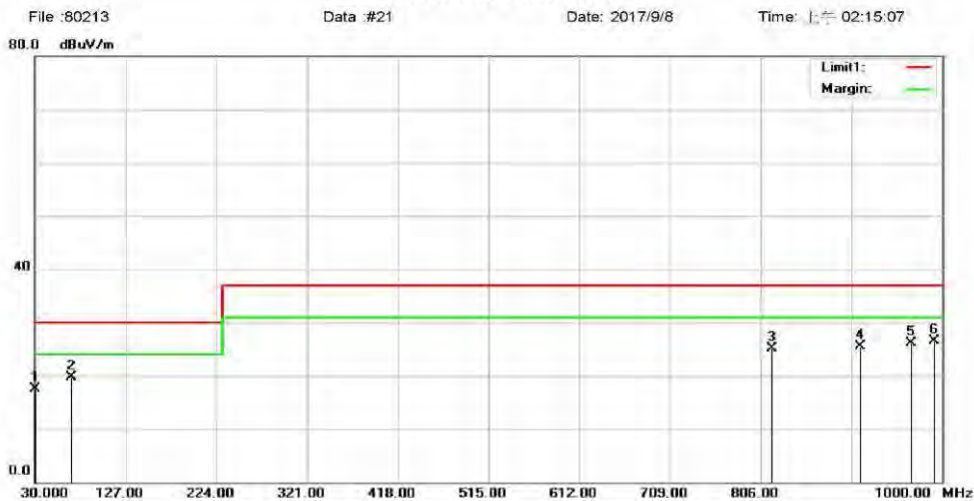
This document is issued by the Company subject to its General Conditions of Service printed overleaf, available on request or accessible at [www.sgs.com/terms\\_and\\_conditions.htm](http://www.sgs.com/terms_and_conditions.htm) and for electronic format documents, subject to Terms and Conditions for Electronic Documents at [www.sgs.com/terms\\_e-document.htm](http://www.sgs.com/terms_e-document.htm). Attention is drawn to the limitation of liability, indemnification and jurisdiction issues defined therein. Any holder of this document is advised that information contained hereon reflects the Company's findings at the time of its intervention only and within the limits of Client's instructions, if any. The Company's sole responsibility is to its Client and this document does not exonerate parties to a transaction from exercising all their rights and obligations under the transaction documents. This document cannot be reproduced except in full, without prior written approval of the Company. Any unauthorized alteration, forgery or falsification of the content or appearance of this document is unlawful and offenders may be prosecuted to the fullest extent of the law.



### Config\_1\_V

|                                      |                               |                    |
|--------------------------------------|-------------------------------|--------------------|
| Site: SGS 10m Chamber                | Polarization: <b>Vertical</b> | Temperature: 25 °C |
| Limit: CISPR22 Class B 10M Radiation | Power: AC 120V/60Hz           | Humidity: 65 %     |
| Mode: Config_1                       | Distance:                     |                    |
| Note: LTE B1 Link                    |                               |                    |

### Radiated Emission



| No. | Mk. | Freq.    | Reading Level | Correct Factor | Measurement | Limit  | Over   | Detector | Comment |
|-----|-----|----------|---------------|----------------|-------------|--------|--------|----------|---------|
|     |     | MHz      | dBuV          | dB/m           | dBuV/m      | dBuV/m | dB     |          |         |
| 1   |     | 30.5800  | 30.30         | -12.70         | 17.60       | 30.00  | -12.40 | QP       |         |
| 2 * |     | 68.0100  | 32.94         | -13.24         | 19.70       | 30.00  | -10.30 | QP       |         |
| 3   |     | 817.8800 | 25.36         | -0.26          | 25.10       | 37.00  | -11.90 | QP       |         |
| 4   |     | 912.4000 | 24.42         | 1.08           | 25.50       | 37.00  | -11.50 | QP       |         |
| 5   |     | 966.2700 | 24.60         | 1.50           | 26.10       | 37.00  | -10.90 | QP       |         |
| 6   |     | 991.1100 | 24.71         | 1.79           | 26.50       | 37.00  | -10.50 | QP       |         |

\*:Maximum data    x:Over limit    !:over margin

File :80213\Data :#21

Page: 1

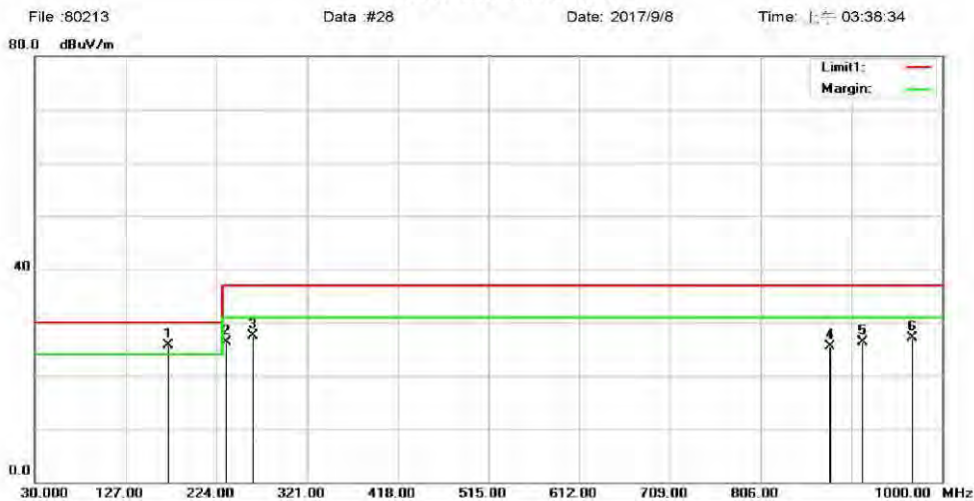
Unless otherwise stated the results shown in this test report refer only to the sample(s) tested and such sample(s) are retained for 90 days only.  
 除非另有說明，此報告結果僅對測試之樣品負責，同時此樣品僅保留90天。本報告未經本公司書面許可，不可部份複製。

This document is issued by the Company subject to its General Conditions of Service printed overleaf, available on request or accessible at [www.sgs.com/terms\\_and\\_conditions.htm](http://www.sgs.com/terms_and_conditions.htm) and for electronic format documents, subject to Terms and Conditions for Electronic Documents at [www.sgs.com/terms\\_e-document.htm](http://www.sgs.com/terms_e-document.htm). Attention is drawn to the limitation of liability, indemnification and jurisdiction issues defined therein. Any holder of this document is advised that information contained hereon reflects the Company's findings at the time of its intervention only and within the limits of Client's instructions, if any. The Company's sole responsibility is to its Client and this document does not exonerate parties to a transaction from exercising all their rights and obligations under the transaction documents. This document cannot be reproduced except in full, without prior written approval of the Company. Any unauthorized alteration, forgery or falsification of the content or appearance of this document is unlawful and offenders may be prosecuted to the fullest extent of the law.

### Config\_2\_H

|  |                                 |                    |
|--|---------------------------------|--------------------|
| Site: SGS 10m Chamber                  | Polarization: <b>Horizontal</b> | Temperature: 25 °C |
| Limit: CISPR22 Class B 10M Radiation   | Power: From System              | Humidity: 65 %     |
| Mode: Config_2                         | Distance:                       |                    |
| Note: Data Link Internal storage Write |                                 |                    |

#### Radiated Emission



| No. | Mk. | Freq.<br>MHz | Reading<br>Level<br>dBuV | Correct<br>Factor<br>dB/m | Measure-<br>ment<br>dBuV/m | Limit<br>dBuV/m | Over<br>dB | Detector | Comment |
|-----|-----|--------------|--------------------------|---------------------------|----------------------------|-----------------|------------|----------|---------|
| 1   | *   | 171.8800     | 37.87                    | -12.07                    | 25.80                      | 30.00           | -4.20      | QP       |         |
| 2   |     | 234.5500     | 40.30                    | -14.00                    | 26.30                      | 37.00           | -10.70     | QP       |         |
| 3   |     | 262.0900     | 39.75                    | -12.15                    | 27.60                      | 37.00           | -9.40      | QP       |         |
| 4   |     | 879.8800     | 25.08                    | 0.52                      | 25.60                      | 37.00           | -11.40     | QP       |         |
| 5   |     | 914.9400     | 25.17                    | 1.13                      | 26.30                      | 37.00           | -10.70     | QP       |         |
| 6   |     | 967.3200     | 25.24                    | 1.86                      | 27.10                      | 37.00           | -9.90      | QP       |         |

\*:Maximum data    x:Over limit    !:over margin

File :80213\Data :#28

Page: 1

Unless otherwise stated the results shown in this test report refer only to the sample(s) tested and such sample(s) are retained for 90 days only.  
 除非另有說明，此報告結果僅對測試之樣品負責，同時此樣品僅保留90天。本報告未經本公司書面許可，不可部份複製。

This document is issued by the Company subject to its General Conditions of Service printed overleaf, available on request or accessible at [www.sgs.com/terms\\_and\\_conditions.htm](http://www.sgs.com/terms_and_conditions.htm) and for electronic format documents, subject to Terms and Conditions for Electronic Documents at [www.sgs.com/terms\\_e-document.htm](http://www.sgs.com/terms_e-document.htm). Attention is drawn to the limitation of liability, indemnification and jurisdiction issues defined therein. Any holder of this document is advised that information contained hereon reflects the Company's findings at the time of its intervention only and within the limits of Client's instructions, if any. The Company's sole responsibility is to its Client and this document does not exonerate parties to a transaction from exercising all their rights and obligations under the transaction documents. This document cannot be reproduced except in full, without prior written approval of the Company. Any unauthorized alteration, forgery or falsification of the content or appearance of this document is unlawful and offenders may be prosecuted to the fullest extent of the law.

### Config\_2\_V

Site: SGS 10m Chamber  
 Limit: CISPR22 Class B 10M Radiation  
 Mode: Config\_2  
 Note: Data Link Internal storage Write

Polarization: **Vertical**  
 Power: From System  
 Distance:

Temperature: 25 °C  
 Humidity: 65 %

### Radiated Emission



| No. | Mk. | Freq. MHz | Reading Level dBuV | Correct Factor dB/m | Measurement dBuV/m | Limit dBuV/m | Over dB | Detector | Comment |
|-----|-----|-----------|--------------------|---------------------|--------------------|--------------|---------|----------|---------|
| 1   |     | 65.7100   | 29.52              | -12.82              | 16.70              | 30.00        | -13.30  | QP       |         |
| 2   | *   | 171.4600  | 35.42              | -12.12              | 23.30              | 30.00        | -6.70   | QP       |         |
| 3   |     | 774.2100  | 24.55              | -0.45               | 24.10              | 37.00        | -12.90  | QP       |         |
| 4   |     | 848.3800  | 24.51              | -0.01               | 24.50              | 37.00        | -12.50  | QP       |         |
| 5   |     | 921.3100  | 24.37              | 1.13                | 25.50              | 37.00        | -11.50  | QP       |         |
| 6   |     | 991.6500  | 24.80              | 1.80                | 26.60              | 37.00        | -10.40  | QP       |         |

\*:Maximum data    x:Over limit    !:over margin

File :80213\Data :#27

Page: 1

Unless otherwise stated the results shown in this test report refer only to the sample(s) tested and such sample(s) are retained for 90 days only.

除非另有說明，此報告結果僅對測試之樣品負責，同時此樣品僅保留90天。本報告未經本公司書面許可，不可部份複製。

This document is issued by the Company subject to its General Conditions of Service printed overleaf, available on request or accessible at [www.sgs.com/terms\\_and\\_conditions.htm](http://www.sgs.com/terms_and_conditions.htm) and for electronic format documents, subject to Terms and Conditions for Electronic Documents at [www.sgs.com/terms\\_e-document.htm](http://www.sgs.com/terms_e-document.htm). Attention is drawn to the limitation of liability, indemnification and jurisdiction issues defined therein. Any holder of this document is advised that information contained hereon reflects the Company's findings at the time of its intervention only and within the limits of Client's instructions, if any. The Company's sole responsibility is to its Client and this document does not exonerate parties to a transaction from exercising all their rights and obligations under the transaction documents. This document cannot be reproduced except in full, without prior written approval of the Company. Any unauthorized alteration, forgery or falsification of the content or appearance of this document is unlawful and offenders may be prosecuted to the fullest extent of the law.

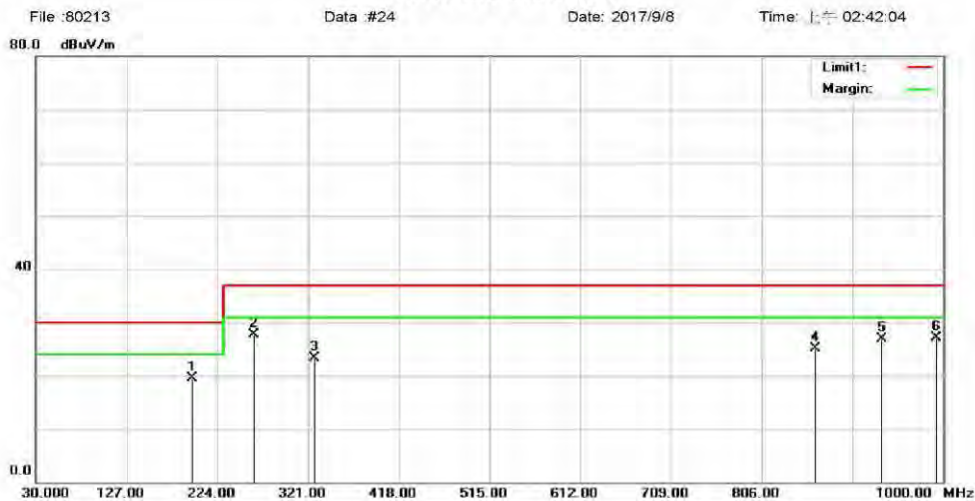
## Config\_3\_H

Site: SGS 10m Chamber  
 Limit: CISPR22 Class B 10M Radiation  
 Mode: Config\_3  
 Note: Audio MP3

Polarization: *Horizontal*  
 Power: AC 120V/60Hz  
 Distance:

Temperature: 25 °C  
 Humidity: 65 %

### Radiated Emission



| No. | Mk. | Freq.    | Reading Level | Correct Factor | Measurement | Limit  | Over   | Detector | Comment |
|-----|-----|----------|---------------|----------------|-------------|--------|--------|----------|---------|
|     |     | MHz      | dBuV          | dB/m           | dBuV/m      | dBuV/m | dB     |          |         |
| 1   |     | 196.5900 | 34.26         | -14.76         | 19.50       | 30.00  | -10.50 | QP       |         |
| 2   | *   | 262.0700 | 39.86         | -12.16         | 27.70       | 37.00  | -9.30  | QP       |         |
| 3   |     | 327.5700 | 33.48         | -10.08         | 23.40       | 37.00  | -13.60 | QP       |         |
| 4   |     | 863.0700 | 24.82         | 0.28           | 25.10       | 37.00  | -11.90 | QP       |         |
| 5   |     | 933.2300 | 25.37         | 1.53           | 26.90       | 37.00  | -10.10 | QP       |         |
| 6   |     | 992.9500 | 25.28         | 1.82           | 27.10       | 37.00  | -9.90  | QP       |         |

\*:Maximum data    x:Over limit    !:over margin

File :80213\Data :#24

Page: 1

Unless otherwise stated the results shown in this test report refer only to the sample(s) tested and such sample(s) are retained for 90 days only.

除非另有說明，此報告結果僅對測試之樣品負責，同時此樣品僅保留90天。本報告未經本公司書面許可，不可部份複製。

This document is issued by the Company subject to its General Conditions of Service printed overleaf, available on request or accessible at [www.sgs.com/terms\\_and\\_conditions.htm](http://www.sgs.com/terms_and_conditions.htm) and for electronic format documents, subject to Terms and Conditions for Electronic Documents at [www.sgs.com/terms\\_e-document.htm](http://www.sgs.com/terms_e-document.htm). Attention is drawn to the limitation of liability, indemnification and jurisdiction issues defined therein. Any holder of this document is advised that information contained hereon reflects the Company's findings at the time of its intervention only and within the limits of Client's instructions, if any. The Company's sole responsibility is to its Client and this document does not exonerate parties to a transaction from exercising all their rights and obligations under the transaction documents. This document cannot be reproduced except in full, without prior written approval of the Company. Any unauthorized alteration, forgery or falsification of the content or appearance of this document is unlawful and offenders may be prosecuted to the fullest extent of the law.





### Config\_3\_V

Site: SGS 10m Chamber

Polarization: **Vertical**

Temperature: 25 °C

Limit: CISPR22 Class B 10M Radiation

Power: AC 120V/60Hz

Humidity: 65 %

Mode: Config\_3

Distance:

Note: Audio MP3

### Radiated Emission



| No. | Mk. | Freq.    | Reading Level | Correct Factor | Measurement | Limit  | Over   | Detector | Comment |
|-----|-----|----------|---------------|----------------|-------------|--------|--------|----------|---------|
|     |     | MHz      | dBuV          | dB/m           | dBuV/m      | dBuV/m | dB     |          |         |
| 1   |     | 30.9200  | 30.75         | -12.65         | 18.10       | 30.00  | -11.90 | QP       |         |
| 2   | *   | 65.1200  | 32.22         | -12.72         | 19.50       | 30.00  | -10.50 | QP       |         |
| 3   |     | 196.5600 | 30.76         | -14.36         | 16.40       | 30.00  | -13.60 | QP       |         |
| 4   |     | 894.9800 | 24.30         | 0.90           | 25.20       | 37.00  | -11.80 | QP       |         |
| 5   |     | 929.3500 | 24.42         | 1.18           | 25.60       | 37.00  | -11.40 | QP       |         |
| 6   |     | 991.4500 | 24.70         | 1.80           | 26.50       | 37.00  | -10.50 | QP       |         |

\*:Maximum data    x:Over limit    !:over margin

File :80213\Data :#23

Page: 1

Unless otherwise stated the results shown in this test report refer only to the sample(s) tested and such sample(s) are retained for 90 days only.

除非另有說明，此報告結果僅對測試之樣品負責，同時此樣品僅保留90天。本報告未經本公司書面許可，不可部份複製。

This document is issued by the Company subject to its General Conditions of Service printed overleaf, available on request or accessible at [www.sgs.com/terms\\_and\\_conditions.htm](http://www.sgs.com/terms_and_conditions.htm) and for electronic format documents, subject to Terms and Conditions for Electronic Documents at [www.sgs.com/terms\\_e-document.htm](http://www.sgs.com/terms_e-document.htm). Attention is drawn to the limitation of liability, indemnification and jurisdiction issues defined therein. Any holder of this document is advised that information contained hereon reflects the Company's findings at the time of its intervention only and within the limits of Client's instructions, if any. The Company's sole responsibility is to its Client and this document does not exonerate parties to a transaction from exercising all their rights and obligations under the transaction documents. This document cannot be reproduced except in full, without prior written approval of the Company. Any unauthorized alteration, forgery or falsification of the content or appearance of this document is unlawful and offenders may be prosecuted to the fullest extent of the law.

## Config\_4\_H

Site: SGS 10m Chamber

Polarization: *Horizontal*

Temperature: 25 °C

Limit: CISPR22 Class B 10M Radiation

Power: AC 120V/60Hz

Humidity: 65 %

Mode: Config\_4

Distance:

Note: Cradle Charger + MP3

### Radiated Emission



| No. | Mk. | Freq.    | Reading Level | Correct Factor | Measurement | Limit  | Over   | Detector | Comment |
|-----|-----|----------|---------------|----------------|-------------|--------|--------|----------|---------|
|     |     | MHz      | dBuV          | dB/m           | dBuV/m      | dBuV/m | dB     |          |         |
| 1   |     | 53.1000  | 26.15         | -11.65         | 14.50       | 30.00  | -15.50 | QP       |         |
| 2   |     | 161.0500 | 25.93         | -11.63         | 14.30       | 30.00  | -15.70 | QP       |         |
| 3   |     | 820.4300 | 24.99         | -0.19          | 24.80       | 37.00  | -12.20 | QP       |         |
| 4   |     | 873.1300 | 25.08         | 0.42           | 25.50       | 37.00  | -11.50 | QP       |         |
| 5   |     | 909.5500 | 24.89         | 1.01           | 25.90       | 37.00  | -11.10 | QP       |         |
| 6 * |     | 944.4500 | 25.02         | 1.78           | 26.80       | 37.00  | -10.20 | QP       |         |

\*:Maximum data    x:Over limit    !:over margin

File :80213\Data :#26

Page: 1

Unless otherwise stated the results shown in this test report refer only to the sample(s) tested and such sample(s) are retained for 90 days only.

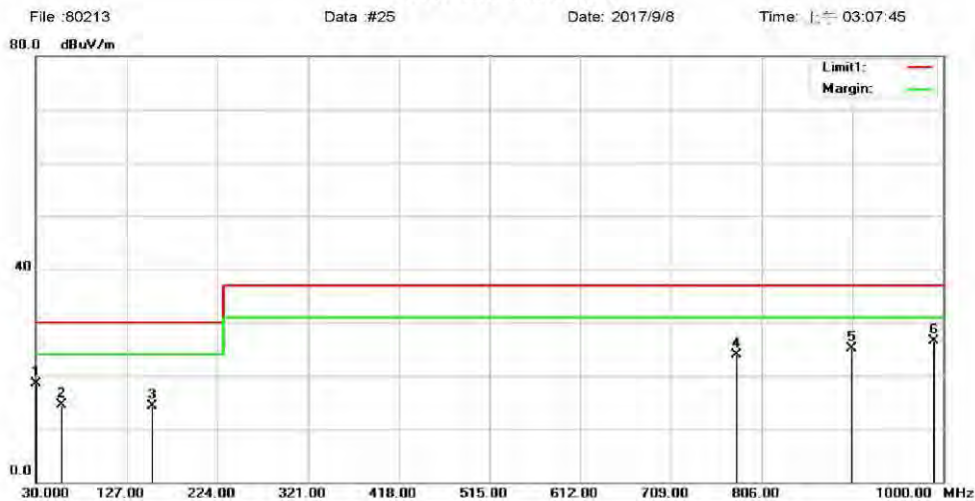
除非另有說明，此報告結果僅對測試之樣品負責，同時此樣品僅保留90天。本報告未經本公司書面許可，不可部份複製。

This document is issued by the Company subject to its General Conditions of Service printed overleaf, available on request or accessible at [www.sgs.com/terms\\_and\\_conditions.htm](http://www.sgs.com/terms_and_conditions.htm) and for electronic format documents, subject to Terms and Conditions for Electronic Documents at [www.sgs.com/terms\\_e-document.htm](http://www.sgs.com/terms_e-document.htm). Attention is drawn to the limitation of liability, indemnification and jurisdiction issues defined therein. Any holder of this document is advised that information contained hereon reflects the Company's findings at the time of its intervention only and within the limits of Client's instructions, if any. The Company's sole responsibility is to its Client and this document does not exonerate parties to a transaction from exercising all their rights and obligations under the transaction documents. This document cannot be reproduced except in full, without prior written approval of the Company. Any unauthorized alteration, forgery or falsification of the content or appearance of this document is unlawful and offenders may be prosecuted to the fullest extent of the law.

### Config\_4\_V

|                                      |                               |                    |
|--------------------------------------|-------------------------------|--------------------|
| Site: SGS 10m Chamber                | Polarization: <b>Vertical</b> | Temperature: 25 °C |
| Limit: CISPR22 Class B 10M Radiation | Power: AC 120V/60Hz           | Humidity: 65 %     |
| Mode: Config_4                       | Distance:                     |                    |
| Note: Cradle Charger + MP3           |                               |                    |

#### Radiated Emission



| No. | Mk. | Freq.    | Reading Level | Correct Factor | Measurement | Limit  | Over   | Detector | Comment |
|-----|-----|----------|---------------|----------------|-------------|--------|--------|----------|---------|
|     |     | MHz      | dBuV          | dB/m           | dBuV/m      | dBuV/m | dB     |          |         |
| 1   |     | 30.3000  | 31.26         | -12.76         | 18.50       | 30.00  | -11.50 | QP       |         |
| 2   |     | 56.9800  | 26.06         | -11.56         | 14.50       | 30.00  | -15.50 | QP       |         |
| 3   |     | 153.4100 | 25.76         | -11.36         | 14.40       | 30.00  | -15.60 | QP       |         |
| 4   |     | 778.6200 | 24.34         | -0.44          | 23.90       | 37.00  | -13.10 | QP       |         |
| 5   |     | 901.3000 | 24.19         | 1.01           | 25.20       | 37.00  | -11.80 | QP       |         |
| 6 * |     | 989.6100 | 24.72         | 1.78           | 26.50       | 37.00  | -10.50 | QP       |         |

\*:Maximum data    x:Over limit    !:over margin

File :80213\Data :#25

Page: 1

Unless otherwise stated the results shown in this test report refer only to the sample(s) tested and such sample(s) are retained for 90 days only.

除非另有說明，此報告結果僅對測試之樣品負責，同時此樣品僅保留90天。本報告未經本公司書面許可，不可部份複製。

This document is issued by the Company subject to its General Conditions of Service printed overleaf, available on request or accessible at [www.sgs.com/terms\\_and\\_conditions.htm](http://www.sgs.com/terms_and_conditions.htm) and for electronic format documents, subject to Terms and Conditions for Electronic Documents at [www.sgs.com/terms\\_e-document.htm](http://www.sgs.com/terms_e-document.htm). Attention is drawn to the limitation of liability, indemnification and jurisdiction issues defined therein. Any holder of this document is advised that information contained hereon reflects the Company's findings at the time of its intervention only and within the limits of Client's instructions, if any. The Company's sole responsibility is to its Client and this document does not exonerate parties to a transaction from exercising all their rights and obligations under the transaction documents. This document cannot be reproduced except in full, without prior written approval of the Company. Any unauthorized alteration, forgery or falsification of the content or appearance of this document is unlawful and offenders may be prosecuted to the fullest extent of the law.



Above 1GHz

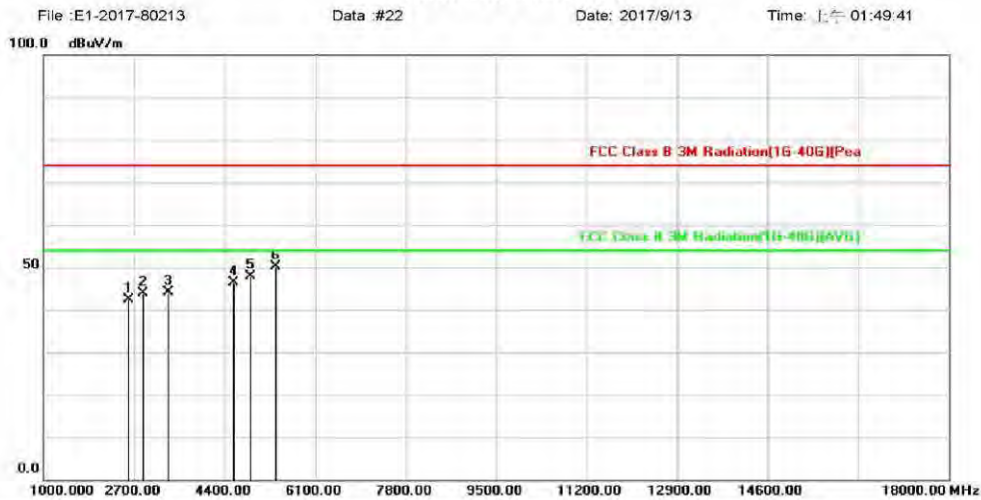
Config\_1\_H

Site: SGS 966 Chamber A  
 Limit: FCC Class B 3M Radiation(1G-40G)(Pea)  
 Mode: Config\_1  
 Note: LTE Band 1

Polarization: *Horizontal*  
 Power: AC 120V/60Hz  
 Distance:

Temperature: 22 °C  
 Humidity: 70 %

Radiated Emission



| No. | Mk. | Freq.    | Reading Level | Correct Factor | Measurement | Limit  | Over   | Detector | Comment |
|-----|-----|----------|---------------|----------------|-------------|--------|--------|----------|---------|
|     |     | MHz      | dBuV          | dB/m           | dBuV/m      | dBuV/m | dB     |          |         |
| 1   |     | 2598.000 | 56.00         | -13.61         | 42.39       | 74.00  | -31.61 | peak     |         |
| 2   |     | 2870.000 | 56.92         | -13.14         | 43.78       | 74.00  | -30.22 | peak     |         |
| 3   |     | 3346.000 | 55.97         | -11.92         | 44.05       | 74.00  | -29.95 | peak     |         |
| 4   |     | 4570.000 | 55.29         | -8.93          | 46.36       | 74.00  | -27.64 | peak     |         |
| 5   |     | 4893.000 | 55.60         | -7.63          | 47.97       | 74.00  | -26.03 | peak     |         |
| 6 * |     | 5369.000 | 56.77         | -6.75          | 50.02       | 74.00  | -23.98 | peak     |         |

\*:Maximum data x:Over limit !:over margin

File :E1-2017-80213\Data :#22

Page: 1

Unless otherwise stated the results shown in this test report refer only to the sample(s) tested and such sample(s) are retained for 90 days only.

除非另有說明，此報告結果僅對測試之樣品負責，同時此樣品僅保留90天。本報告未經本公司書面許可，不可部份複製。

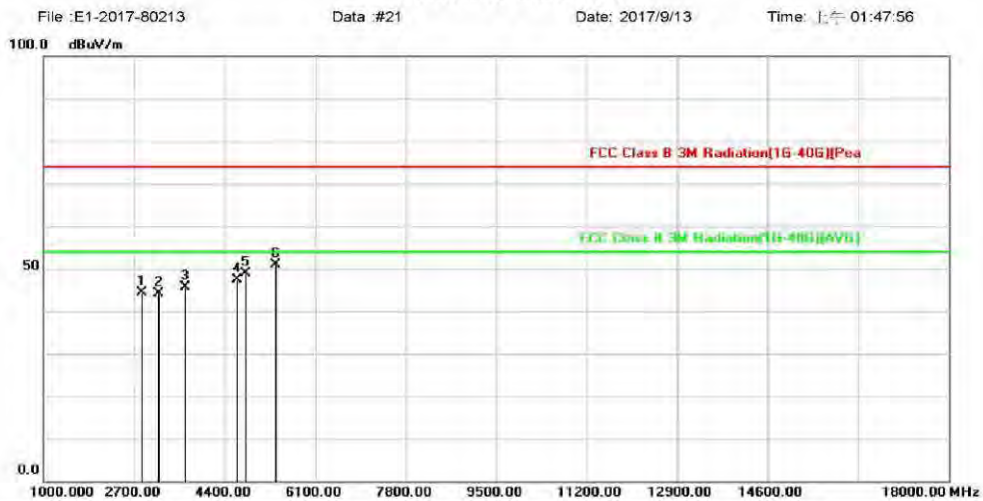
This document is issued by the Company subject to its General Conditions of Service printed overleaf, available on request or accessible at [www.sgs.com/terms\\_and\\_conditions.htm](http://www.sgs.com/terms_and_conditions.htm) and for electronic format documents, subject to Terms and Conditions for Electronic Documents at [www.sgs.com/terms\\_e-document.htm](http://www.sgs.com/terms_e-document.htm). Attention is drawn to the limitation of liability, indemnification and jurisdiction issues defined therein. Any holder of this document is advised that information contained hereon reflects the Company's findings at the time of its intervention only and within the limits of Client's instructions, if any. The Company's sole responsibility is to its Client and this document does not exonerate parties to a transaction from exercising all their rights and obligations under the transaction documents. This document cannot be reproduced except in full, without prior written approval of the Company. Any unauthorized alteration, forgery or falsification of the content or appearance of this document is unlawful and offenders may be prosecuted to the fullest extent of the law.



### Config\_1\_V

|   |                               |                    |
|---|-------------------------------|--------------------|
| Site: SGS 966 Chamber A                     | Polarization: <b>Vertical</b> | Temperature: 22 °C |
| Limit: FCC Class B 3M Radiation(1G-40G)(Pea | Power: AC 120V/60Hz           | Humidity: 70 %     |
| Mode: Config_1                              | Distance:                     |                    |
| Note: LTE Band 1                            |                               |                    |

### Radiated Emission



| No. | Mk. | Freq.    | Reading Level | Correct Factor | Measurement | Limit  | Over   | Detector | Comment |
|-----|-----|----------|---------------|----------------|-------------|--------|--------|----------|---------|
|     |     | MHz      | dBuV          | dB/m           | dBuV/m      | dBuV/m | dB     |          |         |
| 1   |     | 2853.000 | 57.43         | -13.16         | 44.27       | 74.00  | -29.73 | peak     |         |
| 2   |     | 3159.000 | 56.52         | -12.46         | 44.06       | 74.00  | -29.94 | peak     |         |
| 3   |     | 3669.000 | 56.39         | -10.78         | 45.61       | 74.00  | -28.39 | peak     |         |
| 4   |     | 4638.000 | 56.13         | -8.65          | 47.48       | 74.00  | -26.52 | peak     |         |
| 5   |     | 4791.000 | 56.80         | -8.03          | 48.77       | 74.00  | -25.23 | peak     |         |
| 6 * |     | 5369.000 | 57.61         | -6.75          | 50.86       | 74.00  | -23.14 | peak     |         |

\*:Maximum data    x:Over limit    !:over margin

File :E1-2017-80213>Data :#21

Page: 1

Unless otherwise stated the results shown in this test report refer only to the sample(s) tested and such sample(s) are retained for 90 days only.

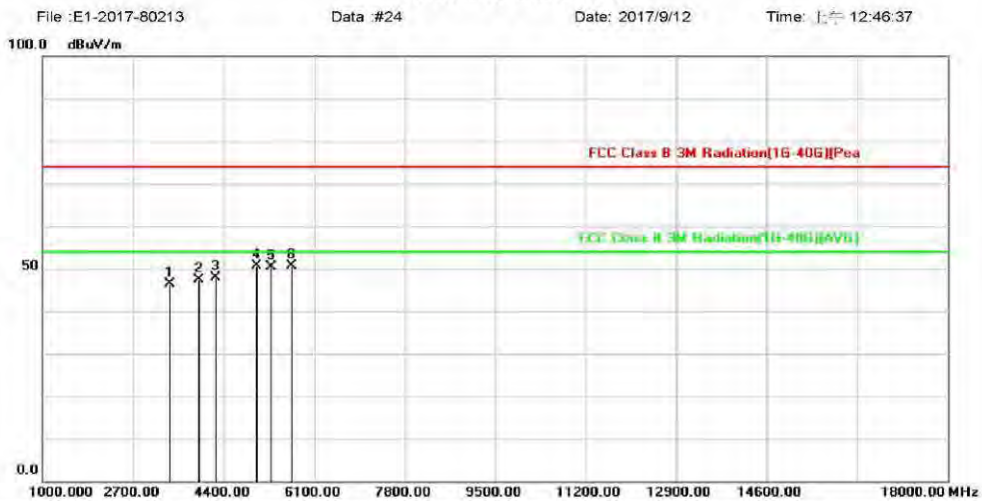
除非另有說明，此報告結果僅對測試之樣品負責，同時此樣品僅保留90天。本報告未經本公司書面許可，不可部份複製。

This document is issued by the Company subject to its General Conditions of Service printed overleaf, available on request or accessible at [www.sgs.com/terms\\_and\\_conditions.htm](http://www.sgs.com/terms_and_conditions.htm) and for electronic format documents, subject to Terms and Conditions for Electronic Documents at [www.sgs.com/terms\\_e-document.htm](http://www.sgs.com/terms_e-document.htm). Attention is drawn to the limitation of liability, indemnification and jurisdiction issues defined therein. Any holder of this document is advised that information contained hereon reflects the Company's findings at the time of its intervention only and within the limits of Client's instructions, if any. The Company's sole responsibility is to its Client and this document does not exonerate parties to a transaction from exercising all their rights and obligations under the transaction documents. This document cannot be reproduced except in full, without prior written approval of the Company. Any unauthorized alteration, forgery or falsification of the content or appearance of this document is unlawful and offenders may be prosecuted to the fullest extent of the law.

### Config\_2\_H

Site: SGS 966 Chamber A      Polarization: *Horizontal*      Temperature: 22 °C  
 Limit: FCC Class B 3M Radiation(1G-40G)(Pea)      Power: From System      Humidity: 70 %  
 Mode: Config\_2      Distance:  
 Note: Data Link Internal Storage Write

#### Radiated Emission



| No. | Mk. | Freq.    | Reading Level | Correct Factor | Measurement | Limit  | Over   | Detector | Comment |
|-----|-----|----------|---------------|----------------|-------------|--------|--------|----------|---------|
|     |     | MHz      | dBuV          | dB/m           | dBuV/m      | dBuV/m | dB     |          |         |
| 1   |     | 3380.000 | 58.22         | -11.84         | 46.38       | 74.00  | -27.62 | peak     |         |
| 2   |     | 3941.000 | 57.14         | -9.65          | 47.49       | 74.00  | -26.51 | peak     |         |
| 3   |     | 4247.000 | 57.21         | -9.30          | 47.91       | 74.00  | -26.09 | peak     |         |
| 4   |     | 5012.000 | 57.71         | -7.19          | 50.52       | 74.00  | -23.48 | peak     |         |
| 5   |     | 5284.000 | 57.14         | -6.85          | 50.29       | 74.00  | -23.71 | peak     |         |
| 6 * |     | 5675.000 | 56.81         | -6.21          | 50.60       | 74.00  | -23.40 | peak     |         |

\*:Maximum data    x:Over limit    !:over margin

File :E1-2017-80213\Data :#24

Page: 1

Unless otherwise stated the results shown in this test report refer only to the sample(s) tested and such sample(s) are retained for 90 days only.

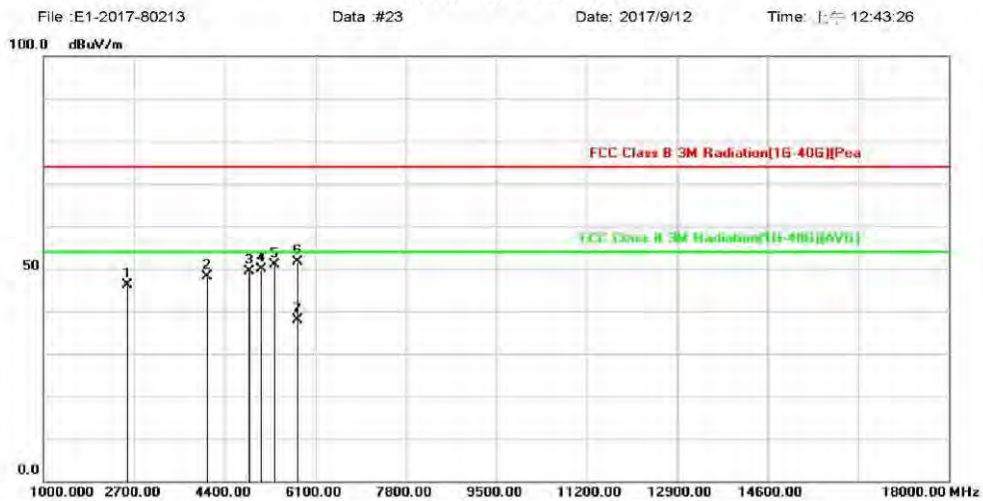
除非另有說明，此報告結果僅對測試之樣品負責，同時此樣品僅保留90天。本報告未經本公司書面許可，不可部份複製。

This document is issued by the Company subject to its General Conditions of Service printed overleaf, available on request or accessible at [www.sgs.com/terms\\_and\\_conditions.htm](http://www.sgs.com/terms_and_conditions.htm) and for electronic format documents, subject to Terms and Conditions for Electronic Documents at [www.sgs.com/terms\\_e-document.htm](http://www.sgs.com/terms_e-document.htm). Attention is drawn to the limitation of liability, indemnification and jurisdiction issues defined therein. Any holder of this document is advised that information contained hereon reflects the Company's findings at the time of its intervention only and within the limits of Client's instructions, if any. The Company's sole responsibility is to its Client and this document does not exonerate parties to a transaction from exercising all their rights and obligations under the transaction documents. This document cannot be reproduced except in full, without prior written approval of the Company. Any unauthorized alteration, forgery or falsification of the content or appearance of this document is unlawful and offenders may be prosecuted to the fullest extent of the law.

### Config\_2\_V

|   |                               |                    |
|---|-------------------------------|--------------------|
| Site: SGS 966 Chamber A                     | Polarization: <b>Vertical</b> | Temperature: 22 °C |
| Limit: FCC Class B 3M Radiation(1G-40G)(Pea | Power: From System            | Humidity: 70 %     |
| Mode: Config_2                              | Distance:                     |                    |
| Note: Data Link Internal Storage Write      |                               |                    |

#### Radiated Emission



| No. | Mk. | Freq.    | Reading Level | Correct Factor | Measurement | Limit  | Over   | Detector | Comment |
|-----|-----|----------|---------------|----------------|-------------|--------|--------|----------|---------|
|     |     | MHz      | dBuV          | dB/m           | dBuV/m      | dBuV/m | dB     |          |         |
| 1   |     | 2581.000 | 59.67         | -13.65         | 46.02       | 74.00  | -27.98 | peak     |         |
| 2   |     | 4060.000 | 57.45         | -9.38          | 48.07       | 74.00  | -25.93 | peak     |         |
| 3   |     | 4859.000 | 57.25         | -7.77          | 49.48       | 74.00  | -24.52 | peak     |         |
| 4   |     | 5097.000 | 57.08         | -7.08          | 50.00       | 74.00  | -24.00 | peak     |         |
| 5   |     | 5335.000 | 57.56         | -6.79          | 50.77       | 74.00  | -23.23 | peak     |         |
| 6   |     | 5760.000 | 57.65         | -6.03          | 51.62       | 74.00  | -22.38 | peak     |         |
| 7 * |     | 5760.000 | 44.02         | -6.03          | 37.99       | 54.00  | -16.01 | AVG      |         |

\*:Maximum data    x:Over limit    !:over margin

File :E1-2017-80213\Data :#23

Page: 1

Unless otherwise stated the results shown in this test report refer only to the sample(s) tested and such sample(s) are retained for 90 days only.

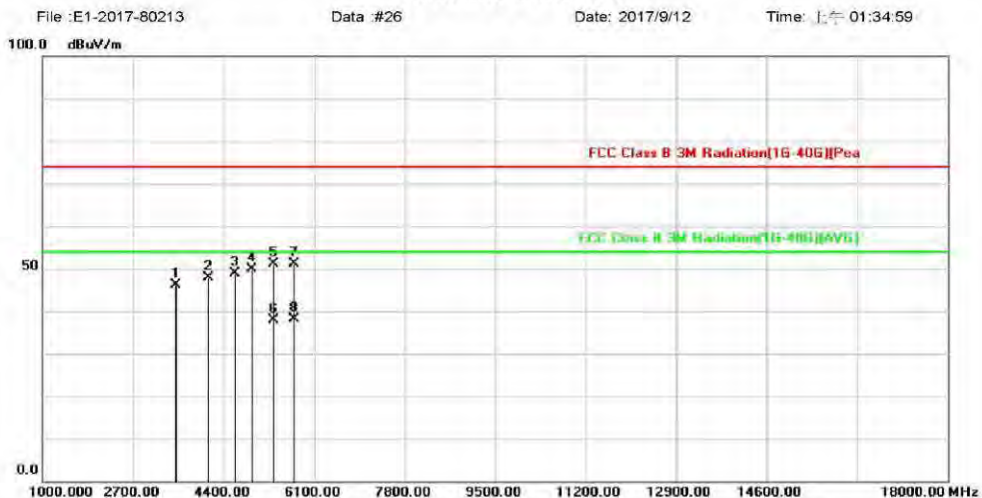
除非另有說明，此報告結果僅對測試之樣品負責，同時此樣品僅保留90天。本報告未經本公司書面許可，不可部份複製。

This document is issued by the Company subject to its General Conditions of Service printed overleaf, available on request or accessible at [www.sgs.com/terms\\_and\\_conditions.htm](http://www.sgs.com/terms_and_conditions.htm) and for electronic format documents, subject to Terms and Conditions for Electronic Documents at [www.sgs.com/terms\\_e-document.htm](http://www.sgs.com/terms_e-document.htm). Attention is drawn to the limitation of liability, indemnification and jurisdiction issues defined therein. Any holder of this document is advised that information contained hereon reflects the Company's findings at the time of its intervention only and within the limits of Client's instructions, if any. The Company's sole responsibility is to its Client and this document does not exonerate parties to a transaction from exercising all their rights and obligations under the transaction documents. This document cannot be reproduced except in full, without prior written approval of the Company. Any unauthorized alteration, forgery or falsification of the content or appearance of this document is unlawful and offenders may be prosecuted to the fullest extent of the law.

### Config\_3\_H

Site: SGS 966 Chamber A      Polarization: **Horizontal**      Temperature: 22 °C  
 Limit: FCC Class B 3M Radiation(1G-40G)(Pea      Power: AC 120V/60Hz      Humidity: 70 %  
 Mode: Config\_3      Distance:  
 Note: MP3

#### Radiated Emission



| No. | Mk. | Freq.    | Reading Level | Correct Factor | Measurement | Limit  | Over   | Detector | Comment |
|-----|-----|----------|---------------|----------------|-------------|--------|--------|----------|---------|
|     |     | MHz      | dBuV          | dB/m           | dBuV/m      | dBuV/m | dB     |          |         |
| 1   |     | 3499.000 | 57.63         | -11.50         | 46.13       | 74.00  | -27.87 | peak     |         |
| 2   |     | 4111.000 | 57.26         | -9.36          | 47.90       | 74.00  | -26.10 | peak     |         |
| 3   |     | 4621.000 | 57.62         | -8.72          | 48.90       | 74.00  | -25.10 | peak     |         |
| 4   |     | 4927.000 | 57.46         | -7.48          | 49.98       | 74.00  | -24.02 | peak     |         |
| 5   |     | 5335.000 | 57.96         | -6.79          | 51.17       | 74.00  | -22.83 | peak     |         |
| 6   |     | 5335.000 | 44.56         | -6.79          | 37.77       | 54.00  | -16.23 | AVG      |         |
| 7   |     | 5726.000 | 57.26         | -6.10          | 51.16       | 74.00  | -22.84 | peak     |         |
| 8 * |     | 5726.000 | 44.11         | -6.10          | 38.01       | 54.00  | -15.99 | AVG      |         |

\*:Maximum data    x:Over limit    !:over margin

File :E1-2017-80213>Data :#26

Page: 1

Unless otherwise stated the results shown in this test report refer only to the sample(s) tested and such sample(s) are retained for 90 days only.

除非另有說明，此報告結果僅對測試之樣品負責，同時此樣品僅保留90天。本報告未經本公司書面許可，不可部份複製。

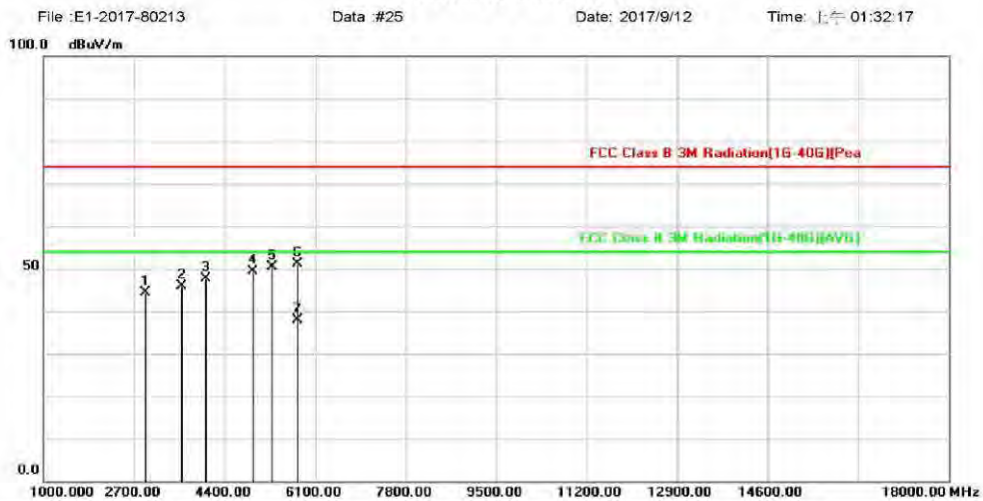
This document is issued by the Company subject to its General Conditions of Service printed overleaf, available on request or accessible at [www.sgs.com/terms\\_and\\_conditions.htm](http://www.sgs.com/terms_and_conditions.htm) and for electronic format documents, subject to Terms and Conditions for Electronic Documents at [www.sgs.com/terms\\_e-document.htm](http://www.sgs.com/terms_e-document.htm). Attention is drawn to the limitation of liability, indemnification and jurisdiction issues defined therein. Any holder of this document is advised that information contained hereon reflects the Company's findings at the time of its intervention only and within the limits of Client's instructions, if any. The Company's sole responsibility is to its Client and this document does not exonerate parties to a transaction from exercising all their rights and obligations under the transaction documents. This document cannot be reproduced except in full, without prior written approval of the Company. Any unauthorized alteration, forgery or falsification of the content or appearance of this document is unlawful and offenders may be prosecuted to the fullest extent of the law.



### Config\_3\_V

Site: SGS 966 Chamber A      Polarization: **Vertical**      Temperature: 22 °C  
 Limit: FCC Class B 3M Radiation(1G-40G)(Pea)      Power: AC 120V/60Hz      Humidity: 70 %  
 Mode: Config\_3      Distance:  
 Note: MP3

#### Radiated Emission



| No. | Mk. | Freq.    | Reading Level | Correct Factor | Measurement | Limit  | Over   | Detector | Comment |
|-----|-----|----------|---------------|----------------|-------------|--------|--------|----------|---------|
|     |     | MHz      | dBuV          | dB/m           | dBuV/m      | dBuV/m | dB     |          |         |
| 1   |     | 2904.000 | 57.52         | -13.07         | 44.45       | 74.00  | -29.55 | peak     |         |
| 2   |     | 3601.000 | 57.03         | -11.08         | 45.95       | 74.00  | -28.05 | peak     |         |
| 3   |     | 4043.000 | 57.01         | -9.38          | 47.63       | 74.00  | -26.37 | peak     |         |
| 4   |     | 4927.000 | 56.91         | -7.48          | 49.43       | 74.00  | -24.57 | peak     |         |
| 5   |     | 5301.000 | 57.20         | -6.84          | 50.36       | 74.00  | -23.64 | peak     |         |
| 6   |     | 5777.000 | 57.06         | -5.99          | 51.07       | 74.00  | -22.93 | peak     |         |
| 7 * |     | 5777.000 | 43.96         | -5.99          | 37.97       | 54.00  | -16.03 | AVG      |         |

\*:Maximum data    x:Over limit    !:over margin

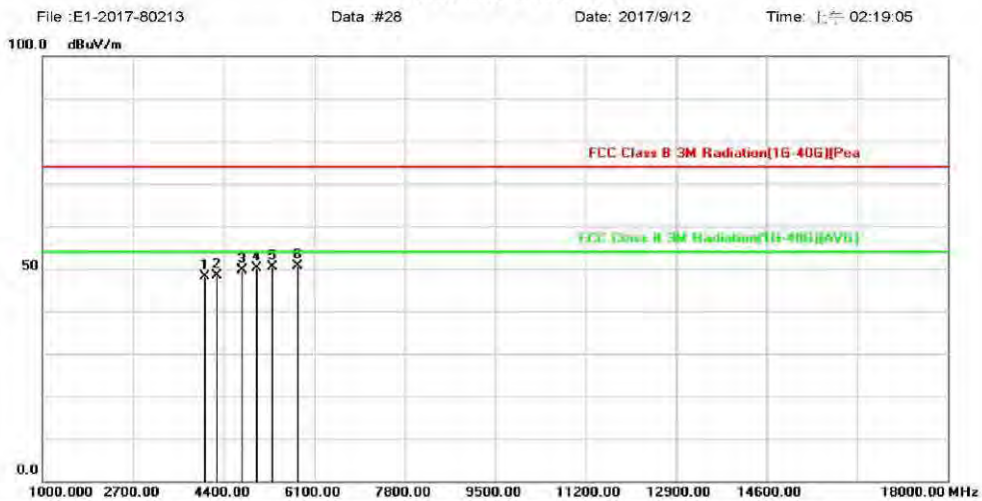
Unless otherwise stated the results shown in this test report refer only to the sample(s) tested and such sample(s) are retained for 90 days only.  
 除非另有說明，此報告結果僅對測試之樣品負責，同時此樣品僅保留90天。本報告未經本公司書面許可，不可部份複製。

This document is issued by the Company subject to its General Conditions of Service printed overleaf, available on request or accessible at [www.sgs.com/terms\\_and\\_conditions.htm](http://www.sgs.com/terms_and_conditions.htm) and for electronic format documents, subject to Terms and Conditions for Electronic Documents at [www.sgs.com/terms\\_e-document.htm](http://www.sgs.com/terms_e-document.htm). Attention is drawn to the limitation of liability, indemnification and jurisdiction issues defined therein. Any holder of this document is advised that information contained hereon reflects the Company's findings at the time of its intervention only and within the limits of Client's instructions, if any. The Company's sole responsibility is to its Client and this document does not exonerate parties to a transaction from exercising all their rights and obligations under the transaction documents. This document cannot be reproduced except in full, without prior written approval of the Company. Any unauthorized alteration, forgery or falsification of the content or appearance of this document is unlawful and offenders may be prosecuted to the fullest extent of the law.

### Config\_4\_H

Site: SGS 966 Chamber A      Polarization: *Horizontal*      Temperature: 22 °C  
 Limit: FCC Class B 3M Radiation(1G-40G)(Pea      Power: AC 120V/60Hz      Humidity: 70 %  
 Mode: Config\_4      Distance:  
 Note: Cradle Charger + MP3

#### Radiated Emission



| No. | Mk. | Freq.    | Reading Level | Correct Factor | Measurement | Limit  | Over   | Detector | Comment |
|-----|-----|----------|---------------|----------------|-------------|--------|--------|----------|---------|
|     |     | MHz      | dBuV          | dB/m           | dBuV/m      | dBuV/m | dB     |          |         |
| 1   |     | 4043.000 | 57.55         | -9.38          | 48.17       | 74.00  | -25.83 | peak     |         |
| 2   |     | 4281.000 | 57.66         | -9.28          | 48.38       | 74.00  | -25.62 | peak     |         |
| 3   |     | 4757.000 | 57.76         | -8.17          | 49.59       | 74.00  | -24.41 | peak     |         |
| 4   |     | 5012.000 | 57.41         | -7.19          | 50.22       | 74.00  | -23.78 | peak     |         |
| 5   |     | 5318.000 | 57.10         | -6.83          | 50.27       | 74.00  | -23.73 | peak     |         |
| 6 * |     | 5794.000 | 56.59         | -5.95          | 50.64       | 74.00  | -23.36 | peak     |         |

\*:Maximum data    x:Over limit    !:over margin

File :E1-2017-80213\Data :#28

Page: 1

Unless otherwise stated the results shown in this test report refer only to the sample(s) tested and such sample(s) are retained for 90 days only.

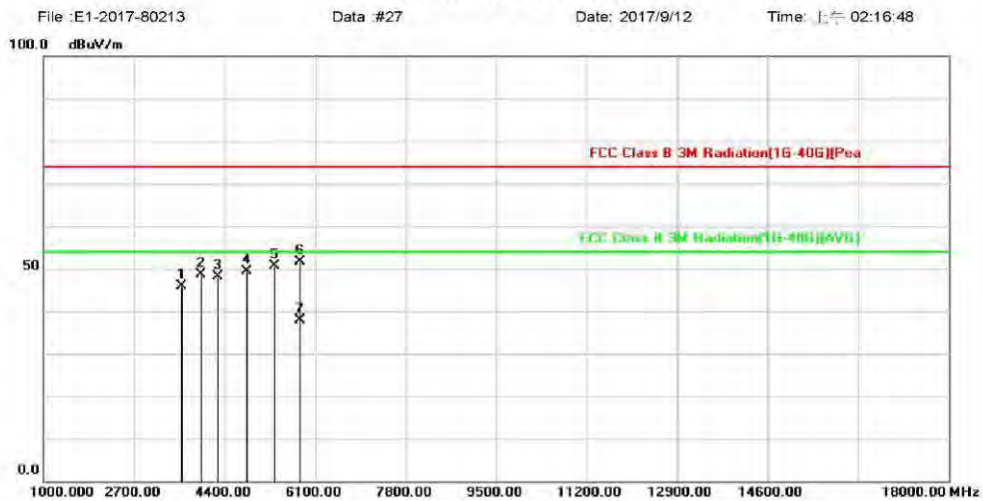
除非另有說明，此報告結果僅對測試之樣品負責，同時此樣品僅保留90天。本報告未經本公司書面許可，不可部份複製。

This document is issued by the Company subject to its General Conditions of Service printed overleaf, available on request or accessible at [www.sgs.com/terms\\_and\\_conditions.htm](http://www.sgs.com/terms_and_conditions.htm) and for electronic format documents, subject to Terms and Conditions for Electronic Documents at [www.sgs.com/terms\\_e-document.htm](http://www.sgs.com/terms_e-document.htm). Attention is drawn to the limitation of liability, indemnification and jurisdiction issues defined therein. Any holder of this document is advised that information contained hereon reflects the Company's findings at the time of its intervention only and within the limits of Client's instructions, if any. The Company's sole responsibility is to its Client and this document does not exonerate parties to a transaction from exercising all their rights and obligations under the transaction documents. This document cannot be reproduced except in full, without prior written approval of the Company. Any unauthorized alteration, forgery or falsification of the content or appearance of this document is unlawful and offenders may be prosecuted to the fullest extent of the law.

### Config\_4\_V

|  |                               |                    |
|--|-------------------------------|--------------------|
| Site: SGS 966 Chamber A                      | Polarization: <b>Vertical</b> | Temperature: 22 °C |
| Limit: FCC Class B 3M Radiation(1G-40G)(Pea) | Power: AC 120V/60Hz           | Humidity: 70 %     |
| Mode: Config_4                               | Distance:                     |                    |
| Note: Cradle Charger + MP3                   |                               |                    |

#### Radiated Emission



| No. | Mk. | Freq.    | Reading Level | Correct Factor | Measurement | Limit  | Over   | Detector | Comment |
|-----|-----|----------|---------------|----------------|-------------|--------|--------|----------|---------|
|     |     | MHz      | dBuV          | dB/m           | dBuV/m      | dBuV/m | dB     |          |         |
| 1   |     | 3584.000 | 57.02         | -11.15         | 45.87       | 74.00  | -28.13 | peak     |         |
| 2   |     | 3958.000 | 58.18         | -9.57          | 48.61       | 74.00  | -25.39 | peak     |         |
| 3   |     | 4264.000 | 57.36         | -9.29          | 48.07       | 74.00  | -25.93 | peak     |         |
| 4   |     | 4808.000 | 57.42         | -7.97          | 49.45       | 74.00  | -24.55 | peak     |         |
| 5   |     | 5335.000 | 57.34         | -6.79          | 50.55       | 74.00  | -23.45 | peak     |         |
| 6   |     | 5811.000 | 57.44         | -5.91          | 51.53       | 74.00  | -22.47 | peak     |         |
| 7 * |     | 5811.000 | 43.88         | -5.91          | 37.97       | 54.00  | -16.03 | AVG      |         |

\*:Maximum data    x:Over limit    !:over margin

File :E1-2017-80213\Data :#27

Page: 1

Unless otherwise stated the results shown in this test report refer only to the sample(s) tested and such sample(s) are retained for 90 days only.

除非另有說明，此報告結果僅對測試之樣品負責，同時此樣品僅保留90天。本報告未經本公司書面許可，不可部份複製。

This document is issued by the Company subject to its General Conditions of Service printed overleaf, available on request or accessible at [www.sgs.com/terms\\_and\\_conditions.htm](http://www.sgs.com/terms_and_conditions.htm) and for electronic format documents, subject to Terms and Conditions for Electronic Documents at [www.sgs.com/terms\\_e-document.htm](http://www.sgs.com/terms_e-document.htm). Attention is drawn to the limitation of liability, indemnification and jurisdiction issues defined therein. Any holder of this document is advised that information contained hereon reflects the Company's findings at the time of its intervention only and within the limits of Client's instructions, if any. The Company's sole responsibility is to its Client and this document does not exonerate parties to a transaction from exercising all their rights and obligations under the transaction documents. This document cannot be reproduced except in full, without prior written approval of the Company. Any unauthorized alteration, forgery or falsification of the content or appearance of this document is unlawful and offenders may be prosecuted to the fullest extent of the law.