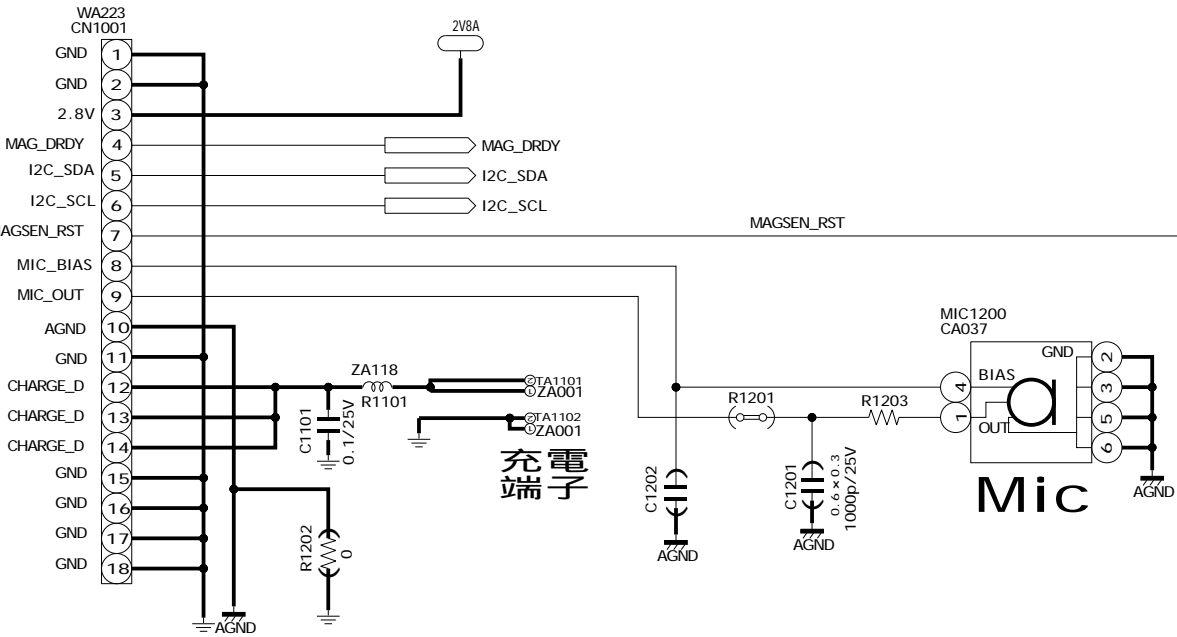


# SH-10C Daughter board



**MAG SENSOR**  
Ref. 1400-1499

