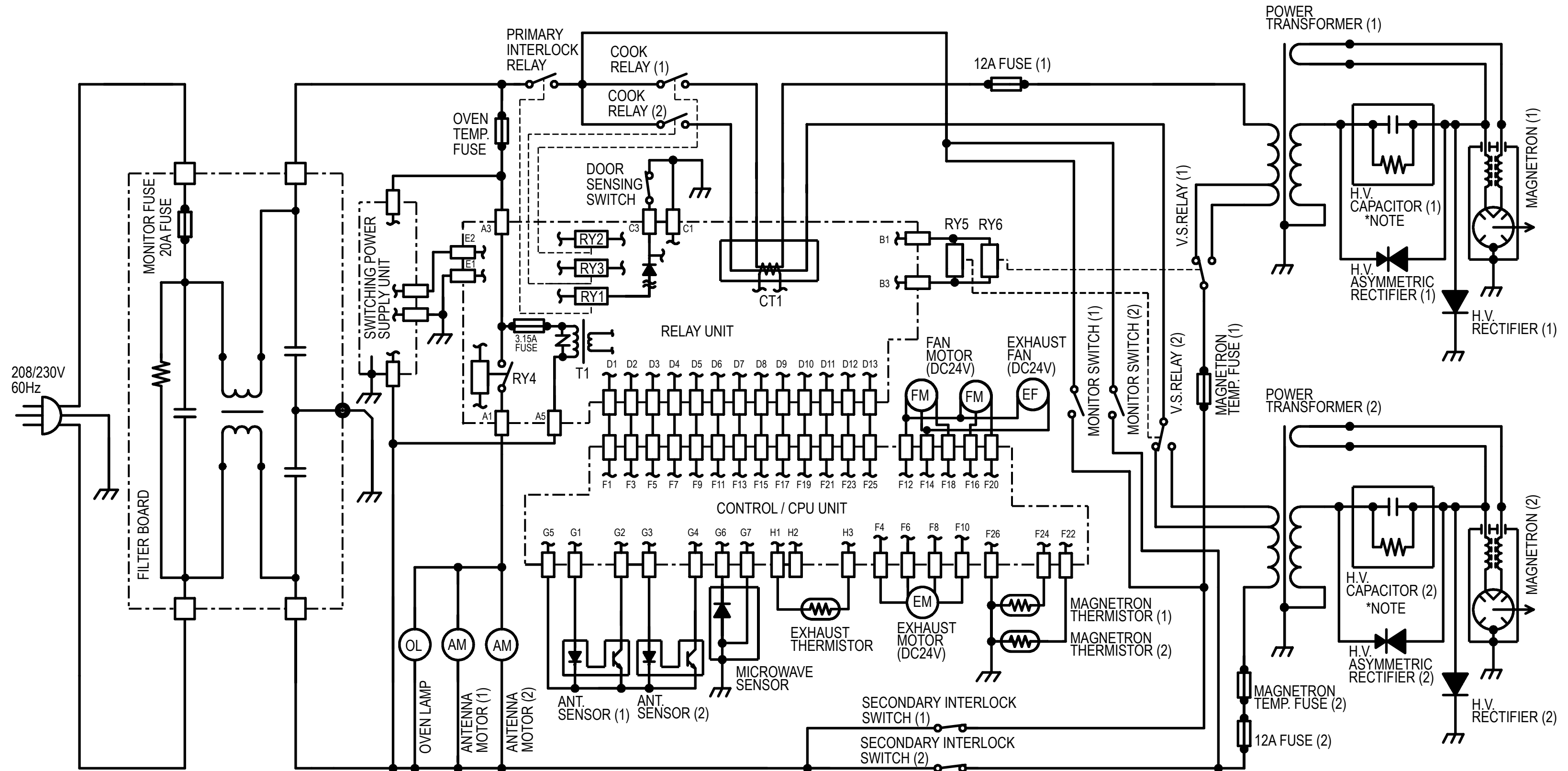


MODEL NO. R-CD1800M, R-CD2200M

SCHEMATIC DIAGRAM (DOOR CLOSED, COOK OFF CONDITION)



*NOTE: 0.82 uF for R-CD1800M
1.00 uF for R-CD2200M