

DESIGNED BY
S. KAWAKUBO

DATE
1.97-2-20

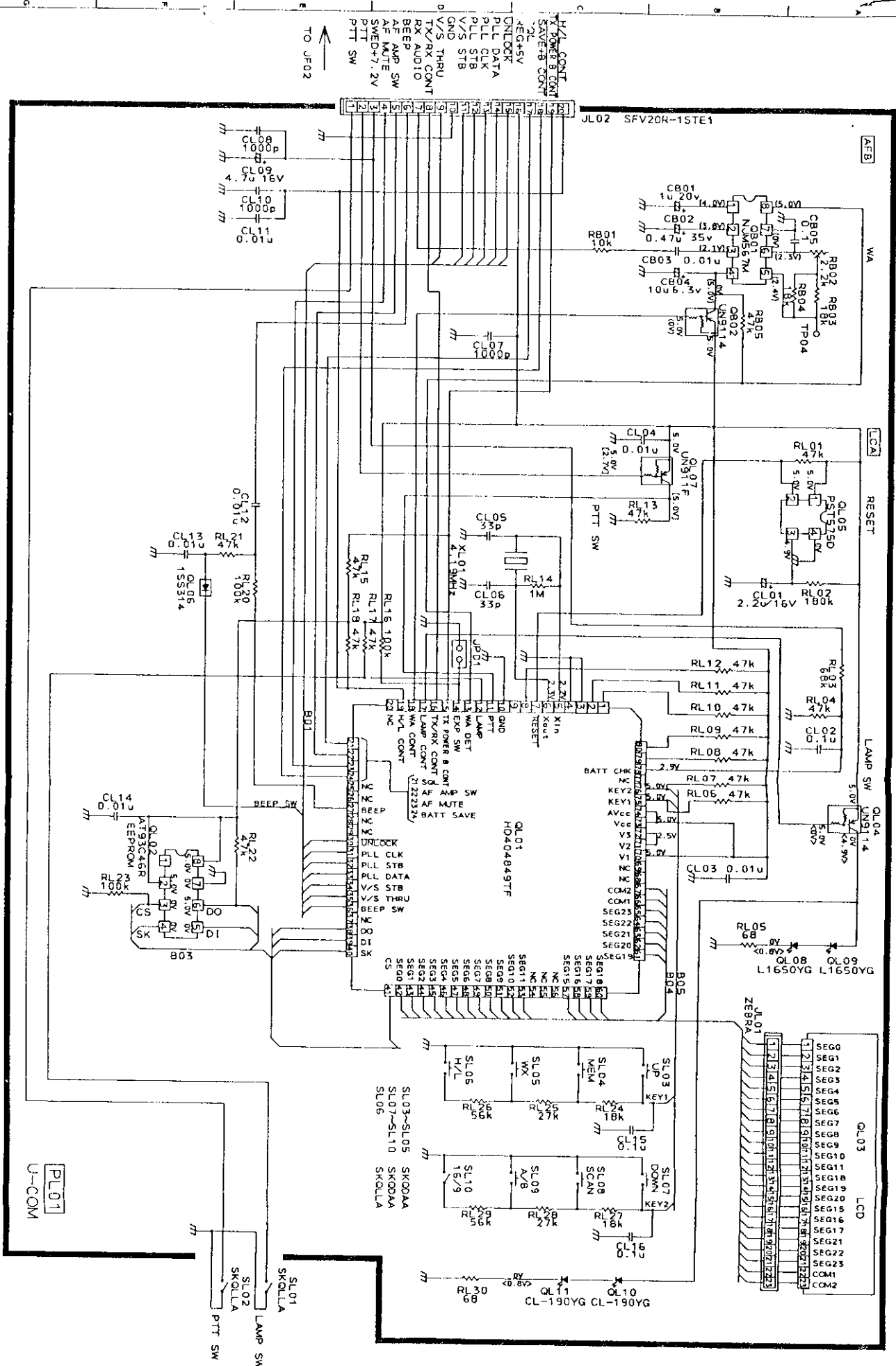
4068493E

APPROVED BY

DESIGN BY
DAWM

ORDER 4068

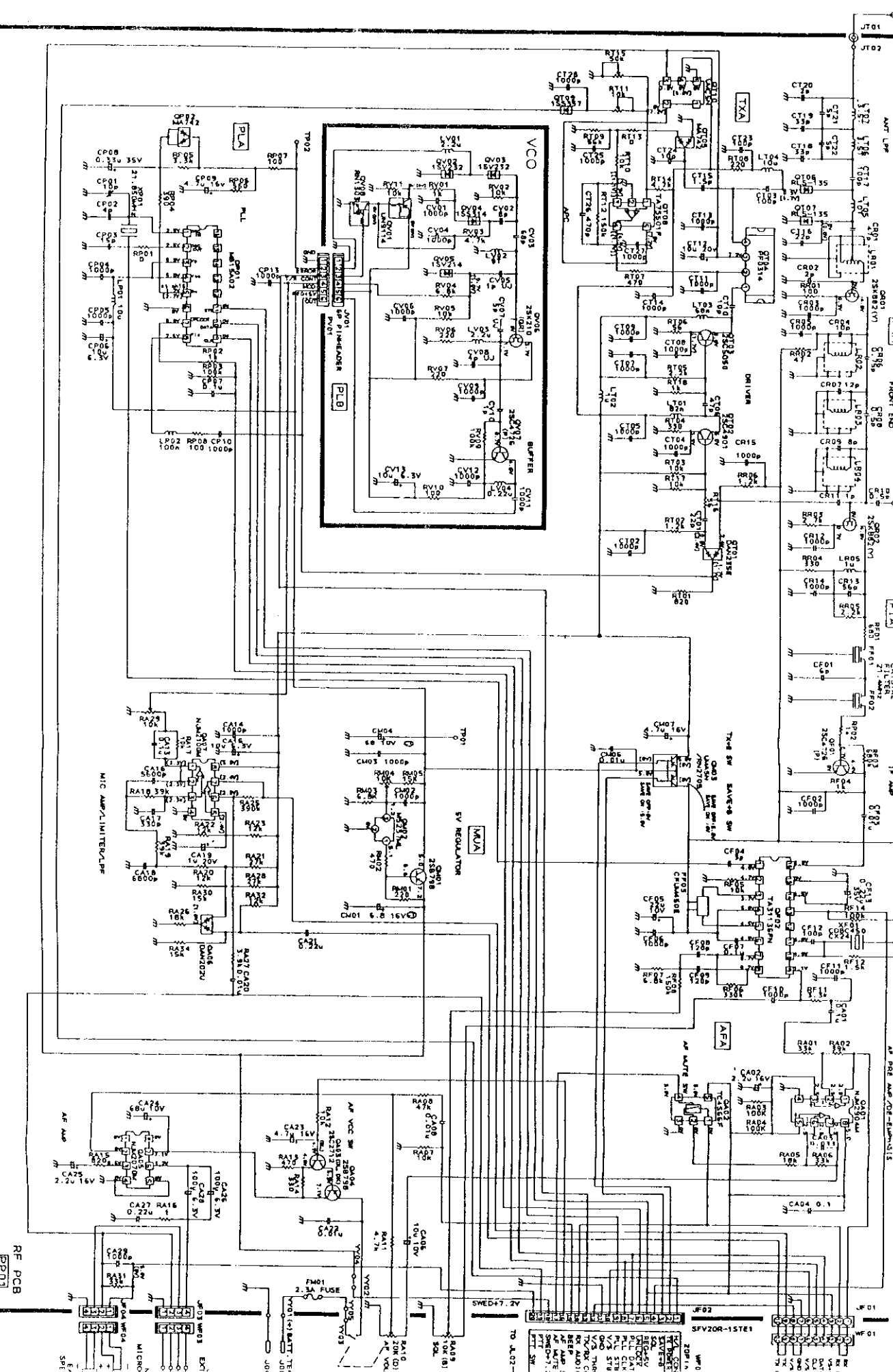
SCHEMATIC DIAGRAM OF HX3E



NOTES: 1. VOLTAGE RATINGS ARE AS FOLLOWS: NO MARKING - RX
 [] - TX
 [] - TX Lo
 < > - Lamp On
 () - VA Operation

2. REFER TO PARTS LIST FOR COMPONENT VALUES.
 3. UNLESS OTHERWISE NOTED, RESISTOR VALUES ARE IN OHMS (1/16W) AND CAPACITOR VALUES ARE IN FARADS.

DRAWN BY	SKOLLA	ORDER	406B
DESIGNED BY	SKOLLA	SCHEMATIC DIAGRAM OF H)	
DATE	98-2-9		
APPROVED BY	SKOLLA		406B49



NOTES: 1. VOLTAGE RATINGS ARE AS FOLLOWS: NO MARKING - 50V
 () - 100V
 () - 250V
 () - 500V
 () - 1000V
 2. REFER TO PART LIST FOR COMPONENT VALUES.
 3. UNLESS OTHERWISE NOTED, RESISTOR VALUES ARE IN OHMS (100M AND CAPACITOR VALUES ARE IN FARADS).

ORDER: 4061
 SCHEMATIC DIAGRAM
 DESIGNED BY: []
 DATE: []