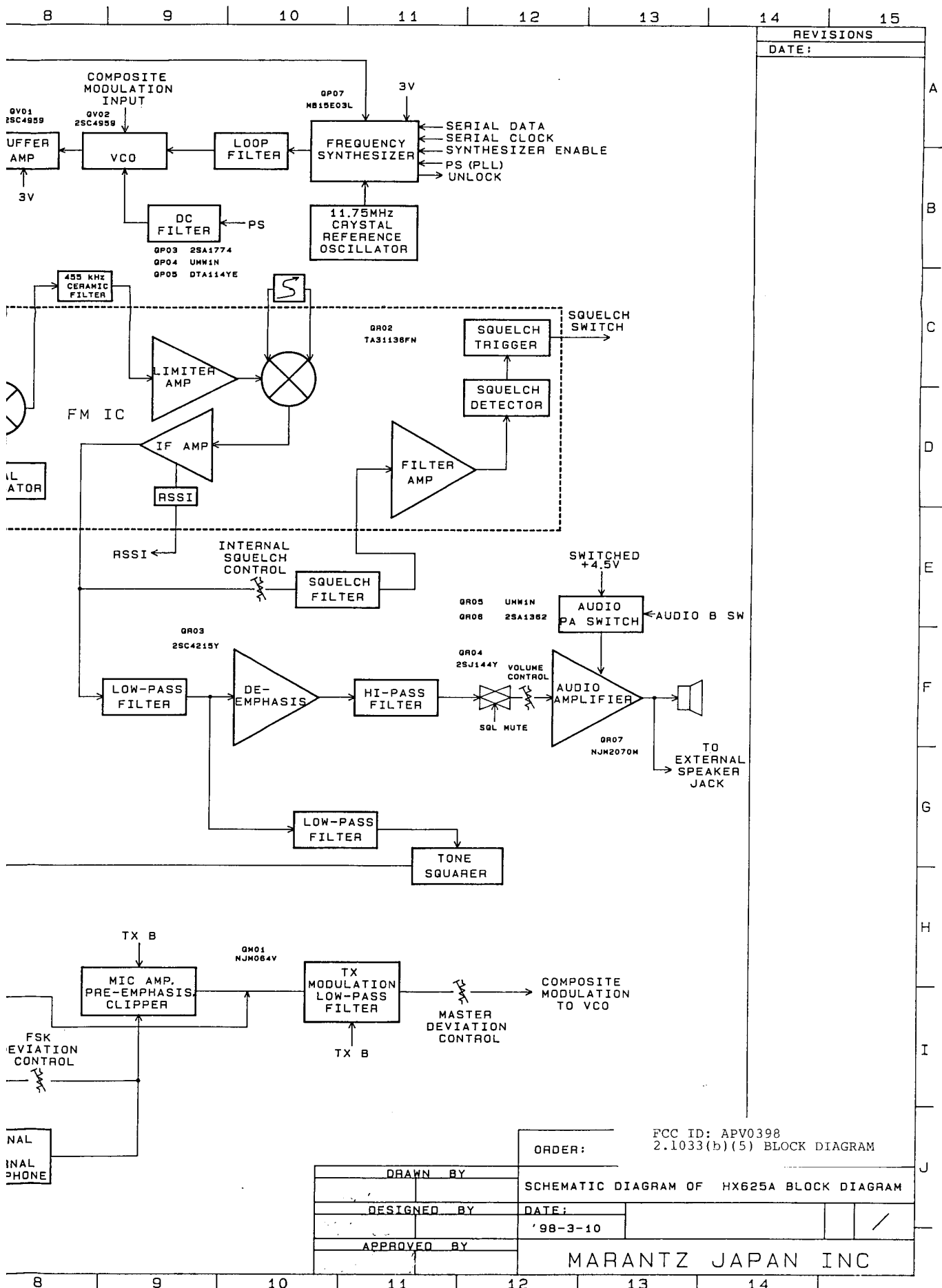


Diagrams



REVISIONS	
DATE:	

FCC ID: APV0398
2.1033(b)(5) BLOCK DIAGRAM

ORDER:			
DRAWN BY	SCHEMATIC DIAGRAM OF HX625A BLOCK DIAGRAM		
DESIGNED BY	DATE:		
APPROVED BY	'98-3-10		/
MARANTZ JAPAN INC			

