

# TUNE720 BT Antenna report

Testing Company: Tonly Technology Co., Ltd.

Address: Section 37, Zhongkai High-tech Development Zone,  
Huizhou City, Guangdong Province, 516006 China

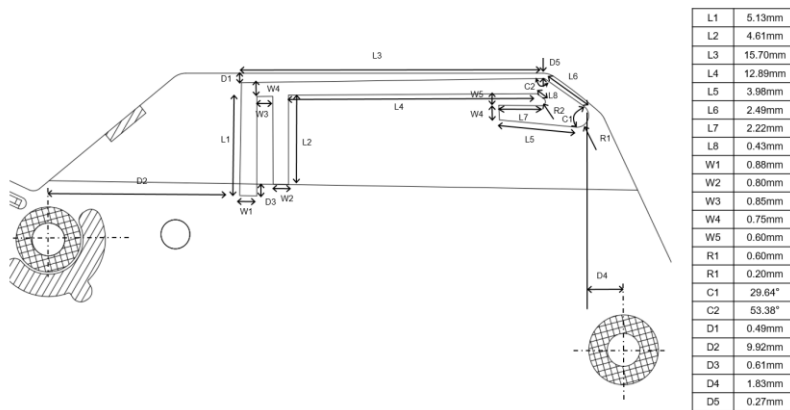
Test Engineer: chunlei zhao

Check: Minding Lu

Date:2022-10-23

Versions: 1.0

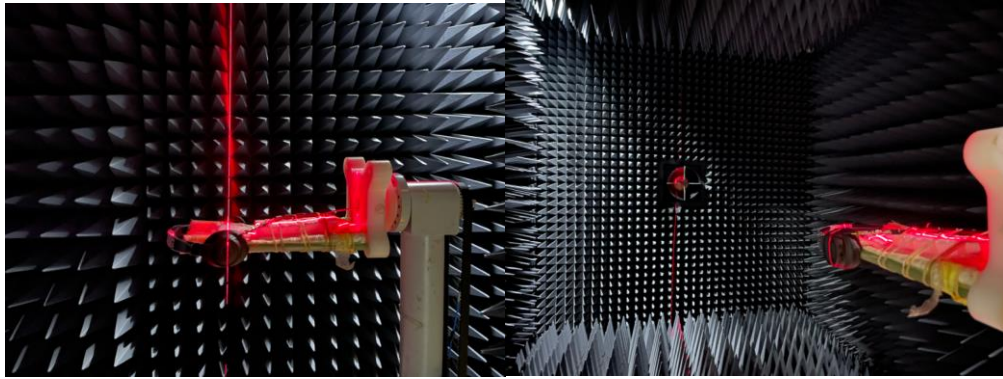
## 一、 Antenna Size



## 二、 Antenna photo

Please refer to Antenna supplement information.

### 三、 Test setup photo



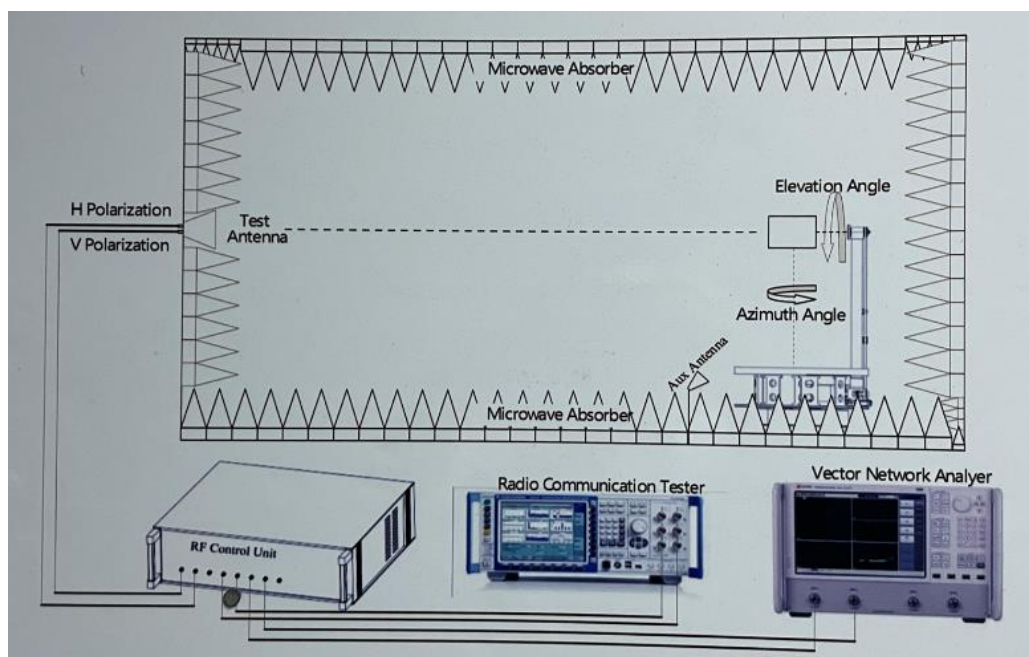
### 四、 Test standard

Name	Parameter	Method	Standard no.
Antenna performance	Radiation efficiency	IEEE Standard Test Procedures for Antennas	ANSI/IEEE Std 149-2021

### 五、 Equipment list

Equipment	Manufacturer	Model No	Serial No.	Last Cal.	Due Date
Network Analyzer	Agilent	E5071C	MY46630767	2022. 4. 28	2023. 4. 27

## 六、 Test configuration diagram



Test step flow:

- 1) Maintain the test ambient temperature of  $23 \pm 2$  C, the instrument is powered on and preheated for more than 30 minutes;
- 2) Turn on the darkroom power supply, connect the test cable, and set up the sample according to the standard;
- 3) Outline sets the test content objectives and conducts calibration tests;
- 4) Run the software, when the test is completed, export the corresponding test diagram and test data, and save to the corresponding directory.

## 七、 Antenna gain

Passive Test For BT Antenna			
Freq (MHz)	Gain (dB)	Efficiency (dB)	Efficiency (%)
2400	1.73	-2.71	53.63
2410	1.46	-2.82	52.26
2420	1.39	-2.81	52.39
2430	1.30	-2.85	51.84
2440	1.36	-2.85	51.93
2450	1.48	-2.83	52.07
2460	1.61	-2.84	51.99
2470	1.63	-2.81	52.38
2480	1.61	-2.89	51.43
2490	1.59	-3.07	49.37
2500	1.58	-3.20	47.91

## 八、Antenna test data

