



PARTYBOX ON THE GO



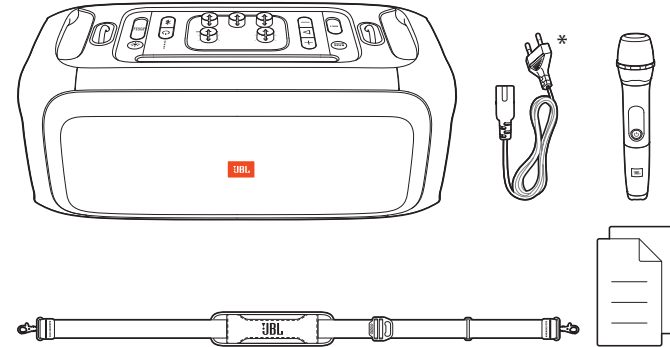
Quick Start Guide



- EN** Before using this product, read the safety sheet carefully.
- CS** Before using this product, read the safety sheet carefully.
- DA** Læs sikkerhedsarket omhyggeligt, før du bruger dette produkt.
- DE** Lies vor der Verwendung dieses Produkts das Sicherheitsdatenblatt sorgfältig durch.
- EL** Before using this product, read the safety sheet carefully.
- ES** Antes de usar este producto, lee la hoja de seguridad atentamente.
- FI** Lue käyttöturvallisuustiedote huolellisesti ennen tuotteen käyttöä.
- FR** Avant d'utiliser ce produit, lisez attentivement la fiche de sécurité.
- HU** Before using this product, read the safety sheet carefully.
- IT** Prima di utilizzare questo prodotto, leggere attentamente la scheda di sicurezza.
- NL** Lees het veiligheidsblad voordat u dit product gebruikt.
- NO** Før du bruker dette produktet, må du lese sikkerhetsbladet nøye.
- PL** Przed użyciem produktu, przeczytaj uważnie arkusz dot. bezpieczeństwa.
- PT-BR** Antes de usar o produto, leia cuidadosamente esta ficha de segurança.
- SV** Läs säkerhetsbladet noggrant innan du använder produkten.
- SK** Before using this product, read the safety sheet carefully.
- TR** Before using this product, read the safety sheet carefully.
- RU** Перед использованием изделия внимательно прочитайте инструкцию по безопасности.
- UK** Before using this product, read the safety sheet carefully.
- ZH-CN** 在使用本产品前, 请仔细阅读安全说明书。
- ZH-TW** 在使用本產品前, 請仔細閱讀安全說明書。
- ID** Sebelum menggunakan produk ini, bacalah lembar panduan keselamatan dengan cermat.
- JP** Before using this product, read the safety sheet carefully.
- KO** 제품을 사용하기 전에 안전 관련 주의사항을 자세히 읽으십시오.

قبل استخدام هذا المنتج, اقرأ صحيفة بيانات السلامة بعناية. **AR**

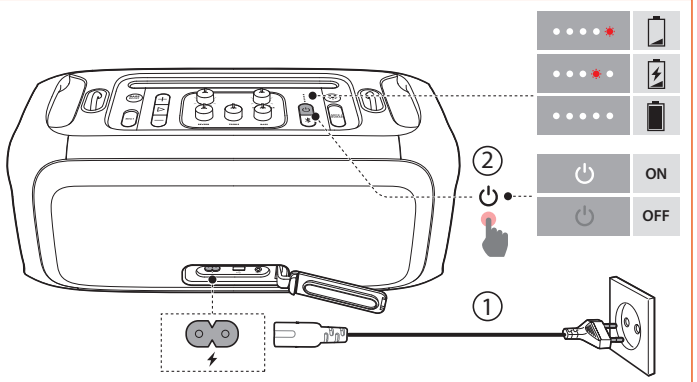
.Before using this product, read the safety sheet carefully **HE**



- EN** * Power cord quantity and plug type vary by regions.
- CS** * Power cord quantity and plug type vary by regions.
- DA** * Power cord quantity and plug type vary by regions.
- DE** * Power cord quantity and plug type vary by regions.
- EL** * Power cord quantity and plug type vary by regions.
- ES** * Power cord quantity and plug type vary by regions.
- FI** * Power cord quantity and plug type vary by regions.
- FR** * Power cord quantity and plug type vary by regions.
- HU** * Power cord quantity and plug type vary by regions.
- IT** * Power cord quantity and plug type vary by regions.
- NL** * Power cord quantity and plug type vary by regions.
- NO** * Power cord quantity and plug type vary by regions.
- PL** * Power cord quantity and plug type vary by regions.
- PT-BR** * Power cord quantity and plug type vary by regions.
- SV** * Power cord quantity and plug type vary by regions.
- SK** * Power cord quantity and plug type vary by regions.
- TR** * Power cord quantity and plug type vary by regions.
- RU** * Power cord quantity and plug type vary by regions.
- UK** * Power cord quantity and plug type vary by regions.
- ZH-CN** * Power cord quantity and plug type vary by regions.
- ZH-TW** * Power cord quantity and plug type vary by regions.
- ID** * Power cord quantity and plug type vary by regions.
- JP** * Power cord quantity and plug type vary by regions.
- KO** * Power cord quantity and plug type vary by regions.

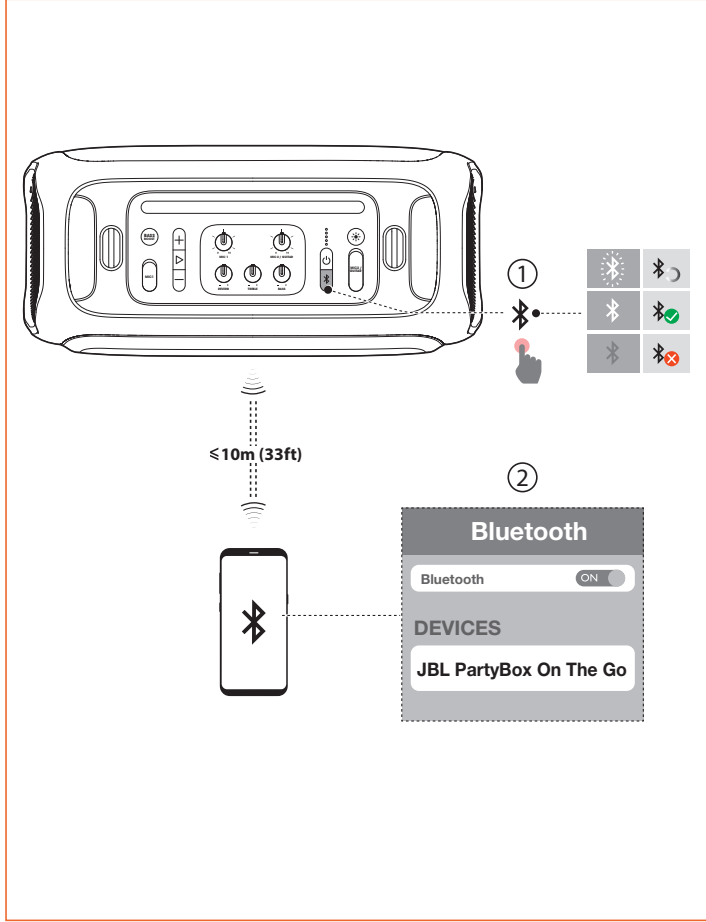
.Power cord quantity and plug type vary by regions * **AR**

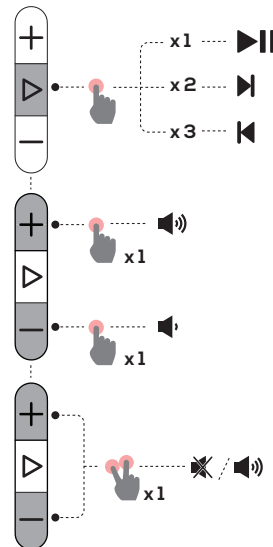
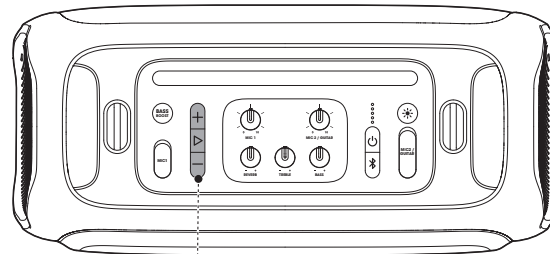
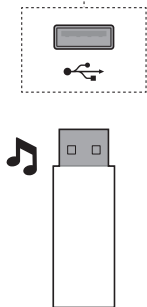
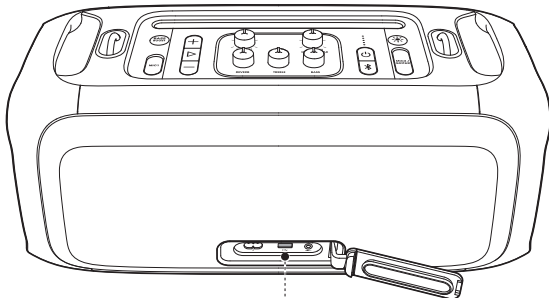
.Power cord quantity and plug type vary by regions * **HE**

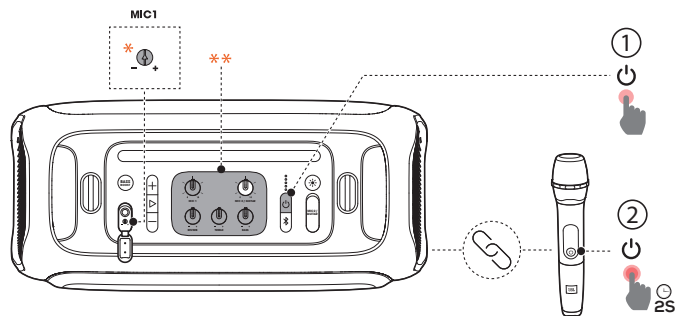


- EN** Fully charge the speaker before outdoor use.
- CS** Fully charge the speaker before outdoor use.
- DA** Fully charge the speaker before outdoor use.
- DE** Fully charge the speaker before outdoor use.
- EL** Fully charge the speaker before outdoor use.
- ES** Fully charge the speaker before outdoor use.
- FI** Fully charge the speaker before outdoor use.
- FR** Fully charge the speaker before outdoor use.
- HU** Fully charge the speaker before outdoor use.
- IT** Fully charge the speaker before outdoor use.
- NL** Fully charge the speaker before outdoor use.
- NO** Fully charge the speaker before outdoor use.
- PL** Fully charge the speaker before outdoor use.
- PT-BR** Fully charge the speaker before outdoor use.
- SV** Fully charge the speaker before outdoor use.
- SK** Fully charge the speaker before outdoor use.
- TR** Fully charge the speaker before outdoor use.
- RU** Fully charge the speaker before outdoor use.
- UK** Fully charge the speaker before outdoor use.
- ZH-CN** Fully charge the speaker before outdoor use.
- ZH-TW** Fully charge the speaker before outdoor use.
- ID** Fully charge the speaker before outdoor use.
- JP** Fully charge the speaker before outdoor use.
- KO** Fully charge the speaker before outdoor use.

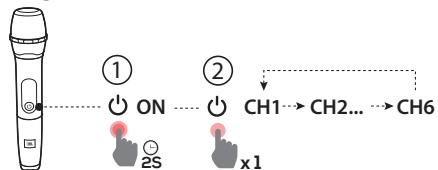
.Fully charge the speaker before outdoor use **AR**
 .Fully charge the speaker before outdoor use **HE**







Change channel



EN * Rotate to adjust the microphone gain.
** Rotate to adjust the microphone volume, echo, treble, and bass respectively.

The microphone goes to standby mode after 10 minutes of inactivity. You can adjust volume to wake it up.

Change channel

CS * Rotate to adjust the microphone gain.
** Rotate to adjust the microphone volume, echo, treble, and bass respectively.

The microphone goes to standby mode after 10 minutes of inactivity. You can adjust volume to wake it up.

Change channel

DA * Rotate to adjust the microphone gain.
** Rotate to adjust the microphone volume, echo, treble, and bass respectively.

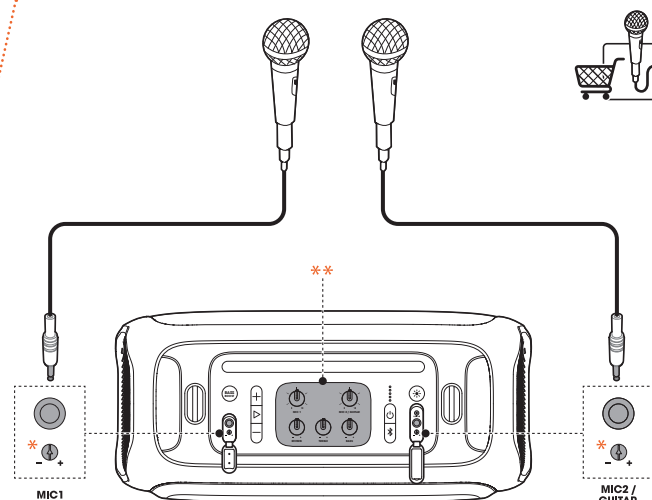
The microphone goes to standby mode after 10 minutes of inactivity. You can adjust volume to wake it up.

Change channel

DE * Rotate to adjust the microphone gain.
** Rotate to adjust the microphone volume, echo, treble, and bass respectively.

The microphone goes to standby mode after 10 minutes of inactivity. You can adjust volume to wake it up.

Change channel



EL * Rotate to adjust the microphone gain.
** Rotate to adjust the microphone volume, echo, treble, and bass respectively.

The microphone goes to standby mode after 10 minutes of inactivity. You can adjust volume to wake it up.

Change channel

ES * Rotate to adjust the microphone gain.
** Rotate to adjust the microphone volume, echo, treble, and bass respectively.

The microphone goes to standby mode after 10 minutes of inactivity. You can adjust volume to wake it up.

Change channel

FI * Rotate to adjust the microphone gain.
** Rotate to adjust the microphone volume, echo, treble, and bass respectively.

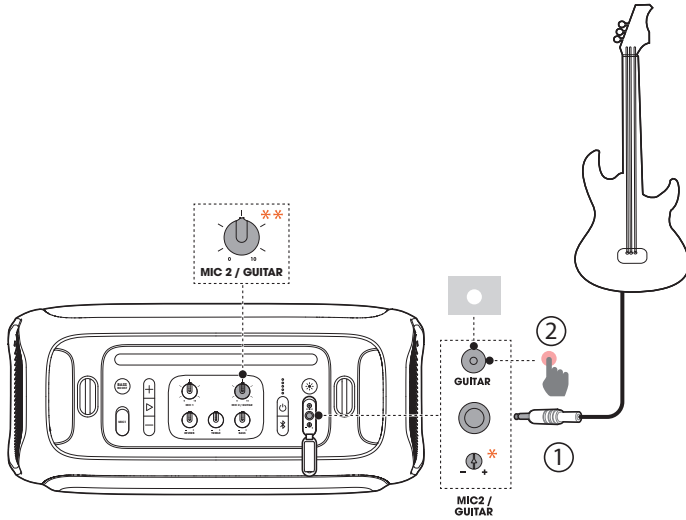
The microphone goes to standby mode after 10 minutes of inactivity. You can adjust volume to wake it up.

Change channel

FR * Rotate to adjust the microphone gain.
** Rotate to adjust the microphone volume, echo, treble, and bass respectively.

The microphone goes to standby mode after 10 minutes of inactivity. You can adjust volume to wake it up.

Change channel

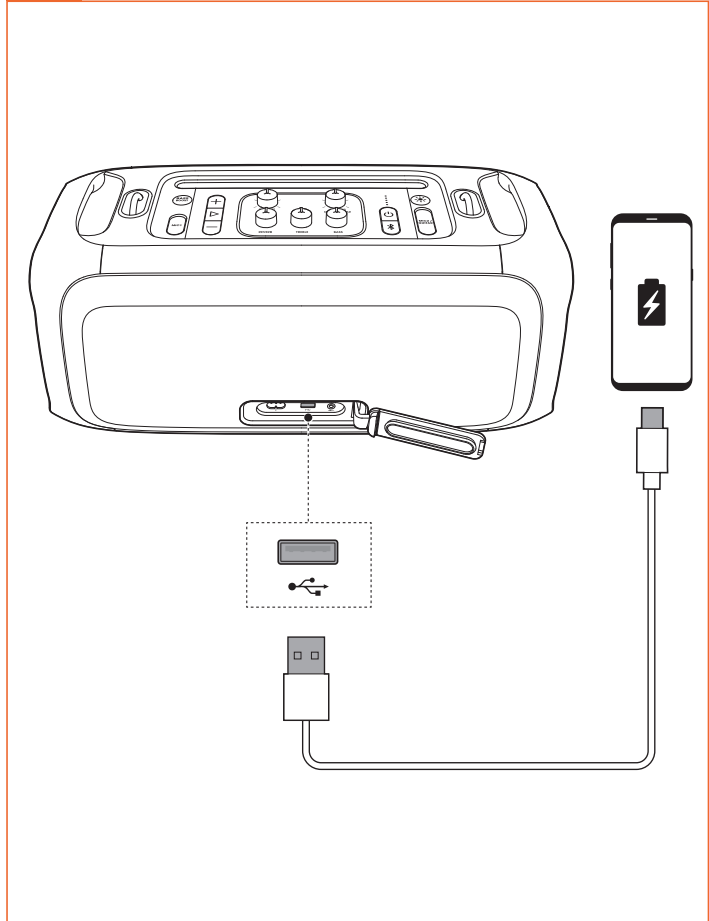
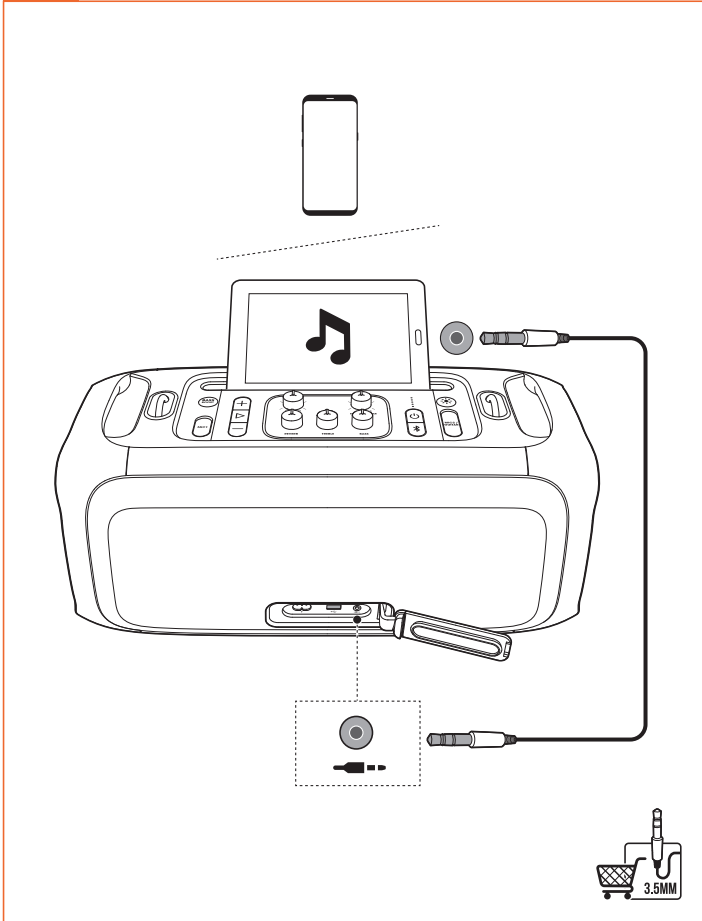


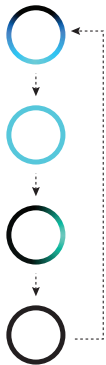
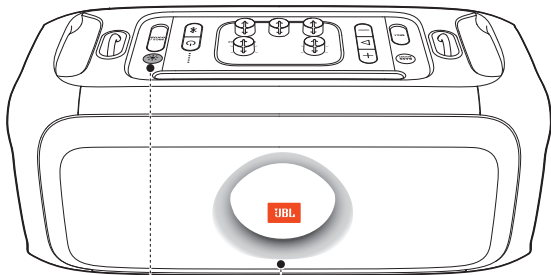
- EN** * Rotate to adjust the guitar gain.
** Rotate to adjust the guitar volume.
- CS** * Rotate to adjust the guitar gain.
** Rotate to adjust the guitar volume.
- DA** * Rotate to adjust the guitar gain.
** Rotate to adjust the guitar volume.
- DE** * Rotate to adjust the guitar gain.
** Rotate to adjust the guitar volume.
- EL** * Rotate to adjust the guitar gain.
** Rotate to adjust the guitar volume.
- ES** * Rotate to adjust the guitar gain.
** Rotate to adjust the guitar volume.
- FI** * Rotate to adjust the guitar gain.
** Rotate to adjust the guitar volume.

- FR** * Rotate to adjust the guitar gain.
** Rotate to adjust the guitar volume.
- HU** * Rotate to adjust the guitar gain.
** Rotate to adjust the guitar volume.
- IT** * Rotate to adjust the guitar gain.
** Rotate to adjust the guitar volume.
- NL** * Rotate to adjust the guitar gain.
** Rotate to adjust the guitar volume.
- NO** * Rotate to adjust the guitar gain.
** Rotate to adjust the guitar volume.
- PL** * Rotate to adjust the guitar gain.
** Rotate to adjust the guitar volume.
- PT-BR** * Rotate to adjust the guitar gain.
** Rotate to adjust the guitar volume.
- SV** * Rotate to adjust the guitar gain.
** Rotate to adjust the guitar volume.
- SK** * Rotate to adjust the guitar gain.
** Rotate to adjust the guitar volume.
- SK** * Rotate to adjust the guitar gain.
** Rotate to adjust the guitar volume.
- TR** * Rotate to adjust the guitar gain.
** Rotate to adjust the guitar volume.
- UK** * Rotate to adjust the guitar gain.
** Rotate to adjust the guitar volume.
- ZH-CN** * Rotate to adjust the guitar gain.
** Rotate to adjust the guitar volume.
- ZH-TW** * Rotate to adjust the guitar gain.
** Rotate to adjust the guitar volume.
- ID** * Rotate to adjust the guitar gain.
** Rotate to adjust the guitar volume.
- JP** * Rotate to adjust the guitar gain.
** Rotate to adjust the guitar volume.
- KO** * Rotate to adjust the guitar gain.
** Rotate to adjust the guitar volume.

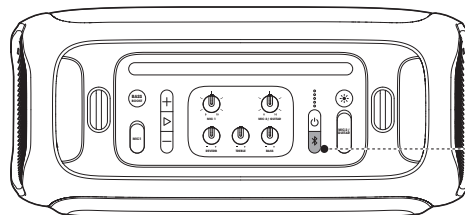
.Rotate to adjust the guitar gain * **AR**
.Rotate to adjust the guitar volume **

.Rotate to adjust the guitar gain * **HE**
.Rotate to adjust the guitar volume **

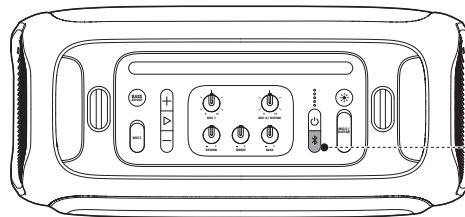




L channel



≤ 10m (33ft)



R channel



EN

- Product name: PartyBox On The Go
- AC power input: 100 - 240 V ~ 50/60 Hz
- Built in Battery: 19 Wh
- Power consumption: 50 W RMS
- Total output power: 100 W
- Standby power consumption: < 2 W with BT connecting;
< 0.5 W without BT connecting
- USB output: 5 V 2.1 A
- Speaker drivers: 5.25 in (133 mm) woofers + 2 x 1.75 in (44 mm) tweeters
- Speaker impedance: 4 Ω
- Signal-to-noise (S/N) ratio: > 90 dBA
- Frequency response: 50 Hz - 20 kHz (-6 dB)
- Battery charge time: < 2.5 Hrs
- Battery play time: > 6 Hrs
- Bluetooth version: 4.2
- Bluetooth profile: A2DP1.3, AVRCP V1.5
- Bluetooth transmitter frequency range: 2.402 - 2480 MHz
- Bluetooth maximum transmitter power: 15 dBm (EIRP)
- Bluetooth transmitter modulation: GFSK, $\pi/4$ DQPSK, 8DPSK
- Bluetooth range: Approx. 10 m (33 ft)
- USB format: FAT 16, FAT 32
- USB file format: mp3, wma, wav
- Digital input: Bluetooth / USB - 9 BFS
- Input sensitivity (AUX in): 370 mV rms (3.5 mm connector)
- Input sensitivity (Microphone / Guitar input): Mic: 20 mV, Guitar: 100 mV
- Product Dimension (W x H x D): 530 x 332 x 245 mm / 20.87 x 13.07 x 9.65 in
- Packaging Dimension (W x H x D): 630 x 348 x 430 mm / 24.8 x 13.7 x 16.93 in
- Net weight: 7.5 kg / 16.5 lbs
- Gross weight: 15 kg / 33.0 lbs

Wireless microphone spec

- Frequency response: 20 Hz - 20 kHz (+/-1 dB)
- Signal-to-noise (S/N) ratio: > 70 dBA
- UHF frequency band: 470 ~ 806 MHz (depends on SKU)
- Transmitter transmitting power: < 10 mW
- Microphone battery play time: > 10 Hrs
- Distance between transmitter and receiver: > 10 m

CS

- Product name: PartyBox On The Go
- AC power input: 100 - 240 V ~ 50/60 Hz
- Built in Battery: 19 Wh
- Power consumption: 50 W RMS
- Total output power: 100 W
- Standby power consumption: < 2 W with BT connecting;
< 0.5 W without BT connecting
- USB output: 5 V 2.1 A
- Speaker drivers: 5.25 in (133 mm) woofers + 2 x 1.75 in (44 mm) tweeters
- Speaker impedance: 4 Ω
- Signal-to-noise (S/N) ratio: > 90 dBA
- Frequency response: 50 Hz - 20 kHz (-6 dB)
- Battery charge time: < 2.5 Hrs
- Battery play time: > 6 Hrs
- Bluetooth version: 4.2
- Bluetooth profile: A2DP1.3, AVRCP V1.5
- Bluetooth transmitter frequency range: 2.402 - 2480 MHz
- Bluetooth maximum transmitter power: 15 dBm (EIRP)
- Bluetooth transmitter modulation: GFSK, $\pi/4$ DQPSK, 8DPSK
- Bluetooth range: Approx. 10 m (33 ft)
- USB format: FAT 16, FAT 32
- USB file format: mp3, wma, wav
- Digital input: Bluetooth / USB - 9 BFS
- Input sensitivity (AUX in): 370 mV rms (3.5 mm connector)
- Input sensitivity (Microphone / Guitar input): Mic: 20 mV, Guitar: 100 mV
- Product Dimension (W x H x D): 530 x 332 x 245 mm / 20.87 x 13.07 x 9.65 in
- Packaging Dimension (W x H x D): 630 x 348 x 430 mm / 24.8 x 13.7 x 16.93 in
- Net weight: 7.5 kg / 16.5 lbs
- Gross weight: 15 kg / 33.0 lbs

Wireless microphone spec

- Frequency response: 20 Hz - 20 kHz (+/-1 dB)
- Signal-to-noise (S/N) ratio: > 70 dBA
- UHF frequency band: 470 ~ 806 MHz (depends on SKU)
- Transmitter transmitting power: < 10 mW
- Microphone battery play time: > 10 Hrs
- Distance between transmitter and receiver: > 10 m



DA

- Product name: PartyBox On The Go
- AC power input: 100 - 240 V ~ 50/60 Hz
- Built in Battery: 19 Wh
- Power consumption: 50 W RMS
- Total output power: 100 W
- Standby power consumption: < 2 W with BT connecting;
< 0.5 W without BT connecting
- USB output: 5 V 2.1 A
- Speaker drivers: 5.25 in (133 mm) woofers + 2 x 1.75 in (44 mm) tweeters
- Speaker impedance: 4 Ω
- Signal-to-noise (S/N) ratio: > 90 dBA
- Frequency response: 50 Hz - 20 kHz (-6 dB)
- Battery charge time: < 2.5 Hrs
- Battery play time: > 6 Hrs
- Bluetooth version: 4.2
- Bluetooth profile: A2DP1.3, AVRCP V1.5
- Bluetooth transmitter frequency range: 2.402 - 2480 MHz
- Bluetooth maximum transmitter power: 15 dBm (EIRP)
- Bluetooth transmitter modulation: GFSK, $\pi/4$ DQPSK, 8DPSK
- Bluetooth range: Approx. 10 m (33 ft)
- USB format: FAT 16, FAT 32
- USB file format: mp3, wma, wav
- Digital input: Bluetooth / USB - 9 BFS
- Input sensitivity (AUX in): 370 mV rms (3.5 mm connector)
- Input sensitivity (Microphone / Guitar input): Mic: 20 mV, Guitar: 100 mV
- Product Dimension (W x H x D): 530 x 332 x 245 mm / 20.87 x 13.07 x 9.65 in
- Packaging Dimension (W x H x D): 630 x 348 x 430 mm / 24.8 x 13.7 x 16.93 in
- Net weight: 7.5 kg / 16.5 lbs
- Gross weight: 15 kg / 33.0 lbs

Wireless microphone spec

- Frequency response: 20 Hz - 20 kHz (+/-1 dB)
- Signal-to-noise (S/N) ratio: > 70 dBA
- UHF frequency band: 470 ~ 806 MHz (depends on SKU)
- Transmitter transmitting power: < 10 mW
- Microphone battery play time: > 10 Hrs
- Distance between transmitter and receiver: > 10 m

DE

- Product name: PartyBox On The Go
- AC power input: 100 - 240 V ~ 50/60 Hz
- Built in Battery: 19 Wh
- Power consumption: 50 W RMS
- Total output power: 100 W
- Standby power consumption: < 2 W with BT connecting;
< 0.5 W without BT connecting
- USB output: 5 V 2.1 A
- Speaker drivers: 5.25 in (133 mm) woofers + 2 x 1.75 in (44 mm) tweeters
- Speaker impedance: 4 Ω
- Signal-to-noise (S/N) ratio: > 90 dBA
- Frequency response: 50 Hz - 20 kHz (-6 dB)
- Battery charge time: < 2.5 Hrs
- Battery play time: > 6 Hrs
- Bluetooth version: 4.2
- Bluetooth profile: A2DP1.3, AVRCP V1.5
- Bluetooth transmitter frequency range: 2.402 - 2480 MHz
- Bluetooth maximum transmitter power: 15 dBm (EIRP)
- Bluetooth transmitter modulation: GFSK, $\pi/4$ DQPSK, 8DPSK
- Bluetooth range: Approx. 10 m (33 ft)
- USB format: FAT 16, FAT 32
- USB file format: mp3, wma, wav
- Digital input: Bluetooth / USB - 9 BFS
- Input sensitivity (AUX in): 370 mV rms (3.5 mm connector)
- Input sensitivity (Microphone / Guitar input): Mic: 20 mV, Guitar: 100 mV
- Product Dimension (W x H x D): 530 x 332 x 245 mm / 20.87 x 13.07 x 9.65 in
- Packaging Dimension (W x H x D): 630 x 348 x 430 mm / 24.8 x 13.7 x 16.93 in
- Net weight: 7.5 kg / 16.5 lbs
- Gross weight: 15 kg / 33.0 lbs

Wireless microphone spec

- Frequency response: 20 Hz - 20 kHz (+/-1 dB)
- Signal-to-noise (S/N) ratio: > 70 dBA
- UHF frequency band: 470 ~ 806 MHz (depends on SKU)
- Transmitter transmitting power: < 10 mW
- Microphone battery play time: > 10 Hrs
- Distance between transmitter and receiver: > 10 m



EL

- Product name: PartyBox On The Go
- AC power input: 100 - 240 V ~ 50/60 Hz
- Built in Battery: 19 Wh
- Power consumption: 50 W RMS
- Total output power: 100 W
- Standby power consumption: < 2 W with BT connecting;
< 0.5 W without BT connecting
- USB output: 5 V 2.1 A
- Speaker drivers: 5.25 in (133 mm) woofers + 2 x 1.75 in (44 mm) tweeters
- Speaker impedance: 4 Ω
- Signal-to-noise (S/N) ratio: > 90 dBA
- Frequency response: 50 Hz - 20 kHz (-6 dB)
- Battery charge time: < 2.5 Hrs
- Battery play time: > 6 Hrs
- Bluetooth version: 4.2
- Bluetooth profile: A2DP1.3, AVRCP V1.5
- Bluetooth transmitter frequency range: 2.402 - 2480 MHz
- Bluetooth maximum transmitter power: 15 dBm (EIRP)
- Bluetooth transmitter modulation: GFSK, $\pi/4$ DQPSK, 8DPSK
- Bluetooth range: Approx. 10 m (33 ft)
- USB format: FAT 16, FAT 32
- USB file format: mp3, wma, wav
- Digital input: Bluetooth / USB - 9 BFS
- Input sensitivity (AUX in): 370 mV rms (3.5 mm connector)
- Input sensitivity (Microphone / Guitar input): Mic: 20 mV, Guitar: 100 mV
- Product Dimension (W x H x D): 530 x 332 x 245 mm / 20.87 x 13.07 x 9.65 in
- Packaging Dimension (W x H x D): 630 x 348 x 430 mm / 24.8 x 13.7 x 16.93 in
- Net weight: 7.5 kg / 16.5 lbs
- Gross weight: 15 kg / 33.0 lbs

Wireless microphone spec

- Frequency response: 20 Hz - 20 kHz (+/- 1 dB)
- Signal-to-noise (S/N) ratio: > 70 dBA
- UHF frequency band: 470 ~ 806 MHz (depends on SKU)
- Transmitter transmitting power: < 10 mW
- Microphone battery play time: > 10 Hrs
- Distance between transmitter and receiver: > 10 m

ES

- Product name: PartyBox On The Go
- AC power input: 100 - 240 V ~ 50/60 Hz
- Built in Battery: 19 Wh
- Power consumption: 50 W RMS
- Total output power: 100 W
- Standby power consumption: < 2 W with BT connecting;
< 0.5 W without BT connecting
- USB output: 5 V 2.1 A
- Speaker drivers: 5.25 in (133 mm) woofers + 2 x 1.75 in (44 mm) tweeters
- Speaker impedance: 4 Ω
- Signal-to-noise (S/N) ratio: > 90 dBA
- Frequency response: 50 Hz - 20 kHz (-6 dB)
- Battery charge time: < 2.5 Hrs
- Battery play time: > 6 Hrs
- Bluetooth version: 4.2
- Bluetooth profile: A2DP1.3, AVRCP V1.5
- Bluetooth transmitter frequency range: 2.402 - 2480 MHz
- Bluetooth maximum transmitter power: 15 dBm (EIRP)
- Bluetooth transmitter modulation: GFSK, $\pi/4$ DQPSK, 8DPSK
- Bluetooth range: Approx. 10 m (33 ft)
- USB format: FAT 16, FAT 32
- USB file format: mp3, wma, wav
- Digital input: Bluetooth / USB - 9 BFS
- Input sensitivity (AUX in): 370 mV rms (3.5 mm connector)
- Input sensitivity (Microphone / Guitar input): Mic: 20 mV, Guitar: 100 mV
- Product Dimension (W x H x D): 530 x 332 x 245 mm / 20.87 x 13.07 x 9.65 in
- Packaging Dimension (W x H x D): 630 x 348 x 430 mm / 24.8 x 13.7 x 16.93 in
- Net weight: 7.5 kg / 16.5 lbs
- Gross weight: 15 kg / 33.0 lbs

Wireless microphone spec

- Frequency response: 20 Hz - 20 kHz (+/- 1 dB)
- Signal-to-noise (S/N) ratio: > 70 dBA
- UHF frequency band: 470 ~ 806 MHz (depends on SKU)
- Transmitter transmitting power: < 10 mW
- Microphone battery play time: > 10 Hrs
- Distance between transmitter and receiver: > 10 m



FI

- Product name: PartyBox On The Go
- AC power input: 100 - 240 V ~ 50/60 Hz
- Built in Battery: 19 Wh
- Power consumption: 50 W RMS
- Total output power: 100 W
- Standby power consumption: < 2 W with BT connecting;
< 0.5 W without BT connecting
- USB output: 5 V 2.1 A
- Speaker drivers: 5.25 in (133 mm) woofers + 2 x 1.75 in (44 mm) tweeters
- Speaker impedance: 4 Ω
- Signal-to-noise (S/N) ratio: > 90 dBA
- Frequency response: 50 Hz - 20 kHz (-6 dB)
- Battery charge time: < 2.5 Hrs
- Battery play time: > 6 Hrs
- Bluetooth version: 4.2
- Bluetooth profile: A2DP1.3, AVRCP V1.5
- Bluetooth transmitter frequency range: 2.402 - 2480 MHz
- Bluetooth maximum transmitter power: 15 dBm (EIRP)
- Bluetooth transmitter modulation: GFSK, $\pi/4$ DQPSK, 8DPSK
- Bluetooth range: Approx. 10 m (33 ft)
- USB format: FAT 16, FAT 32
- USB file format: mp3, wma, wav
- Digital input: Bluetooth / USB - 9 BFS
- Input sensitivity (AUX in): 370 mV rms (3.5 mm connector)
- Input sensitivity (Microphone / Guitar input): Mic: 20 mV, Guitar: 100 mV
- Product Dimension (W x H x D): 530 x 332 x 245 mm / 20.87 x 13.07 x 9.65 in
- Packaging Dimension (W x H x D): 630 x 348 x 430 mm / 24.8 x 13.7 x 16.93 in
- Net weight: 7.5 kg / 16.5 lbs
- Gross weight: 15 kg / 33.0 lbs

Wireless microphone spec

- Frequency response: 20 Hz - 20 kHz (+/-1 dB)
- Signal-to-noise (S/N) ratio: > 70 dBA
- UHF frequency band: 470 ~ 806 MHz (depends on SKU)
- Transmitter transmitting power: < 10 mW
- Microphone battery play time: > 10 Hrs
- Distance between transmitter and receiver: > 10 m

FR

- Product name: PartyBox On The Go
- AC power input: 100 - 240 V ~ 50/60 Hz
- Built in Battery: 19 Wh
- Power consumption: 50 W RMS
- Total output power: 100 W
- Standby power consumption: < 2 W with BT connecting;
< 0.5 W without BT connecting
- USB output: 5 V 2.1 A
- Speaker drivers: 5.25 in (133 mm) woofers + 2 x 1.75 in (44 mm) tweeters
- Speaker impedance: 4 Ω
- Signal-to-noise (S/N) ratio: > 90 dBA
- Frequency response: 50 Hz - 20 kHz (-6 dB)
- Battery charge time: < 2.5 Hrs
- Battery play time: > 6 Hrs
- Bluetooth version: 4.2
- Bluetooth profile: A2DP1.3, AVRCP V1.5
- Bluetooth transmitter frequency range: 2.402 - 2480 MHz
- Bluetooth maximum transmitter power: 15 dBm (EIRP)
- Bluetooth transmitter modulation: GFSK, $\pi/4$ DQPSK, 8DPSK
- Bluetooth range: Approx. 10 m (33 ft)
- USB format: FAT 16, FAT 32
- USB file format: mp3, wma, wav
- Digital input: Bluetooth / USB - 9 BFS
- Input sensitivity (AUX in): 370 mV rms (3.5 mm connector)
- Input sensitivity (Microphone / Guitar input): Mic: 20 mV, Guitar: 100 mV
- Product Dimension (W x H x D): 530 x 332 x 245 mm / 20.87 x 13.07 x 9.65 in
- Packaging Dimension (W x H x D): 630 x 348 x 430 mm / 24.8 x 13.7 x 16.93 in
- Net weight: 7.5 kg / 16.5 lbs
- Gross weight: 15 kg / 33.0 lbs

Wireless microphone spec

- Frequency response: 20 Hz - 20 kHz (+/-1 dB)
- Signal-to-noise (S/N) ratio: > 70 dBA
- UHF frequency band: 470 ~ 806 MHz (depends on SKU)
- Transmitter transmitting power: < 10 mW
- Microphone battery play time: > 10 Hrs
- Distance between transmitter and receiver: > 10 m



HU

- Product name: PartyBox On The Go
- AC power input: 100 - 240 V ~ 50/60 Hz
- Built in Battery: 19 Wh
- Power consumption: 50 W RMS
- Total output power: 100 W
- Standby power consumption: < 2 W with BT connecting;
< 0.5 W without BT connecting
- USB output: 5 V 2.1 A
- Speaker drivers: 5.25 in (133 mm) woofers + 2 x 1.75 in (44 mm) tweeters
- Speaker impedance: 4 Ω
- Signal-to-noise (S/N) ratio: > 90 dBA
- Frequency response: 50 Hz - 20 kHz (-6 dB)
- Battery charge time: < 2.5 Hrs
- Battery play time: > 6 Hrs
- Bluetooth version: 4.2
- Bluetooth profile: A2DP1.3, AVRCP V1.5
- Bluetooth transmitter frequency range: 2.402 - 2480 MHz
- Bluetooth maximum transmitter power: 15 dBm (EIRP)
- Bluetooth transmitter modulation: GFSK, $\pi/4$ DQPSK, 8DPSK
- Bluetooth range: Approx. 10 m (33 ft)
- USB format: FAT 16, FAT 32
- USB file format: mp3, wma, wav
- Digital input: Bluetooth / USB - 9 BFS
- Input sensitivity (AUX in): 370 mV rms (3.5 mm connector)
- Input sensitivity (Microphone / Guitar input): Mic: 20 mV, Guitar: 100 mV
- Product Dimension (W x H x D): 530 x 332 x 245 mm / 20.87 x 13.07 x 9.65 in
- Packaging Dimension (W x H x D): 630 x 348 x 430 mm / 24.8 x 13.7 x 16.93 in
- Net weight: 7.5 kg / 16.5 lbs
- Gross weight: 15 kg / 33.0 lbs

Wireless microphone spec

- Frequency response: 20 Hz - 20 kHz (+/-1 dB)
- Signal-to-noise (S/N) ratio: > 70 dBA
- UHF frequency band: 470 ~ 806 MHz (depends on SKU)
- Transmitter transmitting power: < 10 mW
- Microphone battery play time: > 10 Hrs
- Distance between transmitter and receiver: > 10 m

IT

- Product name: PartyBox On The Go
- AC power input: 100 - 240 V ~ 50/60 Hz
- Built in Battery: 19 Wh
- Power consumption: 50 W RMS
- Total output power: 100 W
- Standby power consumption: < 2 W with BT connecting;
< 0.5 W without BT connecting
- USB output: 5 V 2.1 A
- Speaker drivers: 5.25 in (133 mm) woofers + 2 x 1.75 in (44 mm) tweeters
- Speaker impedance: 4 Ω
- Signal-to-noise (S/N) ratio: > 90 dBA
- Frequency response: 50 Hz - 20 kHz (-6 dB)
- Battery charge time: < 2.5 Hrs
- Battery play time: > 6 Hrs
- Bluetooth version: 4.2
- Bluetooth profile: A2DP1.3, AVRCP V1.5
- Bluetooth transmitter frequency range: 2.402 - 2480 MHz
- Bluetooth maximum transmitter power: 15 dBm (EIRP)
- Bluetooth transmitter modulation: GFSK, $\pi/4$ DQPSK, 8DPSK
- Bluetooth range: Approx. 10 m (33 ft)
- USB format: FAT 16, FAT 32
- USB file format: mp3, wma, wav
- Digital input: Bluetooth / USB - 9 BFS
- Input sensitivity (AUX in): 370 mV rms (3.5 mm connector)
- Input sensitivity (Microphone / Guitar input): Mic: 20 mV, Guitar: 100 mV
- Product Dimension (W x H x D): 530 x 332 x 245 mm / 20.87 x 13.07 x 9.65 in
- Packaging Dimension (W x H x D): 630 x 348 x 430 mm / 24.8 x 13.7 x 16.93 in
- Net weight: 7.5 kg / 16.5 lbs
- Gross weight: 15 kg / 33.0 lbs

Wireless microphone spec

- Frequency response: 20 Hz - 20 kHz (+/-1 dB)
- Signal-to-noise (S/N) ratio: > 70 dBA
- UHF frequency band: 470 ~ 806 MHz (depends on SKU)
- Transmitter transmitting power: < 10 mW
- Microphone battery play time: > 10 Hrs
- Distance between transmitter and receiver: > 10 m



NL

- Product name: PartyBox On The Go
- AC power input: 100 - 240 V ~ 50/60 Hz
- Built in Battery: 19 Wh
- Power consumption: 50 W RMS
- Total output power: 100 W
- Standby power consumption: < 2 W with BT connecting;
< 0.5 W without BT connecting
- USB output: 5 V 2.1 A
- Speaker drivers: 5.25 in (133 mm) woofers + 2 x 1.75 in (44 mm) tweeters
- Speaker impedance: 4 Ω
- Signal-to-noise (S/N) ratio: > 90 dBA
- Frequency response: 50 Hz - 20 kHz (-6 dB)
- Battery charge time: < 2.5 Hrs
- Battery play time: > 6 Hrs
- Bluetooth version: 4.2
- Bluetooth profile: A2DP1.3, AVRCP V1.5
- Bluetooth transmitter frequency range: 2.402 - 2480 MHz
- Bluetooth maximum transmitter power: 15 dBm (EIRP)
- Bluetooth transmitter modulation: GFSK, $\pi/4$ DQPSK, 8DPSK
- Bluetooth range: Approx. 10 m (33 ft)
- USB format: FAT 16, FAT 32
- USB file format: mp3, wma, wav
- Digital input: Bluetooth / USB - 9 BFS
- Input sensitivity (AUX in): 370 mV rms (3.5 mm connector)
- Input sensitivity (Microphone / Guitar input): Mic: 20 mV, Guitar: 100 mV
- Product Dimension (W x H x D): 630 x 332 x 245 mm / 20.87 x 13.07 x 9.65 in
- Packaging Dimension (W x H x D): 630 x 348 x 430 mm / 24.8 x 13.7 x 16.93 in
- Net weight: 7.5 kg / 16.5 lbs
- Gross weight: 15 kg / 33.0 lbs

Wireless microphone spec

- Frequency response: 20 Hz - 20 kHz (+/-1 dB)
- Signal-to-noise (S/N) ratio: > 70 dBA
- UHF frequency band: 470 ~ 806 MHz (depends on SKU)
- Transmitter transmitting power: < 10 mW
- Microphone battery play time: > 10 Hrs
- Distance between transmitter and receiver: > 10 m

NO

- Product name: PartyBox On The Go
- AC power input: 100 - 240 V ~ 50/60 Hz
- Built in Battery: 19 Wh
- Power consumption: 50 W RMS
- Total output power: 100 W
- Standby power consumption: < 2 W with BT connecting;
< 0.5 W without BT connecting
- USB output: 5 V 2.1 A
- Speaker drivers: 5.25 in (133 mm) woofers + 2 x 1.75 in (44 mm) tweeters
- Speaker impedance: 4 Ω
- Signal-to-noise (S/N) ratio: > 90 dBA
- Frequency response: 50 Hz - 20 kHz (-6 dB)
- Battery charge time: < 2.5 Hrs
- Battery play time: > 6 Hrs
- Bluetooth version: 4.2
- Bluetooth profile: A2DP1.3, AVRCP V1.5
- Bluetooth transmitter frequency range: 2.402 - 2480 MHz
- Bluetooth maximum transmitter power: 15 dBm (EIRP)
- Bluetooth transmitter modulation: GFSK, $\pi/4$ DQPSK, 8DPSK
- Bluetooth range: Approx. 10 m (33 ft)
- USB format: FAT 16, FAT 32
- USB file format: mp3, wma, wav
- Digital input: Bluetooth / USB - 9 BFS
- Input sensitivity (AUX in): 370 mV rms (3.5 mm connector)
- Input sensitivity (Microphone / Guitar input): Mic: 20 mV, Guitar: 100 mV
- Product Dimension (W x H x D): 630 x 332 x 245 mm / 20.87 x 13.07 x 9.65 in
- Packaging Dimension (W x H x D): 630 x 348 x 430 mm / 24.8 x 13.7 x 16.93 in
- Net weight: 7.5 kg / 16.5 lbs
- Gross weight: 15 kg / 33.0 lbs

Wireless microphone spec

- Frequency response: 20 Hz - 20 kHz (+/-1 dB)
- Signal-to-noise (S/N) ratio: > 70 dBA
- UHF frequency band: 470 ~ 806 MHz (depends on SKU)
- Transmitter transmitting power: < 10 mW
- Microphone battery play time: > 10 Hrs
- Distance between transmitter and receiver: > 10 m



PL

- Product name: PartyBox On The Go
- AC power input: 100 - 240 V ~ 50/60 Hz
- Built in Battery: 19 Wh
- Power consumption: 50 W RMS
- Total output power: 100 W
- Standby power consumption: < 2 W with BT connecting;
< 0.5 W without BT connecting
- USB output: 5 V 2.1 A
- Speaker drivers: 5.25 in (133 mm) woofers + 2 x 1.75 in (44 mm) tweeters
- Speaker impedance: 4 Ω
- Signal-to-noise (S/N) ratio: > 90 dBA
- Frequency response: 50 Hz - 20 kHz (-6 dB)
- Battery charge time: < 2.5 Hrs
- Battery play time: > 6 Hrs
- Bluetooth version: 4.2
- Bluetooth profile: A2DP1.3, AVRCP V1.5
- Bluetooth transmitter frequency range: 2.402 - 2480 MHz
- Bluetooth maximum transmitter power: 15 dBm (EIRP)
- Bluetooth transmitter modulation: GFSK, $\pi/4$ DQPSK, 8DPSK
- Bluetooth range: Approx. 10 m (33 ft)
- USB format: FAT 16, FAT 32
- USB file format: mp3, wma, wav
- Digital input: Bluetooth / USB - 9 BFS
- Input sensitivity (AUX in): 370 mV rms (3.5 mm connector)
- Input sensitivity (Microphone / Guitar input): Mic: 20 mV, Guitar: 100 mV
- Product Dimension (W x H x D): 630 x 332 x 245 mm / 20.87 x 13.07 x 9.65 in
- Packaging Dimension (W x H x D): 630 x 348 x 430 mm / 24.8 x 13.7 x 16.93 in
- Net weight: 7.5 kg / 16.5 lbs
- Gross weight: 15 kg / 33.0 lbs

Wireless microphone spec

- Frequency response: 20 Hz - 20 kHz (+/-1 dB)
- Signal-to-noise (S/N) ratio: > 70 dBA
- UHF frequency band: 470 ~ 806 MHz (depends on SKU)
- Transmitter transmitting power: < 10 mW
- Microphone battery play time: > 10 Hrs
- Distance between transmitter and receiver: > 10 m

PT-BR

- Product name: PartyBox On The Go
- AC power input: 100 - 240 V ~ 50/60 Hz
- Built in Battery: 19 Wh
- Power consumption: 50 W RMS
- Total output power: 100 W
- Standby power consumption: < 2 W with BT connecting;
< 0.5 W without BT connecting
- USB output: 5 V 2.1 A
- Speaker drivers: 5.25 in (133 mm) woofers + 2 x 1.75 in (44 mm) tweeters
- Speaker impedance: 4 Ω
- Signal-to-noise (S/N) ratio: > 90 dBA
- Frequency response: 50 Hz - 20 kHz (-6 dB)
- Battery charge time: < 2.5 Hrs
- Battery play time: > 6 Hrs
- Bluetooth version: 4.2
- Bluetooth profile: A2DP1.3, AVRCP V1.5
- Bluetooth transmitter frequency range: 2.402 - 2480 MHz
- Bluetooth maximum transmitter power: 15 dBm (EIRP)
- Bluetooth transmitter modulation: GFSK, $\pi/4$ DQPSK, 8DPSK
- Bluetooth range: Approx. 10 m (33 ft)
- USB format: FAT 16, FAT 32
- USB file format: mp3, wma, wav
- Digital input: Bluetooth / USB - 9 BFS
- Input sensitivity (AUX in): 370 mV rms (3.5 mm connector)
- Input sensitivity (Microphone / Guitar input): Mic: 20 mV, Guitar: 100 mV
- Product Dimension (W x H x D): 630 x 332 x 245 mm / 20.87 x 13.07 x 9.65 in
- Packaging Dimension (W x H x D): 630 x 348 x 430 mm / 24.8 x 13.7 x 16.93 in
- Net weight: 7.5 kg / 16.5 lbs
- Gross weight: 15 kg / 33.0 lbs

Wireless microphone spec

- Frequency response: 20 Hz - 20 kHz (+/-1 dB)
- Signal-to-noise (S/N) ratio: > 70 dBA
- UHF frequency band: 470 ~ 806 MHz (depends on SKU)
- Transmitter transmitting power: < 10 mW
- Microphone battery play time: > 10 Hrs
- Distance between transmitter and receiver: > 10 m



SV

- Product name: PartyBox On The Go
- AC power input: 100 - 240 V ~ 50/60 Hz
- Built in Battery: 19 Wh
- Power consumption: 50 W RMS
- Total output power: 100 W
- Standby power consumption: < 2 W with BT connecting;
< 0.5 W without BT connecting
- USB output: 5 V 2.1 A
- Speaker drivers: 5.25 in (133 mm) woofers + 2 x 1.75 in (44 mm) tweeters
- Speaker impedance: 4 Ω
- Signal-to-noise (S/N) ratio: > 90 dBA
- Frequency response: 50 Hz - 20 kHz (-6 dB)
- Battery charge time: < 2.5 Hrs
- Battery play time: > 6 Hrs
- Bluetooth version: 4.2
- Bluetooth profile: A2DP1.3, AVRCP V1.5
- Bluetooth transmitter frequency range: 2.402 - 2480 MHz
- Bluetooth maximum transmitter power: 15 dBm (EIRP)
- Bluetooth transmitter modulation: GFSK, $\pi/4$ DQPSK, 8DPSK
- Bluetooth range: Approx. 10 m (33 ft)
- USB format: FAT 16, FAT 32
- USB file format: mp3, wma, wav
- Digital input: Bluetooth / USB - 9 BFS
- Input sensitivity (AUX in): 370 mV rms (3.5 mm connector)
- Input sensitivity (Microphone / Guitar input): Mic: 20 mV, Guitar: 100 mV
- Product Dimension (W x H x D): 530 x 332 x 245 mm / 20.87 x 13.07 x 9.65 in
- Packaging Dimension (W x H x D): 630 x 348 x 430 mm / 24.8 x 13.7 x 16.93 in
- Net weight: 7.5 kg / 16.5 lbs
- Gross weight: 15 kg / 33.0 lbs

Wireless microphone spec

- Frequency response: 20 Hz - 20 kHz (+/-1 dB)
- Signal-to-noise (S/N) ratio: > 70 dBA
- UHF frequency band: 470 ~ 806 MHz (depends on SKU)
- Transmitter transmitting power: < 10 mW
- Microphone battery play time: > 10 Hrs
- Distance between transmitter and receiver: > 10 m

SK

- Product name: PartyBox On The Go
- AC power input: 100 - 240 V ~ 50/60 Hz
- Built in Battery: 19 Wh
- Power consumption: 50 W RMS
- Total output power: 100 W
- Standby power consumption: < 2 W with BT connecting;
< 0.5 W without BT connecting
- USB output: 5 V 2.1 A
- Speaker drivers: 5.25 in (133 mm) woofers + 2 x 1.75 in (44 mm) tweeters
- Speaker impedance: 4 Ω
- Signal-to-noise (S/N) ratio: > 90 dBA
- Frequency response: 50 Hz - 20 kHz (-6 dB)
- Battery charge time: < 2.5 Hrs
- Battery play time: > 6 Hrs
- Bluetooth version: 4.2
- Bluetooth profile: A2DP1.3, AVRCP V1.5
- Bluetooth transmitter frequency range: 2.402 - 2480 MHz
- Bluetooth maximum transmitter power: 15 dBm (EIRP)
- Bluetooth transmitter modulation: GFSK, $\pi/4$ DQPSK, 8DPSK
- Bluetooth range: Approx. 10 m (33 ft)
- USB format: FAT 16, FAT 32
- USB file format: mp3, wma, wav
- Digital input: Bluetooth / USB - 9 BFS
- Input sensitivity (AUX in): 370 mV rms (3.5 mm connector)
- Input sensitivity (Microphone / Guitar input): Mic: 20 mV, Guitar: 100 mV
- Product Dimension (W x H x D): 530 x 332 x 245 mm / 20.87 x 13.07 x 9.65 in
- Packaging Dimension (W x H x D): 630 x 348 x 430 mm / 24.8 x 13.7 x 16.93 in
- Net weight: 7.5 kg / 16.5 lbs
- Gross weight: 15 kg / 33.0 lbs

Wireless microphone spec

- Frequency response: 20 Hz - 20 kHz (+/-1 dB)
- Signal-to-noise (S/N) ratio: > 70 dBA
- UHF frequency band: 470 ~ 806 MHz (depends on SKU)
- Transmitter transmitting power: < 10 mW
- Microphone battery play time: > 10 Hrs
- Distance between transmitter and receiver: > 10 m



TR

- Product name: PartyBox On The Go
- AC power input: 100 - 240 V ~ 50/60 Hz
- Built in Battery: 19 Wh
- Power consumption: 50 W RMS
- Total output power: 100 W
- Standby power consumption: < 2 W with BT connecting;
< 0.5 W without BT connecting
- USB output: 5 V 2.1 A
- Speaker drivers: 5.25 in (133 mm) woofers + 2 x 1.75 in (44 mm) tweeters
- Speaker impedance: 4 Ω
- Signal-to-noise (S/N) ratio: > 90 dBA
- Frequency response: 50 Hz - 20 kHz (-6 dB)
- Battery charge time: < 2.5 Hrs
- Battery play time: > 6 Hrs
- Bluetooth version: 4.2
- Bluetooth profile: A2DP1.3, AVRCP V1.5
- Bluetooth transmitter frequency range: 2.402 - 2480 MHz
- Bluetooth maximum transmitter power: 15 dBm (EIRP)
- Bluetooth transmitter modulation: GFSK, $\pi/4$ DQPSK, 8DPSK
- Bluetooth range: Approx. 10 m (33 ft)
- USB format: FAT 16, FAT 32
- USB file format: mp3, wma, wav
- Digital input: Bluetooth / USB - 9 BFS
- Input sensitivity (AUX in): 370 mV rms (3.5 mm connector)
- Input sensitivity (Microphone / Guitar input): Mic: 20 mV, Guitar: 100 mV
- Product Dimension (W x H x D): 530 x 332 x 245 mm / 20.87 x 13.07 x 9.65 in
- Packaging Dimension (W x H x D): 630 x 348 x 430 mm / 24.8 x 13.7 x 16.93 in
- Net weight: 7.5 kg / 16.5 lbs
- Gross weight: 15 kg / 33.0 lbs

Wireless microphone spec

- Frequency response: 20 Hz - 20 kHz (+/- 1 dB)
- Signal-to-noise (S/N) ratio: > 70 dBA
- UHF frequency band: 470 ~ 806 MHz (depends on SKU)
- Transmitter transmitting power: < 10 mW
- Microphone battery play time: > 10 Hrs
- Distance between transmitter and receiver: > 10 m

RU

- Product name: PartyBox On The Go
- AC power input: 100 - 240 V ~ 50/60 Hz
- Built in Battery: 19 Wh
- Power consumption: 50 W RMS
- Total output power: 100 W
- Standby power consumption: < 2 W with BT connecting;
< 0.5 W without BT connecting
- USB output: 5 V 2.1 A
- Speaker drivers: 5.25 in (133 mm) woofers + 2 x 1.75 in (44 mm) tweeters
- Speaker impedance: 4 Ω
- Signal-to-noise (S/N) ratio: > 90 dBA
- Frequency response: 50 Hz - 20 kHz (-6 dB)
- Battery charge time: < 2.5 Hrs
- Battery play time: > 6 Hrs
- Bluetooth version: 4.2
- Bluetooth profile: A2DP1.3, AVRCP V1.5
- Bluetooth transmitter frequency range: 2.402 - 2480 MHz
- Bluetooth maximum transmitter power: 15 dBm (EIRP)
- Bluetooth transmitter modulation: GFSK, $\pi/4$ DQPSK, 8DPSK
- Bluetooth range: Approx. 10 m (33 ft)
- USB format: FAT 16, FAT 32
- USB file format: mp3, wma, wav
- Digital input: Bluetooth / USB - 9 BFS
- Input sensitivity (AUX in): 370 mV rms (3.5 mm connector)
- Input sensitivity (Microphone / Guitar input): Mic: 20 mV, Guitar: 100 mV
- Product Dimension (W x H x D): 530 x 332 x 245 mm / 20.87 x 13.07 x 9.65 in
- Packaging Dimension (W x H x D): 630 x 348 x 430 mm / 24.8 x 13.7 x 16.93 in
- Net weight: 7.5 kg / 16.5 lbs
- Gross weight: 15 kg / 33.0 lbs

Wireless microphone spec

- Frequency response: 20 Hz - 20 kHz (+/- 1 dB)
- Signal-to-noise (S/N) ratio: > 70 dBA
- UHF frequency band: 470 ~ 806 MHz (depends on SKU)
- Transmitter transmitting power: < 10 mW
- Microphone battery play time: > 10 Hrs
- Distance between transmitter and receiver: > 10 m



UK

- Product name: PartyBox On The Go
- AC power input: 100 - 240 V ~ 50/60 Hz
- Built in Battery: 19 Wh
- Power consumption: 50 W RMS
- Total output power: 100 W
- Standby power consumption: < 2 W with BT connecting;
< 0.5 W without BT connecting
- USB output: 5 V 2.1 A
- Speaker drivers: 5.25 in (133 mm) woofers + 2 x 1.75 in (44 mm) tweeters
- Speaker impedance: 4 Ω
- Signal-to-noise (S/N) ratio: > 90 dBA
- Frequency response: 50 Hz - 20 kHz (-6 dB)
- Battery charge time: < 2.5 Hrs
- Battery play time: > 6 Hrs
- Bluetooth version: 4.2
- Bluetooth profile: A2DP1.3, AVRCP V1.5
- Bluetooth transmitter frequency range: 2.402 - 2480 MHz
- Bluetooth maximum transmitter power: 15 dBm (EIRP)
- Bluetooth transmitter modulation: GFSK, $\pi/4$ DQPSK, 8DPSK
- Bluetooth range: Approx. 10 m (33 ft)
- USB format: FAT 16, FAT 32
- USB file format: mp3, wma, wav
- Digital input: Bluetooth / USB - 9 BFS
- Input sensitivity (AUX in): 370 mV rms (3.5 mm connector)
- Input sensitivity (Microphone / Guitar input): Mic: 20 mV, Guitar: 100 mV
- Product Dimension (W x H x D): 530 x 332 x 245 mm / 20.87 x 13.07 x 9.65 in
- Packaging Dimension (W x H x D): 630 x 348 x 430 mm / 24.8 x 13.7 x 16.93 in
- Net weight: 7.5 kg / 16.5 lbs
- Gross weight: 15 kg / 33.0 lbs

Wireless microphone spec

- Frequency response: 20 Hz - 20 kHz (+/-1 dB)
- Signal-to-noise (S/N) ratio: > 70 dBA
- UHF frequency band: 470 ~ 806 MHz (depends on SKU)
- Transmitter transmitting power: < 10 mW
- Microphone battery play time: > 10 Hrs
- Distance between transmitter and receiver: > 10 m

ZH-CN

- Product name: PartyBox On The Go
- AC power input: 100 - 240 V ~ 50/60 Hz
- Built in Battery: 19 Wh
- Power consumption: 50 W RMS
- Total output power: 100 W
- Standby power consumption: < 2 W with BT connecting;
< 0.5 W without BT connecting
- USB output: 5 V 2.1 A
- Speaker drivers: 5.25 in (133 mm) woofers + 2 x 1.75 in (44 mm) tweeters
- Speaker impedance: 4 Ω
- Signal-to-noise (S/N) ratio: > 90 dBA
- Frequency response: 50 Hz - 20 kHz (-6 dB)
- Battery charge time: < 2.5 Hrs
- Battery play time: > 6 Hrs
- Bluetooth version: 4.2
- Bluetooth profile: A2DP1.3, AVRCP V1.5
- Bluetooth transmitter frequency range: 2.402 - 2480 MHz
- Bluetooth maximum transmitter power: 15 dBm (EIRP)
- Bluetooth transmitter modulation: GFSK, $\pi/4$ DQPSK, 8DPSK
- Bluetooth range: Approx. 10 m (33 ft)
- USB format: FAT 16, FAT 32
- USB file format: mp3, wma, wav
- Digital input: Bluetooth / USB - 9 BFS
- Input sensitivity (AUX in): 370 mV rms (3.5 mm connector)
- Input sensitivity (Microphone / Guitar input): Mic: 20 mV, Guitar: 100 mV
- Product Dimension (W x H x D): 530 x 332 x 245 mm / 20.87 x 13.07 x 9.65 in
- Packaging Dimension (W x H x D): 630 x 348 x 430 mm / 24.8 x 13.7 x 16.93 in
- Net weight: 7.5 kg / 16.5 lbs
- Gross weight: 15 kg / 33.0 lbs

Wireless microphone spec

- Frequency response: 20 Hz - 20 kHz (+/-1 dB)
- Signal-to-noise (S/N) ratio: > 70 dBA
- UHF frequency band: 470 ~ 806 MHz (depends on SKU)
- Transmitter transmitting power: < 10 mW
- Microphone battery play time: > 10 Hrs
- Distance between transmitter and receiver: > 10 m



ZH-TW

- Product name: PartyBox On The Go
- AC power input: 100 - 240 V ~ 50/60 Hz
- Built in Battery: 19 Wh
- Power consumption: 50 W RMS
- Total output power: 100 W
- Standby power consumption: < 2 W with BT connecting;
< 0.5 W without BT connecting
- USB output: 5 V 2.1 A
- Speaker drivers: 5.25 in (133 mm) woofers + 2 x 1.75 in (44 mm) tweeters
- Speaker impedance: 4 Ω
- Signal-to-noise (S/N) ratio: > 90 dBA
- Frequency response: 50 Hz - 20 kHz (-6 dB)
- Battery charge time: < 2.5 Hrs
- Battery play time: > 6 Hrs
- Bluetooth version: 4.2
- Bluetooth profile: A2DP1.3, AVRCP V1.5
- Bluetooth transmitter frequency range: 2.402 - 2480 MHz
- Bluetooth maximum transmitter power: 15 dBm (EIRP)
- Bluetooth transmitter modulation: GFSK, $\pi/4$ DQPSK, 8DPSK
- Bluetooth range: Approx. 10 m (33 ft)
- USB format: FAT 16, FAT 32
- USB file format: mp3, wma, wav
- Digital input: Bluetooth / USB - 9 BFS
- Input sensitivity (AUX in): 370 mV rms (3.5 mm connector)
- Input sensitivity (Microphone / Guitar input): Mic: 20 mV, Guitar: 100 mV
- Product Dimension (W x H x D): 630 x 332 x 245 mm / 20.87 x 13.07 x 9.65 in
- Packaging Dimension (W x H x D): 630 x 348 x 430 mm / 24.8 x 13.7 x 16.93 in
- Net weight: 7.5 kg / 16.5 lbs
- Gross weight: 15 kg / 33.0 lbs

Wireless microphone spec

- Frequency response: 20 Hz - 20 kHz (+/-1 dB)
- Signal-to-noise (S/N) ratio: > 70 dBA
- UHF frequency band: 470 ~ 806 MHz (depends on SKU)
- Transmitter transmitting power: < 10 mW
- Microphone battery play time: > 10 Hrs
- Distance between transmitter and receiver: > 10 m

ID

- Product name: PartyBox On The Go
- AC power input: 100 - 240 V ~ 50/60 Hz
- Built in Battery: 19 Wh
- Power consumption: 50 W RMS
- Total output power: 100 W
- Standby power consumption: < 2 W with BT connecting;
< 0.5 W without BT connecting
- USB output: 5 V 2.1 A
- Speaker drivers: 5.25 in (133 mm) woofers + 2 x 1.75 in (44 mm) tweeters
- Speaker impedance: 4 Ω
- Signal-to-noise (S/N) ratio: > 90 dBA
- Frequency response: 50 Hz - 20 kHz (-6 dB)
- Battery charge time: < 2.5 Hrs
- Battery play time: > 6 Hrs
- Bluetooth version: 4.2
- Bluetooth profile: A2DP1.3, AVRCP V1.5
- Bluetooth transmitter frequency range: 2.402 - 2480 MHz
- Bluetooth maximum transmitter power: 15 dBm (EIRP)
- Bluetooth transmitter modulation: GFSK, $\pi/4$ DQPSK, 8DPSK
- Bluetooth range: Approx. 10 m (33 ft)
- USB format: FAT 16, FAT 32
- USB file format: mp3, wma, wav
- Digital input: Bluetooth / USB - 9 BFS
- Input sensitivity (AUX in): 370 mV rms (3.5 mm connector)
- Input sensitivity (Microphone / Guitar input): Mic: 20 mV, Guitar: 100 mV
- Product Dimension (W x H x D): 630 x 332 x 245 mm / 20.87 x 13.07 x 9.65 in
- Packaging Dimension (W x H x D): 630 x 348 x 430 mm / 24.8 x 13.7 x 16.93 in
- Net weight: 7.5 kg / 16.5 lbs
- Gross weight: 15 kg / 33.0 lbs

Wireless microphone spec

- Frequency response: 20 Hz - 20 kHz (+/-1 dB)
- Signal-to-noise (S/N) ratio: > 70 dBA
- UHF frequency band: 470 ~ 806 MHz (depends on SKU)
- Transmitter transmitting power: < 10 mW
- Microphone battery play time: > 10 Hrs
- Distance between transmitter and receiver: > 10 m



JP

- Product name: PartyBox On The Go
- AC power input: 100 - 240 V ~ 50/60 Hz
- Built in Battery: 19 Wh
- Power consumption: 50 W RMS
- Total output power: 100 W
- Standby power consumption: < 2 W with BT connecting;
< 0.5 W without BT connecting
- USB output: 5 V 2.1 A
- Speaker drivers: 5.25 in (133 mm) woofers + 2 x 1.75 in (44 mm) tweeters
- Speaker impedance: 4 Ω
- Signal-to-noise (S/N) ratio: > 90 dBA
- Frequency response: 50 Hz - 20 kHz (-6 dB)
- Battery charge time: < 2.5 Hrs
- Battery play time: > 6 Hrs
- Bluetooth version: 4.2
- Bluetooth profile: A2DP1.3, AVRCP V1.5
- Bluetooth transmitter frequency range: 2.402 - 2480 MHz
- Bluetooth maximum transmitter power: 15 dBm (EIRP)
- Bluetooth transmitter modulation: GFSK, $\pi/4$ DQPSK, 8DPSK
- Bluetooth range: Approx. 10 m (33 ft)
- USB format: FAT 16, FAT 32
- USB file format: mp3, wma, wav
- Digital input: Bluetooth / USB - 9 BFS
- Input sensitivity (AUX in): 370 mV rms (3.5 mm connector)
- Input sensitivity (Microphone / Guitar input): Mic: 20 mV, Guitar: 100 mV
- Product Dimension (W x H x D): 630 x 332 x 245 mm / 20.87 x 13.07 x 9.65 in
- Packaging Dimension (W x H x D): 630 x 348 x 430 mm / 24.8 x 13.7 x 16.93 in
- Net weight: 7.5 kg / 16.5 lbs
- Gross weight: 15 kg / 33.0 lbs

Wireless microphone spec

- Frequency response: 20 Hz - 20 kHz (+/-1 dB)
- Signal-to-noise (S/N) ratio: > 70 dBA
- UHF frequency band: 470 ~ 806 MHz (depends on SKU)
- Transmitter transmitting power: < 10 mW
- Microphone battery play time: > 10 Hrs
- Distance between transmitter and receiver: > 10 m

KO

- Product name: PartyBox On The Go
- AC power input: 100 - 240 V ~ 50/60 Hz
- Built in Battery: 19 Wh
- Power consumption: 50 W RMS
- Total output power: 100 W
- Standby power consumption: < 2 W with BT connecting;
< 0.5 W without BT connecting
- USB output: 5 V 2.1 A
- Speaker drivers: 5.25 in (133 mm) woofers + 2 x 1.75 in (44 mm) tweeters
- Speaker impedance: 4 Ω
- Signal-to-noise (S/N) ratio: > 90 dBA
- Frequency response: 50 Hz - 20 kHz (-6 dB)
- Battery charge time: < 2.5 Hrs
- Battery play time: > 6 Hrs
- Bluetooth version: 4.2
- Bluetooth profile: A2DP1.3, AVRCP V1.5
- Bluetooth transmitter frequency range: 2.402 - 2480 MHz
- Bluetooth maximum transmitter power: 15 dBm (EIRP)
- Bluetooth transmitter modulation: GFSK, $\pi/4$ DQPSK, 8DPSK
- Bluetooth range: Approx. 10 m (33 ft)
- USB format: FAT 16, FAT 32
- USB file format: mp3, wma, wav
- Digital input: Bluetooth / USB - 9 BFS
- Input sensitivity (AUX in): 370 mV rms (3.5 mm connector)
- Input sensitivity (Microphone / Guitar input): Mic: 20 mV, Guitar: 100 mV
- Product Dimension (W x H x D): 630 x 332 x 245 mm / 20.87 x 13.07 x 9.65 in
- Packaging Dimension (W x H x D): 630 x 348 x 430 mm / 24.8 x 13.7 x 16.93 in
- Net weight: 7.5 kg / 16.5 lbs
- Gross weight: 15 kg / 33.0 lbs

Wireless microphone spec

- Frequency response: 20 Hz - 20 kHz (+/-1 dB)
- Signal-to-noise (S/N) ratio: > 70 dBA
- UHF frequency band: 470 ~ 806 MHz (depends on SKU)
- Transmitter transmitting power: < 10 mW
- Microphone battery play time: > 10 Hrs
- Distance between transmitter and receiver: > 10 m



AR

- Product name: PartyBox On The Go
- AC power input: 100 - 240 V ~ 50/60 Hz
- Built in Battery: 19 Wh
- Power consumption: 50 W RMS
- Total output power: 100 W
- Standby power consumption: < 2 W with BT connecting;
< 0.5 W without BT connecting
- USB output: 5 V 2.1 A
- Speaker drivers: 5.25 in (133 mm) woofers + 2 x 1.75 in (44 mm) tweeters
- Speaker impedance: 4 Ω
- Signal-to-noise (S/N) ratio: > 90 dBA
- Frequency response: 50 Hz - 20 kHz (-6 dB)
- Battery charge time: < 2.5 Hrs
- Battery play time: > 6 Hrs
- Bluetooth version: 4.2
- Bluetooth profile: A2DP1.3, AVRCP V1.5
- Bluetooth transmitter frequency range: 2.402 - 2480 MHz
- Bluetooth maximum transmitter power: 15 dBm (EIRP)
- Bluetooth transmitter modulation: GFSK, $\pi/4$ DQPSK, 8DPSK
- Bluetooth range: Approx. 10 m (33 ft)
- USB format: FAT 16, FAT 32
- USB file format: mp3, wma, wav
- Digital input: Bluetooth / USB - 9 BFS
- Input sensitivity (AUX in): 370 mV rms (3.5 mm connector)
- Input sensitivity (Microphone / Guitar input): Mic: 20 mV, Guitar: 100 mV
- Product Dimension (W x H x D): 630 x 332 x 245 mm / 20.87 x 13.07 x 9.65 in
- Packaging Dimension (W x H x D): 630 x 348 x 430 mm / 24.8 x 13.7 x 16.93 in
- Net weight: 7.5 kg / 16.5 lbs
- Gross weight: 15 kg / 33.0 lbs

Wireless microphone spec

- Frequency response: 20 Hz - 20 kHz (+/-1 dB)
- Signal-to-noise (S/N) ratio: > 70 dBA
- UHF frequency band: 470 ~ 806 MHz (depends on SKU)
- Transmitter transmitting power: < 10 mW
- Microphone battery play time: > 10 Hrs
- Distance between transmitter and receiver: > 10 m

HE

- Product name: PartyBox On The Go
- AC power input: 100 - 240 V ~ 50/60 Hz
- Built in Battery: 19 Wh
- Power consumption: 50 W RMS
- Total output power: 100 W
- Standby power consumption: < 2 W with BT connecting;
< 0.5 W without BT connecting
- USB output: 5 V 2.1 A
- Speaker drivers: 5.25 in (133 mm) woofers + 2 x 1.75 in (44 mm) tweeters
- Speaker impedance: 4 Ω
- Signal-to-noise (S/N) ratio: > 90 dBA
- Frequency response: 50 Hz - 20 kHz (-6 dB)
- Battery charge time: < 2.5 Hrs
- Battery play time: > 6 Hrs
- Bluetooth version: 4.2
- Bluetooth profile: A2DP1.3, AVRCP V1.5
- Bluetooth transmitter frequency range: 2.402 - 2480 MHz
- Bluetooth maximum transmitter power: 15 dBm (EIRP)
- Bluetooth transmitter modulation: GFSK, $\pi/4$ DQPSK, 8DPSK
- Bluetooth range: Approx. 10 m (33 ft)
- USB format: FAT 16, FAT 32
- USB file format: mp3, wma, wav
- Digital input: Bluetooth / USB - 9 BFS
- Input sensitivity (AUX in): 370 mV rms (3.5 mm connector)
- Input sensitivity (Microphone / Guitar input): Mic: 20 mV, Guitar: 100 mV
- Product Dimension (W x H x D): 630 x 332 x 245 mm / 20.87 x 13.07 x 9.65 in
- Packaging Dimension (W x H x D): 630 x 348 x 430 mm / 24.8 x 13.7 x 16.93 in
- Net weight: 7.5 kg / 16.5 lbs
- Gross weight: 15 kg / 33.0 lbs

Wireless microphone spec

- Frequency response: 20 Hz - 20 kHz (+/-1 dB)
- Signal-to-noise (S/N) ratio: > 70 dBA
- UHF frequency band: 470 ~ 806 MHz (depends on SKU)
- Transmitter transmitting power: < 10 mW
- Microphone battery play time: > 10 Hrs
- Distance between transmitter and receiver: > 10 m



Este equipamento não tem direito à proteção contra interferência prejudicial e não pode causar interferência em sistemas devidamente autorizados.

Para maiores informações, consulte o site da ANATEL – www.anatel.gov.br

Este produto está homologado pela ANATEL, de acordo com os procedimentos regulamentados pela Resolução nº. 242/2000 e atende aos requisitos técnicos aplicados.



The Bluetooth® word mark and logos are registered trademarks owned by the Bluetooth SIG, Inc. and any use of such marks by HARMAN International Industries, Incorporated is under license. Other trademarks and trade names are those of their respective owners.

Note: The product is in compliance with the European Union energy legislation.

1) Bluetooth connection mode

The product is intended to be used for streaming music via Bluetooth connection. A consumer can stream Bluetooth audio to the speaker. When the product is connected through Bluetooth, the Bluetooth connection must remain active at all times to ensure proper operation.

The product will enter into sleep mode (networked standby), after 20 minutes without operation, the power consumption @ sleep is less than 2.0 Watts, after which it can be re-activated via Bluetooth connection.

2) Bluetooth disconnection mode

The product will enter into standby mode, after 20 minutes without operation, the power consumption @ standby is less than 0.5 Watts.

This device operates on a no-interference, no-protection basis. Should the user seek to obtain protection from other radio services operating in the same TV bands, a radio licence is required. For further details, consult Innovation, Science and Economic Development Canada's Client Procedures Circular CPC-2-1-28, Voluntary Licensing of Licence-Exempt Wireless Microphones in the TV Bands.

Ce dispositif fonctionne selon un régime de non-brouillage et de non-protection. Si l'utilisateur devait chercher à obtenir une certaine protection contre d'autres services radio fonctionnant dans les mêmes bandes de télévision, une licence radio serait requise. Pour en savoir plus, veuillez consulter la Circulaire des procédures concernant les clients CPC-2-1-28, Délivrance de licences sur une base volontaire pour les appareils radio de faible puissance exempts de licence et exploités dans les bandes de télévision d'Innovation, Sciences et Développement économique Canada.

Types of antennas:

Spring antenna, maximum PK gain: -4.15 dBi

America:

6A: 657.027 MHz-659.027 MHz

6B: 659.427 MHz-661.427 MHz

Europe:

6A: 657.027 MHz-659.027 MHz

6B: 659.427 MHz-661.427 MHz

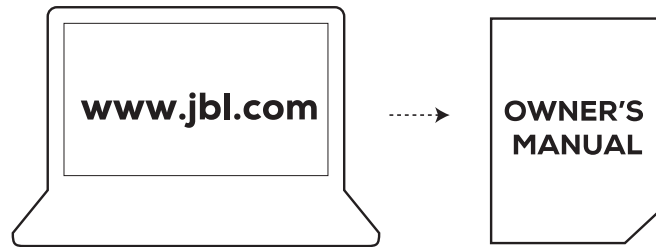
Торговая марка: JBL
Назначение товара: Активная акустическая система
Изготовитель: Харман Интернешнл Индастриз Инкорпорейтед, США, 06901 Коннектикут, г.Стамфорд, Атлантик Стрит 400, офис 1500
Страна происхождения: Китай
Импортер в Россию: ООО "ХАРМАН РУС СиАйЭс", Россия, 127018, г.Москва, ул. Двинцев, д.12, к 1
Гарантийный период: 1 год
Информация о сервисных центрах: www.harman.com/ru тел. +7-800-700-0467
Срок службы: 5 лет

Товар сертифицирован

Дата производства:



Дата изготовления устройства определяется по двум буквенным обозначениям из второй группы символов серийного номера изделия, следующих после разделительного знака «-». Кодировка соответствует порядку букв латинского алфавита, начиная с января 2010 года: 000000-МУ0000000, где «М» - месяц производства (А - январь, В - февраль, С - март и т.д.) и «У» - год производства (А - 2010, В - 2011, С - 2012 и т.д.).



CH_JBL_PartyBox GO_QSG_DV2_V5

