



REMOTE

Model No.: LINK BAR RC



MATERIAL: PAD PRINTING
COLOUR: Cool Grey 6C
FINISHING: MATTE



MATERIAL: PAD PRINTING
COLOUR: Cool Grey 9C
FINISHING: MATTE



MATERIAL: PAD PRINTING
COLOUR: Transparent
FINISHING: High-glossy Coating


LED Light

Lighting Color: White

Netflix Button

Matt
Plastic

426C

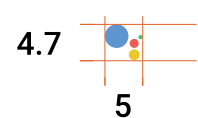
1.85  6.8 **Netflix Icon**
Color: Pantone 485C

Navi Button & circle

Plastic
High-glossy
426C

Google voice button

Plastic
Matte
426C



logo:

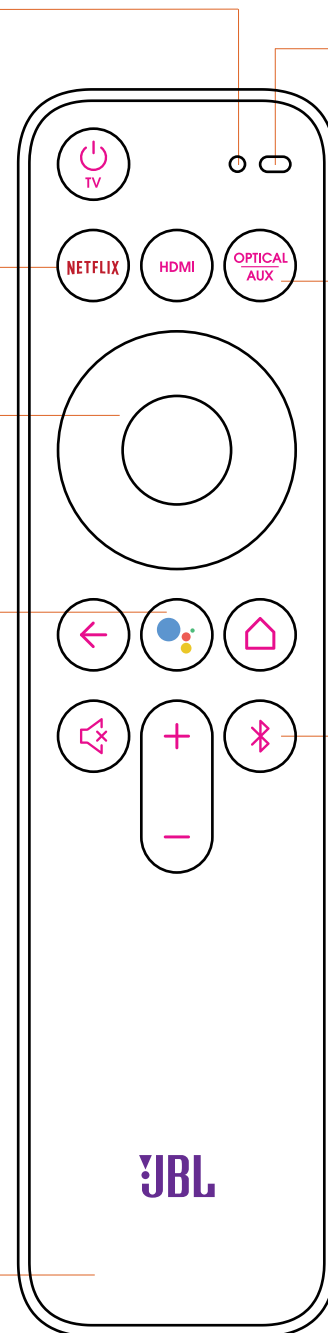
Print
refer to Link10/20
color:

Google Blue #4285F4 66, 133, 244 Pantone 285C	Google Red #DB4437 219, 68, 55 Pantone 1788C	Google Yellow #F4B400 244, 180, 0 Pantone 116C	Google Green #0F9D58 15, 157, 88 Pantone 340C
---	--	--	---

Top Housing

Plastic
Matte
426C

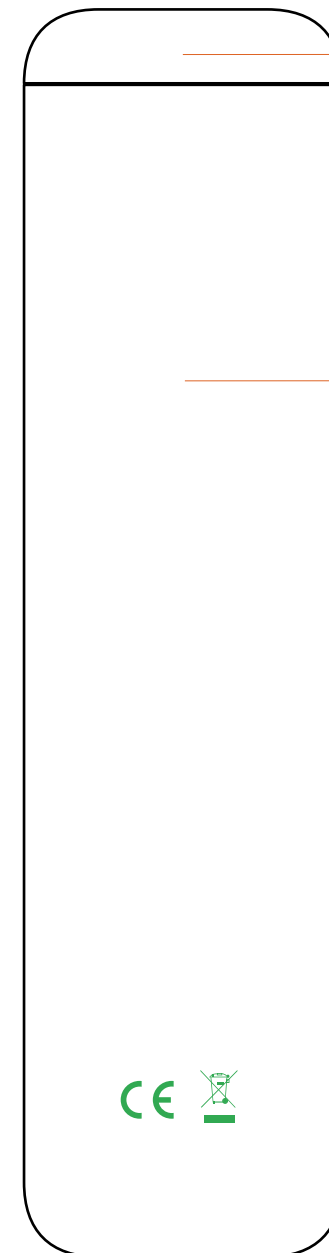
VDI 21 finish



Mic

Buttons

Plastic
Matte
426C



Signal receiver lens

Plastic
High-glossy
426C

Back Housing & Battery cover

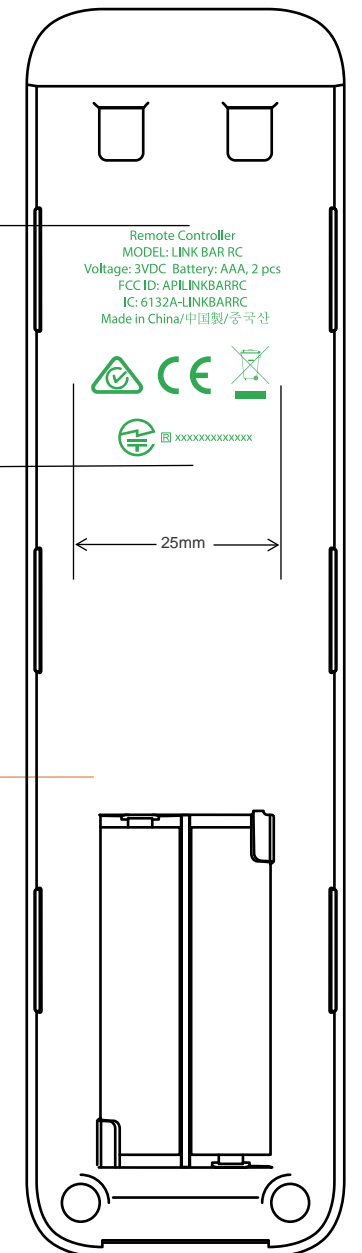
Plastic
Matte
426C

VDI21 finish

Under Battery cover Housing

Plastic
Matte
426C

VDI 21 finish



30mm

Remote Controller
MODEL: LINK BAR RC
Voltage: 3VDC Battery: AAA, 2 pcs
FCC ID: APLINKBARRC
IC: 6132A-LINKBARRC
Made in China/中国製/중국산

25mm

Note: Add weight to **90g** in total with batteries.