

深圳市得辉达智能科技有限公司

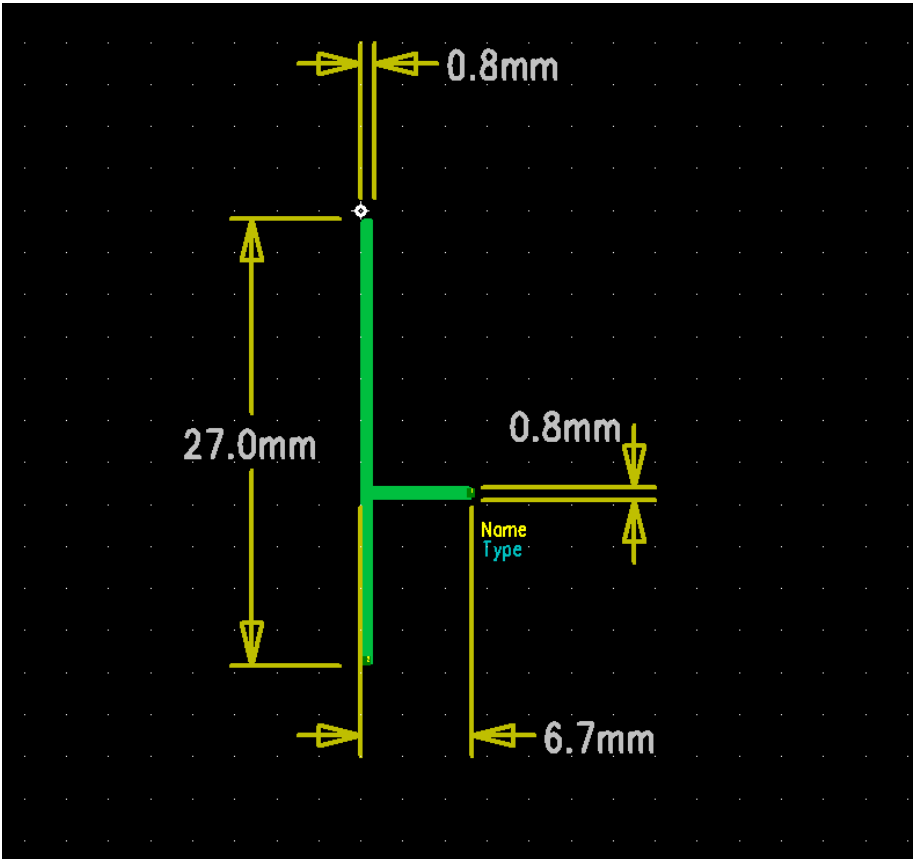
Antenna describe

1. Antenna describe :

Antenna plate	PCB Antenna
Make name/model name	G04D
Antenna gain	2.66dBi
Frequency range	2.4GHZ-2.483GHZ
Connector type	direct
Location of mearement (company name)	Cheerchip Electronic Technology (SH) .CO., LTD

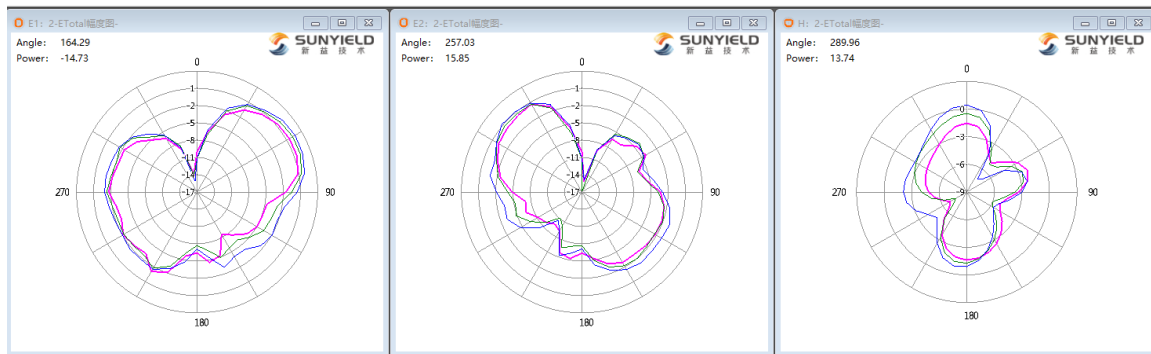
2. External view drawing:

Picture of antenna

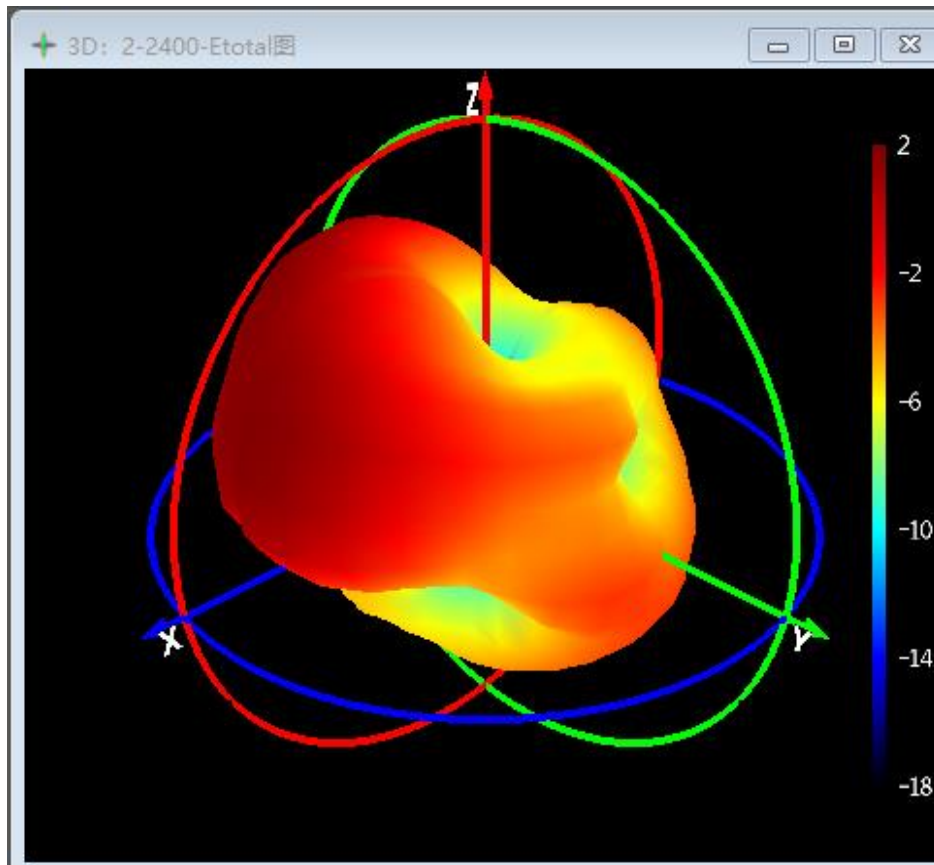


3. Antenna Radiation Pattern

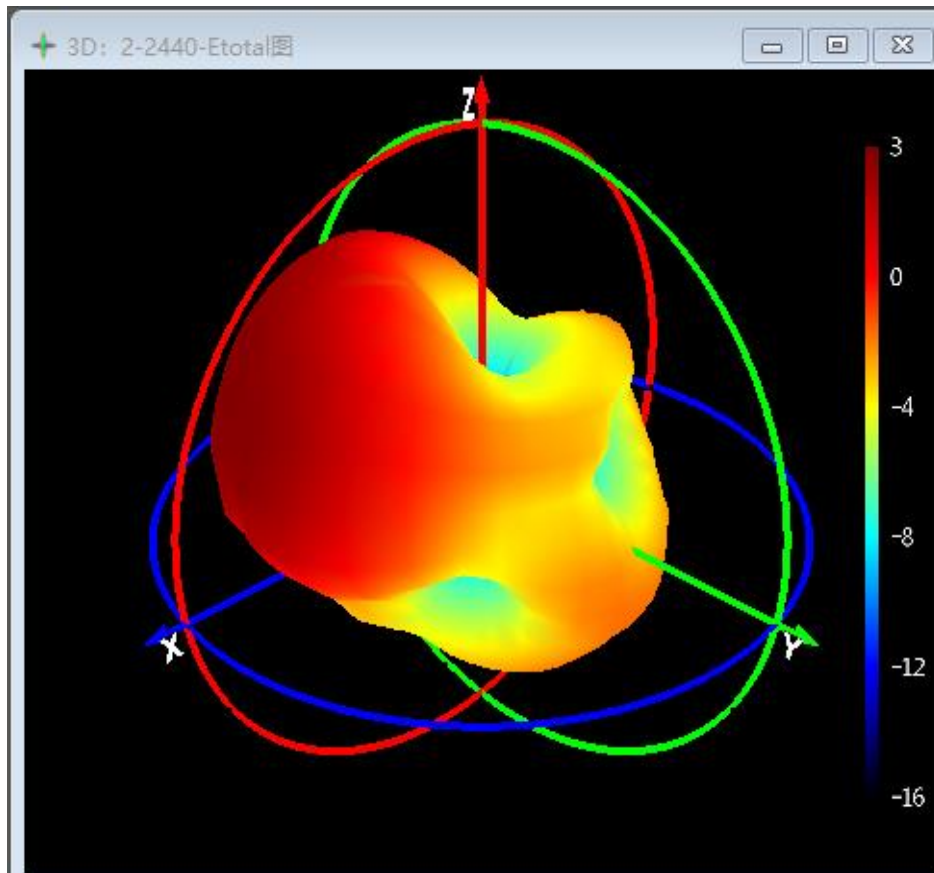
频率 (MHz)	增益 (dBi)
2400	1.78
2410	1.78
2420	1.91
2430	2.08
2440	2.22
2450	2.39
2460	2.56
2470	2.63
2480	2.66
2490	2.65
2500	2.56



Radiation @2.402GHZ Gain:1.78dBi



Radiation @2.440GHZ Gain:2.22dBi



Radiation @2.480GHZ Gain:2.66dBi

