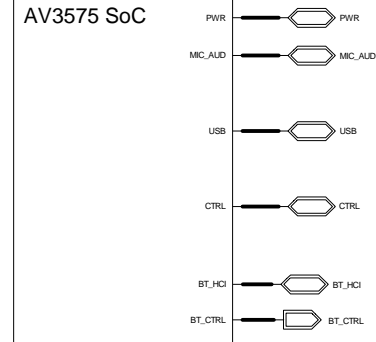
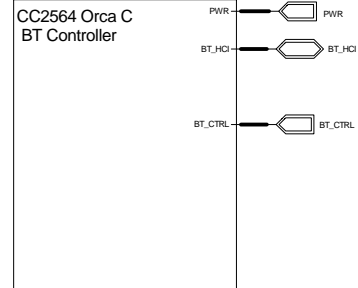


AV3575_CSP



Ref Des Range:
AV3575_CSP: 54000 - 54099

CC2564C_CSP



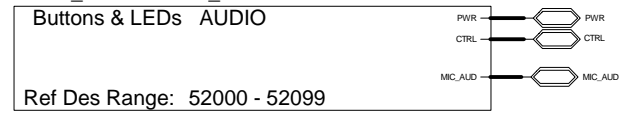
Ref Des Range:
C2564C_CSP: 51500 - 51599

Ref Des Range:

HP: 51900 - 51999

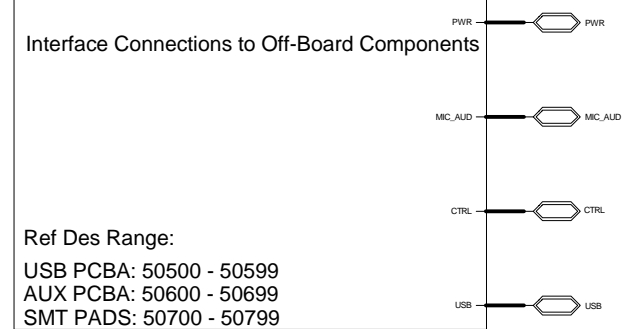
MIC: 51800 - 51899

E150_INTERFACE_AUDIO



Ref Des Range: 52000 - 52099

E150_EII



Ref Des Range:

USB PCBA: 50500 - 50599

AUX PCBA: 50600 - 50699

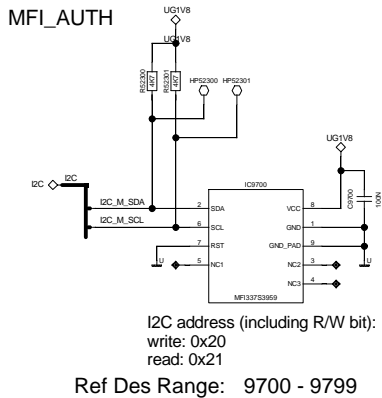
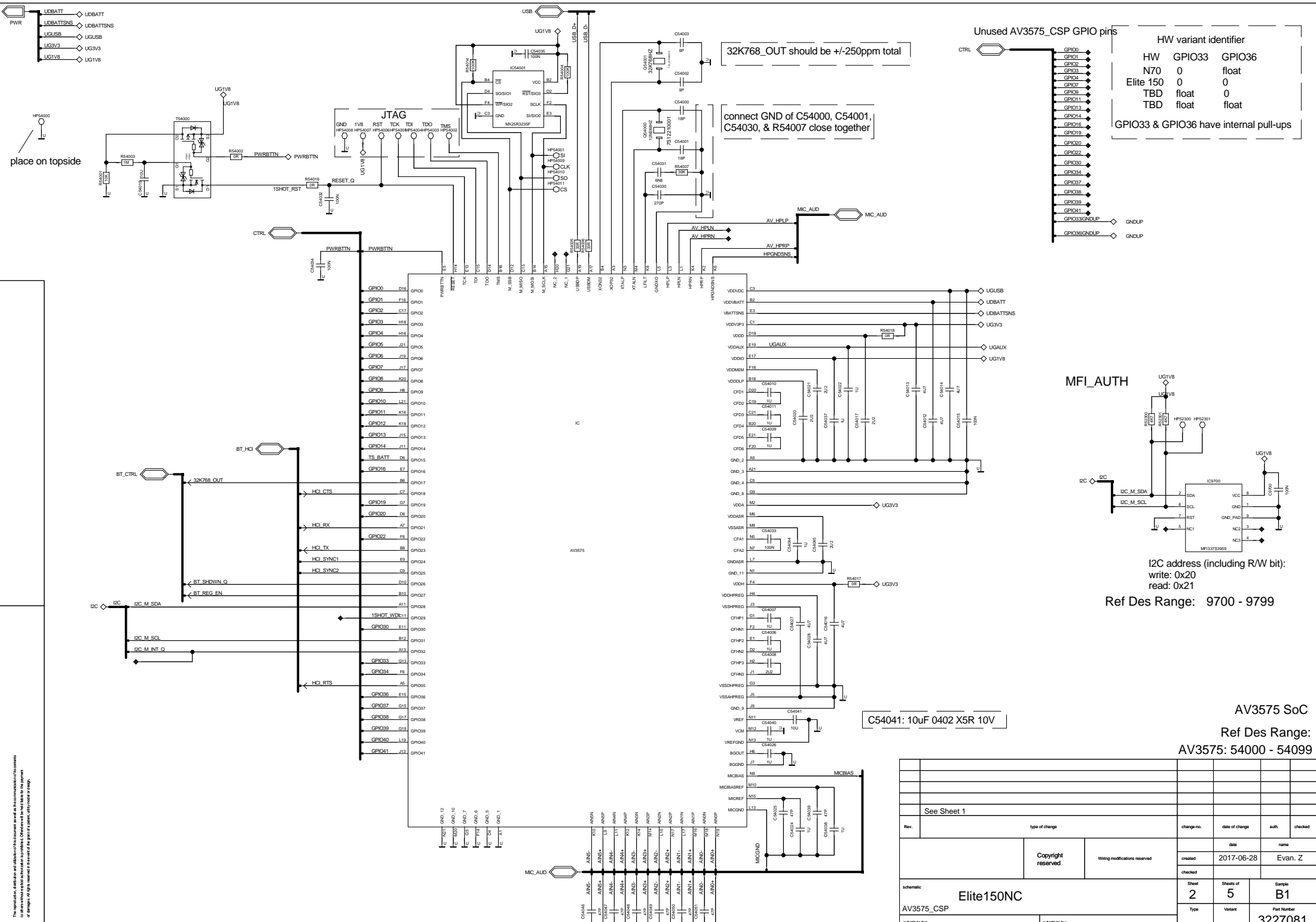
SMT PADS: 50700 - 50799

The manufacturer's identification and other information used in this document is for identification purposes only and is not intended to be used as a substitute for the manufacturer's specifications. Changes in the manufacturer's specifications may be made without notice and are not the responsibility of the manufacturer.

BC1
BARCODE_LABEL_66X65_KAPTON
BARCODE-LABEL66X65

BC2
BARCODE_LABEL_66X65_KAPTON
BARCODE-LABEL66X65

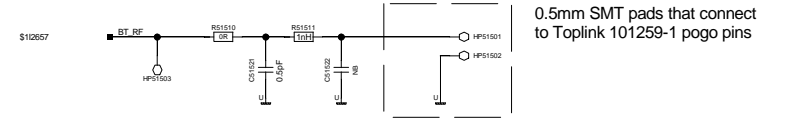
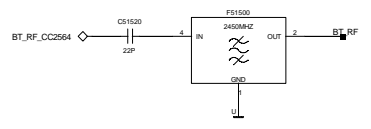
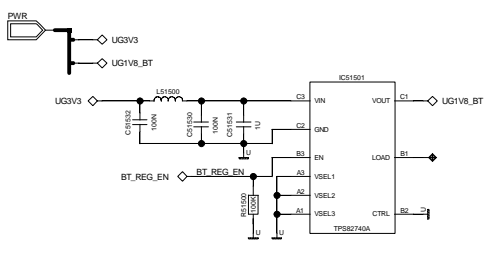
1	Refer to change list file		2017-06-28		
Rev.	type of change	change no.	date of change	auth.	checked
	Copyright reserved		date	name	
	Wiring modifications reserved	created	2017-06-28	Evan_Z	
		checked			
schematic	Elite150NC	Sheet	1	5	Sample
Root		Type	Variant		Part Number
substitute for:	substitute by:				3227081



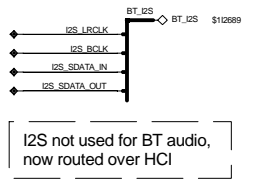
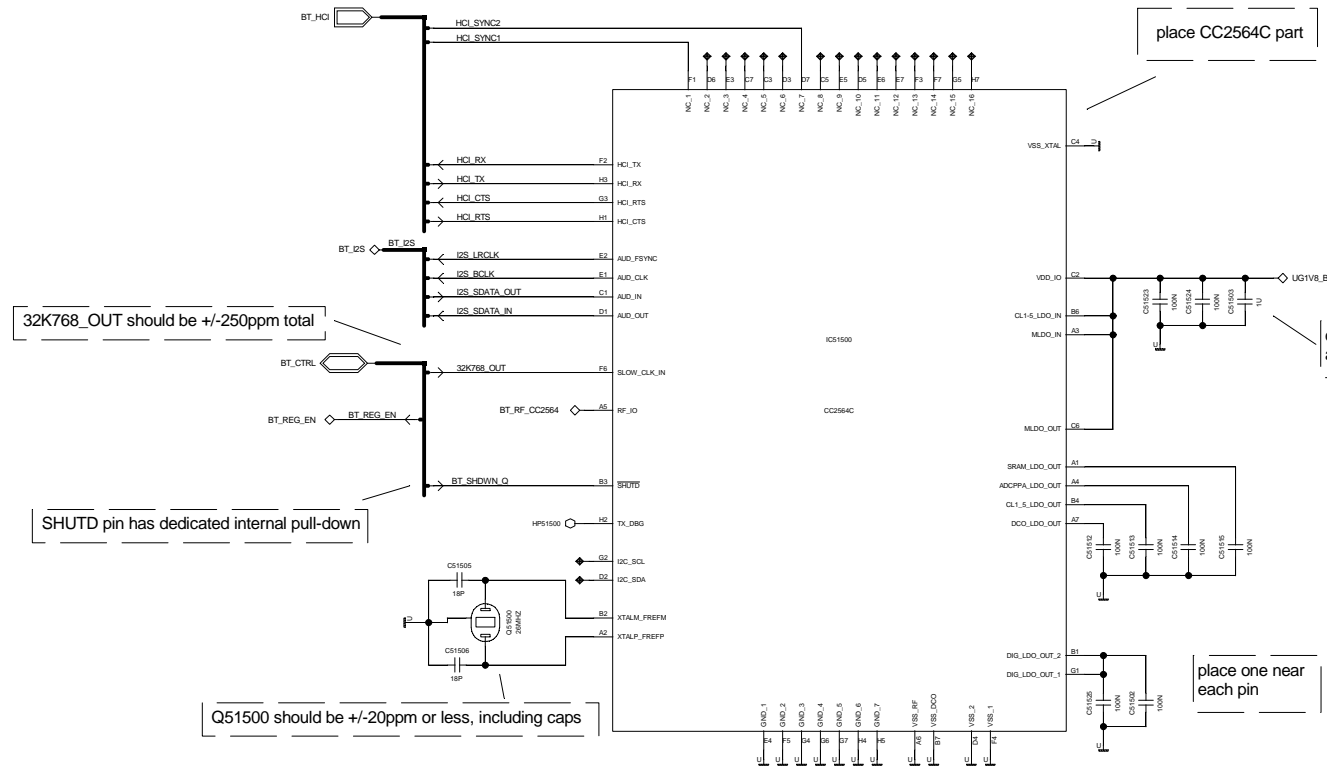
C54041: 10uF 0402 X5R 10V

Rev.	type of change	change no.	date of change	auth.	checked
See Sheet 1					
Copyright reserved		Wiring modifications reserved		date	name
				created	2017-06-28
				checked	Evan. Z
schematic		Elite150NC		sheet	2
AV3575_CSP				Sheets of	5
substitute for:		substitute by:		Type	Variant
				Sample	B1
				Part Number	3227081

The manufacturer, distributor and supplier of this document are not responsible for its contents, its use, or any other legal liability arising from its use. Changes may be made without notice, without prior notice or compensation. All rights reserved by the patent, trademark and copyright holders.



Bluetooth PHY + Antenna
Ref Des Range: 51500 - 51599

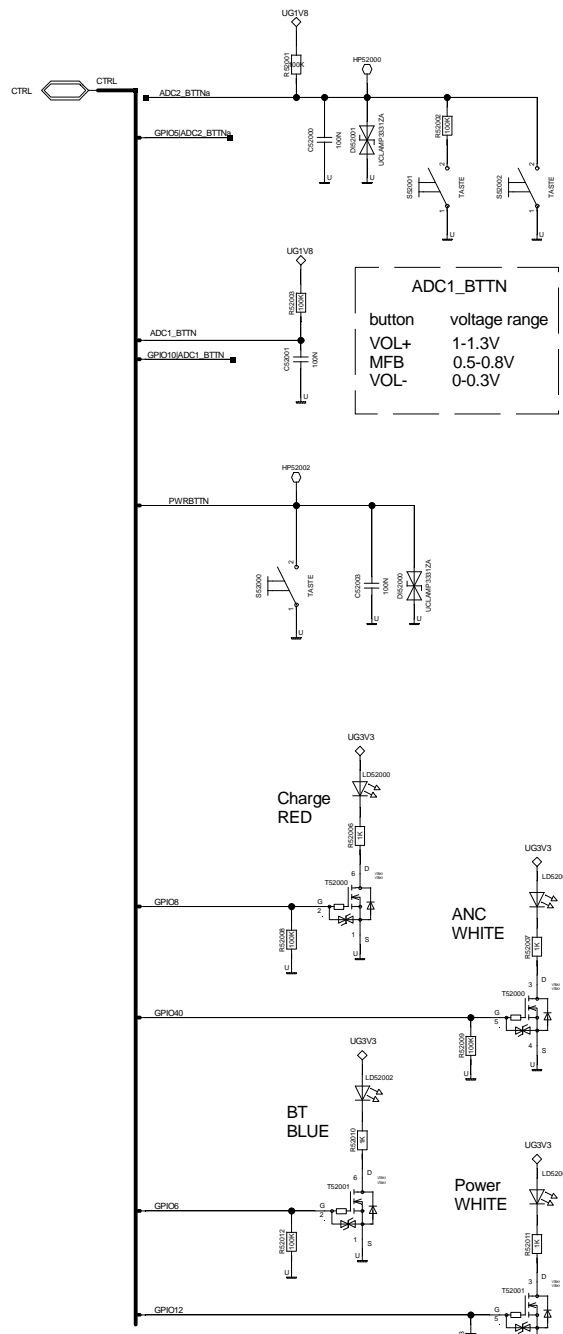
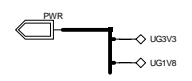


as of 1/12/2016, this part is in stock at digikey
12ppm stability, 10ppm tolerance, 3pF load capacitance
<http://www.digikey.com/product-detail/en/epsosv7A-1181-26-0000MF12Z-AC3/SER0367DKR-ND/2403531>

The manufacturer, distributor and retailer of this component are not responsible for its contents to determine its actual application for a particular design. Changes to this document for the purpose of design or other reasons are the responsibility of the user of this component.

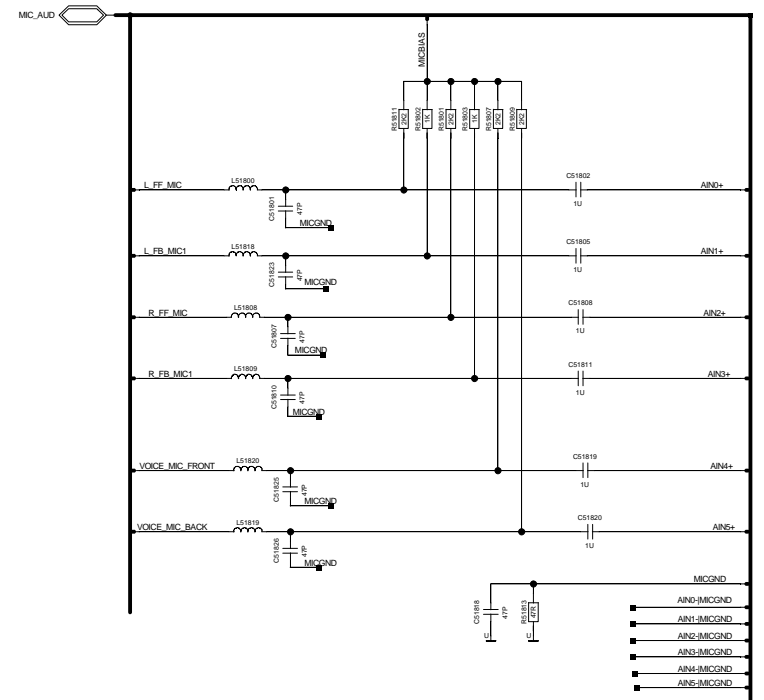
CC2564 Orca-C CSP BT Controller
Ref Des Range:
CC2564C_CSP: 51500 - 51599

See Sheet 1				
Rev.	type of change	change no.	date of change	auth. checked
			date	name
	Copyright reserved	Wiring modifications reserved	created	2017-06-28
			checked	Evan. Z
schematic	Elite150NC		Sheet	3
CC2564C_CSP			Sheets of	5
			Type	Variant
substitute for:	substitute by:		Sample	B1
			Part Number	3227081

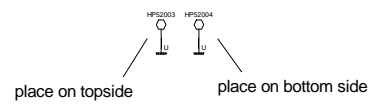


ADC2_BTTN
 button voltage range
 PAIR 0.7-1.1V
 SMART 0-0.3V

ADC1_BTTN
 button voltage range
 VOL+ 1-1.3V
 MFB 0.5-0.8V
 VOL- 0-0.3V



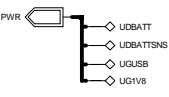
HP, MIC, & AUX Audio Paths
 Ref Des Range:
 HP: 51900 - 51999
 MIC: 51800 - 51899
 AUX: 55000 - 55099



Buttons & LEDs
 Ref Des Range: 52000 - 52099

The manufacturer, distributor and retailer of this document are not responsible for its contents. It is an internal document and should not be distributed outside the organization. Changes to this document should be made by the person who created it. All rights reserved.

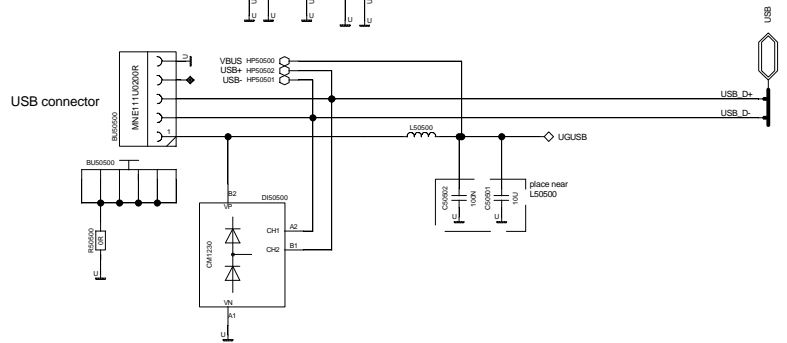
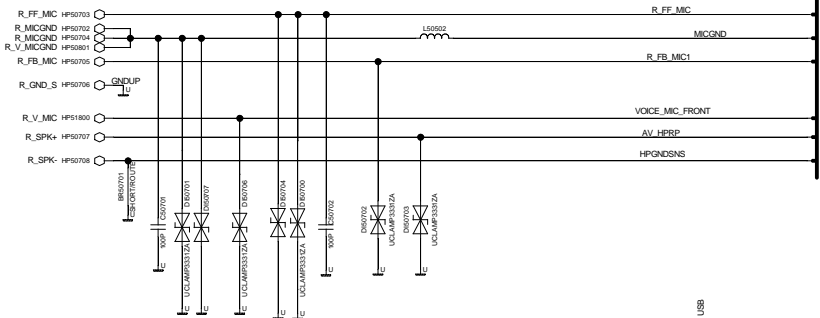
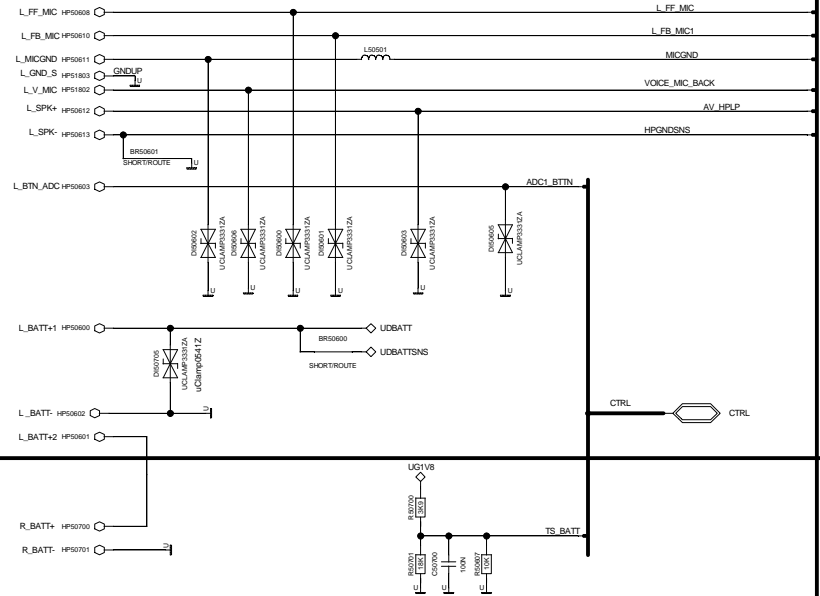
See Sheet 1		change no.	date of change	auth.	checked
Rev.	type of change				
Copyright reserved		date		name	
Wiring modifications reserved		created	2017-06-28	Evan. Z	
		checked			
schematic	Elite150NC		Sheet	5	Sample
INTERFACE			4		B1
substitute for:		Type	Variant	Part Number	
				3227081	



LEFT SIDE

RIGHT SIDE

all wire solder pad sizes are 1.6 x 1.0 mm



Interface Connections to Off-Board Components

Ref Des Range:
 USB: 50500 - 50599
 left PCBA: 50600 - 50699
 SMT PADS: 50700 - 50799

The manufacturer, distributor and retailer of this component accept no responsibility for contents to determine a specific application for this product. Changes to the part data for the payment of charges. All rights reserved. The part of a patent, utility model or design.

See Sheet 1		change no.	date of change	auth.	checked
Rev.	type of change				
Copyright reserved		Wiring modifications reserved	date	name	
		created	2017-06-28	Evan_Z	
		checked			
schematic	Elite150NC		Sheet	5 of 5	Sample B1
E150_EII			Type	Variant	Part Number 3227081
substitute for:		substitute by:			

6

5

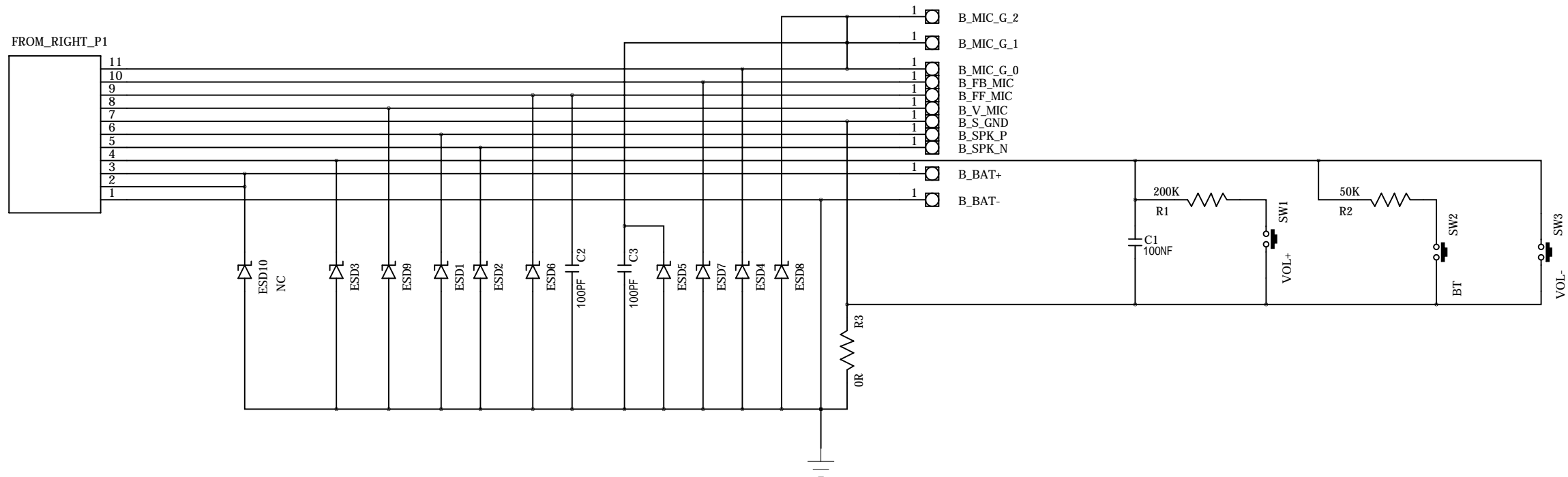
4

3

2

1

REVISION RECORD			
LTR	ECO NO:	APPROVED:	DATE:



COMPANY: **Harman**

TITLE: **Elite_150_L_Board**

DRAWN: Elton	DATED: <Drawn Date>
CHECKED: <Checked By>	DATED: <Checked Date>
QUALITY CONTROL: <QC By>	DATED: <QC Date>
RELEASED: <Released By>	DATED: <Release Date>

CODE: <Code>	SIZE: B	DRAWING NO: D1	REV: D1
SCALE: <Scale>			SHEET: 1 of 1

D

D

C

C

B

B

A

A