

HK NEO

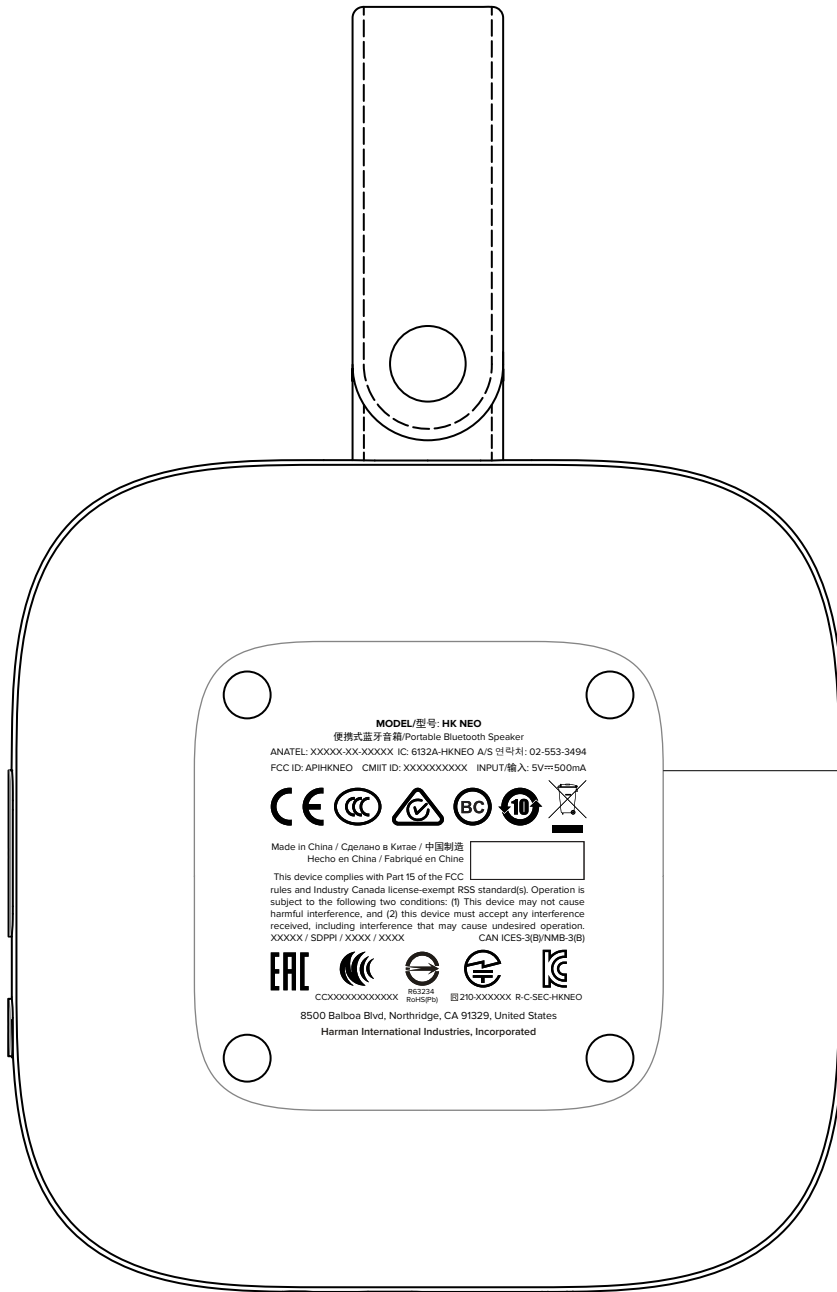
Compliance V11

14-05-2019

Gianni Teruzzi

Dimensions in mm

Scale 1:1



Back View



Compliance Silk Print

UV Print
Transparent
Semi Gloss

Aligned at the Center Position

HK NEO

Compliance V11

14-05-2019

Gianni Teruzzi

Dimensions in mm

Scale 1:1

