

FCC AND IC CERTIFICATION TEST REPORT

FOR

Applicant	:	Harman International Industries, Inc.
Address	:	8500 Balboa Boulevard, Northridge, CA 91329, UNITED STATES
Equipment under Test	:	WIRELESS LARGE MULTI-CHANNEL SOUNDBAR
Model No.	:	ENCHANT 1300
Trade Mark	:	harman/kardon
FCC ID	:	APIENCHANT1300
IC	:	6132A-ENCHANT1300
Manufacturer	:	Harman International Industries, Inc.
Address	:	8500 Balboa Boulevard, Northridge, CA 91329, UNITED STATES

Issued By: Dongguan Dongdian Testing Service Co., Ltd.

Add: No. 17, Zongbu Road 2, Songshan Lake Sci&Tech, Industry Park, Dongguan
City, Guangdong Province, China, 523808

Tel: +86-0769-38826678, **E-mail:** ddt@dgddt.com, <http://www.dgddt.com>

REPORT

TABLE OF CONTENTS

	Test report declares.....	4
1.	Summary of test results	5
2.	General test information.....	6
2.1.	Description of EUT	6
2.2.	Accessories of EUT	6
2.3.	Assistant equipment used for test.....	6
2.4.	Block diagram of EUT configuration for test.....	7
2.5.	Test environment conditions	7
2.6.	Deviations of test standard	7
2.7.	Test laboratory	7
2.8.	Measurement uncertainty	8
3.	Equipment used during test.....	9
4.	20dB Bandwidth and 99% Bandwidth	10
4.1.	Block diagram of test setup	10
4.2.	Limits	10
4.3.	Test Procedure.....	10
4.4.	Test Result	10
4.5.	Original test data	11
5.	Radiated emission	15
5.1.	Block diagram of test setup	15
5.2.	Limit.....	16
5.3.	Test Procedure.....	17
5.4.	Test result.....	18
6.	Band Edge Compliance	23
6.1.	Block diagram of test setup	23
6.2.	Limit.....	23
6.3.	Test Procedure.....	23
6.4.	Test result.....	23
7.	Power Line Conducted Emission.....	28
7.1.	Block diagram of test setup	28
7.2.	Power Line Conducted Emission Limits	28
7.3.	Test Procedure.....	28
7.4.	Test Result	29
8.	Antenna Requirements	32
8.1.	Limit.....	32
8.2.	Result	32

TEST REPORT DECLARE

Applicant	:	Harman International Industries, Inc.
Address	:	8500 Balboa Boulevard, Northridge, CA 91329, UNITED STATES
Equipment under Test	:	WIRELESS LARGE MULTI-CHANNEL SOUNDBAR
Model No.	:	ENCHANT 1300
Trade mark	:	harman/kardon
Manufacturer	:	Harman International Industries, Inc.
Address	:	8500 Balboa Boulevard, Northridge, CA 91329, UNITED STATES

Test Standard Used:

FCC Rules and Regulations Part 15 Subpart C, RSS-210 Issue 9 August 2016.

Test procedure used:

ANSI C63.10:2013, RSS-Gen Issue 5, Apr. 2018.

We Declare:

The equipment described above is tested by Dongguan Dongdian Testing Service Co., Ltd. and in the configuration tested the equipment complied with the standards specified above. The test results are contained in this test report and Dongguan Dongdian Testing Service Co., Ltd. is assumed of full responsibility for the accuracy and completeness of these tests.

After test and evaluation, our opinion is that the equipment provided for test compliance with the requirement of the above FCC&IC standards.

Report No:	DDT-R18061110-1E6		
Date of Receipt:	Jun. 04, 2018	Date of Test:	Jun. 04, 2018 ~ Jul. 13, 2018

Prepared By:

Sam Li

Sam Li/Engineer



Damon Hu/EMC Manager

Note: This report applies to above tested sample only. This report shall not be reproduced in parts without written approval of Dongguan Dongdian Testing Service Co., Ltd.

Revision history

Rev.	Revisions	Issue Date	Revised By
---	Initial issue	Jul. 16, 2018	

1. Summary of test results

The EUT have been tested according to the applicable standards as referenced below.		
Description of Test Item	Standard	Results
20dB Bandwidth and 99% Bandwidth	FCC Part 15: 15.215 ANSI C63.10:2013 RSS-210 Issue 9 RSS-Gen Issue 5	PASS
Radiated Emission	FCC Part 15: 15.209 FCC Part 15: 15.249 ANSI C63.10:2013 RSS-210 Issue 9 RSS-Gen Issue 5	PASS
Band Edge Compliance	FCC Part 15: 15.205 FCC Part 15: 15.249 ANSI C63.10:2013 RSS-210 Issue 9 RSS-Gen Issue 5	PASS
Power Line Conducted Emission	FCC Part 15: 15.207 ANSI C63.10:2013 RSS-Gen Issue 5	PASS
Antenna requirement	FCC Part 15: 15.203 RSS-Gen Issue 5	PASS

2. General test information

2.1. Description of EUT

EUT* Name	: WIRELESS LARGE MULTI-CHANNEL SOUNDBAR
Model Number	: ENCHANT 1300
EUT function description	: Please reference user manual of this device
Power supply	: AC 100-240V, 50/60Hz
Operation frequency	: 2405.35MHz-2477.35MHz
Modulation	: GFSK
Antenna Type	: Integral PCB Antenna 0, maximum PK gain: 3.5dBi Integral PCB Antenna 1, maximum PK gain: 3.9dBi
Sample Type	: Series production

Note: EUT is the ab. of equipment under test.

EUT channels and frequencies list:

Channel	Frequency (MHz)	Channel	Frequency (MHz)	Channel	Frequency (MHz)
2	2405.35	15	2431.35	28	2457.35
3	2407.35	16	2433.35	29	2459.35
4	2409.35	17	2435.35	30	2461.35
5	2411.35	18	2437.35	31	2463.35
6	2413.35	19	2439.35	32	2465.35
7	2415.35	20	2441.35	33	2467.35
8	2417.35	21	2443.35	34	2469.35
9	2419.35	22	2445.35	35	2471.35
10	2421.35	23	2447.35	36	2473.35
11	2423.35	24	2449.35	37	2475.35
12	2425.35	25	2451.35	38	2477.35
13	2427.35	26	2453.35		
14	2429.35	27	2455.35		

2.2. Accessories of EUT

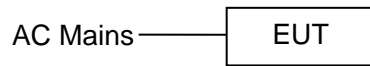
Description of Accessories	Manufacturer	Model number	Serial No.	Other
HDMI cable	harman/kardon	N/A	N/A	Length: 1.2m, shielded, two core
AC cable	harman/kardon	N/A	N/A	Length: 1.5m without core

2.3. Assistant equipment used for test

Assistant equipment	Manufacturer	Model number	Serial No.	Other
Notebook	DELL	Latitude D610	FCC DOC	00045-534-136-300

2.4. Block diagram of EUT configuration for test

Tx Mode:



For Tx Mode, A special test firmware was installed in EUT and which can exercise the EUT work in continues RF test mode at specified test channel as below:

Tested mode, channel, information		
Mode	Channel	Frequency (MHz)
GFSK Tx mode	CH2	2405.35
	CH19	2439.35
	CH38	2477.35

2.5. Test environment conditions

During the measurement the environmental conditions were within the listed ranges:

Temperature range:	21-25°C
Humidity range:	40-75%
Pressure range:	86-106kPa

2.6. Deviations of test standard

No Deviation.

2.7. Test laboratory

Dongguan Dongdian Testing Service Co., Ltd

Add: No. 17, Zongbu Road 2, Songshan Lake Sci&Tech, Industry Park, Dongguan City, Guangdong Province, China, 523808

Tel: +86-0769-38826678, <http://www.dgddt.com>, Email: ddt@dgddt.com

CNAS Accreditation No. L6451; A2LA Accreditation No. 3870.01

Designation Number: CN1182; Test Firm Registration Number: 540522

Industry Canada site registration number: 10288A-1

2.8. Measurement uncertainty

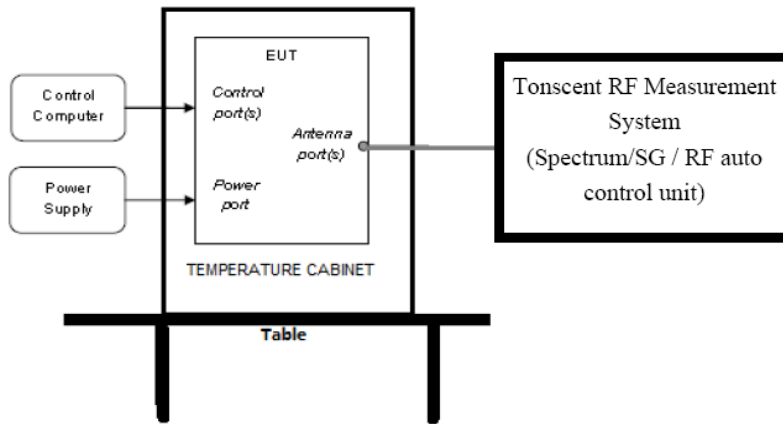
Test Item	Uncertainty
Bandwidth	1.1%
Peak Output Power (Conducted) (Spectrum analyzer)	0.86dB (10 MHz ≤ f < 3.6GHz);
	1.38dB (3.6GHz ≤ f < 8GHz)
Peak Output Power (Conducted) (Power Sensor)	0.74dB
Power Spectral Density	0.74dB (10 MHz ≤ f < 3.6GHz);
	1.38dB (3.6GHz ≤ f < 8GHz)
Conducted spurious emissions	0.86dB (10 MHz ≤ f < 3.6GHz);
	1.40dB (3.6GHz ≤ f < 8GHz)
	1.66dB (8GHz ≤ f < 22GHz)
Uncertainty for radio frequency (RBW < 20kHz)	3×10^{-8}
Temperature	0.4°C
Humidity	2%
Uncertainty for Radiation Emission test (30MHz-1GHz)	4.70 dB (Antenna Polarize: V)
	4.84 dB (Antenna Polarize: H)
Uncertainty for Radiation Emission test (1GHz-18GHz)	4.10dB (1-6GHz)
	4.40dB (6GHz-18Gz)
Uncertainty for Power line conduction emission test	3.32dB (150kHz-30MHz)
Note: This uncertainty represents an expanded uncertainty expressed at approximately the 95% confidence level using a coverage factor of k=2.	

3. Equipment used during test

Equipment	Manufacturer	Model No.	Serial No.	Last Cal.	Cal. Interval
RF Connected Test (Tonscend RF Measurement System)					
Spectrum analyzer	R&S	FSU26	200071	Oct. 23, 2017	1 Year
Wideband Radio Communication tester	R&S	CMW500	117491	Jun. 29, 2018	1 Year
Vector Signal Generator	Agilent	E8267D	US49060192	Oct. 23, 2017	1 Year
Vector Signal Generator	Agilent	N5182A	MY48180737	Jun. 29, 2018	1 Year
Power Sensor	Agilent	U2021XA	MY55150010	Oct. 21, 2017	1 Year
Power Sensor	Agilent	U2021XA	MY55150011	Oct. 23, 2017	1 Year
DC Power Source	MATRIS	MPS-3005L-3	D813058W	Aug. 18, 2017	1 Year
Attenuator	Mini-Circuits	BW-S10W2	101109	Aug. 18, 2017	1 Year
RF Cable	Micable	C10-01-01-1	100309	Oct. 21, 2017	1 Year
Temp&Humi Programmable	ZHIXIANG	ZXGDJS-150L	ZX170110-A	Oct. 21, 2017	1 Year
Test Software	JS Tonscend	JS1120-3	Ver.2.7	N/A	N/A
Radiated Emission Test Chamber 1#					
EMI Test Receiver	R&S	ESU8	100316	Oct. 21, 2017	1 Year
Spectrum analyzer	Agilent	E4447A	MY50180031	Jun. 29, 2018	1 Year
Trilog Broadband Antenna	Schwarzbeck	VULB9163	9163-462	Nov. 09, 2017	1 Year
Active Loop antenna	Schwarzbeck	FMZB-1519	1519-038	Oct. 17, 2017	1 Year
Double Ridged Horn Antenna	R&S	HF907	100276	Oct. 17, 2017	1 Year
Broad Band Horn Antenna	Schwarzbeck	BBHA 9170	790	Nov. 09, 2017	1 Year
Pre-amplifier	A.H.	PAM-0118	360	Oct. 21, 2017	1 Year
Pre-amplifier	TERA-MW	TRLA-0040 G35	101303	Oct. 21, 2017	1 Year
RF Cable	HUBSER	CP-X2+ CP-X1	W11.03+ W12.02	Oct. 21, 2017	1 Year
RF Cable	N/A	SMAJ-SMA J-1M+ 11M	17070133+17070131	Nov. 08, 2017	1 Year
MI Cable	HUBSER	C10-01-01-1 M	1091629	Oct. 21, 2017	1 Year
Test software	Audix	E3	V 6.11111b	N/A	N/A
Power Line Conducted Emissions Test					
EMI Test Receiver	R&S	ESU8	100316	Oct. 21, 2017	1 Year
LISN 1	R&S	ENV216	101109	Oct. 21, 2017	1 Year
LISN 2	R&S	ESH2-Z5	100309	Oct. 21, 2017	1 Year
Pulse Limiter	R&S	ESH3-Z2	101242	Oct. 21, 2017	1 Year
CE Cable 1	HUBSER	N/A	W10.01	Oct. 21, 2017	1 Year
Test software	Audix	E3	V 6.11111b	N/A	N/A

4. 20dB Bandwidth and 99% Bandwidth

4.1. Block diagram of test setup



4.2. Limits

Intentional radiators operating under the alternative provisions to the general emission limits, as contained in § 15.217 through 15.257 and in Subpart E of this part, must be designed to ensure that the 20dB bandwidth of the emission, or whatever bandwidth may otherwise be specified in the specific rule section under which the equipment operates, is contained within the frequency band designated in the rule section under which the equipment is operated.

4.3. Test Procedure

(1) Connect EUT's antenna output to spectrum analyzer by RF cable.

(2) Set the spectrum analyzer as follows:

RBW:	30kHz
VBW:	100kHz
Detector Mode:	Peak
Sweep time:	auto
Trace mode	Max hold

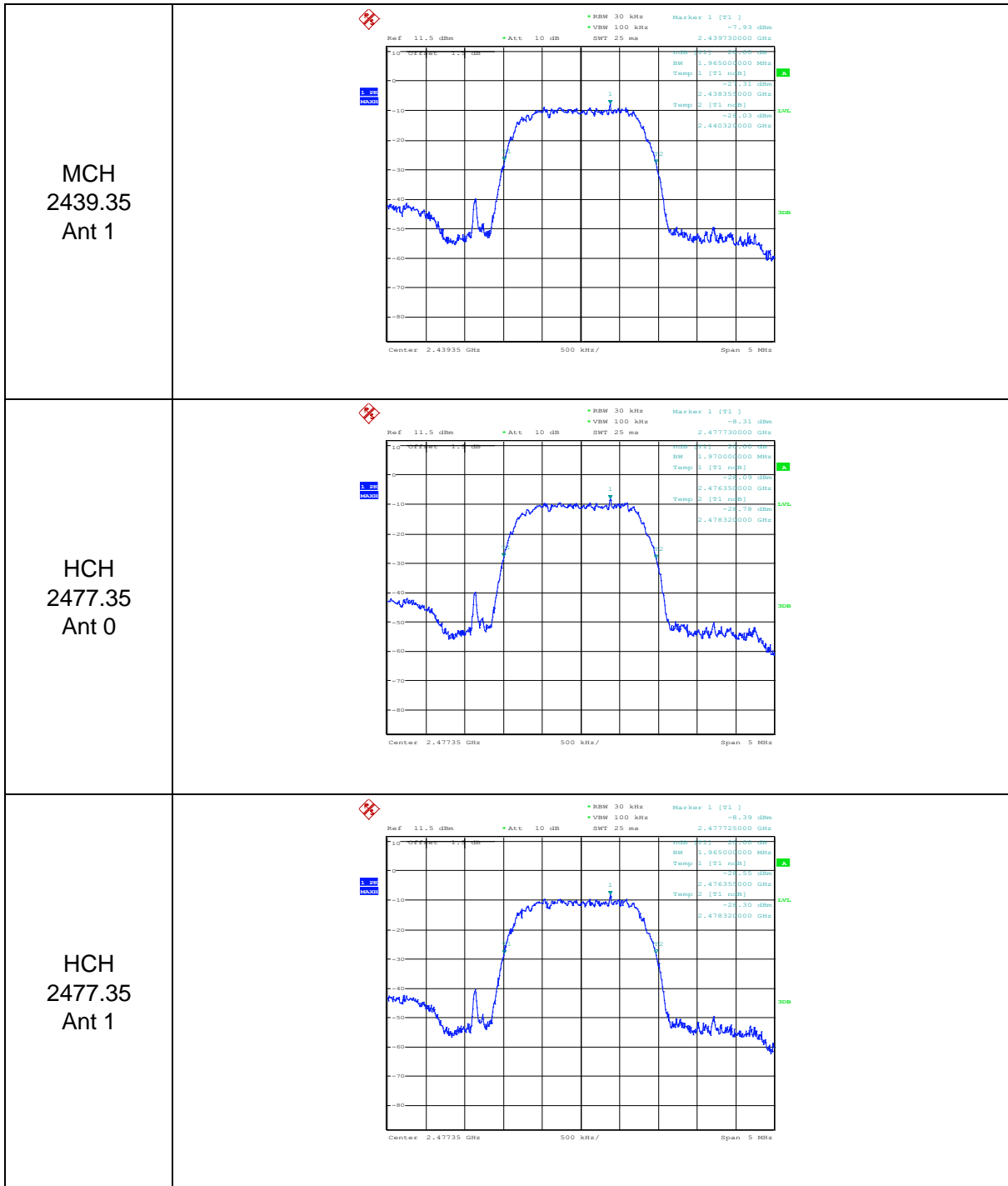
(3) Allow the trace to stabilize, measure the 20dB and 99% bandwidth of signal.

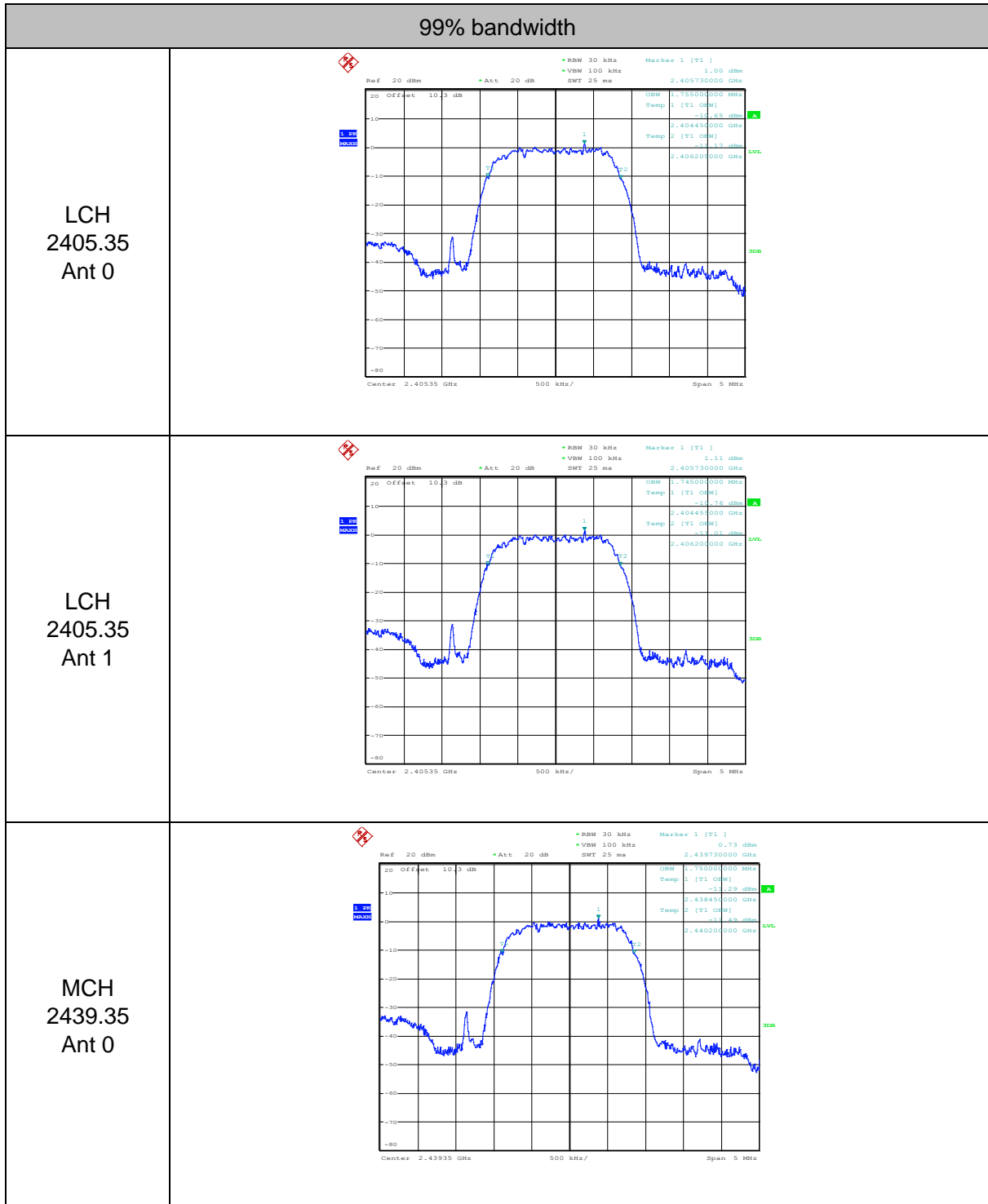
4.4. Test Result

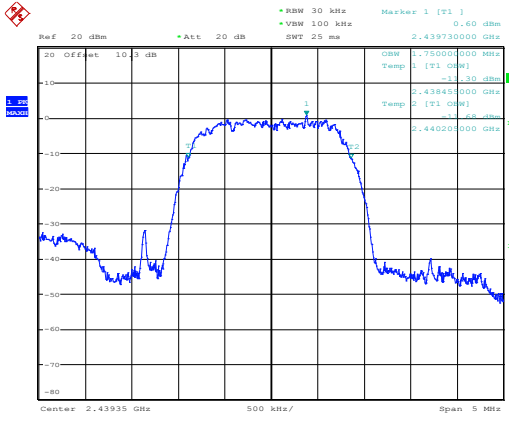
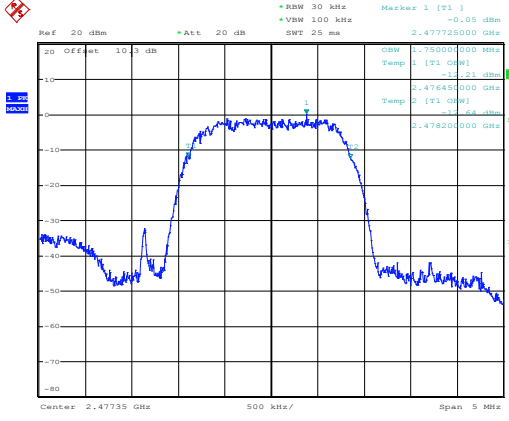
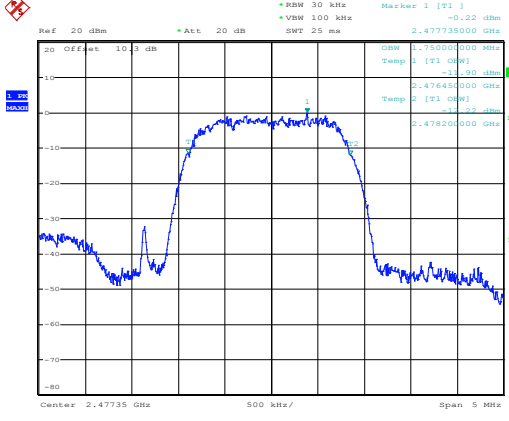
Mode	Freq (MHz)	Ant	20dB bandwidth Result (MHz)	99% bandwidth Result (MHz)	Limit (MHz)	Conclusion
GFSK	2405.35	Ant 0	1.965	1.745	/	PASS
	2405.35	Ant 1	1.965	1.745	/	PASS
	2439.35	Ant 0	1.965	1.750	/	PASS
	2439.35	Ant 1	1.965	1.750	/	PASS
	2477.35	Ant 0	1.970	1.750	/	PASS
	2477.35	Ant 1	1.965	1.750	/	PASS

4.5. Original test data

20dB bandwidth	
<p>LCH 2405.35 Ant 0</p>	
<p>LCH 2405.35 Ant 1</p>	
<p>MCH 2439.35 Ant 0</p>	



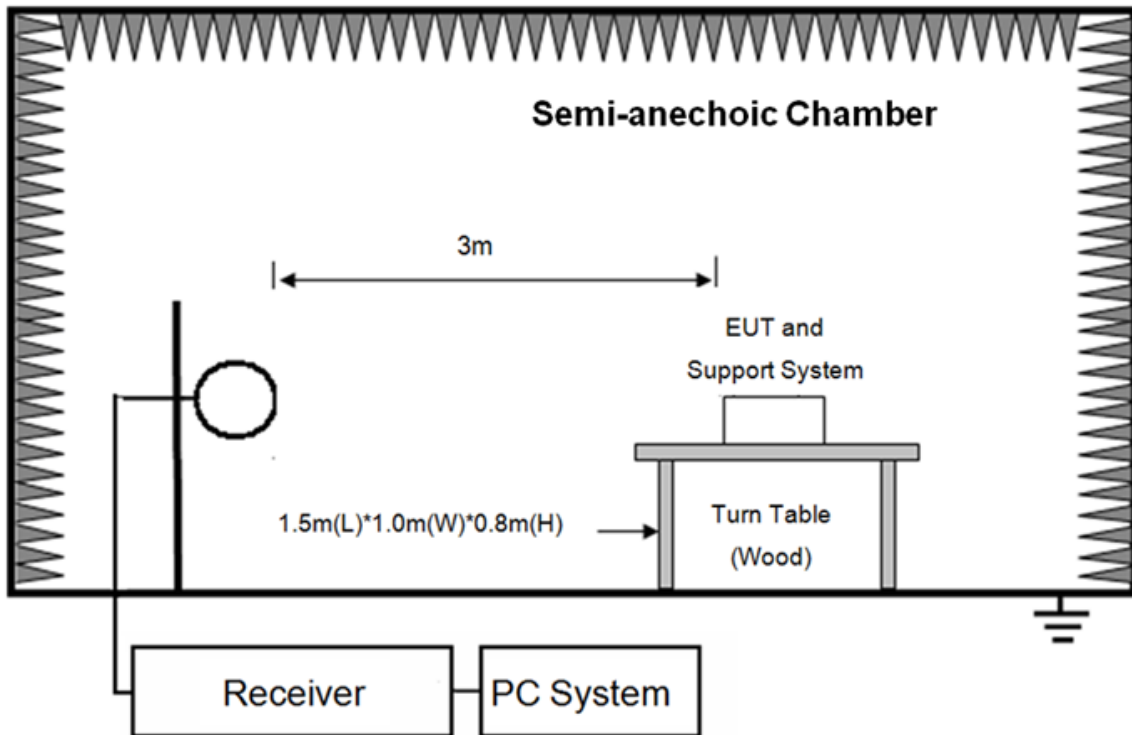


<p>MCH 2439.35 Ant 1</p>	
<p>HCH 2477.35 Ant 0</p>	
<p>HCH 2477.35 Ant 1</p>	

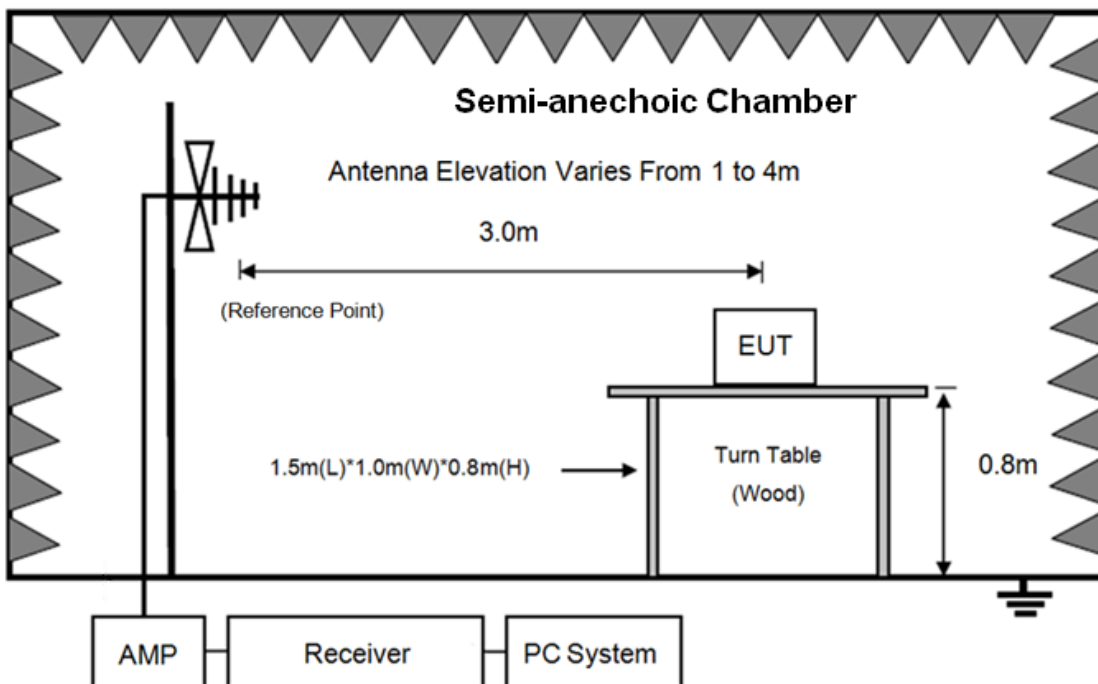
5. Radiated emission

5.1. Block diagram of test setup

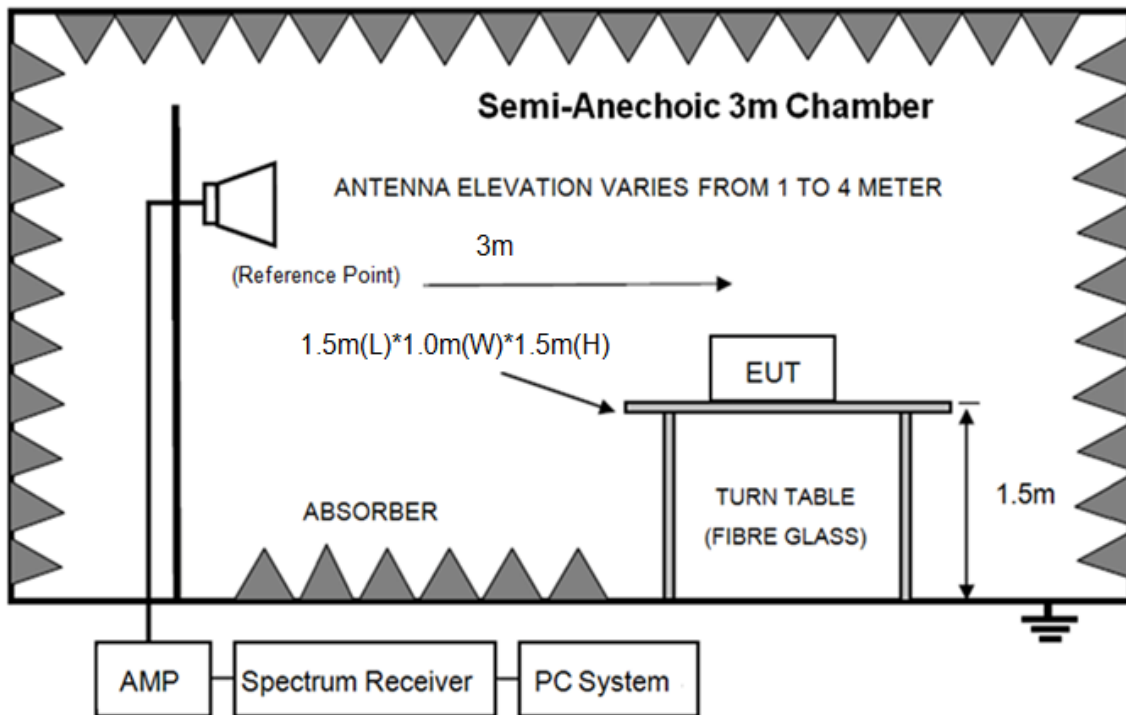
In 3m Anechoic Chamber Test Setup Diagram for 9kHz-30MHz



In 3m Anechoic Chamber Test Setup Diagram for 30MHz-1GHz



In 3m Anechoic Chamber Test Setup Diagram for frequency above 1GHz



Note: For harmonic emissions test an appropriate high pass filter was inserted in the input port of AMP.

5.2. Limit

FREQUENCY MHz	DISTANCE Meters	FIELD STRENGTHS LIMIT	
		$\mu\text{V}/\text{m}$	$\text{dB}(\mu\text{V})/\text{m}$
30 ~ 88	3	100	40.0
88 ~ 216	3	150	43.5
216 ~ 960	3	200	46.0
960 ~ 1000	3	500	54.0
Above 1000MHz	3	74.0 $\text{dB}(\mu\text{V})/\text{m}$ (Peak) 54.0 $\text{dB}(\mu\text{V})/\text{m}$ (Average)	
Field Strength of Fundamental emission for 2.4GHz-2.4835GHz	3	94.0 $\text{dB}(\mu\text{V})/\text{m}$ (Average) 114.0 $\text{dB}(\mu\text{V})/\text{m}$ (Peak)	
Field Strength of Harmonics	3	74.0 $\text{dB}(\mu\text{V})/\text{m}$ (Peak) 54.0 $\text{dB}(\mu\text{V})/\text{m}$ (Average)	

Remark:

- (1) Emission level $\text{dB}\mu\text{V} = 20 \log$ Emission level $\mu\text{V}/\text{m}$
- (2) The smaller limit shall apply at the cross point between two frequency bands.
- (3) Distance is the distance in meters between the measuring instrument, antenna and the closest point of any part of the device or system.
- (4) The emission limits shown in the above table are based on measurements employing a CISPR quasi-peak detector except for the frequency bands 9-90 kHz, 110-490 kHz and above 1000MHz, radiated emission limits in these three bands are based on measurements employing an average detector.

5.3. Test Procedure

- (1) EUT was placed on a non-metallic table, 80 cm above the ground plane inside a semi-anechoic chamber.
- (2) Setup EUT and assistant system according clause 2.3 and 4.2
- (3) Test antenna was located 3m from the EUT on an adjustable mast. Below pre-scan procedure was first performed in order to find prominent radiated emissions.
 - (a) Change work frequency or channel of device if practicable.
 - (b) Change modulation type of device if practicable.
 - (c) Change power supply range from 85% to 115% of the rated supply voltage
 - (d) Rotated EUT though three orthogonal axes to determine the attitude of EUT arrangement produces highest emissions
- (4) Spectrum frequency from 9kHz to 25GHz (tenth harmonic of fundamental frequency) was investigated, and no any obvious emission were detected from 9kHz to 30MHz and 18GHz to 25GHz, so below final test was performed with frequency range from 30MHz to 18GHz.
- (5) For final emissions measurements at each frequency of interest, the EUT were rotated and the antenna height was varied between 1m and 4m in order to maximize the emission. Measurements in both horizontal and vertical polarities were made and the data was recorded. In order to find the maximum emission, the relative positions of equipments and all of the interface cables were changed according to ANSI C63.10 2013 on Radiated Emission test.
- (6) For emissions from 30MHz to 1GHz, Quasi-Peak values were measured with EMI Receiver and the bandwidth of Receiver is 120 kHz.
- (7) For emissions above 1GHz, both Peak and Average level were measured with Spectrum Analyzer, and the RBW is set at 1MHz, VBW is set at 3MHz for Peak measure; RBW is set at 1MHz, VBW is set at 10Hz for Average measure. Peak detector is used for both PK and AV test.
- (8) For fundamental frequency test, set spectrum analyzer's RBW=3MHz, VBW=10MHz. peak detector for PK, RMS detector for AV, Read the Level in spectrum analyzer and record.

5.4. Test result

PASS. (See below detailed test result)

All the emissions except fundamental emission from 9kHz to 25GHz were comply with 15.209 limit.

Note1: According exploratory test no any obvious emission was detected from 9kHz to 30MHz and 18GHz to 25GHz, so the final test was performed with frequency range from 30MHz to 18GHz and recorded in below.

Note2: For emissions below 1GHz, according exploratory explorer test, when change Tx mode and channel, have no distinct influence on emissions level, so for emissions below 1GHz, the final test was only performed with EUT working in GFSK, Tx 2405.35MHz mode.

Note3: For emissions above 1GHz. If peak results comply with AV limit, AV Result is deemed to comply with AV limit.

Note4: Both ANT 0 and ANT 1 have been tested, ANT 1 is worse case and reported only.

Field Strength Of The Fundamental Signal

Peak value:

Freq. (MHz)	Read level (dB μ V)	Antenna Factor (dB/m)	PRM Factor (dB)	Cable Loss (dB)	Result Level (dB μ V/m)	Limit (dB μ V/m)	Margin (dB)	Detector type	Polarization
2405.35	105.70	27.06	44.32	5.13	93.57	114.00	-20.43	Peak	HORIZONTAL
2405.35	101.23	27.06	44.32	5.13	89.10	114.00	-24.90	Peak	VERTICAL
2439.35	101.88	27.18	44.32	5.16	89.90	114.00	-24.10	Peak	HORIZONTAL
2439.35	99.16	27.18	44.32	5.16	87.18	114.00	-26.82	Peak	VERTICAL
2477.35	105.13	27.32	44.32	5.20	93.33	114.00	-20.67	Peak	HORIZONTAL
2477.35	100.42	27.32	44.32	5.20	88.62	114.00	-25.38	Peak	VERTICAL
Result: Pass									

Average value:

Freq. (MHz)	Read level (dB μ V)	Antenna Factor (dB/m)	PRM Factor (dB)	Cable Loss (dB)	Result Level (dB μ V/m)	Limit (dB μ V/m)	Margin (dB)	Detector type	Polarization
2405.35	103.26	27.06	44.32	5.13	91.13	94.00	-2.87	Average	HORIZONTAL
2405.35	98.63	27.06	44.32	5.13	86.50	94.00	-7.50	Average	VERTICAL
2439.35	99.25	27.18	44.32	5.16	87.27	94.00	-6.73	Average	HORIZONTAL
2439.35	96.54	27.18	44.32	5.16	84.56	94.00	-9.44	Average	VERTICAL
2477.35	102.48	27.32	44.32	5.20	90.68	94.00	-3.32	Average	HORIZONTAL
2477.35	97.75	27.32	44.32	5.20	85.95	94.00	-8.05	Average	VERTICAL
Result: Pass									

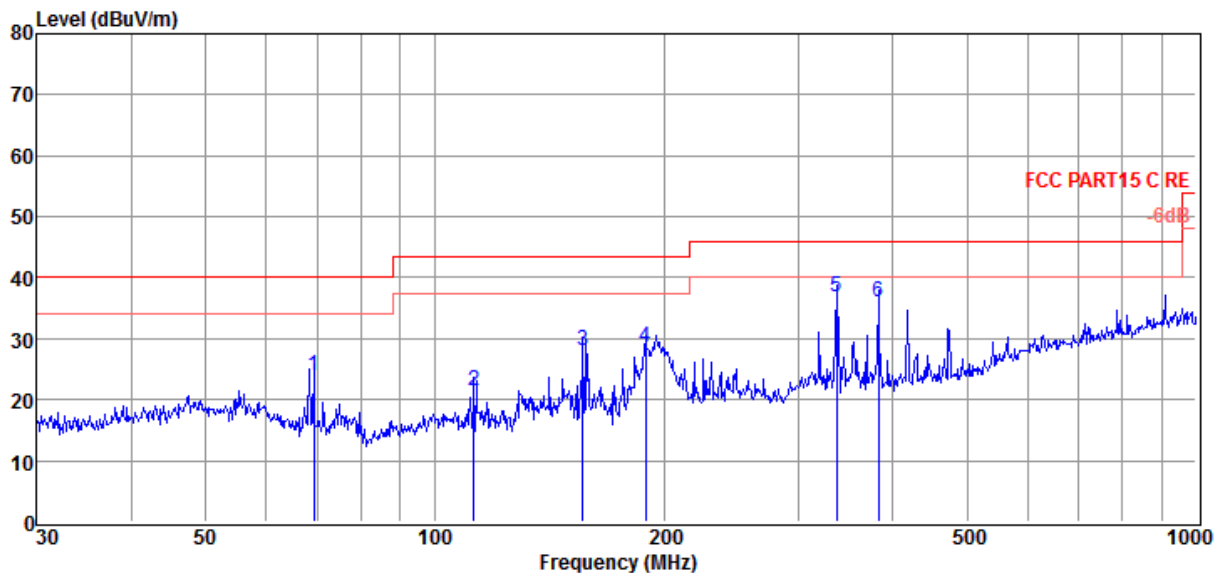
Note: Result Level = Read Level + Antenna Factor + Cable loss - PRM Factor.

Radiated Emission test (below 1GHz)

TR-4-E-009 Radiated Emission Test Result

Test Site : DDT 3m Chamber 1# **D:\2018 RE1# Report Data\Q18061111-1E\RE.EM6**
Test Date : 2018-07-12 **Tested By** : Michael
EUT : WIRELESS LARGE MULTI-CHANNEL **Model Number** : ENCHANT 1300
 : SOUNDBAR
Power Supply : AC 120V/60Hz **Test Mode** : Tx mode
Condition : Temp:24.5'C, Humi:55.5%, **Antenna/Distance** : 2017 VULB 9163 1#/3m/HORIZONTAL
 : Press:100.1kPa
Memo :

Data: 14



Item (Mark)	Freq. (MHz)	Read Level (dB μ V)	Antenna Factor (dB/m)	Cable Loss dB	Result Level (dB μ V/m)	Limit Line (dB μ V/m)	Over Limit (dB)	Detector	Polarization
1	69.36	10.43	9.33	4.17	23.93	40.00	-16.07	QP	HORIZONTAL
2	112.52	6.99	10.01	4.51	21.51	43.50	-21.99	QP	HORIZONTAL
3	156.46	14.88	8.40	4.80	28.08	43.50	-15.42	QP	HORIZONTAL
4	189.07	12.97	10.54	4.97	28.48	43.50	-15.02	QP	HORIZONTAL
5	337.22	17.13	14.07	5.69	36.89	46.00	-9.11	QP	HORIZONTAL
6	382.59	15.21	14.91	5.88	36.00	46.00	-10.00	QP	HORIZONTAL

Note: 1. Result Level = Read Level + Antenna Factor + Cable loss.

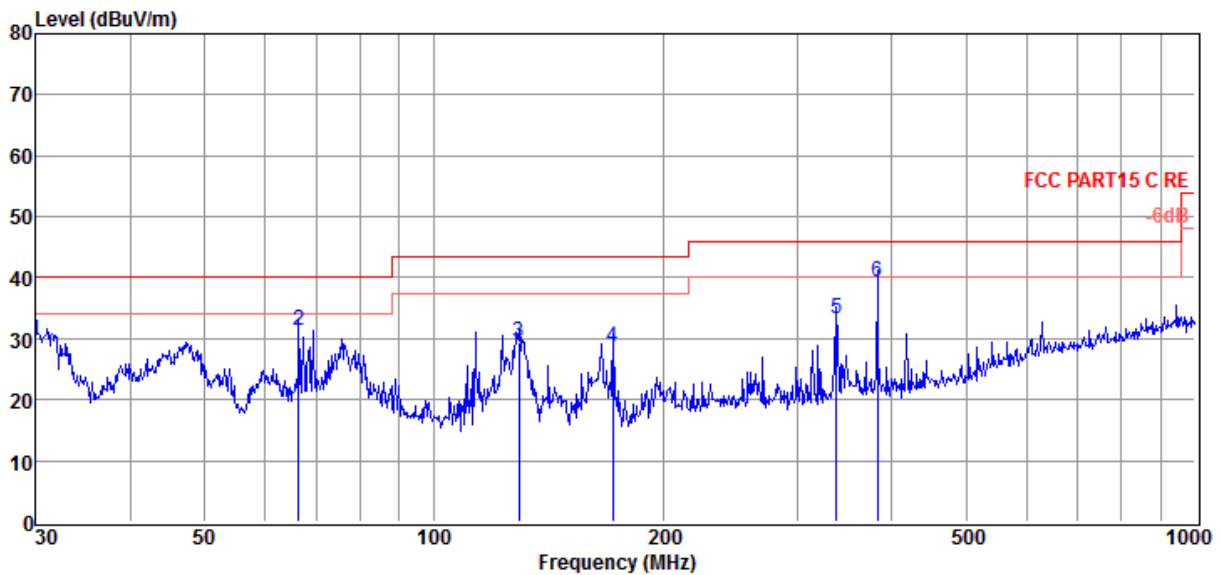
2. If Peak Result complies with QP limit, QP Result is deemed to comply with QP limit.

3. Test setup: RBW: 120 kHz, VBW: 300 kHz, Sweep time: auto.

TR-4-E-009 Radiated Emission Test Result

Test Site : DDT 3m Chamber 1# D:\2018 RE1# Report Data\Q18061111-1E\RE.EM6
Test Date : 2018-07-12 **Tested By** : Michael
EUT : WIRELESS LARGE MULTI-CHANNEL **Model Number** : ENCHANT 1300
 : SOUNDBAR **Test Mode** : Tx mode
Power Supply : AC 120V/60Hz **Antenna/Distance** : 2017 VULB 9163 1#/3m/VERTICAL
Condition : Temp:24.5'C, Humi:55.5%,
 : Press:100.1kPa
Memo :

Data: 13



Item (Mark)	Freq. (MHz)	Read Level (dBμV)	Antenna Factor (dB/m)	Cable Loss dB	Result Level (dBμV/m)	Limit Line (dBμV/m)	Over Limit (dB)	Detector	Polarization
1	30.00	15.45	10.40	3.77	29.62	40.00	-10.38	QP	VERTICAL
2	66.50	17.16	9.93	4.15	31.24	40.00	-8.76	QP	VERTICAL
3	129.47	16.48	8.31	4.64	29.43	43.50	-14.07	QP	VERTICAL
4	172.00	14.51	9.28	4.89	28.68	43.50	-14.82	QP	VERTICAL
5	338.40	13.51	14.10	5.70	33.31	46.00	-12.69	QP	VERTICAL
6	382.59	18.41	14.91	5.88	39.20	46.00	-6.80	QP	VERTICAL

Note: 1. Result Level = Read Level + Antenna Factor + Cable loss.
 2. If Peak Result complies with QP limit, QP Result is deemed to comply with QP limit.
 3. Test setup: RBW: 120 kHz, VBW: 300 kHz, Sweep time: auto.

Radiated Emission test (above 1GHz)

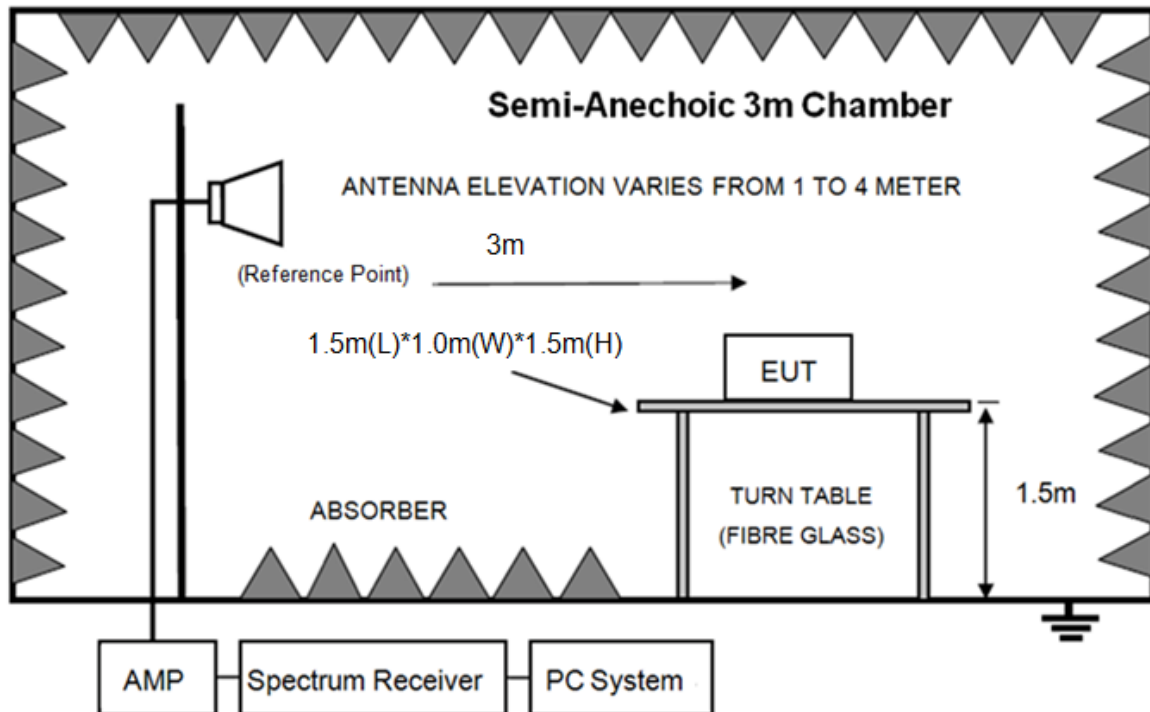
Freq. (MHz)	Read level (dB μ V)	Antenna Factor (dB/m)	PRM Factor (dB)	Cable Loss (dB)	Result Level (dB μ V/m)	Limit (dB μ V/m)	Margin (dB)	Detector type	Polarization
GFSK Tx mode 2405.35MHz									
6202.00	44.03	35.70	43.26	8.23	44.70	74.00	-29.30	Peak	HORIZONTAL
7222.00	43.75	36.89	43.57	8.53	45.60	74.00	-28.40	Peak	HORIZONTAL
12271.00	44.55	38.85	44.17	11.07	50.30	74.00	-23.70	Peak	HORIZONTAL
13206.00	43.47	39.51	44.40	11.56	50.14	74.00	-23.86	Peak	HORIZONTAL
14532.00	42.36	41.51	44.41	12.63	52.09	74.00	-21.91	Peak	HORIZONTAL
5675.00	45.53	35.57	43.40	8.01	45.71	74.00	-28.29	Peak	VERTICAL
6712.00	44.32	36.17	43.41	8.30	45.38	74.00	-28.62	Peak	VERTICAL
7885.00	44.10	37.15	43.77	9.13	46.61	74.00	-27.39	Peak	VERTICAL
11285.00	45.08	38.69	44.21	11.03	50.59	74.00	-23.41	Peak	VERTICAL
12883.00	43.07	39.18	44.32	11.31	49.24	74.00	-24.76	Peak	VERTICAL
GFSK Tx mode 2439.35MHz									
4553.00	45.29	34.28	44.07	7.13	42.63	74.00	-31.37	Peak	HORIZONTAL
5760.00	44.97	35.60	43.34	8.06	45.29	74.00	-28.71	Peak	HORIZONTAL
7443.00	44.15	36.98	43.63	8.73	46.23	74.00	-27.77	Peak	HORIZONTAL
12526.00	43.37	38.83	44.23	11.17	49.14	74.00	-24.86	Peak	HORIZONTAL
13903.00	42.37	39.96	44.58	12.26	50.01	74.00	-23.99	Peak	HORIZONTAL
5114.00	46.59	35.11	43.73	7.65	45.62	74.00	-28.38	Peak	VERTICAL
6321.00	44.93	35.70	43.30	8.25	45.58	74.00	-28.42	Peak	VERTICAL
7732.00	44.03	37.09	43.72	8.99	46.39	74.00	-27.61	Peak	VERTICAL
12101.00	44.36	38.88	44.13	11.01	50.12	74.00	-23.88	Peak	VERTICAL
14481.00	42.30	41.44	44.43	12.61	51.92	74.00	-22.08	Peak	VERTICAL
GFSK Tx mode 2477.35MHz									
5080.00	45.07	35.08	43.75	7.63	44.03	74.00	-29.97	Peak	HORIZONTAL
6474.00	44.75	35.70	43.34	8.27	45.38	74.00	-28.62	Peak	HORIZONTAL
7596.00	42.97	37.04	43.68	8.87	45.20	74.00	-28.80	Peak	HORIZONTAL
11557.00	44.38	38.63	44.17	11.01	49.85	74.00	-24.15	Peak	HORIZONTAL
12968.00	43.60	39.27	44.34	11.34	49.87	74.00	-24.13	Peak	HORIZONTAL
5573.00	44.51	35.53	43.46	7.94	44.52	74.00	-29.48	Peak	VERTICAL
6848.00	44.56	36.47	43.45	8.31	45.89	74.00	-28.11	Peak	VERTICAL
8089.00	42.28	37.22	43.83	9.33	45.00	74.00	-29.00	Peak	VERTICAL
10877.00	44.65	38.73	44.27	11.04	50.15	74.00	-23.85	Peak	VERTICAL
12424.00	40.90	38.82	44.21	11.13	46.64	74.00	-27.36	Peak	VERTICAL
Result: Pass									

Note 1: Result Level = Read Level + Antenna Factor + Cable loss - PRM Factor.

2: For emissions above 1GHz. If peak results comply with AV limit, AV Result is deemed to comply with AV limit.

6. Band Edge Compliance

6.1. Block diagram of test setup



6.2. Limit

All the lower and upper band-edges emissions appearing within 2310MHz to 2390MHz and 2483.5MHz to 2500MHz restricted frequency bands shall not exceed the limits shown in 15.209, all the other emissions outside operation frequency band 2400MHz to 2483.5MHz and 5725MHz to 5850MHz shall be at least 20dB below the fundamental emissions, or comply with 15.209 limits.

6.3. Test Procedure

Same with clause 8.3 except change investigated frequency range from 2310MHz to 2410MHz and 2475MHz to 2500MHz.

Remark: All restriction band have been tested, and only the worst case is shown in report.

6.4. Test result

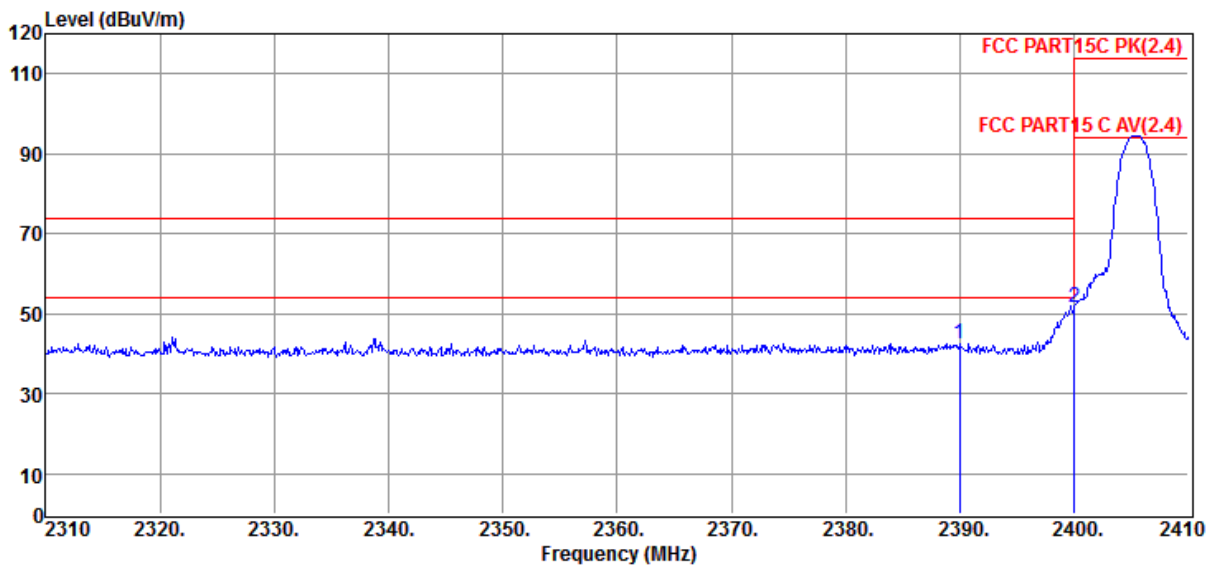
PASS. (See below detailed test result)

TR-4-E-009 Radiated Emission Test Result

Test Site : DDT 3m Chamber 1#
Test Date : 2018-06-27
EUT : WIRELESS LARGE MULTI-CHANNEL SOUNDBAR
Power Supply : AC 120V/60Hz
Condition : Temp:24.5°C, Humi:55.5%, Press:100.1kPa
Memo : 2405.35MHz

D:\2018 RE1# Report Data\Y20180604-1E Enchant1300\RF.EM6
Tested By : Sunny
Model Number : ENCHANT 1300
Test Mode : Tx mode
Antenna/Distance : 2017 HF907/3m/HORIZONTAL

Data: 254



Item (Mark)	Freq. (MHz)	Read Level (dBμV)	Antenna Factor (dB/m)	PRM Factor dB	Cable Loss dB	Result Level (dBμV/m)	Limit Line (dBμV/m)	Over Limit (dB)	Detector	Polarization
1	2390.00	54.55	27.00	44.32	5.11	42.34	74.00	-31.66	Peak	HORIZONTAL
2	2400.00	63.58	27.04	44.32	5.12	51.42	74.00	-22.58	Peak	HORIZONTAL

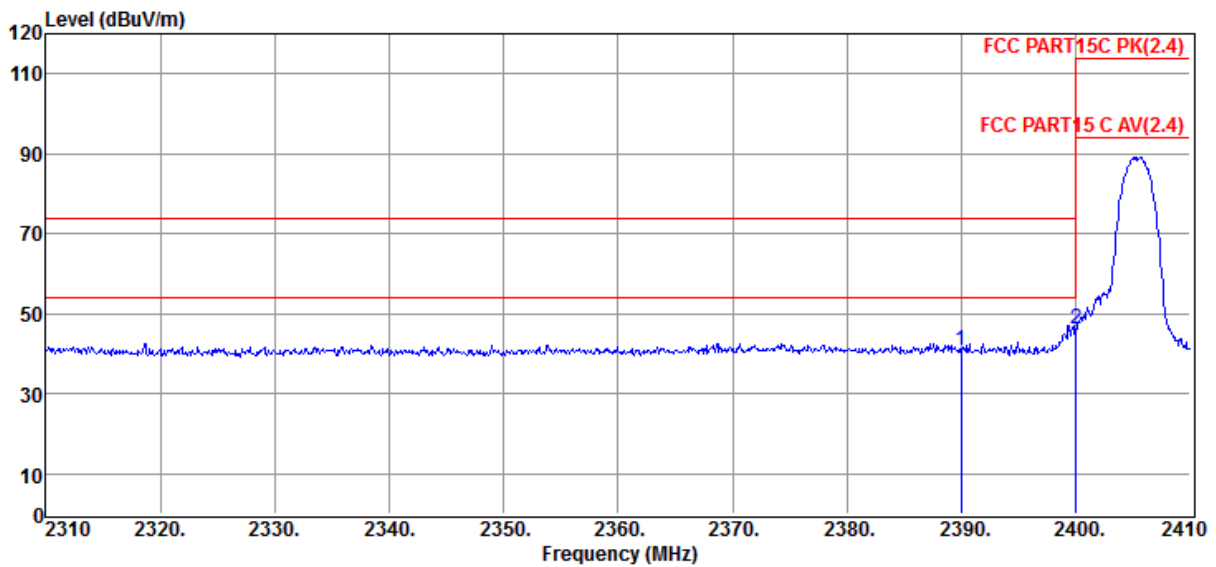
- Note: 1. Result Level = Read Level + Antenna Factor + Cable loss - PRM Factor.
 2. If Peak Result complies with AV limit, AV Result is deemed to comply with AV limit.
 3. Test setup: RBW: 1 MHz, VBW: 3 MHz, Sweep time: auto.

TR-4-E-009 Radiated Emission Test Result

Test Site : DDT 3m Chamber 1#
Test Date : 2018-06-27
EUT : WIRELESS LARGE MULTI-CHANNEL SOUNDBAR
Power Supply : AC 120V/60Hz
Condition : Temp:24.5°C, Humi:55.5%, Press:100.1kPa
Memo : 2405.35MHz

D:\2018 RE1# Report Data\Y20180604-1E
Enchant1300\RF.EM6
Tested By : Sunny
Model Number : ENCHANT 1300
Test Mode : Tx mode
Antenna/Distance : 2017 HF907/3m/VERTICAL

Data: 255



Item (Mark)	Freq. (MHz)	Read Level (dBμV)	Antenna Factor (dB/m)	PRM Factor dB	Cable Loss dB	Result Level (dBμV/m)	Limit Line (dBμV/m)	Over Limit (dB)	Detector	Polarization
1	2390.00	53.00	27.00	44.32	5.11	40.79	74.00	-33.21	Peak	VERTICAL
2	2400.00	58.43	27.04	44.32	5.12	46.27	74.00	-27.73	Peak	VERTICAL

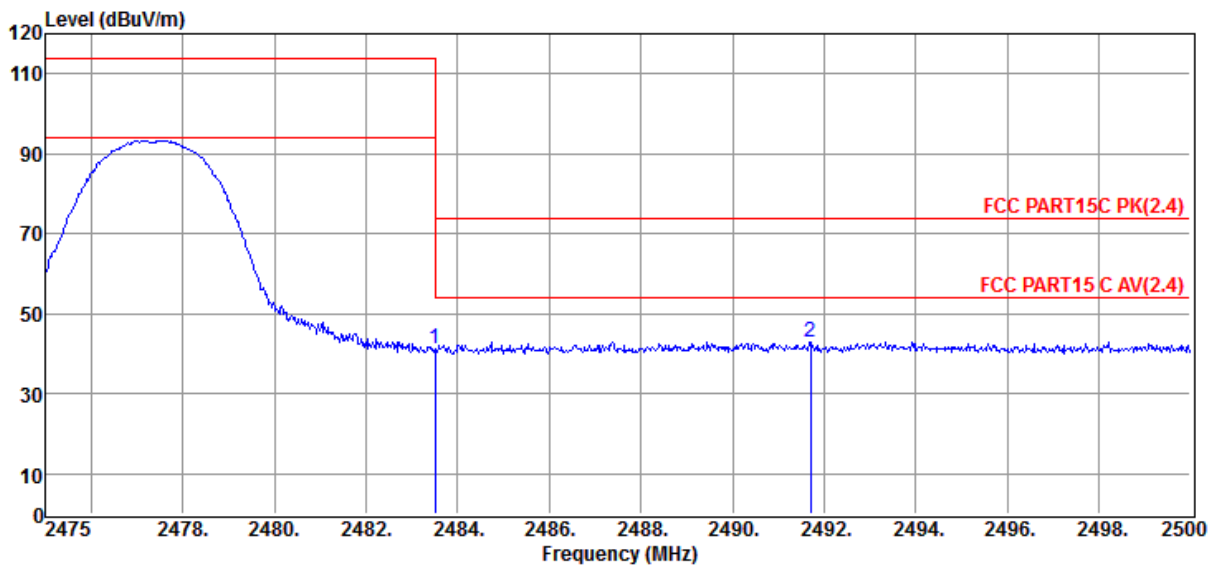
- Note: 1. Result Level = Read Level + Antenna Factor + Cable loss - PRM Factor.
 2. If Peak Result complies with AV limit, AV Result is deemed to comply with AV limit.
 3. Test setup: RBW: 1 MHz, VBW: 3 MHz, Sweep time: auto.

TR-4-E-009 Radiated Emission Test Result

Test Site : DDT 3m Chamber 1#
Test Date : 2018-06-27
EUT : WIRELESS LARGE MULTI-CHANNEL SOUNDBAR
Power Supply : AC 120V/60Hz
Condition : Temp:24.5°C, Humi:55.5%, Press:100.1kPa
Memo : 2477.35MHz

D:\2018 RE1# Report Data\Y20180604-1E
Enchant1300\RF.EM6
Tested By : Sunny
Model Number : ENCHANT 1300
Test Mode : Tx mode
Antenna/Distance : 2017 HF907/3m/HORIZONTAL

Data: 259



Item (Mark)	Freq. (MHz)	Read Level (dBμV)	Antenna Factor (dB/m)	PRM Factor dB	Cable Loss dB	Result Level (dBμV/m)	Limit Line (dBμV/m)	Over Limit (dB)	Detector	Polarization
1	2483.50	53.18	27.34	44.32	5.21	41.41	74.00	-32.59	Peak	HORIZONTAL
2	2491.70	54.77	27.37	44.32	5.22	43.04	74.00	-30.96	Peak	HORIZONTAL

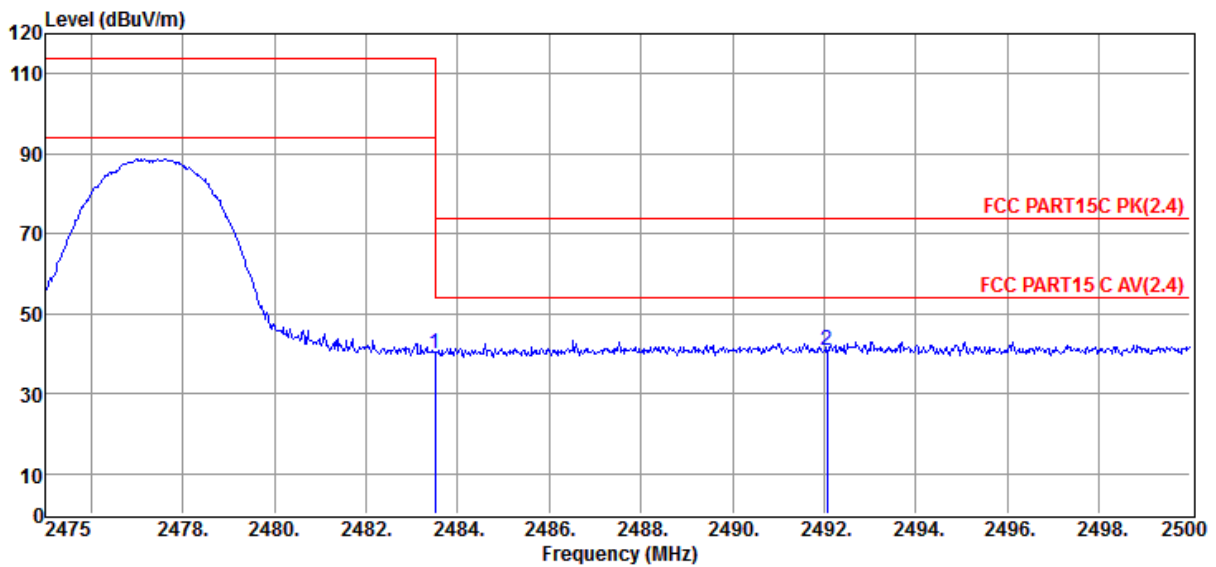
- Note: 1. Result Level = Read Level + Antenna Factor + Cable loss - PRM Factor.
 2. If Peak Result complies with AV limit, AV Result is deemed to comply with AV limit.
 3. Test setup: RBW: 1 MHz, VBW: 3 MHz, Sweep time: auto.

TR-4-E-009 Radiated Emission Test Result

Test Site : DDT 3m Chamber 1#
Test Date : 2018-06-27
EUT : WIRELESS LARGE MULTI-CHANNEL SOUNDBAR
Power Supply : AC 120V/60Hz
Condition : Temp:24.5°C, Humi:55.5%, Press:100.1kPa
Memo : 2477.35MHz

D:\2018 RE1# Report Data\Y20180604-1E
Enchant1300\RF.EM6
Tested By : Sunny
Model Number : ENCHANT 1300
Test Mode : Tx mode
Antenna/Distance : 2017 HF907/3m/VERTICAL

Data: 258

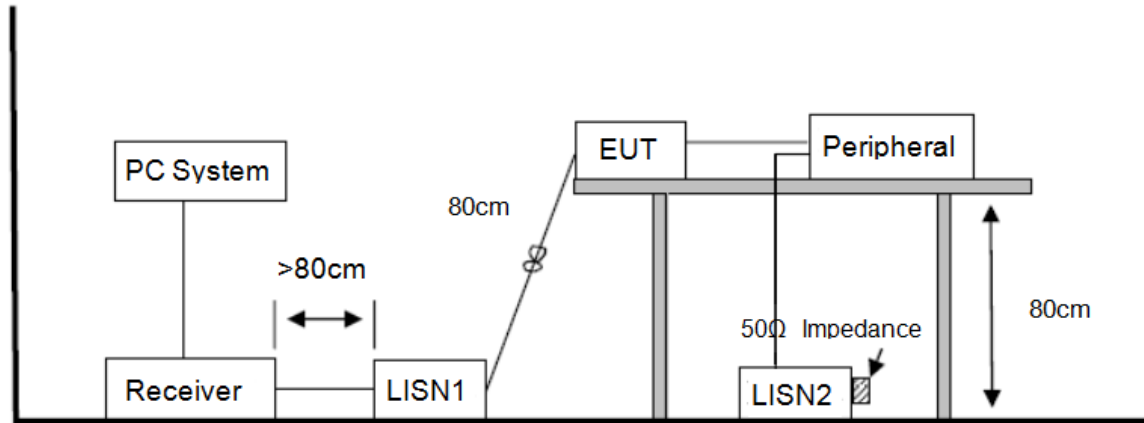


Item (Mark)	Freq. (MHz)	Read Level (dBμV)	Antenna Factor (dB/m)	PRM Factor dB	Cable Loss dB	Result Level (dBμV/m)	Limit Line (dBμV/m)	Over Limit (dB)	Detector	Polarization
1	2483.50	51.95	27.34	44.32	5.21	40.18	74.00	-33.82	Peak	VERTICAL
2	2492.08	52.63	27.37	44.32	5.22	40.90	74.00	-33.10	Peak	VERTICAL

- Note: 1. Result Level = Read Level + Antenna Factor + Cable loss - PRM Factor.
 2. If Peak Result complies with AV limit, AV Result is deemed to comply with AV limit.
 3. Test setup: RBW: 1 MHz, VBW: 3 MHz, Sweep time: auto.

7. Power Line Conducted Emission

7.1. Block diagram of test setup



7.2. Power Line Conducted Emission Limits

Frequency	Quasi-Peak Level dB(μ V)	Average Level dB(μ V)
150kHz ~ 500kHz	66 ~ 56*	56 ~ 46*
500kHz ~ 5MHz	56	46
5MHz ~ 30MHz	60	50

Note 1: * Decreasing linearly with logarithm of frequency.

Note 2: The lower limit shall apply at the transition frequencies.

7.3. Test Procedure

The EUT and Support equipment, if needed, were put placed on a non-metallic table, 80cm above the ground plane.

Configuration EUT to simulate typical usage as described in clause 2.4 and test equipment as described in clause 10.2 of this report.

All I/O cables were positioned to simulate typical actual usage as per ANSI C63.10.

All support equipment power received from a second LISN.

Emissions were measured on each current carrying line of the EUT using an EMI Test Receiver connected to the LISN powering the EUT.

The Receiver scanned from 150 kHz to 30MHz for emissions in each of the test modes.

During the above scans, the emissions were maximized by cable manipulation.

The test mode(s) described in clause 2.4 were scanned during the preliminary test.

After the preliminary scan, we found the test mode producing the highest emission level. The EUT configuration and worse cable configuration of the above highest emission levels were

recorded for reference of the final test.

EUT and support equipment were set up on the test bench as per the configuration with highest emission level in the preliminary test.

A scan was taken on both power lines, Neutral and Line, recording at least the six highest emissions.

Emission frequency and amplitude were recorded into a computer in which correction factors were used to calculate the emission level and compare reading to the applicable limit.

The test data of the worst-case condition(s) was recorded.

The bandwidth of test receiver is set at 9 kHz.

7.4. Test Result

PASS. (See below detailed test result)

Note1: All emissions not reported below are too low against the prescribed limits.

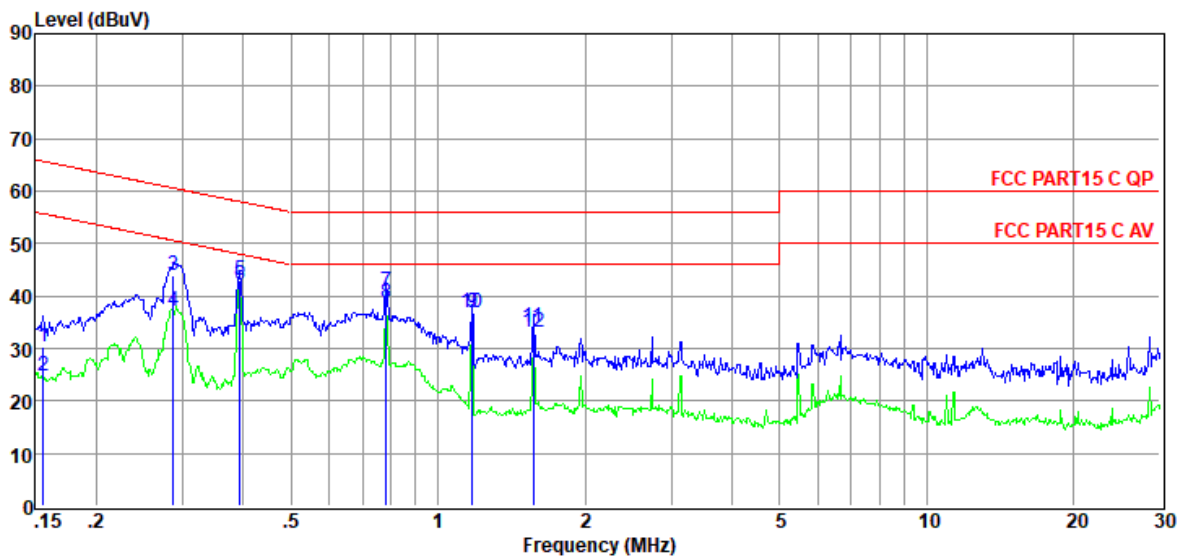
Note2: "----" means Peak detection; "----" means Average detection.

Note3: Pre-test AC conducted emission at both voltage AC 120V/60Hz and AC 240V/50Hz, recorded worst case (AC 120V/60Hz).

TR-4-E-010 Conducted Emission Test Result

Test Site : DDT 1# Shield Room D:\2018 CE report data\Q18061110-1E\CE.EM6
Test Date : 2018-07-12 **Tested By** : Elosky
EUT : WIRELESS LARGE MULTI-CHANNEL **Model Number** : ENCHANT 1300
 : SOUNDBAR
Power Supply : AC 120V/60Hz **Test Mode** : Tx mode
Condition : Temp:24.5°C, Humi:55.5%, **LISN** : 2017 ENV216/NEUTRAL
 : Press:100.1kPa
Memo :

Data: 18



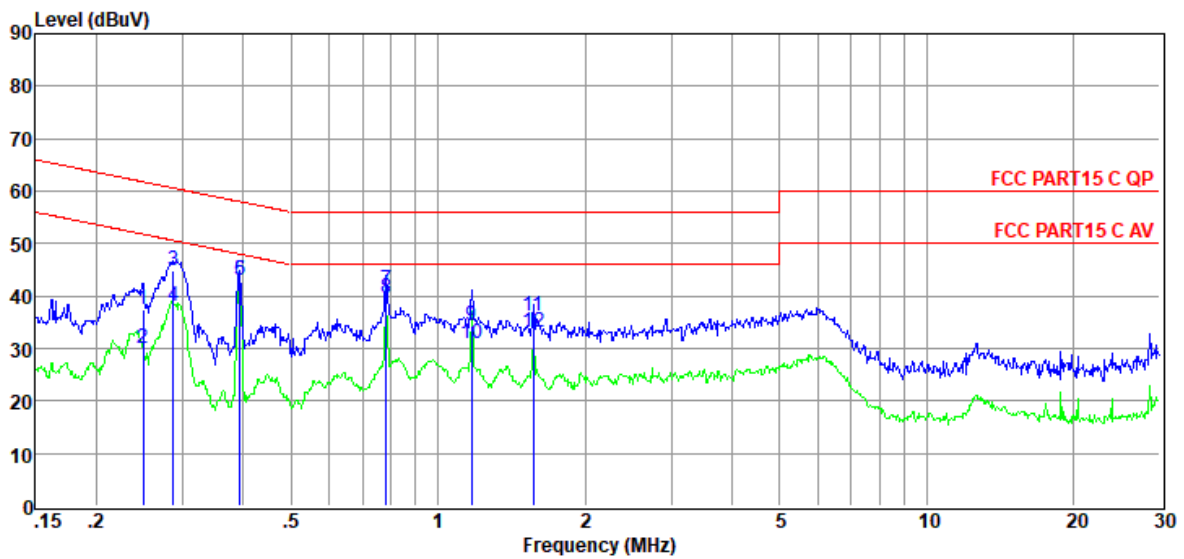
Item	Freq.	Read Level	LISN Factor	Cable Loss	Pulse Limiter Factor	Result Level	Limit Line	Over Limit	Detector	Phase
(Mark)	(MHz)	(dBμV)	(dB)	(dB)	(dB)	(dBμV)	(dBμV)	(dB)		
1	0.16	10.89	9.48	0.04	9.86	30.27	65.69	-35.42	QP	NEUTRAL
2	0.16	5.51	9.48	0.04	9.86	24.89	55.69	-30.80	Average	NEUTRAL
3	0.29	24.77	9.40	0.04	9.86	44.07	60.59	-16.52	QP	NEUTRAL
4	0.29	17.78	9.40	0.04	9.86	37.08	50.59	-13.51	Average	NEUTRAL
5	0.39	23.60	9.37	0.04	9.83	42.84	57.99	-15.15	QP	NEUTRAL
6	0.39	22.76	9.37	0.04	9.83	42.00	47.99	-5.99	Average	NEUTRAL
7	0.78	21.42	9.31	0.10	9.86	40.69	56.00	-15.31	QP	NEUTRAL
8	0.78	19.37	9.31	0.10	9.86	38.64	46.00	-7.36	Average	NEUTRAL
9	1.18	17.64	9.29	0.14	9.86	36.93	56.00	-19.07	QP	NEUTRAL
10	1.18	17.40	9.29	0.14	9.86	36.69	46.00	-9.31	Average	NEUTRAL
11	1.57	14.63	9.28	0.13	9.86	33.90	56.00	-22.10	QP	NEUTRAL
12	1.57	13.79	9.28	0.13	9.86	33.06	46.00	-12.94	Average	NEUTRAL

- Note: 1. Result Level = Read Level + LISN Factor + Pulse Limiter Factor + Cable loss.
 2. If QP Result complies with AV limit, AV Result is deemed to comply with AV limit.
 3. Test setup: RBW: 200 Hz (9 kHz—150 kHz), 9 kHz (150 kHz—30 MHz).
 4. Step size: 80Hz (0.009MHz-0.15MHz), 4 kHz (0.15MHz-30MHz), Scan time: auto.

TR-4-E-010 Conducted Emission Test Result

Test Site : DDT 1# Shield Room D:\2018 CE report data\Q18061110-1E\CE.EM6
Test Date : 2018-07-12 **Tested By** : Elosky
EUT : WIRELESS LARGE MULTI-CHANNEL **Model Number** : ENCHANT 1300
 : SOUNDBAR
Power Supply : AC 120V/60Hz **Test Mode** : Tx mode
Condition : Temp:24.5°C, Humi:55.5%,
 : Press:100.1kPa **LISN** : 2017 ENV216/LINE
Memo :

Data: 20



Item	Freq.	Read Level	LISN Factor	Cable Loss	Pulse Limiter Factor	Result Level	Limit Line	Over Limit	Detector	Phase
(Mark)	(MHz)	(dBμV)	(dB)	(dB)	(dB)	(dBμV)	(dBμV)	(dB)		
1	0.25	18.04	9.52	0.04	9.86	37.46	61.78	-24.32	QP	LINE
2	0.25	10.49	9.52	0.04	9.86	29.91	51.78	-21.87	Average	LINE
3	0.29	25.55	9.53	0.04	9.86	44.98	60.59	-15.61	QP	LINE
4	0.29	18.61	9.53	0.04	9.86	38.04	50.59	-12.55	Average	LINE
5	0.39	23.62	9.53	0.04	9.83	43.02	57.99	-14.97	QP	LINE
6	0.39	23.56	9.53	0.04	9.83	42.96	47.99	-5.03	Average	LINE
7	0.78	21.57	9.56	0.10	9.86	41.09	56.00	-14.91	QP	LINE
8	0.78	20.01	9.56	0.10	9.86	39.53	46.00	-6.47	Average	LINE
9	1.17	14.91	9.57	0.14	9.86	34.48	56.00	-21.52	QP	LINE
10	1.17	11.28	9.57	0.14	9.86	30.85	46.00	-15.15	Average	LINE
11	1.57	16.56	9.59	0.13	9.86	36.14	56.00	-19.86	QP	LINE
12	1.57	13.60	9.59	0.13	9.86	33.18	46.00	-12.82	Average	LINE

Note: 1. Result Level = Read Level + LISN Factor + Pulse Limiter Factor + Cable loss.

2. If QP Result complies with AV limit, AV Result is deemed to comply with AV limit.

3. Test setup: RBW: 200 Hz (9 kHz—150 kHz), 9 kHz (150 kHz—30 MHz).

4. Step size: 80Hz (0.009MHz-0.15MHz), 4 kHz (0.15MHz-30MHz), Scan time: auto.

8. Antenna Requirements

8.1. Limit

For intentional device, according to FCC 47 CFR Section 15.203, an intentional radiator shall be designed to ensure that no antenna other than that furnished by the responsible party shall be used with the device.

8.2. Result

The antennas used for this product are integral PCB Antenna and that no antenna other than that furnished by the responsible party shall be used with the device, the maximum peak gain of the transmit antenna is only 3.9dBi.

END OF REPORT