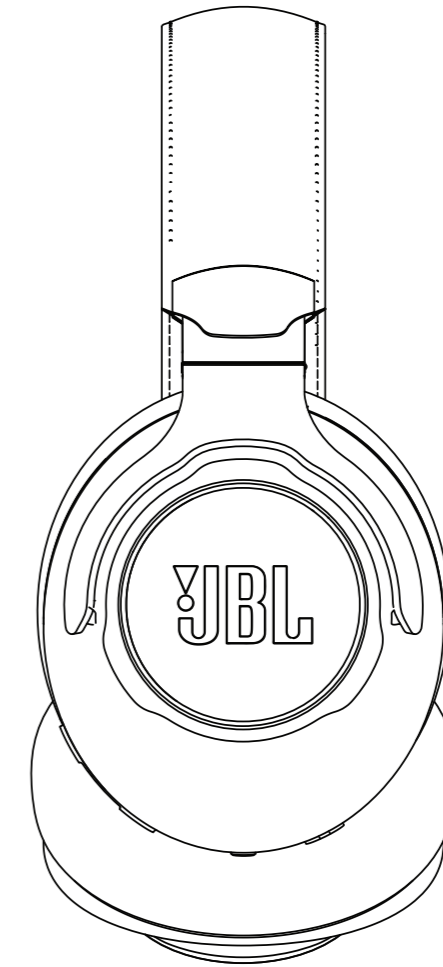




JBL CLUB ONE

CMF + Artworks V22- 2019/10/12



Artwork update history

2018/8/2- Sophie HE - Artwork - V01 - mockup
2018/8/31- Sophie HE - Artwork - V02
2018/9/20- Sophie HE - laser etching, button icon, etc - V03
2018/10/18- Sophie HE - finishing update - V04
2018/10/19- Sophie HE - finishing update - V05
2018/10/30- Sophie HE - AE holes, cables added in - V06
2018/11/5- Sophie HE - add adaptor, update hinge, SR, earcup - V07
2018/11/27- Sophie HE - anodize color, C-hinge color, shaft cover finishing - V08
2018/12/14- Sophie HE - add JBL logo, change plate to steel - V09
2018/12/14- Sophie HE - color update - V10
2018/12/19- Sophie HE - color update - V11
2019/1/25- Sophie HE - lambskin, PRO AUDIO SOUND - V12
2019/3/8- Sophie HE - cables, text and finishin, driver cap, headband, SR - V13
2019/4/22- Sophie HE - Artwork - function icon, LOGO size dimension - V14
2019/4/25- Sophie HE - Artwork - function icon, LOGO size dimension - V15
2019/5/14- Sophie HE - Artwork - plastic driver cap, cable material update - V16
2019/5/21- Sophie HE - Artwork - compliance layout update - V17
2019/6/25- Sophie HE - Artwork - compliance layout update - V18

2019/8/29- Sophie HE - Artwork - V19 - SN, L/R silkscreen
2019/9/3- Sophie HE - Artwork - V20 - Coil cable
2019/9/23- Doris Zhang - Artwork - V21 - Compliance update
2019/10/12- Sophie HE - Artwork - V22 - Compliance update



JBL CLUB ONE

Artworks - Scale 1:1 - Unit: mm

CLUB icon

mask anodizing
finishes: glossy
color: Pantone 10398C



Hinge Cap

material: metal (AL)
finishes: matt, anodizing, high gloss text
color: Pantone 10398C

CLUB icon Position Discription -



C-Hinge

material: Zinc die-casting
finishes: Matt with metallic paint
color: Metallic Black

JBL logo

mask anodizing
finishes: glossy
color: Pantone 10398C



Earcup Deco

material: metal (AL)
finishes: matt, anodizing
high gloss text, high gloss diamond cut ring
color: Pantone 10398C

Earcup (surface behind detachable logo plate included)

material: plastic
finishes: semi-matt with spray painting
color: Pantone Black C





JBL CLUB ONE

Artworks - Scale 1:1 - Unit: mm

Cable

material: fabric
finishes: matt (Refer to sample)
color 1: Pantone Black C

SR

material: rubber
finishes: matt VDI21
color: Pantone Black C

Shaft Pin Cover

material: steel
finishes: Matt with metallic paint
color: Metallic Black

Shaft Pin

material: metal
finishes: Matt with metallic paint
color: Metallic Black

Earcup Deco (cutting edge)

material: AL
finishes: high gloss diamond cut
color: Silver

Headband (outside)

material: Lambskin Leather
finishes: matt (Refer to sample)
color: Pantone Black C

Headband (middle)

material: PU (soft)
finishes: matt
color: Pantone 10395C

Headband (inside)

material: PU (soft)
finishes: matt (Refer to sample)
color: Pantone Black C

Stitching Line (edge)

material: Fabric
finishes: matt (Refer to sample)
color: Pantone 405U

Rubber Stopper

material: rubber
finishes: matt VDI21
color: Pantone Black C

Earcup (Edge)

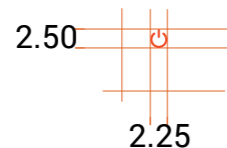
material: plastic
finishes: matt with metallic spray paint
color: Pantone 10398C





JBL CLUB ONE

Artworks - Scale 1:1 - Unit: mm



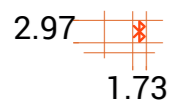
Power Button (with LED)

Buttons (1 piece)

material: rubber
finishes: matt VDI21
color: Pantone Black C

Button icon

inmold, 0.2mm debossed
finishes: gloss



Paring (bluetooth) Button (with LED)



Smart Button (with LED)

GA Button

Volume up,play/ pause, volume down buttons

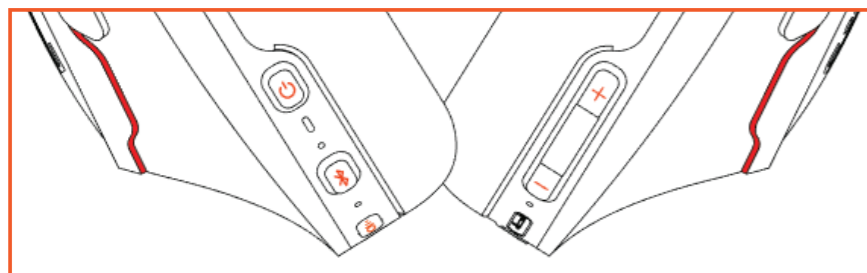


Type-C (with charging LED)

Mic

AUX (X 2)

Button Icon Direction



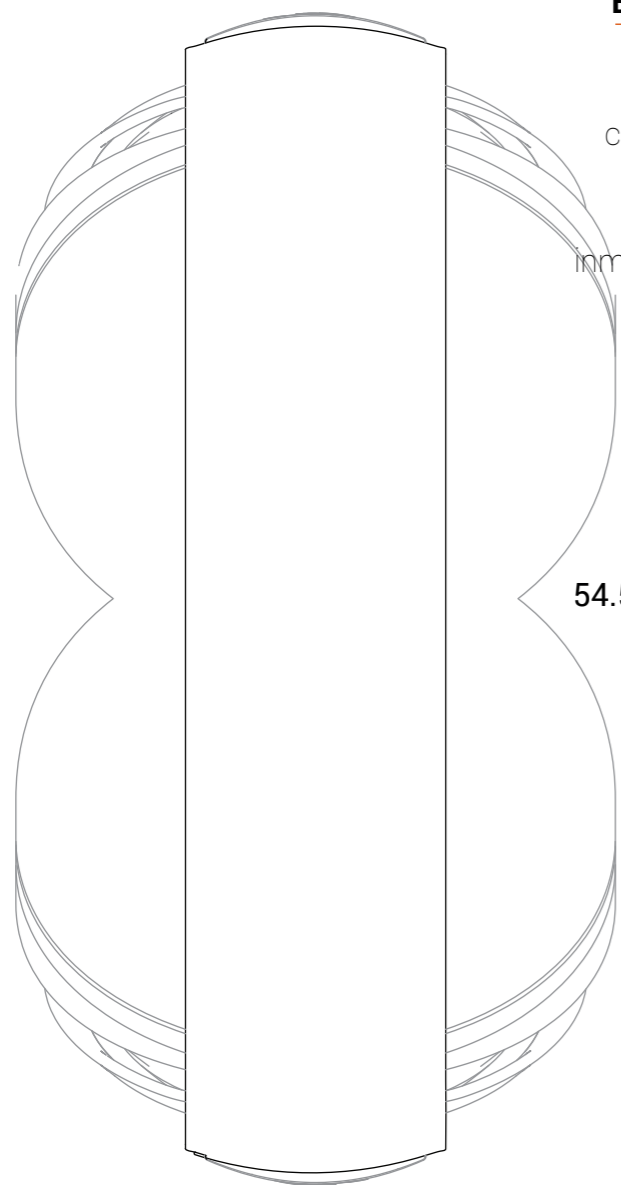
LED light (X 4)

material: plastic
finishes: matt, transparent



JBL CLUB ONE

Artworks - Scale 1:1 - Unit: mm



Earcup inner housing

material: plastic
finishes: matt VDI30
color: Pantone Black C

slogan text

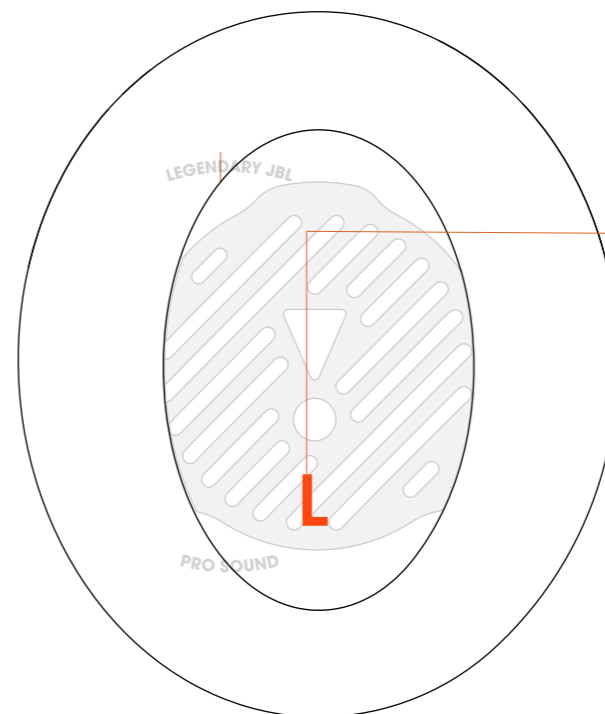
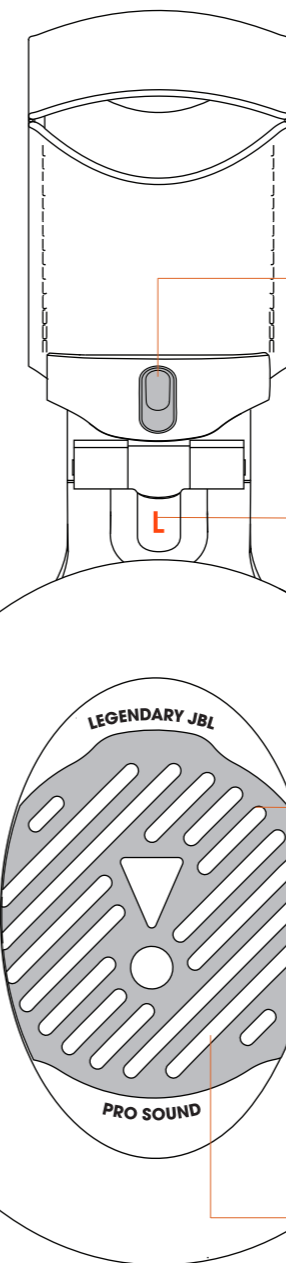
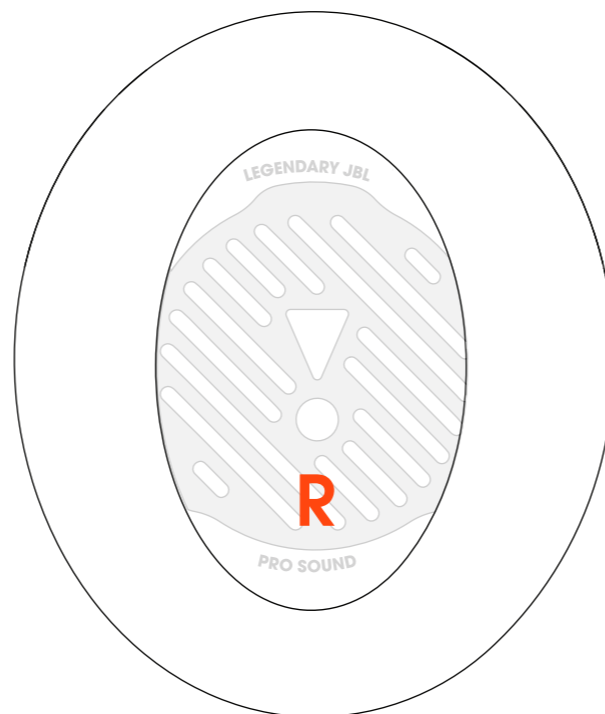
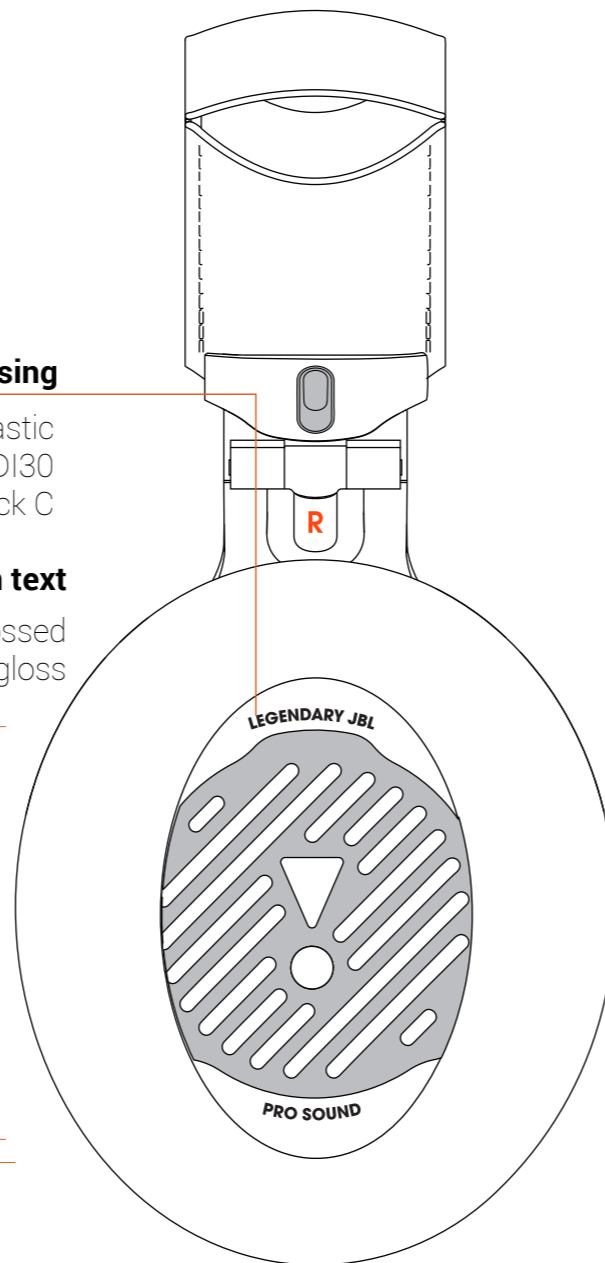
inmold, 0.2mm debossed
finishes: gloss

54.53

LEGENDARY JBL

PRO SOUND

16.67

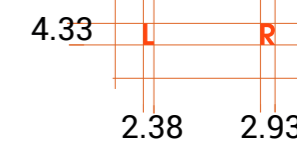


SR

material: plastic
finishes: matt with metallic spray paint
color: Pantone 10399C

L/R icon

printing
color: Pantone 10399C



Speaker Mesh

material: Nylon mesh
(refer to sample)
color: Pantone Black C

Ear Cushion

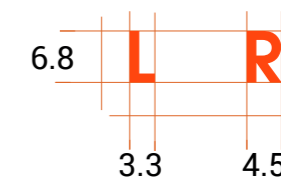
material: PU (soft)
finishes: matt,
with Nylon Mesh (refer to sample)
color: Pantone Black C

Driver Plate

material: plastic
finishes: matt, VDI21
with metallic spray paint
color: Pantone Silver

L/R icon (on nylon mesh)

printing
finishing: matt
color 1: Cool Grey 6C
color 2: Pantone Silver 10394C
color 3: Pantone 10077C





JBL CLUB ONE

Artworks - Scale 1:1 - Unit: mm

Compliance (on slider)

Printing
finishing: matt
Pantone Cool Grey 8C



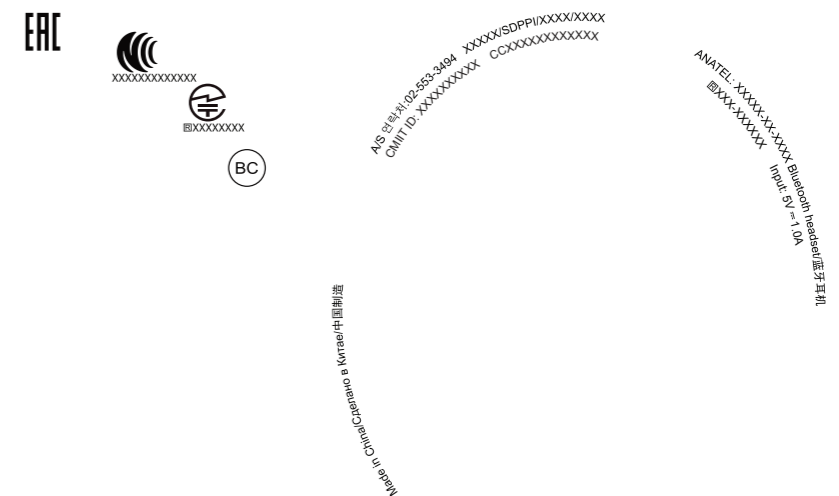
Serial Number (on slider)

Laser etching
color: Pantone Black C
(laser etch away the silk print layer)



Compliance (on driver cup)

laser etching





JBL CLUB ONE

Artworks - Scale 1:1 - Unit: mm



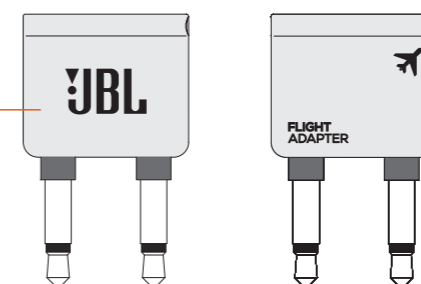
Adaptor

PIN Color : Gold
 Line Color
 Pantone 426C



Shaft Pin Cover

material: AL
 finishes: anodized matt
 color: Pantone 10398C



JBL logo and icons

mask anodizing
 finishes: glossy
 color: Pantone 10398C



Earcup inner housing

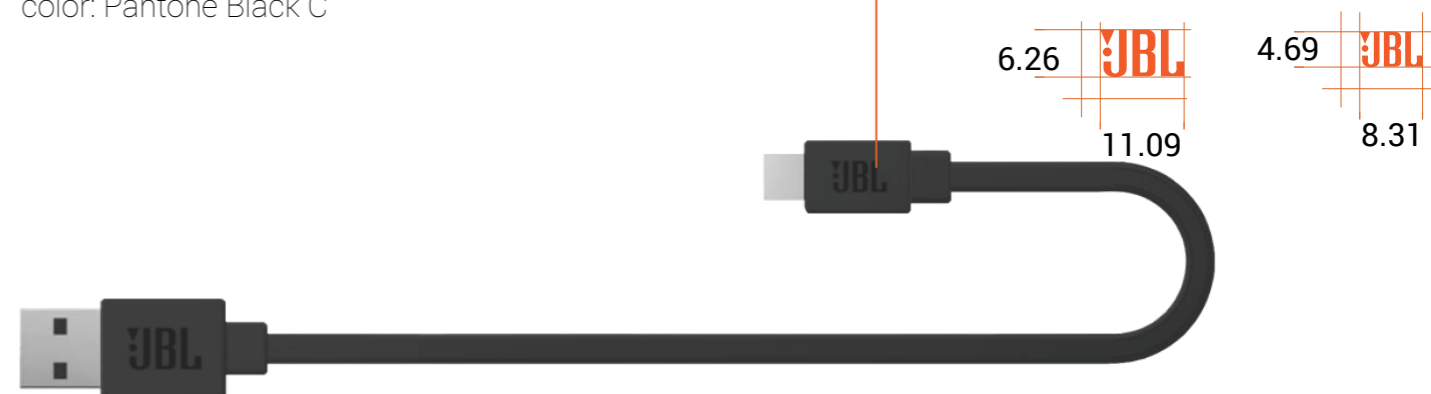
material: plastic
 finishes: matt VDI30
 color: Pantone Black C



Type-C Cable

material: TPE
 finishing: Matt VDI24, in mold High Polished JBL logo
 color: Pantone Black C

icons
 finishes: Glossy
 Engrave: - 0.2mm





JBL CLUB ONE

Artworks - Scale 1:1 - Unit: mm

Cable

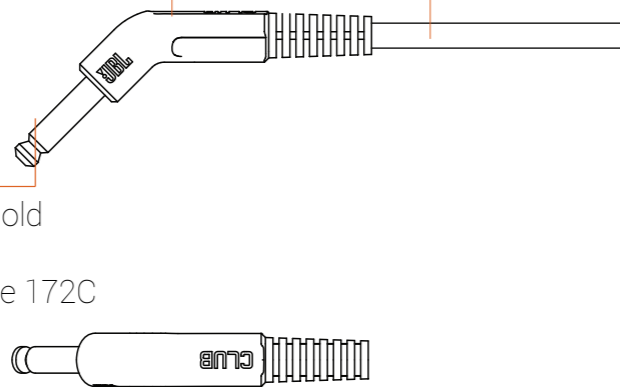
material: fabric (refer to sample)
finishes: matt
color: Pantone Black C

Jack

material: TPE
finishes: matt VDI 24
color: Pantone Black C

PIN

PIN Color : Gold
Line Color
color: Pantone 172C



Button

material: rubber
finishes: matt VDI 21
color: Pantone Black C

Remote Housing

material: plastic
finishes: matt, VDI24
with metallic spray paint
color: Pantone 10398C

SR

material: TPE
finishes: matt VDI 21
color: Pantone Black C

Jack Housing

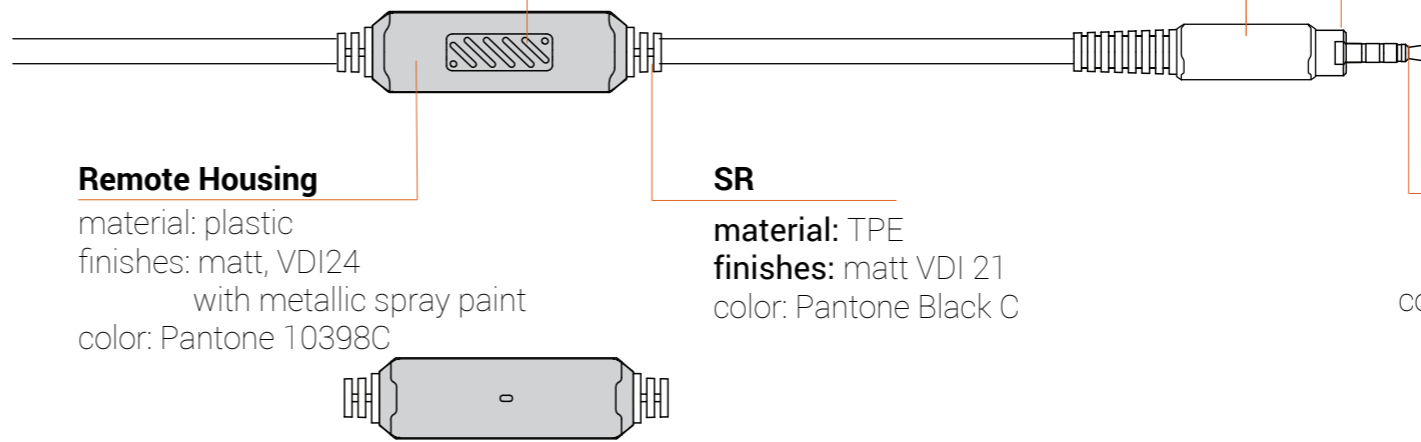
material: TPE
finishes: matt VDI 24
color: Pantone Black C

Jack

material: plastic
finishes: matt VDI 24
color: Pantone Black C

PIN

PIN Color : Gold
Line Color
color: Pantone 172C



Cable

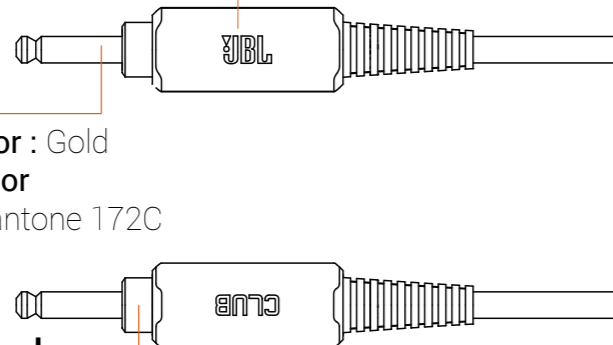
material: TPE
finishes: matt
color: Pantone Black C

Jack

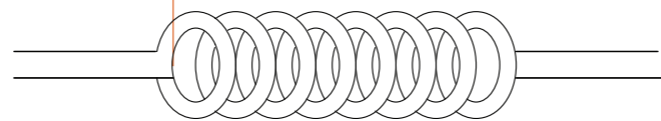
material: TPE
finishes: matt VDI 24
color: Pantone Black C

PIN

PIN Color : Gold
Line Color
color: Pantone 172C



(COIL CABLE)



Jack Housing

material: TPE
finishes: matt VDI 24
color: Pantone Black C

Jack

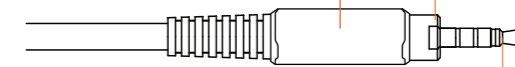
material: plastic
finishes: matt VDI 24
color: Pantone Black C

PIN

PIN Color : Gold
Line Color
color: Pantone 172C

Screw Lock

material: metal with screw thread
finishes: matt
color: Gold (refer to the pin)



icons
finishes: Glossy
Engrave: - 0.2mm

2.2
3.90

2.38
7.32

icons
finishes: Glossy
Engrave: - 0.2mm

3.67
6.50

2.75
8.48

