



JBL CLUB950NC

CMF + Artworks V21- 2019/8/8



Artwork update history

- 2018/9/6- Sophie HE - Artwork - V01 - draft
- 2018/10/17- Sophie HE - Artwork - V02 - update (hinge cap, earcup deco not confirmed)
- 2018/11/7- Sophie HE - Artwork - V03 - update hinge, SR, cables, buttons
- 2018/11/28- Sophie HE - Artwork - V04 -color
- 2018/12/6- Sophie HE - Artwork - V05 -remote control
- 2018/12/20- Sophie HE - Artwork - V06 - compliance, driver plate, JBL logo
- 2019/1/11- Sophie HE - Artwork - V09
- 2019/1/14- Sophie HE - Artwork - V10 - driver plate
- 2019/1/15- Sophie HE - Artwork - V11 - SMART AUDIO text
- 2019/1/22- Sophie HE - Artwork - V12 - MIC hole, silkscreen pantone
- 2019/3/11- Sophie HE - Artwork - V13 - cables, text and finishing
- 2019/4/22- Sophie HE - Artwork - V14 - function icon, LOGO size dimension
- 2019/4/25- Sophie HE - Artwork - V15 - tooling texture define, icons
- 2019/4/26- Sophie HE - Artwork - V16 - JBL logo on headband- in mold
- 2019/5/13- Sophie HE - Artwork - V17 - headband JBL logo define
- 2019/5/21- Sophie HE - Artwork - V18 - compliance layout
- 2019/5/24- Sophie HE - Artwork - V19 - compliance layout
- 2019/6/24- Sophie HE - Artwork - V20- compliance layout
- 2019/8/8- Doris Zhang - Artwork - V21- compliance updated



JBL CLUB950NC

Artworks - Scale 1:1 - Unit: mm

CLUB icon

silkscreen
finishes: semi-transparent, glossy
color 1: Pantone 10395C
color 2: Pantone 10394C
color 3: Pantone 10398C



JBL logo

finishes: silkscreen
finishes: glossy
color 1: Pantone 10395C (after NCVM)
color 2: Pantone 10394C (after NCVM)
color 3: Pantone 10398C (before NCVM)



Hinge Cap

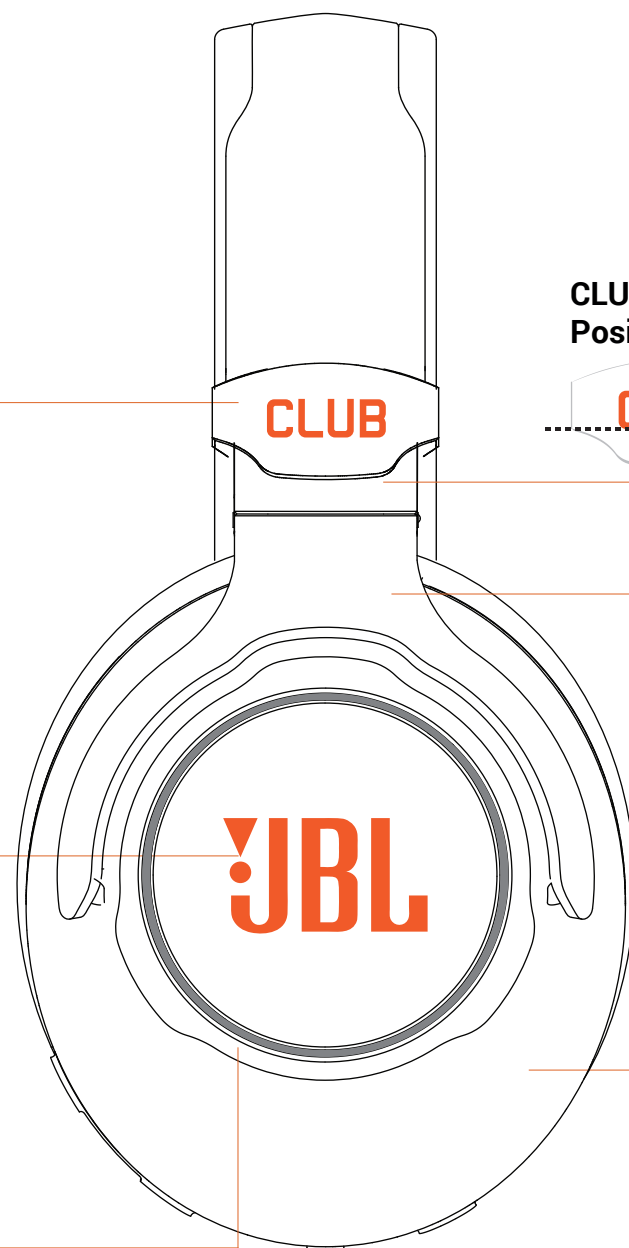
material: plastic
finishes: NCVM, matt
color 1: Pantone 10398C
color 2: Pantone Silver 10077C
color 3: Pantone 10397C

Earcup Deco (circle shape)

material: plastic
- color 1: Pantone 10398C
finishes: NCVM, matt
- color 2: Pantone Silver 10077C
finishes: NCVM, matt
- color 3: Purple + Blue (refer to sample)
finishes: NCVM, gloss

Earcup Deco (irregular shape)

material: plastic
- color 1: Pantone 10398 C
finishes: NCVM, matt
- color 2: Pantone Silver 10077C
finishes: NCVM, matt
- color 3: Purple + Blue (refer to sample)
finishes: NCVM, semi-gloss



CLUB icon Position Discription -



C-Hinge

material: Zinc die-casting
finishes: Matt with metallic paint
color 1: Metallic Black
color 2: Pantone Silver 10077 50%
color 3: Metallic Black

Earcup

material: plastic
finishes: semi-matt with spray paint
color 1: Pantone Black C
color 2: Apple White
color 3: Pantone Black C



JBL CLUB950NC

Artworks - Scale 1:1 - Unit: mm

Cable

material: fabric
finishes: matt (Refer to sample)
color 1: Pantone Black C
color 2: Pantone 7540C
color 3: Pantone Black C

SR

material: rubber
finishes: matt VDI21
color 1: Pantone Black C
color 2: Pantone 7540C
color 3: Pantone Black C

Shaft Pin Cover

material: steel
finishes: Matt with metallic paint
color 1: Metallic Black
color 2: Pantone Silver 10077 50%
color 3: Metallic Black

Shaft Pin

material: metal
finishes: Matt with metallic paint
color 1: Metallic Black
color 2: Pantone Silver 10077 50%
color 3: Metallic Black

Earcup Deco (cutting edge)

material: plastic
finishes: NCVM, high gloss
color 1: Silver
color 2: Silver
color 3: Pantone 10397C

Headband (outside)

material: plastic
finishes: semi matt VDI27
color 1: Pantone Black C
color 2: Pantone Silver 10077 50%
color 3: Pantone 10398C

Headband (inside)

material: PU (with dots imprint)
finishes: matt
color 1: Pantone Black C
color 2: Pantone 7540C
color 3: Pantone Black C

Rubber Stopper

material: rubber
finishes: matt VDI21
color 1: Pantone Black C
color 2: Cool Grey 4C
color 3: Pantone Black C

Earcup (Edge)

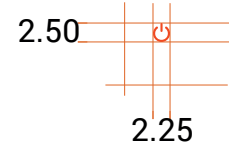
material: plastic
finishes: matt with metallic spray paint
color 1: Pantone 10398C
color 2: Pantone Silver 10077C
color 3: Pantone 10397C





JBL CLUB950NC

Artworks - Scale 1:1 - Unit: mm



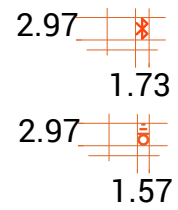
Power Button (LED)

Buttons (1 piece)

material: rubber
finishes: matt VDI21
color 1: Pantone Black C
color 2: Pantone 7540C
color 3: Pantone Black C

Button icon (X 5)

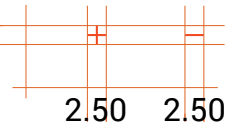
inmold, 0.2mm debossed
finishes: gloss



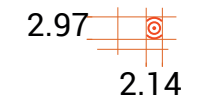
Paring (bluetooth) Button (LED)

Smart Button (LED)

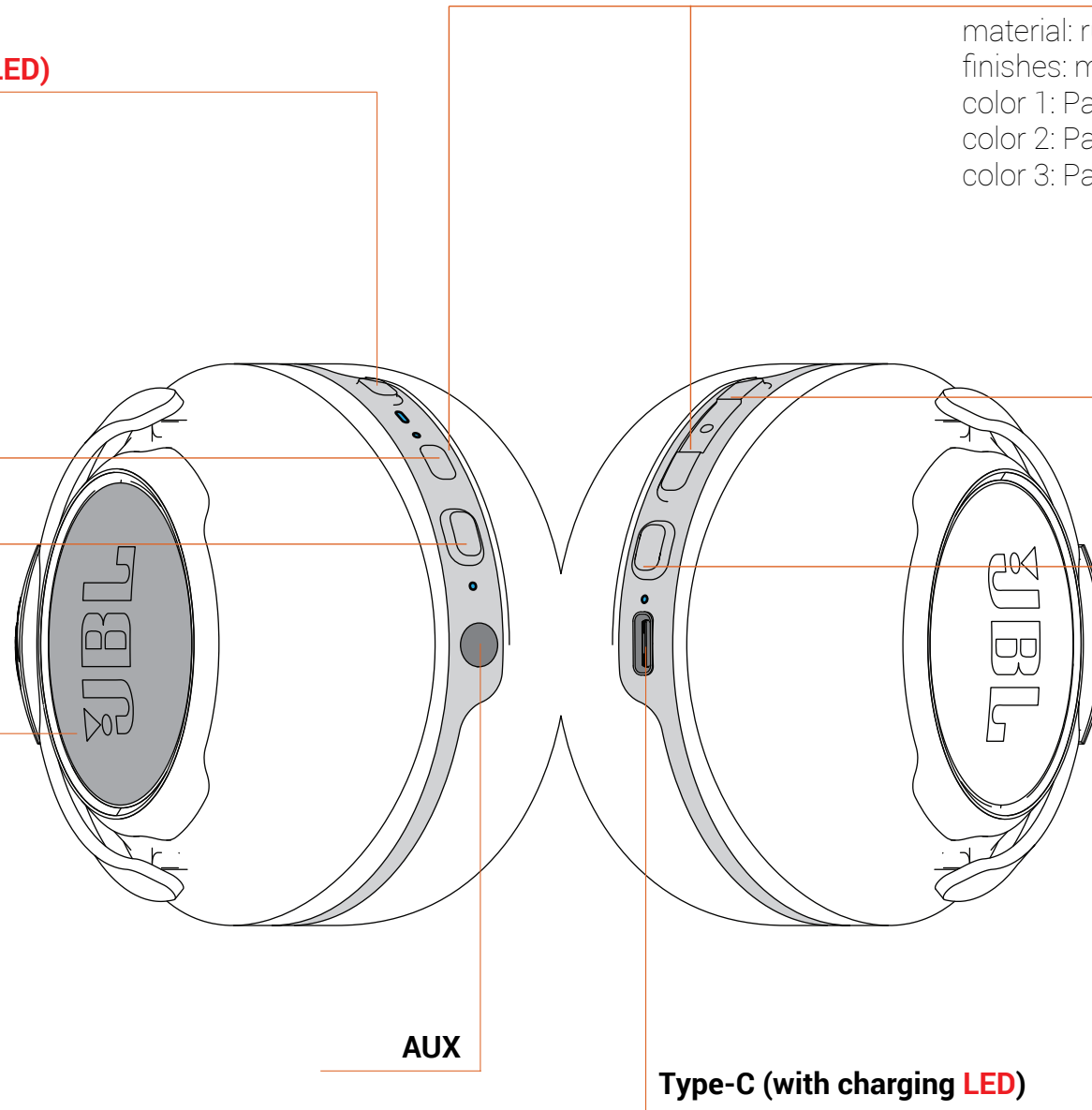
Volume up,play/ pause, volume down buttons 2.50



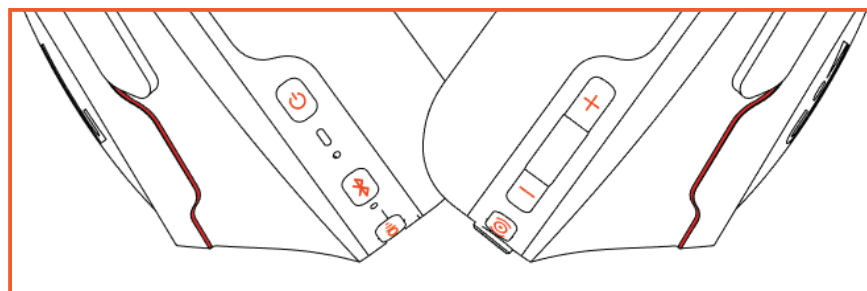
Base Boost Button



GA Button



Button Icon Direction



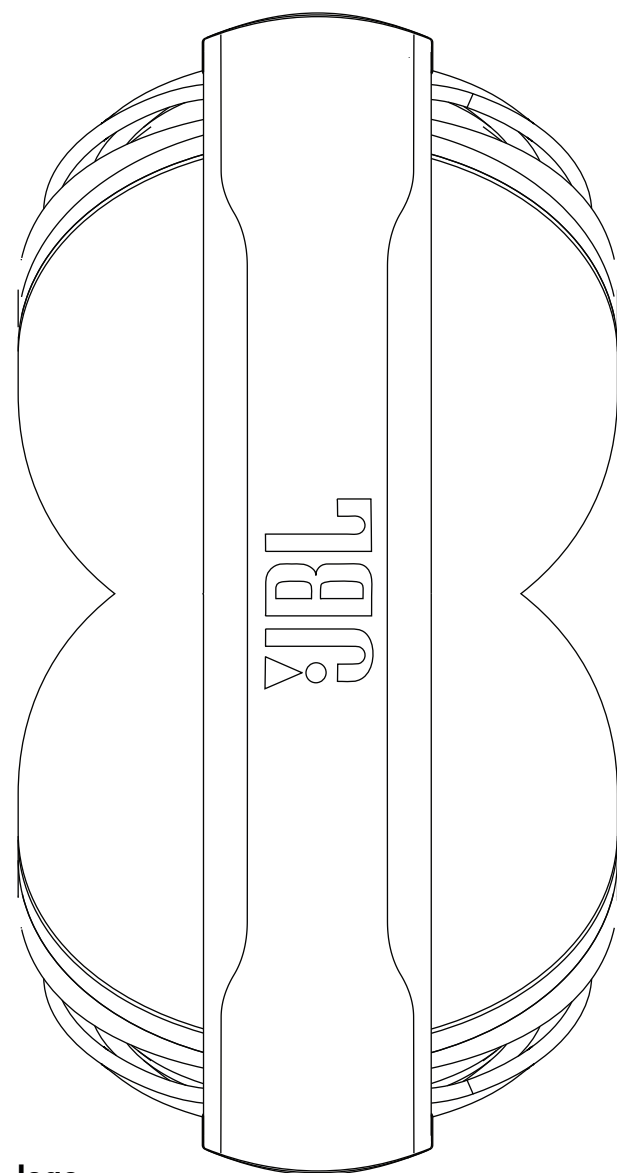
LED light (X 4)

material: plastic
finishes: matt, transparent



JBL CLUB950NC

Artworks - Scale 1:1 - Unit: mm



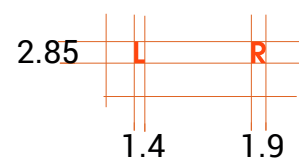
JBL logo

inmold, debossed 0.08mm
(refer to TUNE TWS 120 charging case JBL logo)
finishes: glossy



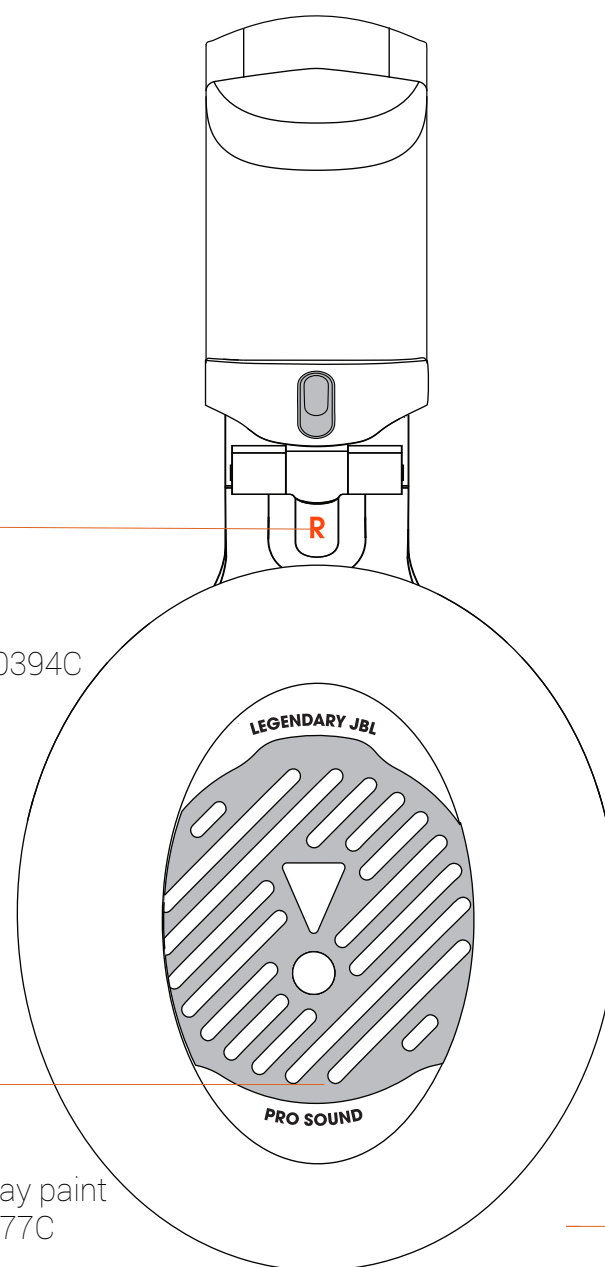
L/R icon

printing
finishing: gloss
color 1: Pantone 10077C
color 2: Pantone Silver 10394C
color 3: Pantone 10077C



Driver Plate

material: plastic
finishes: matt
with metallic spray paint
color: Pantone Silver 10077C



slogan text

inmold, 0.2mm debossed
finishes: gloss

54.53

LEGENDARY JBL

PRO SOUND

16.67

SR

material: plastic
finishes: matt NCVM
color 1: Pantone 10399C
color 2: Pantone 10103C
color 3: Pantone 10394C

Speaker Mesh

material: Nylon mesh
(refer to sample)
color 1: Pantone Black C
color 2: color 2: Pantone 7540C
color 3: Pantone Black C

Ear Cushion

material: PU (soft)
finishes: matt,
with Nylon Mesh (refer to sample)
color 1: Pantone Black C
color 2: Pantone 7540C
color 3: Pantone Black C

Earcup inner housing

material: plastic
finishes: matt VDI30
color 1: Pantone Black C
color 2: color 2: Pantone 7540C
color 3: Pantone Black C



JBL CLUB950NC

Artworks - Scale 1:1 - Unit: mm

Compliance (on slider)

Printing

finishing: matt

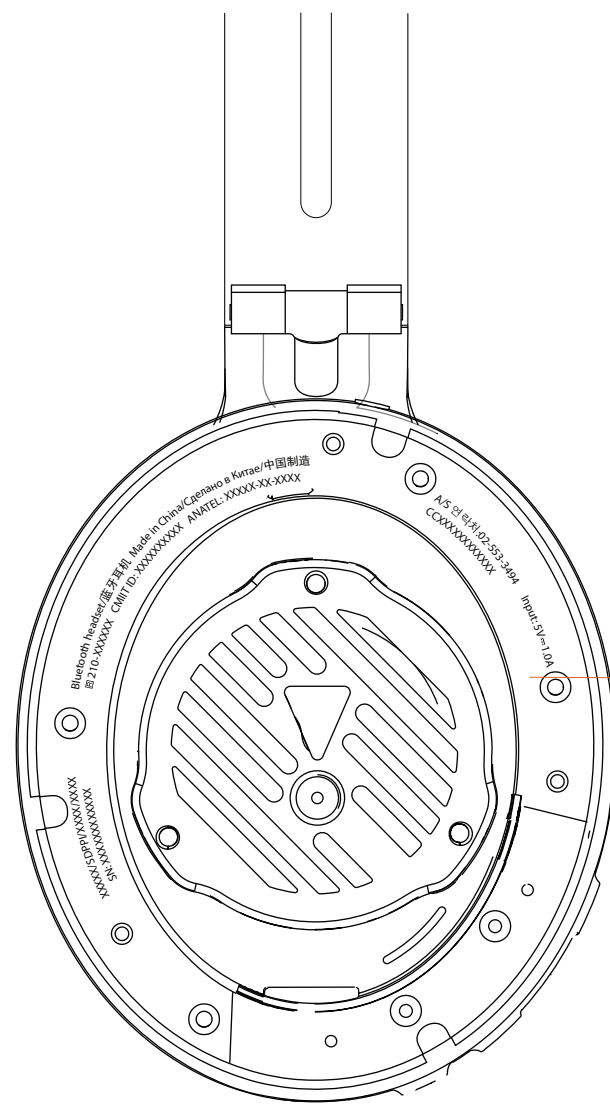
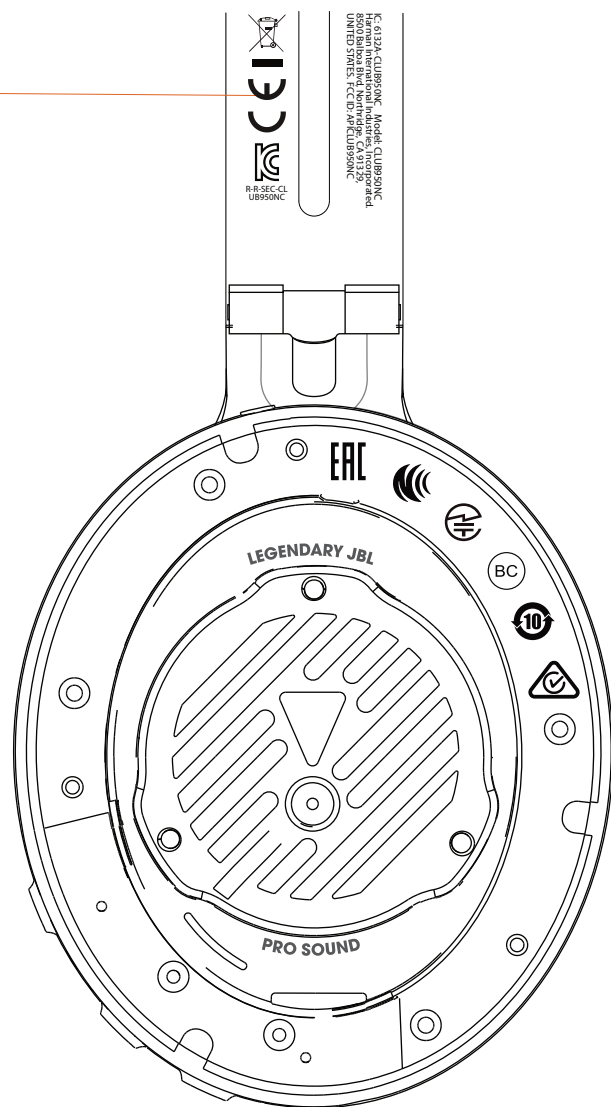
color 1: Pantone Cool Grey 8C

color 2: Pantone Cool Grey 5C

color 3: Pantone Cool Grey 8C



E-1313A-CLUB950NC Model: CLUB950NC
Harman International Inc. 100 Corporate
Blvd. Paramaribo, MD 21076
UNITED STATES, FCC ID: A7ECLUB950NC



Compliance (on driver cup)

laser etching



Bluetooth headset/蓝牙耳机 Made in China/中国制造
ANATEL: XXXXX-XX-XXXX
A/S of s/n: 102-553-304 In-use: 91-104
XXXXXXXXXXXXXX

XXXXXXXXXXXXXX
XXXXXXXXXXXXXX
XXXXXXXXXXXXXX



JBL CLUB950NC

Artworks - Scale 1:1 - Unit: mm

Cable

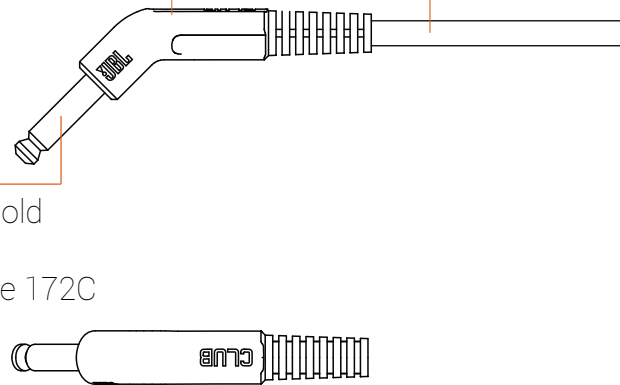
material: fabric
finishes: matt (Refer to sample)
color 1: Pantone Black C
color 2: Pantone 7540C
color 3: Pantone Black C

Jack

material: TPE
finishes: matt, VDI 24
color 1: Pantone Black C
color 2: Pantone 7540C
color 3: Pantone Black C

PIN

PIN Color : Gold
Line Color
color: Pantone 172C



Remote Housing

material: Plastic
finishes: matt, VDI24
with metallic spray paint
color 1: Pantone 10398C
color 2: Pantone Silver 10077C
color 3: Pantone 10397C

Button

material: rubber
finishes: matt VDI21
color 1: Pantone Black C
color 2: Cool Grey 4C
color 3: Pantone Black C

SR

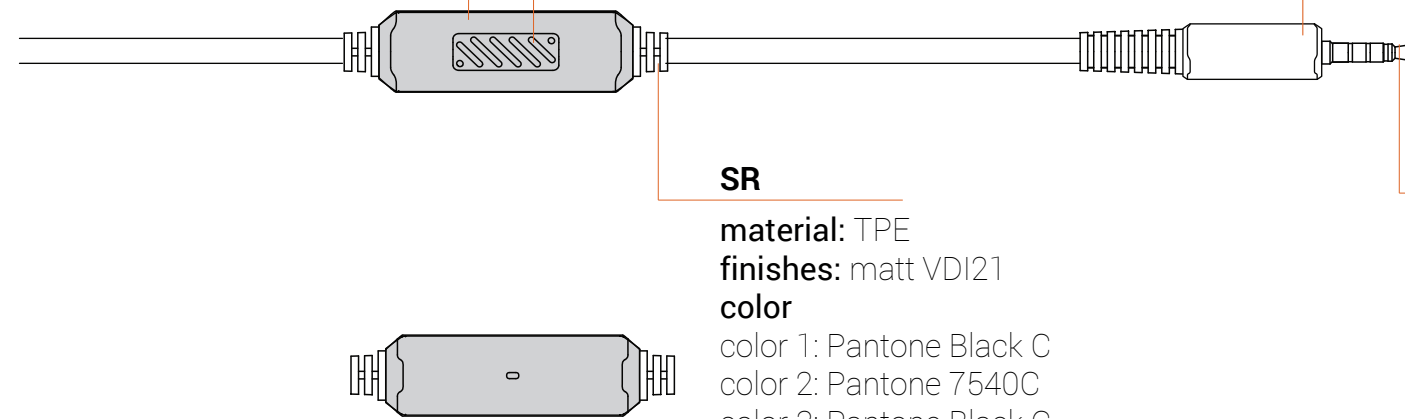
material: TPE
finishes: matt VDI21
color
color 1: Pantone Black C
color 2: Pantone 7540C
color 3: Pantone Black C

Jack

material: TPE
finishes: matt VDI 24
color 1: Pantone Black C
color 2: Pantone 7540C
color 3: Pantone Black C

PIN

PIN Color : Gold
Line Color
color: Pantone 172C



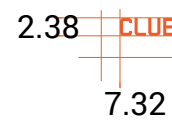
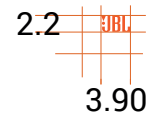
Type-C Cable

material: TPE
finishing: Matt VDI24, in mold High Polished JBL logo
color: Pantone Black C



icons

finishes: Glossy
Engrave: - 0.2mm



icons

finishes: Glossy
Engrave: - 0.2mm



