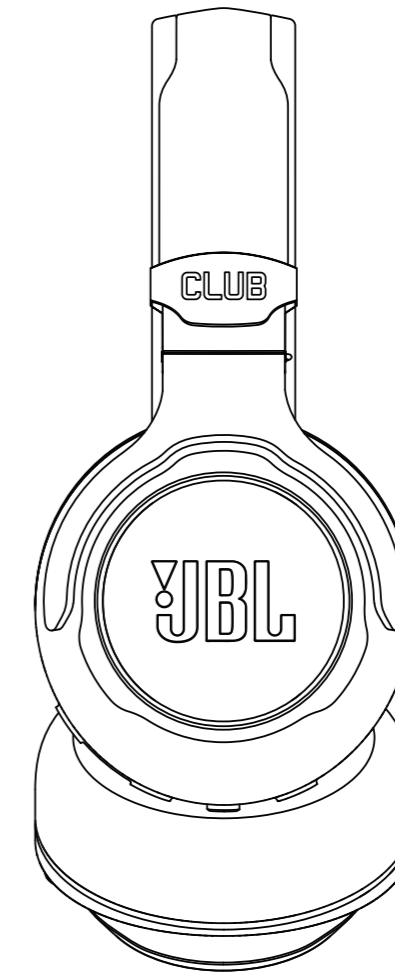




JBL CLUB700BT

CMF + Artworks V19- 2019/7/2



Artwork update history

2018/8/2- Sophie HE - Artwork - V01 - mockup
2018/8/31- Sophie HE - Artwork - V02
2018/10/17- Sophie HE - Artwork - V03 - update (hinge cap, earcup deco not confirmed)
2018/11/7- Sophie HE - Artwork - V04 - update hinge, SR, cables, buttons
2018/11/28- Sophie HE - Artwork - V05 - cost down
2018/12/6- Sophie HE - Artwork - V06 - remote control
2018/12/20- Sophie HE - Artwork - V07 - compliance, driver plate, JBL logo
2019/1/3- Sophie HE - Artwork - V08 - SKU
2019/1/9- Sophie HE - Artwork - V09
2019/1/22- Sophie HE - Artwork - V10 - MIC hole, silkscreen pantone
2019/3/12- Sophie HE - Artwork - V11 - cables
2019/3/19- Sophie HE - Artwork - V12 - Type-C
2019/4/22- Sophie HE - Artwork - V13 - function icon, LOGO size dimension
2019/4/25- Sophie HE - Artwork - V14 - tooling texture define, icons
2019/5/13- Sophie HE - Artwork - V15 - headband JBL logo define
2019/5/21- Sophie HE - Artwork - V16 - compliance update
2019/6/19- Sophie HE - Artwork - V17 - compliance update
2019/6/26- Sophie HE - Artwork - V18 - compliance update
2019/7/2- Sophie HE - Artwork - V19 - serial number, driver cap texture



JBL CLUB700BT

Artworks - Scale 1:1 - Unit: mm

CLUB icon

inmold, debossed 0.08mm
(refer to TUNE TWS 120 charging case JBL logo)
finishes: glossy



JBL logo

silkscreen
finishes: matt
color 1: Pantone 10397C (after NCVM)
color 2: Pantone 10394C (after NCVM)
color 3: Pantone 10398C (before NCVM)



Hinge Cap

material: plastic
finishes: semi matt VDI24 (high gloss text)
color 1: Pantone Black C
color 2: Apple White
color 3: Pantone Black C

Earcup Deco (circle shape)

material: plastic
- color 1: Metallic Black
finishes: NCVM, high gloss
- color 2: Pantone Silver 10077C
finishes: NCVM, semi gloss
- color 3: Purple + Blue (refer to sample)
finishes: NCVM, high gloss

Earcup Deco Ring (irregular shape)

material: plastic
- color 1: Metallic Black
finishes: NCVM, high gloss
- color 2: Pantone Silver 10077C
finishes: NCVM, semi gloss
- color 3: Purple + Blue (refer to sample)
finishes: NCVM, high gloss

CLUB icon Position Description -

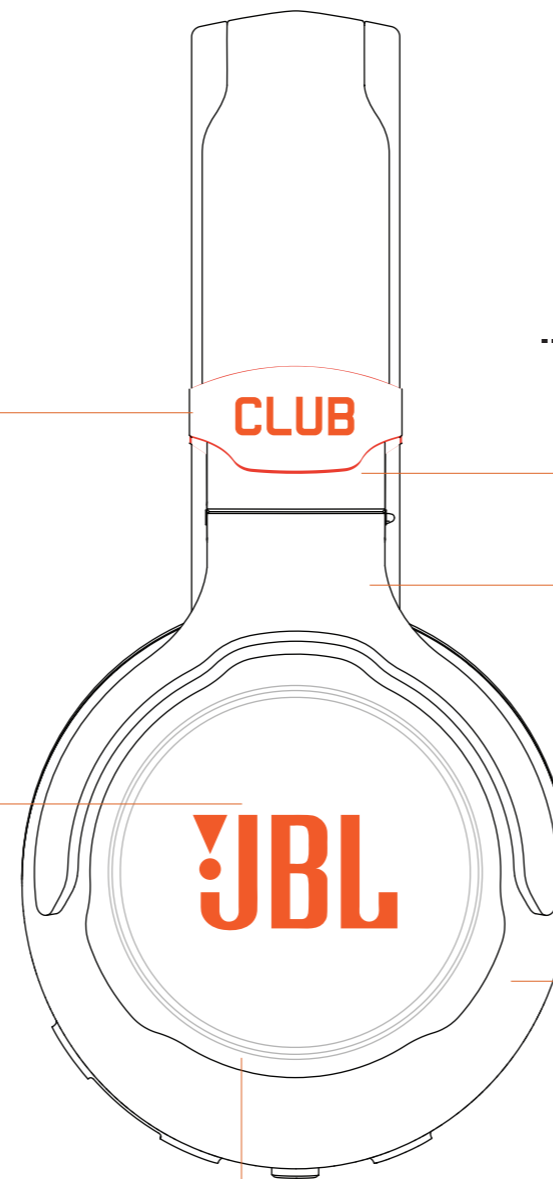


C-Hinge

material: Zinc die-casting
finishes: Matt with metallic paint
color 1: Metallic Black
color 2: Pantone Silver 10077 50%
color 3: Metallic Black

Earcup

material: plastic
finishes: semi-matt VDI24 with high gloss edge
color 1: Pantone Black C
color 2: Apple White
color 3: Pantone Black C





JBL CLUB700BT

Artworks - Scale 1:1 - Unit: mm

Cable

material: fabric
finishes: matt (Refer to sample)
color 1: Pantone Black C
color 2: Pantone 7540C
color 3: Pantone Black C

Shaft Pin

material: metal
finishes: Matt with metallic paint
color 1: Metallic Black
color 2: Pantone Silver 10077 50%
color 3: Metallic Black

Shaft Pin Cover

material: steel
finishes: Matt with metallic paint
color 1: Metallic Black
color 2: Pantone Silver 10077 50%
color 3: Metallic Black

Rubber Stopper

material: rubber
finishes: matt VDI21
color 1: Pantone Black C
color 2: Cool Grey 4C
color 3: Pantone Black C

Earcup Deco (cutting edge)

material: plastic
finishes: NCV, high gloss
color 1: Silver
color 2: Silver
color 3: Pantone 10397C

Headband (outside)

material: plastic
finishes: semi matt VDI27
color 1: Pantone Black C
color 2: Apple White
color 3: Pantone Black C

Headband (inside)

material: PU (with dots imprint)
finishes: matt
color 1: Pantone Black C
color 2: Pantone 7540C
color 3: Pantone Black C

SR

material: rubber
finishes: matt VDI21
color 1: Pantone Black C
color 2: Pantone 7540C
color 3: Pantone Black C

(Earcup Edge)

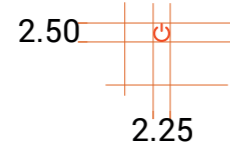
material: plastic
finishes: high gloss
color 1: Pantone Black C
color 2: Apple White
color 3: Pantone Black C



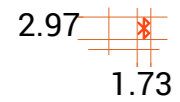


JBL CLUB700BT

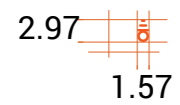
Artworks - Scale 1:1 - Unit: mm



Power Button (LED)

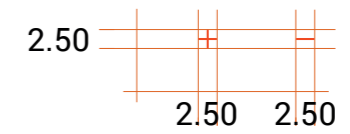


Pairing (bluetooth) Button (LED)



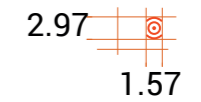
Smart Button (LED)

GA Button



Volume up, play/ pause, volume down buttons

Base Boost Button

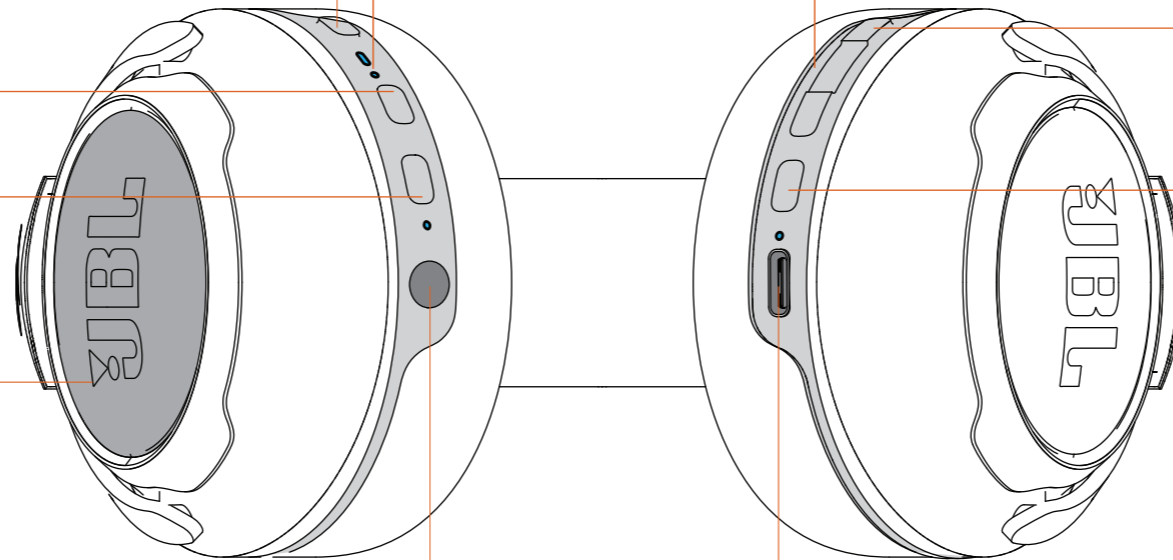


Buttons (1 piece)

material: rubber
finishes: matt VDI21
color 1: Pantone Black C
color 2: Pantone 7540C
color 3: Pantone Black C

Button icon (X 5)

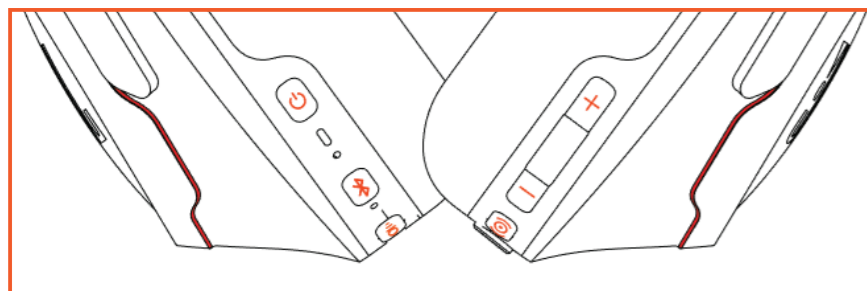
inmold, 0.2mm debossed
finishes: gloss



AUX

Type-C (with charging LED)

Button Icon Direction



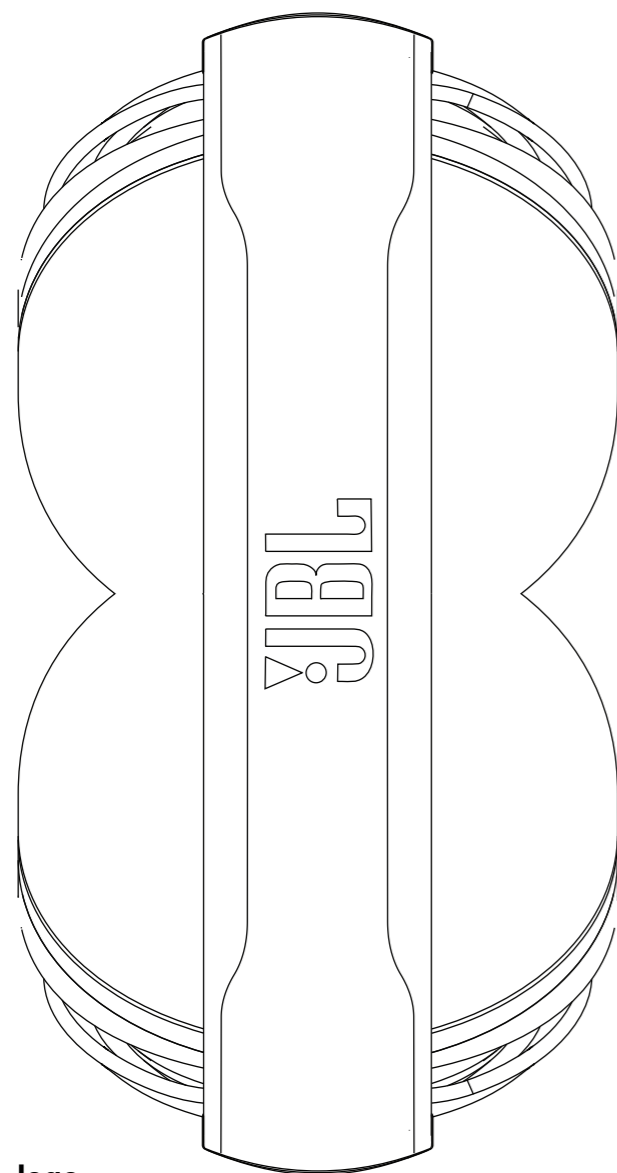
LED light (X 4)

material: plastic
finishes: matt, transparent



JBL CLUB700BT

Artworks - Scale 1:1 - Unit: mm



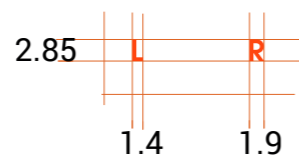
JBL logo

inmold, debossed 0.08mm
(refer to TUNE TWS 120 charging case JBL logo)
finishes: glossy



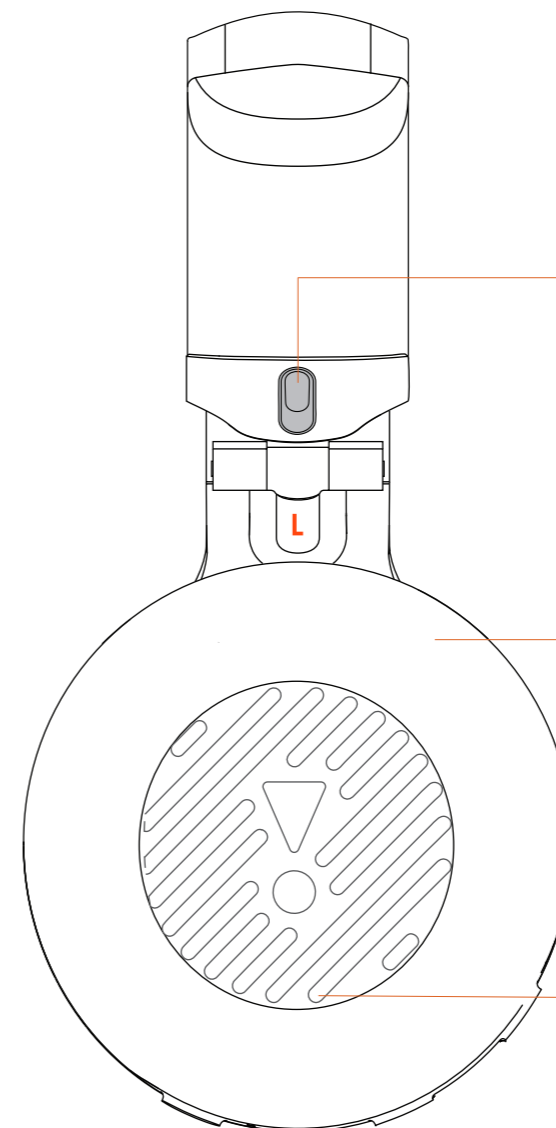
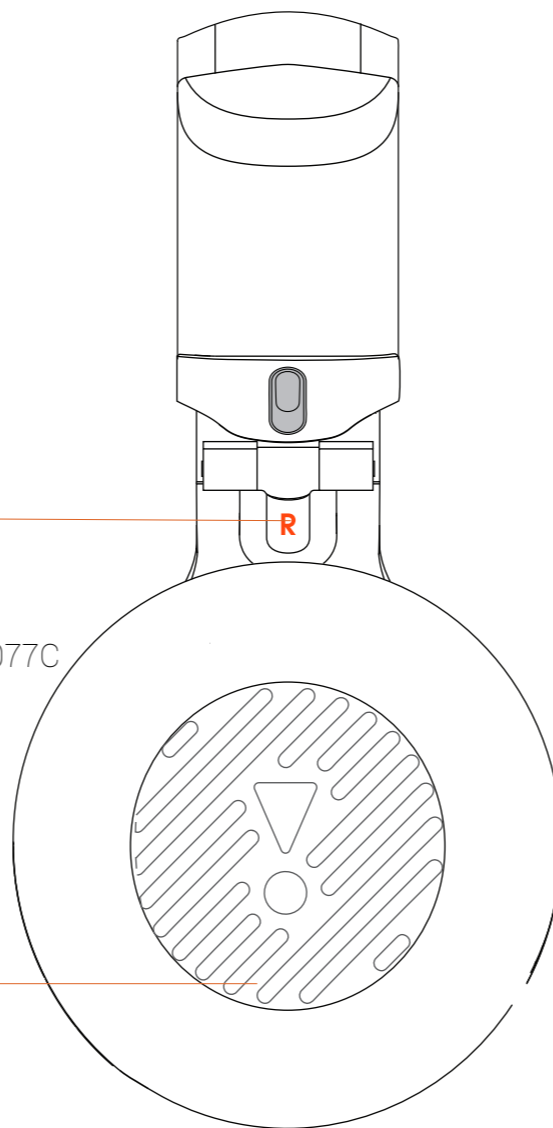
L/R icon

printing
finishing: gloss
color 1: Pantone 10394C
color 2: Pantone Silver 10077C
color 3: Pantone 10394C



Driver Cover

material: plastic
finishes: matt VDI24
color 1: Pantone Black C
color 2: Pantone 7540C
color 3: Pantone Black C



SR

material: plastic
finishes: gloss
color 1: Pantone Black C
color 2: Cool Grey 1C
color 3: Pantone Black C

Ear Cushion

material: PU (soft)
finishes: matt,
with Nylon Mesh (refer to sample)
color 1: Pantone Black C
color 2: color 2: Pantone 7540C
color 3: Pantone Black C

Speaker Mesh

material: Nylon mesh
(refer to sample)
color 1: Pantone Black C
color 2: color 2: Pantone 7540C
color 3: Pantone Black C



JBL CLUB700BT

Artworks - Scale 1:1 - Unit: mm

Compliance (on slider)

Printing

finishing: matt

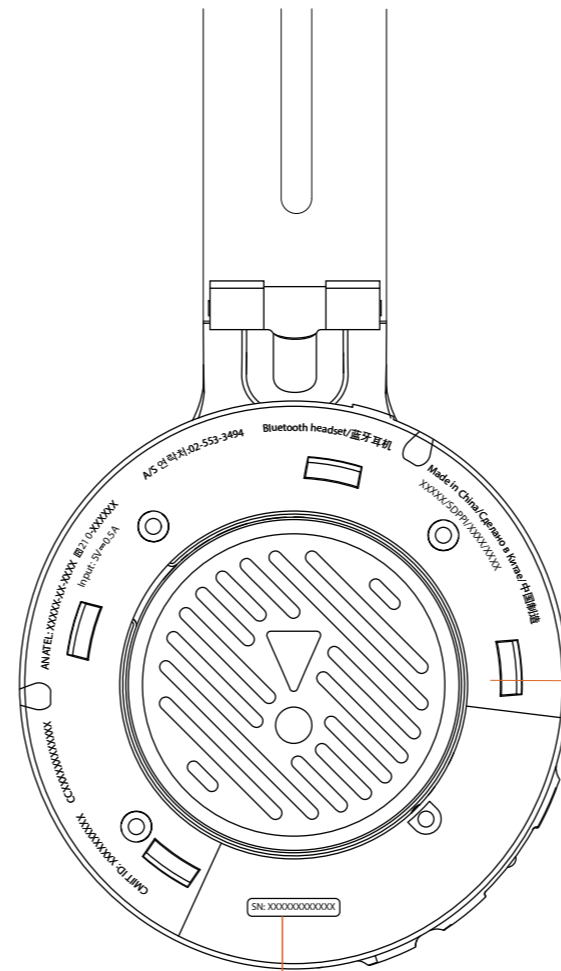
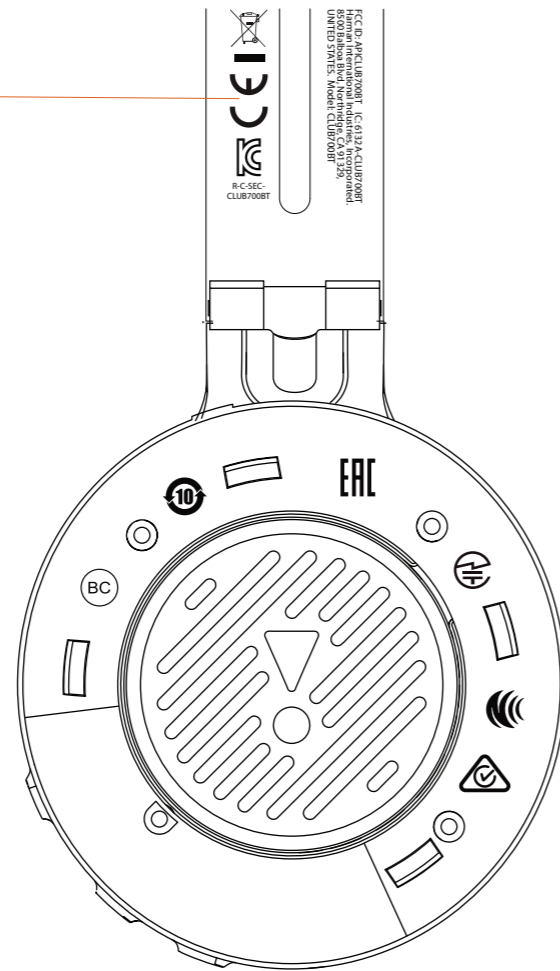
color 1: Pantone Cool Grey 8C

color 2: Pantone Cool Grey 5C

color 3: Pantone Cool Grey 8C



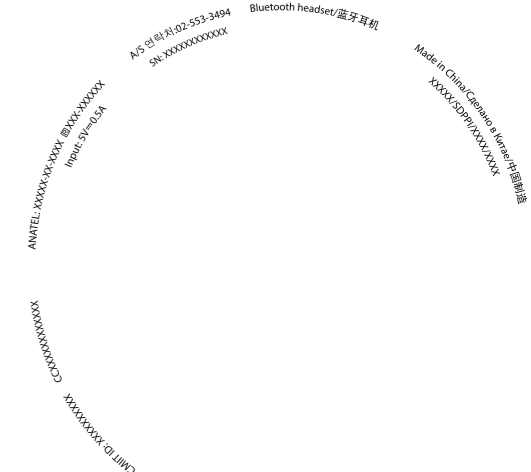
FCC ID: A7CLUB700BT IC: 6132A-CLUB700BT
Harris International Inc. 12000
Serra Drive, Santa Ana, CA 92705
Model: CLUB700BT



Compliance (on driver cup)

laser etching

SN label





JBL CLUB700BT

Artworks - Scale 1:1 - Unit: mm

Cable

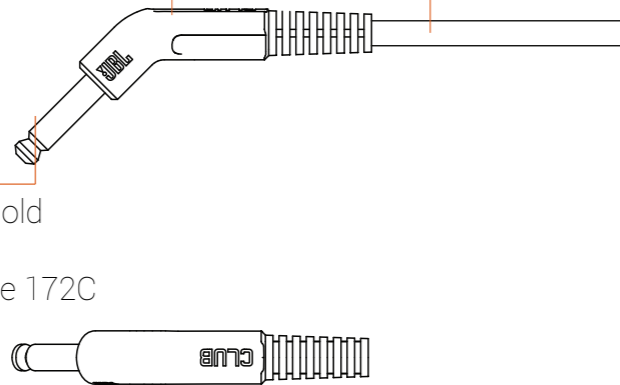
material: fabric
finishes: matt (Refer to sample)
color 1: Pantone Black C
color 2: Pantone 7540C
color 3: Pantone Black C

Jack

material: TPE
finishes: matt, VDI 24
color 1: Pantone Black C
color 2: Pantone 7540C
color 3: Pantone Black C

PIN

PIN Color : Gold
Line Color
color: Pantone 172C



Remote Housing

material: Plastic
finishes: matt, VDI24
color 1: Pantone Black C
color 2: Apple White
color 3: Pantone Black C

Button

material: rubber
finishes: matt VDI21
color 1: Pantone Black C
color 2: Cool Grey 4C
color 3: Pantone Black C

SR

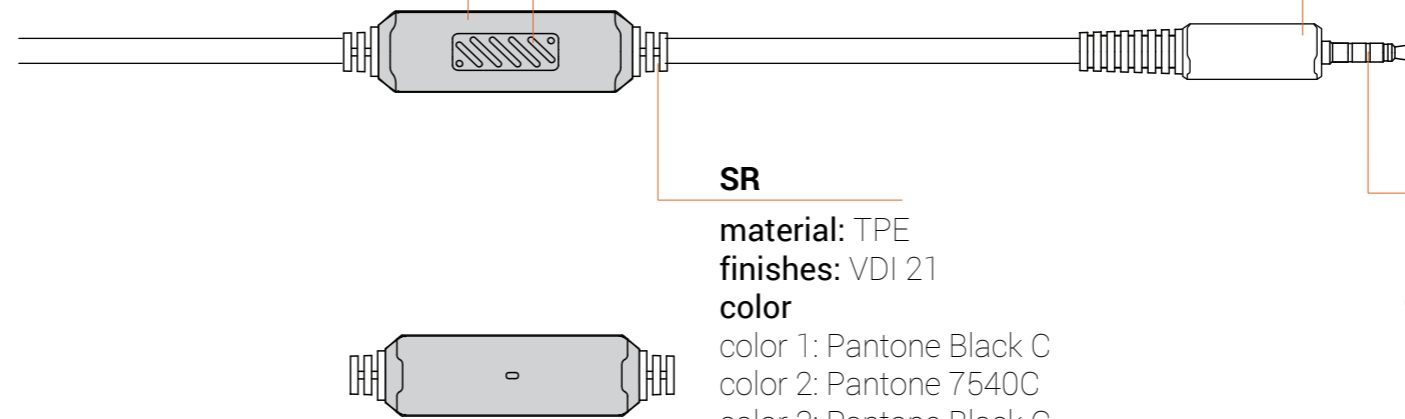
material: TPE
finishes: VDI 21
color
color 1: Pantone Black C
color 2: Pantone 7540C
color 3: Pantone Black C

Jack

material: TPE
finishes: matt VDI 24
color 1: Pantone Black C
color 2: Pantone 7540C
color 3: Pantone Black C

PIN

PIN Color : Gold
Line Color
color: Pantone 172C



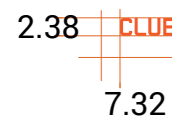
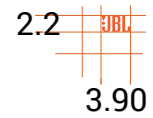
Type-C Cable

material: TPE
finishing: Matt VDI24, in mold High Polished JBL logo
color: Pantone Black C



icons

finishes: Glossy
Engrave: - 0.2mm



icons

finishes: Glossy
Engrave: - 0.2mm



