



QUICK START GUIDE

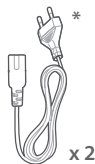
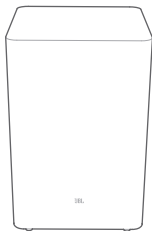
BAR 2.1 DEEP BASS



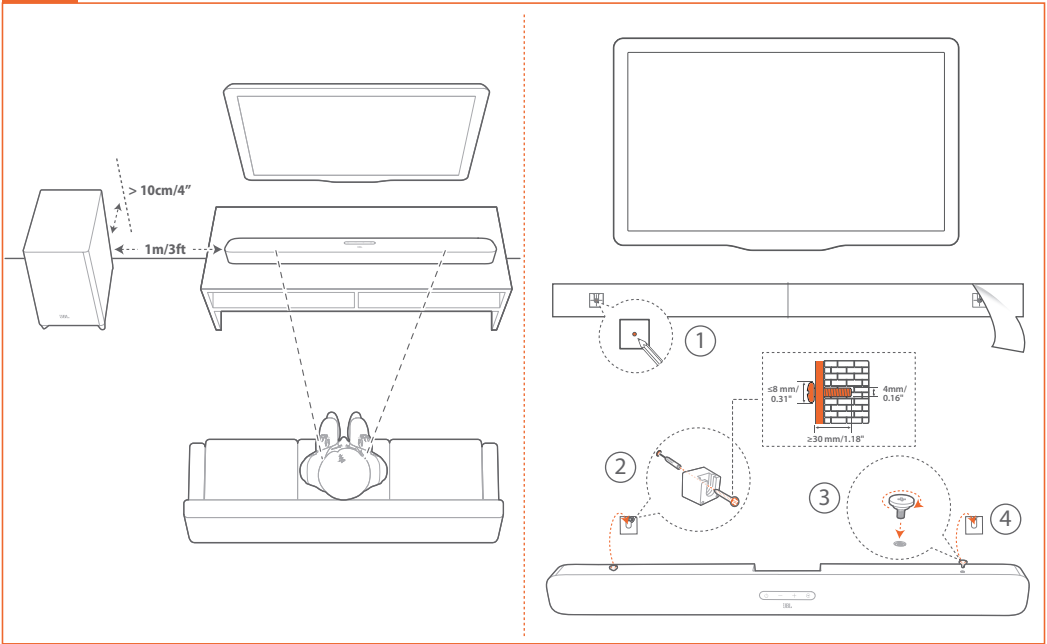


- EN** Before using this product, read the safety sheet carefully.
- DA** Before using this product, read the safety sheet carefully.
- DE** Before using this product, read the safety sheet carefully.
- ES** Before using this product, read the safety sheet carefully.
- FI** Before using this product, read the safety sheet carefully.
- FR** Before using this product, read the safety sheet carefully.
- IT** Before using this product, read the safety sheet carefully.
- NL** Before using this product, read the safety sheet carefully.
- NO** Before using this product, read the safety sheet carefully.
- PL** Before using this product, read the safety sheet carefully.
- PT** Before using this product, read the safety sheet carefully.
- RU** Before using this product, read the safety sheet carefully.
- SV** Before using this product, read the safety sheet carefully.
- JP** Before using this product, read the safety sheet carefully.
- KO** Before using this product, read the safety sheet carefully.
- CN** Before using this product, read the safety sheet carefully.
- TW** Before using this product, read the safety sheet carefully.
- ID** Before using this product, read the safety sheet carefully.
- AR** Before using this product, read the safety sheet carefully.



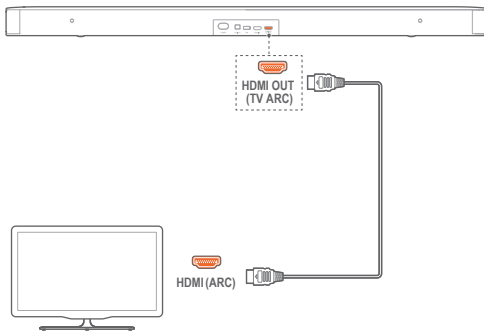


- EN** * Power cord quantity and plug type vary by regions.
- DA** * Power cord quantity and plug type vary by regions.
- DE** * Power cord quantity and plug type vary by regions.
- ES** * Power cord quantity and plug type vary by regions.
- FI** * Power cord quantity and plug type vary by regions.
- FR** * Power cord quantity and plug type vary by regions.
- IT** * Power cord quantity and plug type vary by regions.
- NL** * Power cord quantity and plug type vary by regions.
- NO** * Power cord quantity and plug type vary by regions.
- PL** * Power cord quantity and plug type vary by regions.
- PT** * Power cord quantity and plug type vary by regions.
- RU** * Power cord quantity and plug type vary by regions.
- SV** * Power cord quantity and plug type vary by regions.
- JP** * Power cord quantity and plug type vary by regions.
- KO** * Power cord quantity and plug type vary by regions.
- CN** * Power cord quantity and plug type vary by regions.
- TW** * Power cord quantity and plug type vary by regions.
- ID** * Power cord quantity and plug type vary by regions.
- AR** * Power cord quantity and plug type vary by regions.

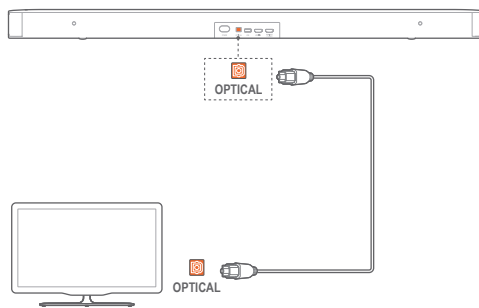




HDMI OUT

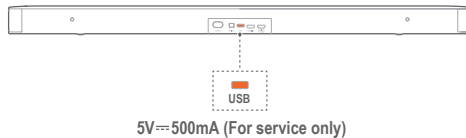
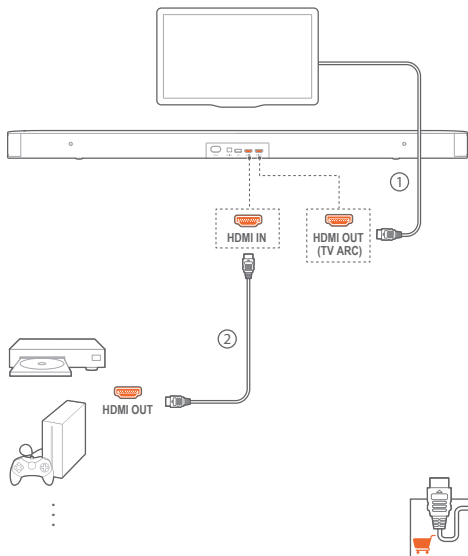


OPTICAL



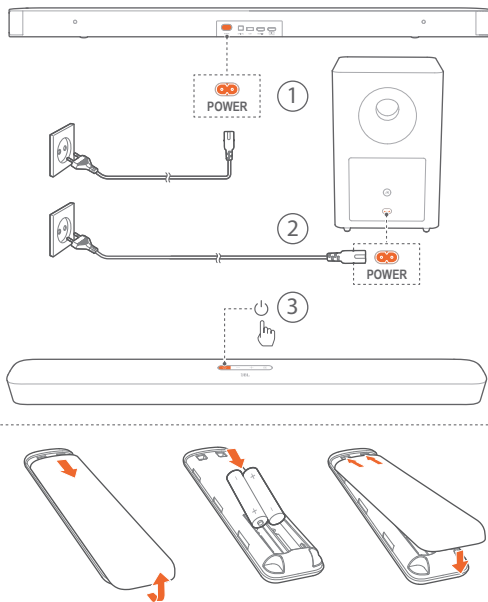


HDMI IN

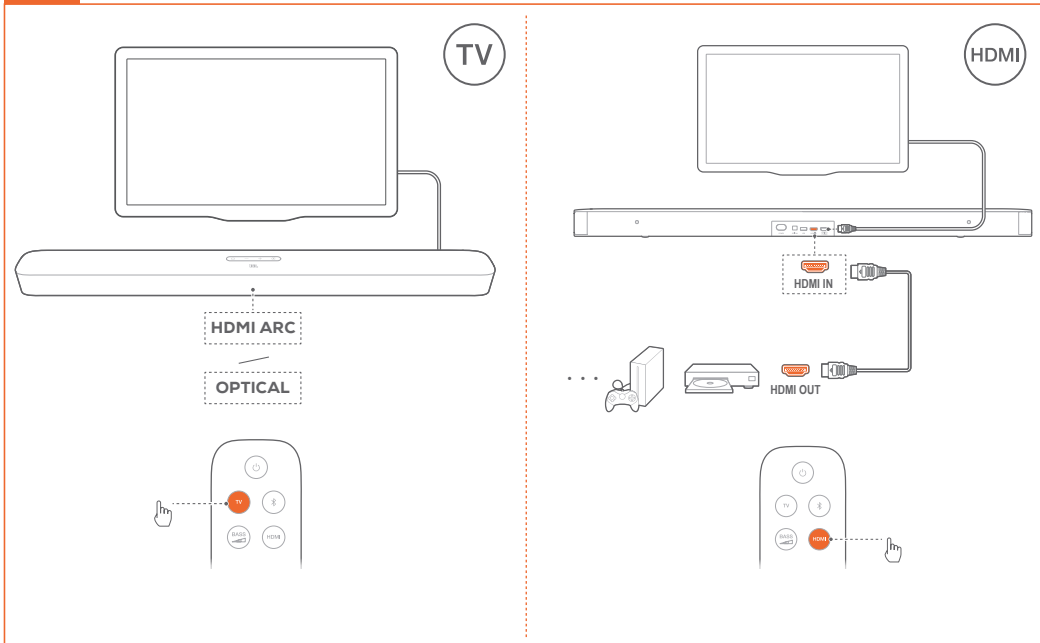


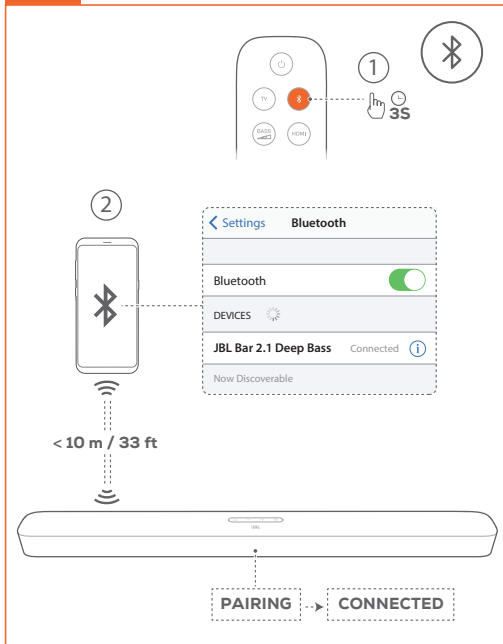
DA For service only
DE For service only
ES For service only
FI For service only
FR For service only
IT For service only
NL For service only
NO For service only
PL For service only

PT For service only
RU For service only
SV For service only
JP For service only
KO For service only
CN For service only
TW For service only
ID For service only
AR For service only



- EN** The subwoofer and the soundbar will be paired automatically when both are powered on.
- DA** The subwoofer and the soundbar will be paired automatically when both are powered on.
- DE** The subwoofer and the soundbar will be paired automatically when both are powered on.
- ES** The subwoofer and the soundbar will be paired automatically when both are powered on.
- FI** The subwoofer and the soundbar will be paired automatically when both are powered on.
- FR** The subwoofer and the soundbar will be paired automatically when both are powered on.
- IT** The subwoofer and the soundbar will be paired automatically when both are powered on.
- NL** The subwoofer and the soundbar will be paired automatically when both are powered on.
- NO** The subwoofer and the soundbar will be paired automatically when both are powered on.
- PL** The subwoofer and the soundbar will be paired automatically when both are powered on.
- PT** The subwoofer and the soundbar will be paired automatically when both are powered on.
- RU** The subwoofer and the soundbar will be paired automatically when both are powered on.
- SV** The subwoofer and the soundbar will be paired automatically when both are powered on.
- JP** The subwoofer and the soundbar will be paired automatically when both are powered on.
- KO** The subwoofer and the soundbar will be paired automatically when both are powered on.
- CN** The subwoofer and the soundbar will be paired automatically when both are powered on.
- TW** The subwoofer and the soundbar will be paired automatically when both are powered on.
- ID** The subwoofer and the soundbar will be paired automatically when both are powered on.
- AR** The subwoofer and the soundbar will be paired automatically when both are powered on.





- Model: Bar 2.1 Deep Bass CNTR (Soundbar Unit), Bar 2.1 Deep Bass SUB (Subwoofer Unit)
- Power supply: 100 - 240V, ~ 50/60Hz
- Total maximum power: 300W
- Soundbar maximum power: 2 x 50W
- Subwoofer maximum power: 200W
- Soundbar transducer: 4 x 2.25" racetrack drivers, 2 x 1.25" tweeter
- Subwoofer transducer: 6.5"
- Max SPL: 103dB
- USB port rating: 5V \Rightarrow 0.5A (For service only)
- Frequency response: 40Hz - 20KHz
- Operating temperature: 0°C - 45°C
- Soundbar dimensions (W x H x D): 965 x 58 x 85 mm / 38" x 2.28" x 3.35"
- Soundbar weight: 2.16kg
- Subwoofer dimensions (W x H x D): 240 x 379 x 240 mm / 9.4" x 14.9" x 9.4"
- Subwoofer weight: 5.67kg
- Bluetooth version: 4.2
- Bluetooth frequency range: 2402 - 2480 MHz
- Maximum power of Bluetooth: 10dBm
- Bluetooth modulation: GFSK, $\pi/4$ DQPSK, 8DPSK
- 5G short-range wireless frequency range: 5161.35 - 5245.35MHz, 5736.35 - 5820.35MHz
- 5G short-range wireless power: <8dBm
- Maximum power of 5G Wireless: 12dBm
- 5G short-range wireless modulation: $\pi/4$ DQPSK
- Standby power consumption: 0.5W



DA

- Model: Bar 2.1 Deep Bass CNTR (Soundbar Unit), Bar 2.1 Deep Bass SUB (Subwoofer Unit)
- Power supply: 100 - 240V, ~ 50/60Hz
- Total maximum power: 300W
- Soundbar maximum power: 2 x 50W
- Subwoofer maximum power: 200W
- Soundbar transducer: 4 x 2.25" racetrack drivers, 2 x 1.25" tweeter
- Subwoofer transducer: 6.5"
- Max SPL: 103dB
- USB port rating: 5V \equiv 0.5A (For service only)
- Frequency response: 40Hz - 20KHz
- Operating temperature: 0°C - 45°C
- Soundbar dimensions (W x H x D): 965 x 58 x 85 mm / 38" x 2.28" x 3.35"
- Soundbar weight: 2.16kg
- Subwoofer dimensions (W x H x D): 240 x 379 x 240 mm / 9.4" x 14.9" x 9.4"
- Subwoofer weight: 5.67kg
- Bluetooth version: 4.2
- Bluetooth frequency range: 2402 – 2480 MHz
- Maximum power of Bluetooth: 10dBm
- Bluetooth modulation: GFSK, $\pi/4$ DQPSK, 8DPSK
- 5G short-range wireless frequency range: 5161.35 - 5245.35MHz, 5736.35 - 5820.35MHz
- 5G short-range wireless power: <8dBm
- Maximum power of 5G Wireless: 12dBm
- 5G short-range wireless modulation: $\pi/4$ DQPSK
- Standby power consumption: 0.5W

DE

- Model: Bar 2.1 Deep Bass CNTR (Soundbar Unit), Bar 2.1 Deep Bass SUB (Subwoofer Unit)
- Power supply: 100 - 240V, ~ 50/60Hz
- Total maximum power: 300W
- Soundbar maximum power: 2 x 50W
- Subwoofer maximum power: 200W
- Soundbar transducer: 4 x 2.25" racetrack drivers, 2 x 1.25" tweeter
- Subwoofer transducer: 6.5"
- Max SPL: 103dB
- USB port rating: 5V \equiv 0.5A (For service only)
- Frequency response: 40Hz - 20KHz
- Operating temperature: 0°C - 45°C
- Soundbar dimensions (W x H x D): 965 x 58 x 85 mm / 38" x 2.28" x 3.35"
- Soundbar weight: 2.16kg
- Subwoofer dimensions (W x H x D): 240 x 379 x 240 mm / 9.4" x 14.9" x 9.4"
- Subwoofer weight: 5.67kg
- Bluetooth version: 4.2
- Bluetooth frequency range: 2402 – 2480 MHz
- Maximum power of Bluetooth: 10dBm
- Bluetooth modulation: GFSK, $\pi/4$ DQPSK, 8DPSK
- 5G short-range wireless frequency range: 5161.35 - 5245.35MHz, 5736.35 - 5820.35MHz
- 5G short-range wireless power: <8dBm
- Maximum power of 5G Wireless: 12dBm
- 5G short-range wireless modulation: $\pi/4$ DQPSK
- Standby power consumption: 0.5W

ES

- Model: Bar 2.1 Deep Bass CNTR (Soundbar Unit), Bar 2.1 Deep Bass SUB (Subwoofer Unit)
- Power supply: 100 - 240V, ~ 50/60Hz
- Total maximum power: 300W
- Soundbar maximum power: 2 x 50W
- Subwoofer maximum power: 200W
- Soundbar transducer: 4 x 2.25" racetrack drivers, 2 x 1.25" tweeter
- Subwoofer transducer: 6.5"
- Max SPL: 103dB
- USB port rating: 5V \equiv 0.5A (For service only)
- Frequency response: 40Hz - 20KHz
- Operating temperature: 0°C - 45°C
- Soundbar dimensions (W x H x D): 965 x 58 x 85 mm / 38" x 2.28" x 3.35"
- Soundbar weight: 2.16kg
- Subwoofer dimensions (W x H x D): 240 x 379 x 240 mm / 9.4" x 14.9" x 9.4"
- Subwoofer weight: 5.67kg
- Bluetooth version: 4.2
- Bluetooth frequency range: 2402 – 2480 MHz
- Maximum power of Bluetooth: 10dBm
- Bluetooth modulation: GFSK, $\pi/4$ DQPSK, 8DPSK
- 5G short-range wireless frequency range: 5161.35 - 5245.35MHz, 5736.35 - 5820.35MHz
- 5G short-range wireless power: <8dBm
- Maximum power of 5G Wireless: 12dBm
- 5G short-range wireless modulation: $\pi/4$ DQPSK
- Standby power consumption: 0.5W

**FI**

- Model: Bar 2.1 Deep Bass CNTR (Soundbar Unit), Bar 2.1 Deep Bass SUB (Subwoofer Unit)
- Power supply: 100 - 240V, ~ 50/60Hz
- Total maximum power: 300W
- Soundbar maximum power: 2 x 50W
- Subwoofer maximum power: 200W
- Soundbar transducer: 4 x 2.25" racetrack drivers, 2 x 1.25" tweeter
- Subwoofer transducer: 6.5"
- Max SPL: 103dB
- USB port rating: 5V \equiv 0.5A (For service only)
- Frequency response: 40Hz - 20KHz
- Operating temperature: 0°C - 45°C
- Soundbar dimensions (W x H x D): 965 x 58 x 85 mm / 38" x 2.28" x 3.35"
- Soundbar weight: 2.16kg
- Subwoofer dimensions (W x H x D): 240 x 379 x 240 mm / 9.4" x 14.9" x 9.4"
- Subwoofer weight: 5.67kg
- Bluetooth version: 4.2
- Bluetooth frequency range: 2402 - 2480 MHz
- Maximum power of Bluetooth: 10dBm
- Bluetooth modulation: GFSK, $\pi/4$ DQPSK, 8DPSK
- 5G short-range wireless frequency range: 5161.35 - 5245.35MHz, 5736.35 - 5820.35MHz
- 5G short-range wireless power: <8dBm
- Maximum power of 5G Wireless: 12dBm
- 5G short-range wireless modulation: $\pi/4$ DQPSK
- Standby power consumption: 0.5W

FR

- Model: Bar 2.1 Deep Bass CNTR (Soundbar Unit), Bar 2.1 Deep Bass SUB (Subwoofer Unit)
- Power supply: 100 - 240V, ~ 50/60Hz
- Total maximum power: 300W
- Soundbar maximum power: 2 x 50W
- Subwoofer maximum power: 200W
- Soundbar transducer: 4 x 2.25" racetrack drivers, 2 x 1.25" tweeter
- Subwoofer transducer: 6.5"
- Max SPL: 103dB
- USB port rating: 5V \equiv 0.5A (For service only)
- Frequency response: 40Hz - 20KHz
- Operating temperature: 0°C - 45°C
- Soundbar dimensions (W x H x D): 965 x 58 x 85 mm / 38" x 2.28" x 3.35"
- Soundbar weight: 2.16kg
- Subwoofer dimensions (W x H x D): 240 x 379 x 240 mm / 9.4" x 14.9" x 9.4"
- Subwoofer weight: 5.67kg
- Bluetooth version: 4.2
- Bluetooth frequency range: 2402 - 2480 MHz
- Maximum power of Bluetooth: 10dBm
- Bluetooth modulation: GFSK, $\pi/4$ DQPSK, 8DPSK
- 5G short-range wireless frequency range: 5161.35 - 5245.35MHz, 5736.35 - 5820.35MHz
- 5G short-range wireless power: <8dBm
- Maximum power of 5G Wireless: 12dBm
- 5G short-range wireless modulation: $\pi/4$ DQPSK
- Standby power consumption: 0.5W

IT

- Model: Bar 2.1 Deep Bass CNTR (Soundbar Unit), Bar 2.1 Deep Bass SUB (Subwoofer Unit)
- Power supply: 100 - 240V, ~ 50/60Hz
- Total maximum power: 300W
- Soundbar maximum power: 2 x 50W
- Subwoofer maximum power: 200W
- Soundbar transducer: 4 x 2.25" racetrack drivers, 2 x 1.25" tweeter
- Subwoofer transducer: 6.5"
- Max SPL: 103dB
- USB port rating: 5V \equiv 0.5A (For service only)
- Frequency response: 40Hz - 20KHz
- Operating temperature: 0°C - 45°C
- Soundbar dimensions (W x H x D): 965 x 58 x 85 mm / 38" x 2.28" x 3.35"
- Soundbar weight: 2.16kg
- Subwoofer dimensions (W x H x D): 240 x 379 x 240 mm / 9.4" x 14.9" x 9.4"
- Subwoofer weight: 5.67kg
- Bluetooth version: 4.2
- Bluetooth frequency range: 2402 - 2480 MHz
- Maximum power of Bluetooth: 10dBm
- Bluetooth modulation: GFSK, $\pi/4$ DQPSK, 8DPSK
- 5G short-range wireless frequency range: 5161.35 - 5245.35MHz, 5736.35 - 5820.35MHz
- 5G short-range wireless power: <8dBm
- Maximum power of 5G Wireless: 12dBm
- 5G short-range wireless modulation: $\pi/4$ DQPSK
- Standby power consumption: 0.5W

**NL**

- Model: Bar 2.1 Deep Bass CNTR (Soundbar Unit), Bar 2.1 Deep Bass SUB (Subwoofer Unit)
- Power supply: 100 - 240V, ~ 50/60Hz
- Total maximum power: 300W
- Soundbar maximum power: 2 x 50W
- Subwoofer maximum power: 200W
- Soundbar transducer: 4 x 2.25" racetrack drivers, 2 x 1.25" tweeter
- Subwoofer transducer: 6.5"
- Max SPL: 103dB
- USB port rating: 5V \equiv 0.5A (For service only)
- Frequency response: 40Hz - 20KHz
- Operating temperature: 0°C - 45°C
- Soundbar dimensions (W x H x D): 965 x 58 x 85 mm / 38" x 2.28" x 3.35"
- Soundbar weight: 2.16kg
- Subwoofer dimensions (W x H x D): 240 x 379 x 240 mm / 9.4" x 14.9" x 9.4"
- Subwoofer weight: 5.67kg
- Bluetooth version: 4.2
- Bluetooth frequency range: 2402 - 2480 MHz
- Maximum power of Bluetooth: 10dBm
- Bluetooth modulation: GFSK, $\pi/4$ DQPSK, 8DPSK
- 5G short-range wireless frequency range: 5161.35 - 5245.35MHz, 5736.35 - 5820.35MHz
- 5G short-range wireless power: <8dBm
- Maximum power of 5G Wireless: 12dBm
- 5G short-range wireless modulation: $\pi/4$ DQPSK
- Standby power consumption: 0.5W

NO

- Model: Bar 2.1 Deep Bass CNTR (Soundbar Unit), Bar 2.1 Deep Bass SUB (Subwoofer Unit)
- Power supply: 100 - 240V, ~ 50/60Hz
- Total maximum power: 300W
- Soundbar maximum power: 2 x 50W
- Subwoofer maximum power: 200W
- Soundbar transducer: 4 x 2.25" racetrack drivers, 2 x 1.25" tweeter
- Subwoofer transducer: 6.5"
- Max SPL: 103dB
- USB port rating: 5V \equiv 0.5A (For service only)
- Frequency response: 40Hz - 20KHz
- Operating temperature: 0°C - 45°C
- Soundbar dimensions (W x H x D): 965 x 58 x 85 mm / 38" x 2.28" x 3.35"
- Soundbar weight: 2.16kg
- Subwoofer dimensions (W x H x D): 240 x 379 x 240 mm / 9.4" x 14.9" x 9.4"
- Subwoofer weight: 5.67kg
- Bluetooth version: 4.2
- Bluetooth frequency range: 2402 - 2480 MHz
- Maximum power of Bluetooth: 10dBm
- Bluetooth modulation: GFSK, $\pi/4$ DQPSK, 8DPSK
- 5G short-range wireless frequency range: 5161.35 - 5245.35MHz, 5736.35 - 5820.35MHz
- 5G short-range wireless power: <8dBm
- Maximum power of 5G Wireless: 12dBm
- 5G short-range wireless modulation: $\pi/4$ DQPSK
- Standby power consumption: 0.5W

PL

- Model: Bar 2.1 Deep Bass CNTR (Soundbar Unit), Bar 2.1 Deep Bass SUB (Subwoofer Unit)
- Power supply: 100 - 240V, ~ 50/60Hz
- Total maximum power: 300W
- Soundbar maximum power: 2 x 50W
- Subwoofer maximum power: 200W
- Soundbar transducer: 4 x 2.25" racetrack drivers, 2 x 1.25" tweeter
- Subwoofer transducer: 6.5"
- Max SPL: 103dB
- USB port rating: 5V \equiv 0.5A (For service only)
- Frequency response: 40Hz - 20KHz
- Operating temperature: 0°C - 45°C
- Soundbar dimensions (W x H x D): 965 x 58 x 85 mm / 38" x 2.28" x 3.35"
- Soundbar weight: 2.16kg
- Subwoofer dimensions (W x H x D): 240 x 379 x 240 mm / 9.4" x 14.9" x 9.4"
- Subwoofer weight: 5.67kg
- Bluetooth version: 4.2
- Bluetooth frequency range: 2402 - 2480 MHz
- Maximum power of Bluetooth: 10dBm
- Bluetooth modulation: GFSK, $\pi/4$ DQPSK, 8DPSK
- 5G short-range wireless frequency range: 5161.35 - 5245.35MHz, 5736.35 - 5820.35MHz
- 5G short-range wireless power: <8dBm
- Maximum power of 5G Wireless: 12dBm
- 5G short-range wireless modulation: $\pi/4$ DQPSK
- Standby power consumption: 0.5W

**PT**

- Model: Bar 2.1 Deep Bass CNTR (Soundbar Unit), Bar 2.1 Deep Bass SUB (Subwoofer Unit)
- Power supply: 100 - 240V, ~ 50/60Hz
- Total maximum power: 300W
- Soundbar maximum power: 2 x 50W
- Subwoofer maximum power: 200W
- Soundbar transducer: 4 x 2.25" racetrack drivers, 2 x 1.25" tweeter
- Subwoofer transducer: 6.5"
- Max SPL: 103dB
- USB port rating: 5V \equiv 0.5A (For service only)
- Frequency response: 40Hz - 20KHz
- Operating temperature: 0°C - 45°C
- Soundbar dimensions (W x H x D): 965 x 58 x 85 mm / 38" x 2.28" x 3.35"
- Soundbar weight: 2.16kg
- Subwoofer dimensions (W x H x D): 240 x 379 x 240 mm / 9.4" x 14.9" x 9.4"
- Subwoofer weight: 5.67kg
- Bluetooth version: 4.2
- Bluetooth frequency range: 2402 - 2480 MHz
- Maximum power of Bluetooth: 10dBm
- Bluetooth modulation: GFSK, $\pi/4$ DQPSK, 8DPSK
- 5G short-range wireless frequency range: 5161.35 - 5245.35MHz, 5736.35 - 5820.35MHz
- 5G short-range wireless power: <8dBm
- Maximum power of 5G Wireless: 12dBm
- 5G short-range wireless modulation: $\pi/4$ DQPSK
- Standby power consumption: 0.5W

RU

- Model: Bar 2.1 Deep Bass CNTR (Soundbar Unit), Bar 2.1 Deep Bass SUB (Subwoofer Unit)
- Power supply: 100 - 240V, ~ 50/60Hz
- Total maximum power: 300W
- Soundbar maximum power: 2 x 50W
- Subwoofer maximum power: 200W
- Soundbar transducer: 4 x 2.25" racetrack drivers, 2 x 1.25" tweeter
- Subwoofer transducer: 6.5"
- Max SPL: 103dB
- USB port rating: 5V \equiv 0.5A (For service only)
- Frequency response: 40Hz - 20KHz
- Operating temperature: 0°C - 45°C
- Soundbar dimensions (W x H x D): 965 x 58 x 85 mm / 38" x 2.28" x 3.35"
- Soundbar weight: 2.16kg
- Subwoofer dimensions (W x H x D): 240 x 379 x 240 mm / 9.4" x 14.9" x 9.4"
- Subwoofer weight: 5.67kg
- Bluetooth version: 4.2
- Bluetooth frequency range: 2402 - 2480 MHz
- Maximum power of Bluetooth: 10dBm
- Bluetooth modulation: GFSK, $\pi/4$ DQPSK, 8DPSK
- 5G short-range wireless frequency range: 5161.35 - 5245.35MHz, 5736.35 - 5820.35MHz
- 5G short-range wireless power: <8dBm
- Maximum power of 5G Wireless: 12dBm
- 5G short-range wireless modulation: $\pi/4$ DQPSK
- Standby power consumption: 0.5W

SV

- Model: Bar 2.1 Deep Bass CNTR (Soundbar Unit), Bar 2.1 Deep Bass SUB (Subwoofer Unit)
- Power supply: 100 - 240V, ~ 50/60Hz
- Total maximum power: 300W
- Soundbar maximum power: 2 x 50W
- Subwoofer maximum power: 200W
- Soundbar transducer: 4 x 2.25" racetrack drivers, 2 x 1.25" tweeter
- Subwoofer transducer: 6.5"
- Max SPL: 103dB
- USB port rating: 5V \equiv 0.5A (For service only)
- Frequency response: 40Hz - 20KHz
- Operating temperature: 0°C - 45°C
- Soundbar dimensions (W x H x D): 965 x 58 x 85 mm / 38" x 2.28" x 3.35"
- Soundbar weight: 2.16kg
- Subwoofer dimensions (W x H x D): 240 x 379 x 240 mm / 9.4" x 14.9" x 9.4"
- Subwoofer weight: 5.67kg
- Bluetooth version: 4.2
- Bluetooth frequency range: 2402 - 2480 MHz
- Maximum power of Bluetooth: 10dBm
- Bluetooth modulation: GFSK, $\pi/4$ DQPSK, 8DPSK
- 5G short-range wireless frequency range: 5161.35 - 5245.35MHz, 5736.35 - 5820.35MHz
- 5G short-range wireless power: <8dBm
- Maximum power of 5G Wireless: 12dBm
- 5G short-range wireless modulation: $\pi/4$ DQPSK
- Standby power consumption: 0.5W



JP

- Model: Bar 2.1 Deep Bass CNTR (Soundbar Unit), Bar 2.1 Deep Bass SUB (Subwoofer Unit)
- Power supply: 100 - 240V, ~ 50/60Hz
- Total maximum power: 300W
- Soundbar maximum power: 2 x 50W
- Subwoofer maximum power: 200W
- Soundbar transducer: 4 x 2.25" racetrack drivers, 2 x 1.25" tweeter
- Subwoofer transducer: 6.5"
- Max SPL: 103dB
- USB port rating: 5V \equiv 0.5A (For service only)
- Frequency response: 40Hz - 20KHz
- Operating temperature: 0°C - 45°C
- Soundbar dimensions (W x H x D): 965 x 58 x 85 mm / 38" x 2.28" x 3.35"
- Soundbar weight: 2.16kg
- Subwoofer dimensions (W x H x D): 240 x 379 x 240 mm / 9.4" x 14.9" x 9.4"
- Subwoofer weight: 5.67kg
- Bluetooth version: 4.2
- Bluetooth frequency range: 2402 - 2480 MHz
- Maximum power of Bluetooth: 10dBm
- Bluetooth modulation: GFSK, $\pi/4$ DQPSK, 8DPSK
- 5G short-range wireless frequency range: 5161.35 - 5245.35MHz, 5736.35 - 5820.35MHz
- 5G short-range wireless power: <8dBm
- Maximum power of 5G Wireless: 12dBm
- 5G short-range wireless modulation: $\pi/4$ DQPSK
- Standby power consumption: 0.5W

KO

- Model: Bar 2.1 Deep Bass CNTR (Soundbar Unit), Bar 2.1 Deep Bass SUB (Subwoofer Unit)
- Power supply: 100 - 240V, ~ 50/60Hz
- Total maximum power: 300W
- Soundbar maximum power: 2 x 50W
- Subwoofer maximum power: 200W
- Soundbar transducer: 4 x 2.25" racetrack drivers, 2 x 1.25" tweeter
- Subwoofer transducer: 6.5"
- Max SPL: 103dB
- USB port rating: 5V \equiv 0.5A (For service only)
- Frequency response: 40Hz - 20KHz
- Operating temperature: 0°C - 45°C
- Soundbar dimensions (W x H x D): 965 x 58 x 85 mm / 38" x 2.28" x 3.35"
- Soundbar weight: 2.16kg
- Subwoofer dimensions (W x H x D): 240 x 379 x 240 mm / 9.4" x 14.9" x 9.4"
- Subwoofer weight: 5.67kg
- Bluetooth version: 4.2
- Bluetooth frequency range: 2402 - 2480 MHz
- Maximum power of Bluetooth: 10dBm
- Bluetooth modulation: GFSK, $\pi/4$ DQPSK, 8DPSK
- 5G short-range wireless frequency range: 5161.35 - 5245.35MHz, 5736.35 - 5820.35MHz
- 5G short-range wireless power: <8dBm
- Maximum power of 5G Wireless: 12dBm
- 5G short-range wireless modulation: $\pi/4$ DQPSK
- Standby power consumption: 0.5W

CN

- Model: Bar 2.1 Deep Bass CNTR (Soundbar Unit), Bar 2.1 Deep Bass SUB (Subwoofer Unit)
- Power supply: 100 - 240V, ~ 50/60Hz
- Total maximum power: 300W
- Soundbar maximum power: 2 x 50W
- Subwoofer maximum power: 200W
- Soundbar transducer: 4 x 2.25" racetrack drivers, 2 x 1.25" tweeter
- Subwoofer transducer: 6.5"
- Max SPL: 103dB
- USB port rating: 5V \equiv 0.5A (For service only)
- Frequency response: 40Hz - 20KHz
- Operating temperature: 0°C - 45°C
- Soundbar dimensions (W x H x D): 965 x 58 x 85 mm / 38" x 2.28" x 3.35"
- Soundbar weight: 2.16kg
- Subwoofer dimensions (W x H x D): 240 x 379 x 240 mm / 9.4" x 14.9" x 9.4"
- Subwoofer weight: 5.67kg
- Bluetooth version: 4.2
- Bluetooth frequency range: 2402 - 2480 MHz
- Maximum power of Bluetooth: 10dBm
- Bluetooth modulation: GFSK, $\pi/4$ DQPSK, 8DPSK
- 5G short-range wireless frequency range: 5161.35 - 5245.35MHz, 5736.35 - 5820.35MHz
- 5G short-range wireless power: <8dBm
- Maximum power of 5G Wireless: 12dBm
- 5G short-range wireless modulation: $\pi/4$ DQPSK
- Standby power consumption: 0.5W



TW

- Model: Bar 2.1 Deep Bass CNTR (Soundbar Unit), Bar 2.1 Deep Bass SUB (Subwoofer Unit)
- Power supply: 100 - 240V, ~ 50/60Hz
- Total maximum power: 300W
- Soundbar maximum power: 2 x 50W
- Subwoofer maximum power: 200W
- Soundbar transducer: 4 x 2.25" racetrack drivers, 2 x 1.25" tweeter
- Subwoofer transducer: 6.5"
- Max SPL: 103dB
- USB port rating: 5V \equiv 0.5A (For service only)
- Frequency response: 40Hz - 20KHz
- Operating temperature: 0°C - 45°C
- Soundbar dimensions (W x H x D): 965 x 58 x 85 mm / 38" x 2.28" x 3.35"
- Soundbar weight: 2.16kg
- Subwoofer dimensions (W x H x D): 240 x 379 x 240 mm / 9.4" x 14.9" x 9.4"
- Subwoofer weight: 5.67kg
- Bluetooth version: 4.2
- Bluetooth frequency range: 2402 - 2480 MHz
- Maximum power of Bluetooth: 10dBm
- Bluetooth modulation: GFSK, $\pi/4$ DQPSK, 8DPSK
- 5G short-range wireless frequency range: 5161.35 - 5245.35MHz, 5736.35 - 5820.35MHz
- 5G short-range wireless power: <8dBm
- Maximum power of 5G Wireless: 12dBm
- 5G short-range wireless modulation: $\pi/4$ DQPSK
- Standby power consumption: 0.5W

ID

- Model: Bar 2.1 Deep Bass CNTR (Soundbar Unit), Bar 2.1 Deep Bass SUB (Subwoofer Unit)
- Power supply: 100 - 240V, ~ 50/60Hz
- Total maximum power: 300W
- Soundbar maximum power: 2 x 50W
- Subwoofer maximum power: 200W
- Soundbar transducer: 4 x 2.25" racetrack drivers, 2 x 1.25" tweeter
- Subwoofer transducer: 6.5"
- Max SPL: 103dB
- USB port rating: 5V \equiv 0.5A (For service only)
- Frequency response: 40Hz - 20KHz
- Operating temperature: 0°C - 45°C
- Soundbar dimensions (W x H x D): 965 x 58 x 85 mm / 38" x 2.28" x 3.35"
- Soundbar weight: 2.16kg
- Subwoofer dimensions (W x H x D): 240 x 379 x 240 mm / 9.4" x 14.9" x 9.4"
- Subwoofer weight: 5.67kg
- Bluetooth version: 4.2
- Bluetooth frequency range: 2402 - 2480 MHz
- Maximum power of Bluetooth: 10dBm
- Bluetooth modulation: GFSK, $\pi/4$ DQPSK, 8DPSK
- 5G short-range wireless frequency range: 5161.35 - 5245.35MHz, 5736.35 - 5820.35MHz
- 5G short-range wireless power: <8dBm
- Maximum power of 5G Wireless: 12dBm
- 5G short-range wireless modulation: $\pi/4$ DQPSK
- Standby power consumption: 0.5W

AR

- Model: Bar 2.1 Deep Bass CNTR (Soundbar Unit), Bar 2.1 Deep Bass SUB (Subwoofer Unit)
- Power supply: 100 - 240V, ~ 50/60Hz
- Total maximum power: 300W
- Soundbar maximum power: 2 x 50W
- Subwoofer maximum power: 200W
- Soundbar transducer: 4 x 2.25" racetrack drivers, 2 x 1.25" tweeter
- Subwoofer transducer: 6.5"
- Max SPL: 103dB
- USB port rating: 5V \equiv 0.5A (For service only)
- Frequency response: 40Hz - 20KHz
- Operating temperature: 0°C - 45°C
- Soundbar dimensions (W x H x D): 965 x 58 x 85 mm / 38" x 2.28" x 3.35"
- Soundbar weight: 2.16kg
- Subwoofer dimensions (W x H x D): 240 x 379 x 240 mm / 9.4" x 14.9" x 9.4"
- Subwoofer weight: 5.67kg
- Bluetooth version: 4.2
- Bluetooth frequency range: 2402 - 2480 MHz
- Maximum power of Bluetooth: 10dBm
- Bluetooth modulation: GFSK, $\pi/4$ DQPSK, 8DPSK
- 5G short-range wireless frequency range: 5161.35 - 5245.35MHz, 5736.35 - 5820.35MHz
- 5G short-range wireless power: <8dBm
- Maximum power of 5G Wireless: 12dBm
- 5G short-range wireless modulation: $\pi/4$ DQPSK
- Standby power consumption: 0.5W

Торговая марка: JBL
Назначение товара: Активная акустическая система
Изготовитель: Харман Интернешнл Индастриз Инкорпорейтед, США, 06901 Коннектикут, г.Стэмфорд, Атлантик Стрит 400, офис 1500
Страна происхождения: Китай
Импортер в Россию: ООО "ХАРМАН РУС СиАйЭс", Россия, 127018, г.Москва, ул.Двинцев, д.12, к 1
Гарантийный период: 1 год
Информация о сервисных центрах: www.harman.com/ru тел. +7-800-700-0467
Срок службы: 5 лет

Товар сертифицирован

Дата производства:

EAC

Дата изготовления устройства определяется по двубуквенным обозначениям из второй группы символов серийного номера изделия, следующих после разделительного знака «-». Кодировка соответствует порядку букв латинского алфавита, начиная с января 2010 года: 000000-MY0000000, где «M» -месяц производства (А - январь, В - февраль, С - март и т.д.) и «Y» - год производства (А - 2010, В - 2011, С - 2012 и т.д.).

Используйте устройство только по прямому назначению в соответствии с предоставленной инструкцией. Не пытайтесь самостоятельно вскрывать корпус товара и осуществлять ремонт. В случае обнаружения недостатков или дефектов, обращайтесь за гарантийным обслуживанием в соответствии с информацией из гарантийного талона. Особые условия хранения, реализации и (или) транспортировки не предусмотрены. Избегайте воздействия экстремальных температур, длительного воздействия влаги, сильных магнитных полей. Устройство предназначено для работы в жилых зонах. Срок годности не ограничен при соблюдении условий хранения.



The Bluetooth® word mark and logos are registered trademarks owned by the Bluetooth SIG, Inc. and any use of such marks by HARMAN International Industries, Incorporated is under license. Other trademarks and trade names are those of their respective owners.



The terms HDMI, HDMI High-Definition Multimedia Interface, and the HDMI Logo are trademarks or registered trademarks of HDMI Licensing Administrator, Inc.



Manufactured under license from Dolby Laboratories. Dolby, Dolby Audio and the double-D symbol are trademarks of Dolby Laboratories.



Este equipamento não tem direito à proteção contra interferência prejudicial e não pode causar interferência em sistemas devidamente autorizados.

Este produto está homologado pela ANATEL, de acordo com os procedimentos regulamentados pela Resolução 242/2000, e atende aos requisitos técnicos aplicados.

Para maiores informações, consulte o site da ANATEL - www.anatel.gov.br

