

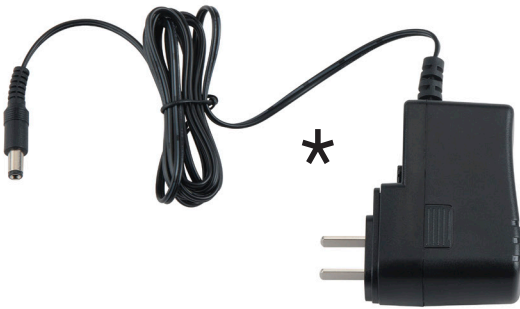
QUICK START GUIDE



SPINNERBT

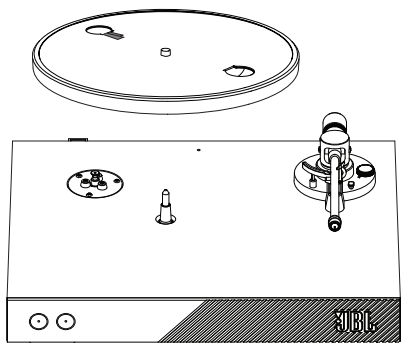


WHAT'S IN THE BOX

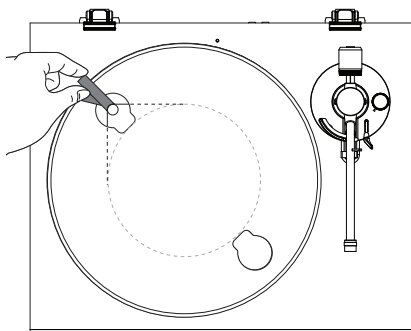


*POWER CORD PLUG TYPE VARY BY REGION

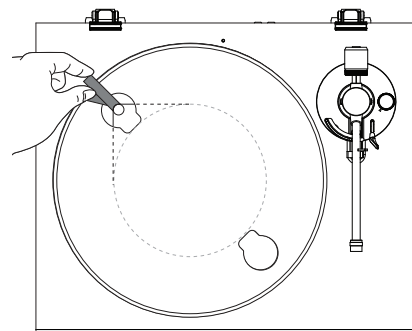
ASSEMBLY



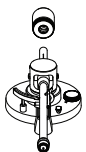
1. Fit the platter



2. Fit the belt around the motor pulley



3. Fit the platter matt

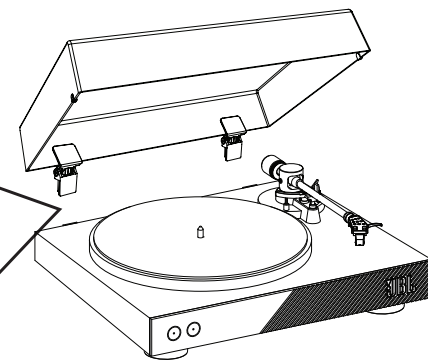
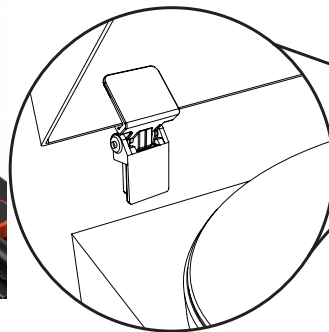


Fitting of the counterweight

4. Fit the Headshell



5. Fit the Counterweight



6. Fit the dust cover



BALANCE THE TONEARM



BLUETOOTH PAIRING



- Pairing Mode = Press and hold button for 2 seconds + Blue LED Flashing
- Connected = Blue LED Solid
- Reconnect = Tap button (Blue LED flashing = Connecting)
- Clear pairing record = Press and hold for 10 seconds

PLAYING RECORDS

