

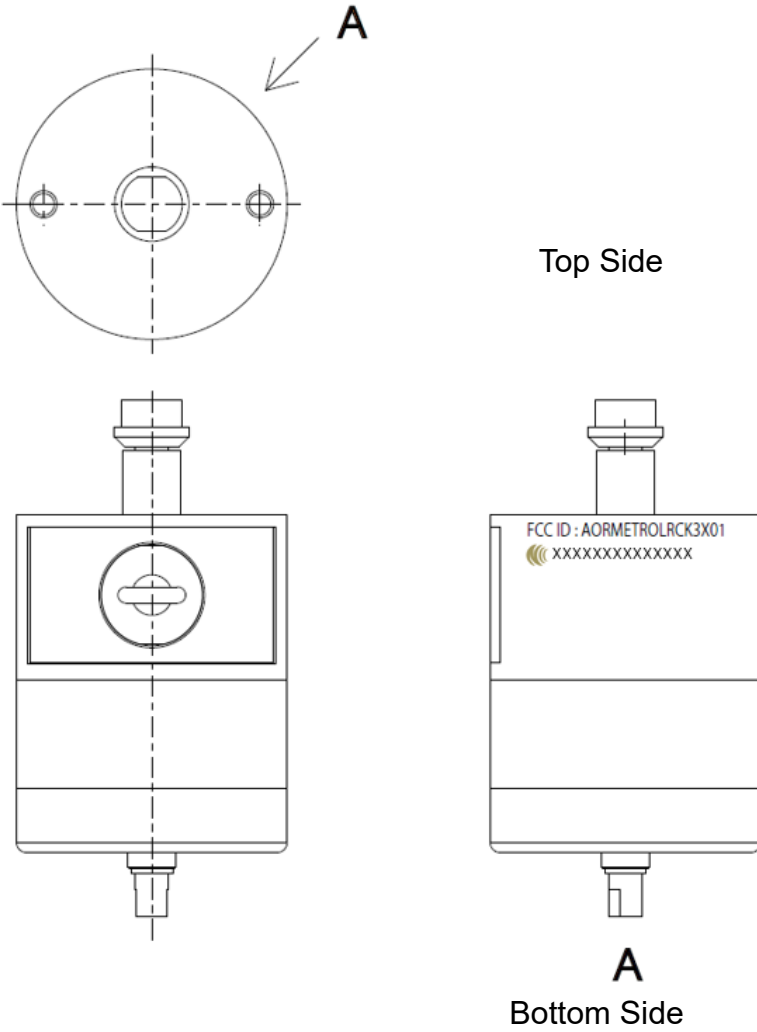
1 STATEMENT

The label is affixed on an immovable part near the **Top** side of the device.

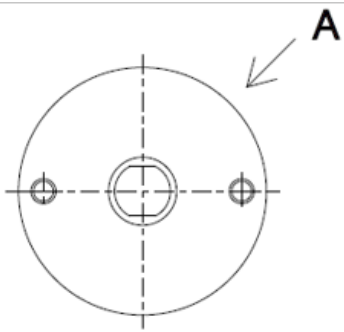
There is no space to bear Part 15.19 statement due to **the product size**, the statement is specified in user manual.

2 LABEL LOCATION

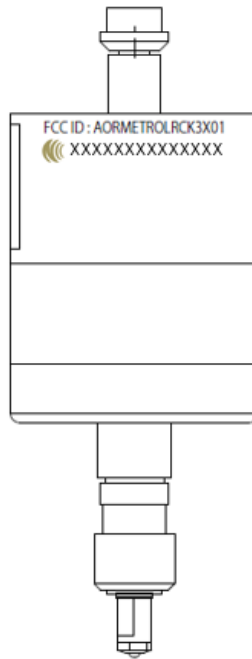
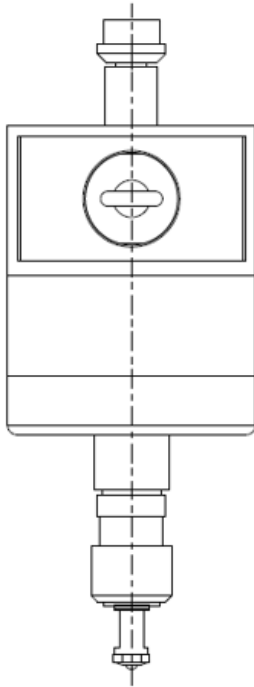
Model no.: RC-K3X-001HJ, RC-K3X-002HJ, RC-K3X-003HJ



Model no.: RC-P10DX-TUHJ



Top Side



A

Bottom Side