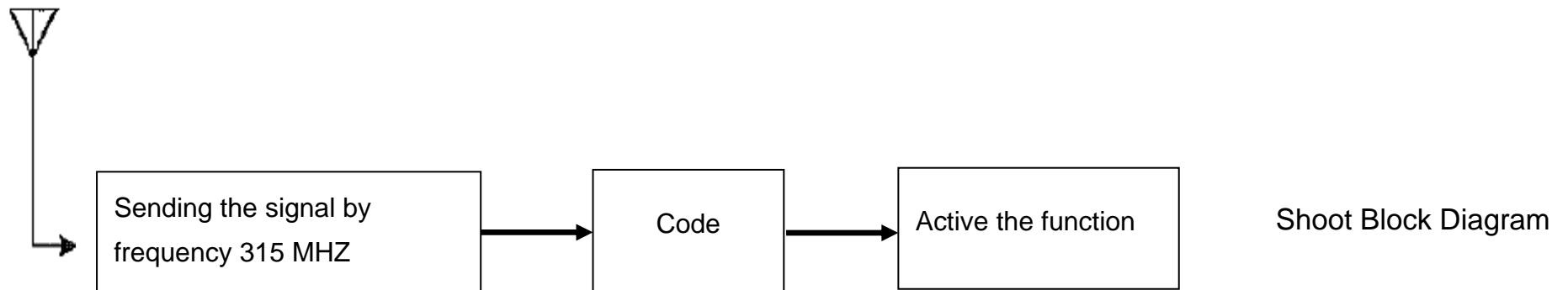


After receiving the signal, dis-code then active the function.



By pressing the function button to send the code by 315 MHZ frequency.