

User's Manual

(for ThinkPad R50 Series)

The attachment is the user's manual of the specified host device (IBM ThinkPad R50 Series).

The descriptions on page 6 through 10 are related to the regulatory notice on the FCC Part 15, Subpart C.



Part Number: 13N5912

Regulatory Notice for ThinkPad® R50 Series

This notice is a supplementary document of the *ThinkPad R50 Series Service and Troubleshooting Guide*. Please read this document before you use the ThinkPad R50 Series computer.

The ThinkPad R50 Series computer complies with the radio frequency and safety standards of any country or region in which it has been approved for wireless use. You are requested to install and use your ThinkPad computer in strict accordance with the instructions as described hereafter.

Réglementation concernant les ordinateurs ThinkPad R50 Series

Le présent document complète le manuel *ThinkPad R50 Series - Guide de maintenance et d'identification des incidents*.

L'ordinateur ThinkPad R50 Series est conforme aux normes de radiofréquence et de sécurité en vigueur dans les pays ou régions où son utilisation sans fil a été acceptée. L'ordinateur doit être installé et utilisé conformément aux instructions fournies ci-après. Avant d'utiliser votre ordinateur ThinkPad R50, veuillez lire ce document.

Hinweis zu Einheiten für den ThinkPad R50 Series

Dieser Hinweis ergänzt die Informationen im Handbuch *ThinkPad R50 - Service und Fehlerbehebung*.

Der ThinkPad R50 erfüllt die Funkfrequenz- und Sicherheitsstandards der Länder und Regionen, in denen er für die Verwendung als drahtlose Einheit zugelassen ist. Der ThinkPad R50 muss exakt wie nachfolgend beschrieben installiert und verwendet werden. Lesen Sie unbedingt die entsprechenden Informationen in diesem Dokument, bevor Sie den ThinkPad R50 verwenden.

Aviso de regulación para ThinkPad R50 Series

Este aviso es un documento adicional del manual *ThinkPad R50 Series Guía de servicio y de resolución de problemas*.

El sistema ThinkPad R50 Series satisface los estándares de seguridad y de frecuencia de radio de cualquier país o región en el que se haya aprobado su utilización para conexiones inalámbricas. Se solicita al usuario que instale y utilice el sistema ThinkPad siguiendo estrictamente las instrucciones que se describen a continuación. Antes de utilizar el sistema ThinkPad R50, lea este documento.

Informazioni importanti sul ThinkPad R50 Series

Queste informazioni importanti costituiscono un documento integrativo della *Guida all'assistenza e alla risoluzione dei problemi per ThinkPad R50 Series*.

L'elaboratore ThinkPad R50 è conforme agli standard di sicurezza e di frequenza radio di ciascun paese in cui è stato approvato per l'utilizzo della tecnologia senza fili. È, quindi, necessario installare ed utilizzare l'elaboratore ThinkPad in stretta osservanza alle istruzioni di seguito riportate. Prima di utilizzare l'elaboratore ThinkPad R50, leggere il presente documento.

ThinkPad R50 Series- tietokoneen yhteyksien käyttöä koskeva huomautus

Tämä asiakirja on *ThinkPad R50 Series -tietokone, Käyttö ja vianmääritys* -julkaisun lisäosa.

ThinkPad R50 Series -tietokone on sen maan tai alueen radiotaajuus- ja turvallisuusstandardien mukainen, jossa se on hyväksytty langattomien yhteyksien käyttöä varten. Käyttäjän tulee asentaa ThinkPad-tietokone ja käyttää sitä jäljempänä esitettyjen ohjeiden mukaisesti. Ennen kuin aloitat ThinkPad R50 -tietokoneen käytön, lue tämä asiakirja.

Kennisgeving voor ThinkPad R50 Series

Deze kennisgeving is een aanvulling op de publicatie *ThinkPad R50 Series Service en probleemoplossing*.

De ThinkPad R50 Series voldoet aan de standaards voor radiofrequenties en veiligheid in elk land of gebied waarin deze computer is goedgekeurd voor draadloos gebruik. U wordt verzocht uw ThinkPad-computer te installeren en te gebruiken in strikte overeenstemming met de instructies hierna beschreven. Lees dit document voordat u de ThinkPad R50-computer gaat gebruiken.

Bemærkning vedr. ThinkPad R50 Serie-computeren

Denne bemærkning er et supplement til bogen *ThinkPad R50 Serie Guide til service og fejlfinding*.

ThinkPad R50 Serie-computeren overholder de radiofrekvens- og sikkerhedsstandarder i de lande og områder, hvor den er godkendt til trådløs brug. Du skal installere og bruge ThinkPad-computeren i nøje overensstemmelse med instruktionerne i de følgende afsnit. Læs dette dokument, før du bruger ThinkPad R50-computeren.

Merknad for ThinkPad R50 Series

Denne merknaden kommer i tillegg til opplysningene i *ThinkPad R50 Series Håndbok for service og problemløsning*.

ThinkPad R50 Series-maskinen er i overensstemmelse med standardene for radiofrekvenssignaler og sikkerhet i alle land eller regioner der den er godkjent for trådlø bruk. Du blir bedt om å installere og bruke ThinkPad-maskinen i henhold til instruksjonene som følger. Du må lese dette dokumentet før du bruker ThinkPad R50-maskinen.

Bestämmelser för ThinkPad R50 Series

Det här dokumentet kompletterar informationen i handboken *ThinkPad R50 Series Service och felsökning*.

ThinkPad R50 Series uppfyller radiokommunikations- och säkerhetsnormerna i de länder och regioner där datorn har godkänts för trådlös användning. Användarna måste installera och använda sina ThinkPad-datorer i enlighet med respektive lands bestämmelser om radiokommunikation. Läs det här dokumentet innan du använder ThinkPad R50-datorn.

Aviso Regulador para ThinkPad R50 Series

Este aviso é um documento complementar do *Guia de Serviços e Resolução de Problemas do ThinkPad R50 Series*.

O computador ThinkPad R50 Series está de acordo com a frequência de rádio e com os padrões de segurança de qualquer país ou região em que seu uso sem fio tenha sido aprovado. Recomendamos que você instale e utilize seu computador ThinkPad exatamente conforme as instruções, conforme descrito daqui por diante. Antes de utilizar seu computador ThinkPad R50, leia este documento.

ThinkPad R50 シリーズの規制に関する注意事項

ThinkPad R50 シリーズのワイヤレス使用が認められているすべての国および地域で、ThinkPad R50 シリーズは、その国や地域の無線周波数および安全に関する規格を満たしています。ThinkPad の設置と使用については、「使用上の注意と問題判別」およびこの補足資料に記載されている規制に必ず従ってください。

ThinkPad R50 を使用する前に、日本については「使用上の注意と問題判別」の『日本国内で無線 LAN アダプターをご使用になる場合の注意』を、日本以外の国または地域については本資料をお読みください。本資料は、対象となる各国または地域の言語で記述されています。

ThinkPad R50 시리즈 규격에 관련된 사항

이 문서는 "ThinkPad R50 시리즈 사용설명서"의 보충 설명서입니다.

ThinkPad R50 시리즈는 무선을 사용할 수 있도록 인증된 어떠한 국가 또는 지역에서라도 사용될 수 있도록 전파 형식 등록과 안전 기준에 적합하게 만들어졌습니다. 사용설명서에 언급된 지시를 충실히 따라서 ThinkPad를 설치하고 사용하기 바랍니다. ThinkPad R50 컴퓨터를 사용하기 전에, 반드시 사용 설명서를 읽어 주시기 바랍니다.

ThinkPad R50 系列法規聲明

本聲明是《ThinkPad® R50 系列服務與故障診斷指南》的補充文檔。

ThinkPad R50 系列計算機符合任何已批准無線使用的國家或地區的無線電頻率和安全標準。要求您嚴格遵照以下描述的指示信息來安裝和使用 ThinkPad 計算機。在使用 ThinkPad R50 計算機之前，請閱讀本文檔。

ThinkPad R50 Series 的管制注意事項

本注意事項為「ThinkPad®R50 Series 服務與疑難排解手冊」的補充文件。

ThinkPad R50 系列電腦遵守任何國家或地區被核准為無線使用的無線電頻率以及安全標準。您被要求嚴格依照以下所說明的指示安裝以及使用您的 ThinkPad 電腦。在使用 ThinkPad R50 電腦之前，請先閱讀本文件。

USA — Federal Communications Commission (FCC)

This device complies with part 15 of the FCC Rules. Operation is subject to the following two conditions:

1. This device may not cause harmful interference, and
2. this device must accept any interference received, including interference that may cause undesired operation.

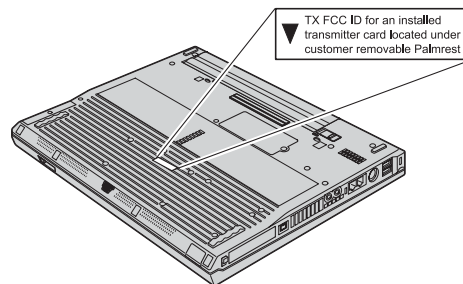
User installable wireless modules

- Mini-PCI Cards
 - Intel® PRO/Wireless LAN 2100 3B Mini PCI Adapter
 - IBM 11a/b/g Wireless LAN Mini PCI Adapter
- Communication Daughter Card (CDC)
 - IBM Integrated *Bluetooth* with 56K Modem

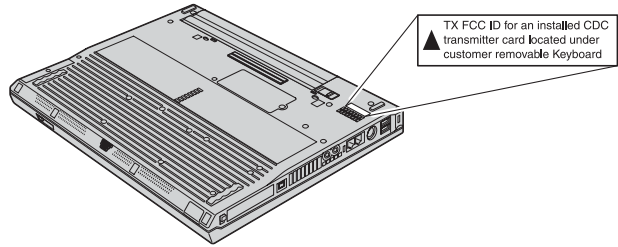
i) FCC ID of wireless modules

There is no FCC ID for Mini-PCI Cards shown on the enclosure of your ThinkPad computer. Instead you will find an indicator pointing the location of the FCC ID at the bottom side of your ThinkPad computer as shown below in the figure i-1). Also the location of the FCC ID's indicator for CDC is shown by the figure i-2). The FCC IDs are affixed on each approved module installed in the Mini-PCI Card slot or the CDC slot.

i-1) Mini-PCI Cards (FCC ID: ANO20020201CLK or ANO20030400LEG)

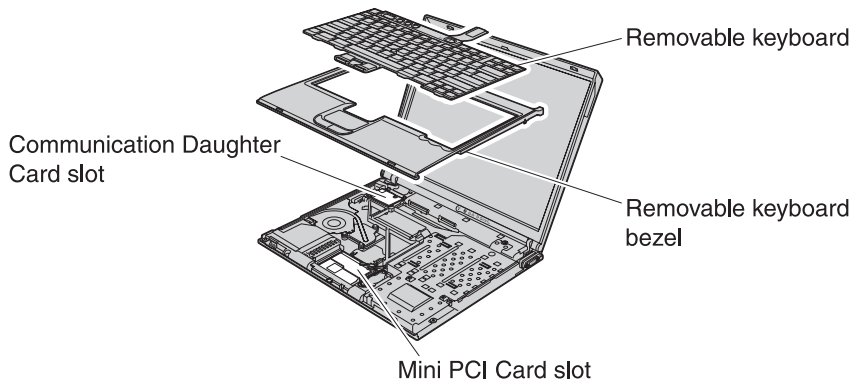


i-2) CDC (FCC ID: ANO20020100MTN)



ii) Installation of approved wireless modules

If no integrated wireless LAN Mini-PCI Card or RF CDC module is preinstalled in your ThinkPad computer, you can install one, provided by IBM as an option. Please plug the option wireless card into the Mini-PCI Card slot or CDC slot located under the keyboard of your ThinkPad computer as shown below.



Attention for the authentication mechanism

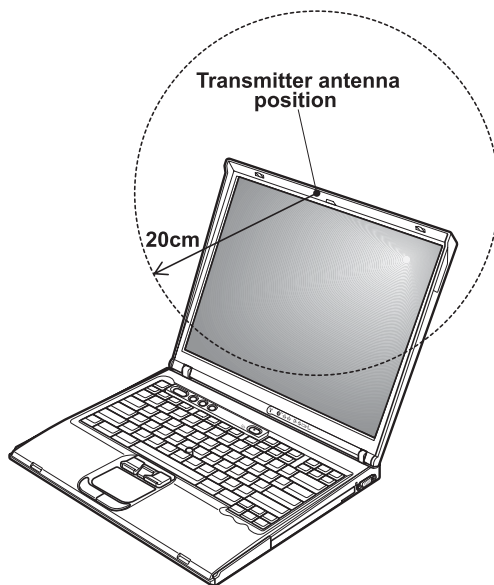
If you install an unauthorized wireless LAN Mini-PCI Card or RF CDC module that is not approved to use for the ThinkPad R50 Series computer, the computer does not start, but only displays an error message and emits beeps.

iii) The FCC RF safety requirement

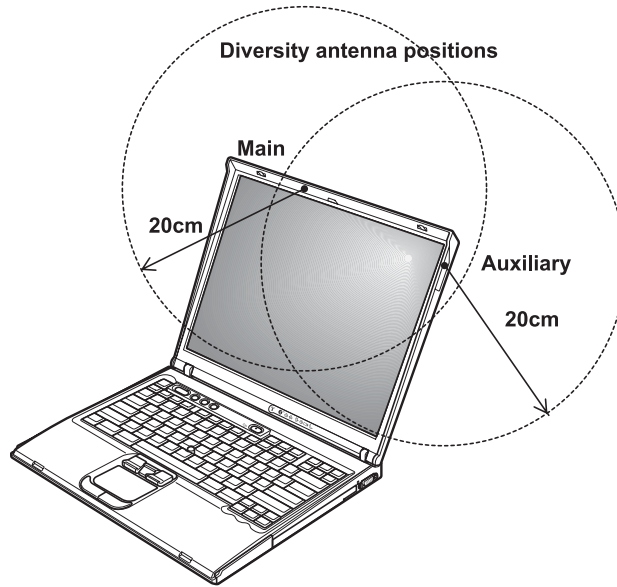
The radiated output power of the Wireless LAN Mini-PCI Cards or RF CDC module authorized to use for the ThinkPad R50 Series computer is far below the FCC radio frequency exposure limits. Nevertheless, the ThinkPad R50 Series computer shall be used in such a manner that the potential for human contact during normal operation is minimized as follows:

Caution: To comply with FCC RF exposure compliance requirements, a separation distance of at least 20 cm (8 inches) must be maintained between the antenna for the integrated Wireless LAN Mini-PCI Card built in to the screen section and all persons. You are not allowed to disable “standby mode” for the power management function, if you cannot maintain the sufficient antenna separation (at least 20 cm) in any case the LCD is left opened or closed.

Intel PRO/Wireless LAN 2100 3B Mini PCI Adapter (FCC ID: ANO20020201CLK)

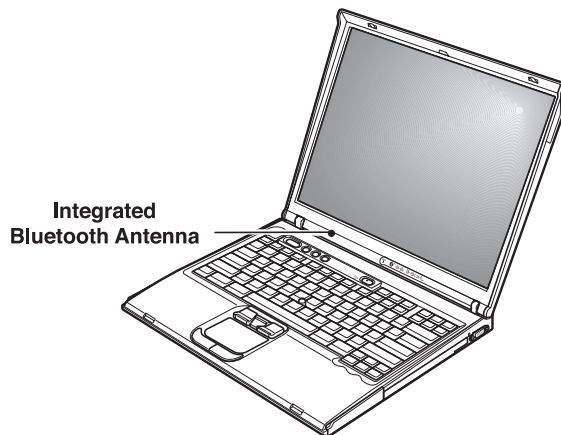


IBM 11a/b/g Wireless LAN Mini PCI Adapter (FCC ID: ANO20030400LEG)



Note: The transmission diversity function is implemented for the Card (FCC ID: ANO20030400LEG). The function does not emit radio frequencies simultaneously from both antennas. One of the antennas is selected automatically or manually (by users) to have good quality of radiocommunication.

IBM Integrated *Bluetooth* with 56K Modem (FCC ID: ANO20020100MTN)



Note: The antenna of IBM Integrated *Bluetooth* with 56K Modem is located on the bottom of the computer lid. Transmitted energy from the *Bluetooth* device is very low compared to other RF devices. Therefore a 20 cm separation from the *Bluetooth* antenna is not required.

Use of wireless options

Your ThinkPad computer is approved for use of one of the granted Wireless LAN Mini-PCI Cards together with the granted *Bluetooth* module in the CDC slot. Also you can use "*Bluetooth* PC Card II" option in the PC Card slot simultaneously. Please make sure of the following conditions on use of these wireless features.

1. Visit the IBM site at www.ibm.com/pc/qtechinfo/MIGR-43693.html and confirm the updated list of RF option devices that have been approved to cooperate with the integrated wireless feature.
2. When you use any other RF option device that is not listed on the IBM site, all other wireless features including the integrated transmitter in your ThinkPad computer are required to be turned off.
3. Users are requested to follow the RF Safety instructions on wireless option devices that are included in the RF option device's user's manual.

iv) Radio Frequency interference requirements

- This device is restricted to indoor use due to its operation in the 5.15 to 5.25 GHz frequency range. FCC requires this product to be used indoors for the frequency range 5.15 to 5.25 GHz to reduce the potential for harmful interference to co-channel Mobile Satellite systems.
- High power radar are allocated as primary users of the 5.25 to 5.35 GHz and 5.65 to 5.85 GHz bands. These radar stations can cause interference with and/or damage this device.
- An improper installation or unauthorized use may cause harmful interference to radio communications. Also any tampering of the internal antenna will void the FCC certification and your warranty. Refer to the "Appendix D. Notices, Electronic emission notices" of the *ThinkPad R50 Series Service and Troubleshooting Guide* for more detail.

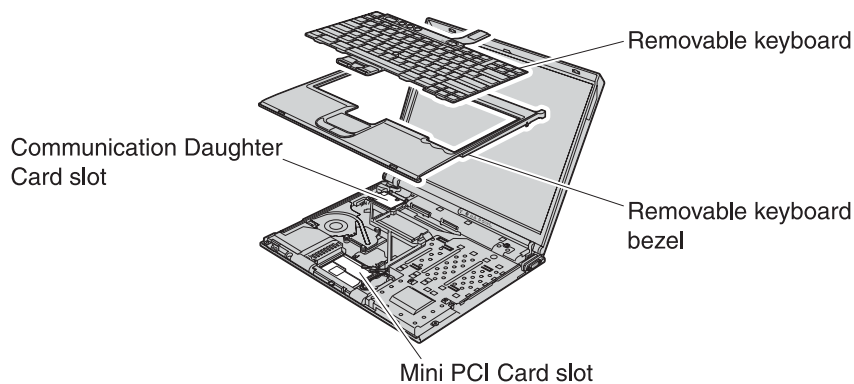
Canada — Industry Canada (IC)

Certification number

The certification number of Industry Canada for each approved Mini-PCI wireless card or RF Communication Daughter Card (CDC) is affixed on each module installed in the Mini-PCI Card slot or the CDC slot as shown below.

The applied wireless cards are:

- IBM 11a/b/g Wireless LAN Mini PCI Adapter, “IC: 349E-PH12127E”
- Intel PRO/Wireless LAN 2100 3B Mini PCI Adapter, “IC: 349E-WM3B2100”
- IBM Integrated *Bluetooth* with 56K Modem, “IC: 349E-BMDC200”



Attention for the authentication mechanism

You can install or remove each wireless feature by yourself. If you install an unauthorized wireless adapter that is not approved for use with the ThinkPad R50 Series computer, the computer does not start, but only displays an error message and emits beeps.

Low power license-exempt radiocommunication devices (RSS-210)

a. Common information

Operation is subject to the following two conditions:

1. This device may not cause interference, and
2. this device must accept any interference, including interference that may cause undesired operation of the device.

b. Operation in 2.4 GHz band

To prevent radio interference to the licensed service, this device is intended to be operated indoors and away from windows to provide maximum shielding. Equipment (or its transmit antenna) that is installed outdoors is subject to licensing.

c. Operation in 5 GHz band

- The device for the band 5150–5250 MHz is only for indoor usage to reduce potential for harmful interference to co-channel Mobile Satellite systems.
- High power radars are allocated as primary users (meaning they have priority) of 5250–5350 MHz and 5650–5850 MHz and these radars could cause interference and/or damage to LELAN (Licence-Exempt Local Area Network) devices.

Exposure of humans to RF fields (RSS-102)

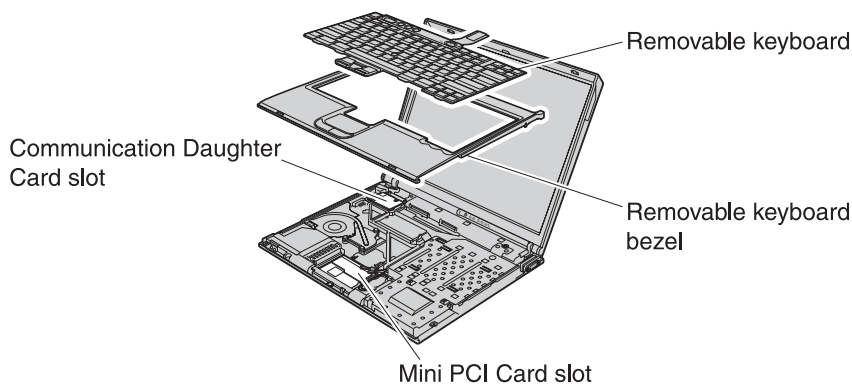
ThinkPad R50 Series computers employ low gain integral antennas that do not emit RF field in excess of Health Canada limits for the general population; consult Safety Code 6, obtainable from Health Canada's Web site at www.hc-sc.gc.ca/rpb

Numéro d'homologation

Le numéro d'homologation d'Industrie Canada pour chaque carte Mini-PCI sans fil homologuée ou carte RF CDC (Communication Daughter Card) est indiqué sur chaque module installé dans l'emplacement Mini-PCI Card ou CDC comme illustré ci-dessous.

Les cartes sans fil applicables sont les suivantes:

- IBM 11a/b/g Wireless LAN Mini PCI Adapter, "IC: 349E-PH12127E"
- Intel PRO/Wireless LAN 2100 3B Mini PCI Adapter, "IC: 349E-WM3B2100"
- IBM Integrated *Bluetooth* avec modem 56K, "IC: 349E-BMDC200"



Remarque relative au mécanisme d'authentification

Vous pouvez installer ou désinstaller tout dispositif sans fil. Si vous installez une carte sans fil qui n'est pas homologuée pour l'ordinateur ThinkPad R50 Series, l'ordinateur ne démarrera pas; un message d'erreur sera affiché et des bips sonores seront émis.

Remarque relative aux appareils de communication radio de faible puissance sans licence (RSS-210)

Le fonctionnement de ce type d'appareil est soumis aux deux conditions suivantes:

1. Cet appareil ne doit pas perturber les communications radio, et
2. cet appareil doit supporter toute perturbation, y compris les perturbations qui pourraient provoquer son dysfonctionnement.

Fonctionnement dans la bande 2.4 GHz

Afin d'éviter toute perturbation des communications radio des appareils sous licence, cet appareil devra uniquement être utilisé en intérieur et à distance de toute fenêtre afin de garantir une protection maximale. Tout équipement (ou toute antenne émettrice associée) installé en extérieur devra faire l'objet d'une licence.

Fonctionnement dans la bande 5 GHz

- Tout appareil destiné à la bande 5150–5250 MHz devra être exclusivement utilisé en intérieur afin de réduire les risques de perturbations électromagnétiques gênantes sur les systèmes de satellite mobile dans un même canal.
- Les radars à forte puissance sont désignés comme les utilisateurs principaux (c'est-à-dire qu'ils sont prioritaires) des bandes 5250–5350 MHz et 5650–5850 MHz. Ils peuvent provoquer des perturbations électromagnétiques sur les appareils de type LELAN (réseau de communication local sans licence) ou les endommager.

Exposition des êtres humains aux champs radioélectriques (RF) (RSS-102)

Le ThinkPad R50 Series utilise des antennes intégrales à faible gain qui n'émettent pas un champ électromagnétique supérieur aux normes imposées par le Ministère de la santé canadien pour la population. Consultez le Safety Code 6 sur le site Web du Ministère de la santé canadien à l'adresse "www.hc-sc.gc.ca/rpb".

Telecommunication notices

Federal Communications Commission (FCC) and Telephone Company Requirements (Part 68 of the FCC Rules)

1. The Telephone Consumer Protection Act of 1991 makes it unlawful for any person to use a computer or other electronic device to send any message via a telephone fax machine unless such message clearly contains in a margin at the top or bottom of each transmitted page or on the first page of the transmission, the date and time it is sent, and an identification of the business or other entity, or other individual sending the message and the telephone number of the sending machine or such business, other entity, or individual.

In order to program this information into your computer, you should be sure to follow the installation instructions for your fax software package.
2. The built-in modem is built into the ThinkPad computer. It complies with Part 68 of the FCC Rules. A label is affixed to the bottom of the computer that contains, among other things, the FCC registration number, USOC, and Ringer Equivalency Number (REN) for this equipment. If these numbers are requested, look at the label and provide this information to your telephone company.
3. The REN is useful to determine the quantity of devices you may connect to your telephone line and still have those devices ring when your number is called. In most, but not all, areas, the sum of the RENs of all devices should not exceed five (5.0). To be certain of the number of devices you may connect to your line, as determined by the REN (REN:0.7), you should call your local telephone company to determine the maximum REN for your calling area.
4. If the built-in modem causes harm to the telephone network, the telephone company may discontinue your service temporarily. If possible, they will notify you in advance. But, if advance notice isn't practical, you will be notified as soon as possible. You will be advised of your right to file a complaint with the FCC.
5. Your telephone company may make changes in its facilities, equipment, operations, or procedures that could affect the proper operation of your equipment. If they do, you will be given advance notice so as to give you an opportunity to maintain uninterrupted service.
6. If you experience trouble with this built-in modem, contact your IBM Authorized Seller, or the IBM Corporation, 500 Columbus Avenue, Thornwood, NY 10594, 1-800-772-2227, for repair/warranty information. The telephone company may ask you to disconnect this equipment from the network until the problem has been corrected, or until you are sure the equipment is not malfunctioning.

7. No customer repairs are possible to the modem. If you experience trouble with this equipment, contact your Authorized Seller or the IBM Corporation for information.
8. The modem may not be used on coin service provided by the telephone company. Connection to party lines is subject to state tariffs. Contact your state public utility commission or corporation commission for information.
9. When ordering network interface (NI) service from the Local Exchange Carrier, specify service arrangement USOC RJ11C.

Fax Branding

The Telephone Consumer Protection Act of 1991 makes it unlawful for any person to use a computer or other electronic device, including fax machines, to send any message unless such message clearly contains in a margin at the top of or bottom of each transmitted page or on the first page of the transmission, the date and time it is sent and an identification of the business or other entity, or other individual sending the message and the telephone number of the sending machine or such business, other entity, or individual. (The telephone number provided may not be a 900 number or any other number for which charges exceed local or long-distance transmission charges.)

Industry Canada requirements

Notice

The Industry Canada label identifies certified equipment. This certification means that the equipment meets certain telecommunications networks protective, operational, and safety requirements. The Department does not guarantee the equipment will operate to the user's satisfaction.

Before installing this equipment, users should ensure that it is permissible to be connected to the facilities of the local telecommunications company. The equipment must also be installed using an acceptable method of communication. In some cases, the company's inside wiring associated with a single line individual service may be extended by means of a certified connector assembly (telephone extension cord). The customer should be aware that compliance with the above conditions may not prevent degradation of service in some situations.

Repairs to certified equipment should be made by an authorized Canadian maintenance facility designated by the supplier. Any repairs or alterations made by the user to this equipment, or equipment malfunctions, may give the telecommunications company cause to request the user to disconnect the equipment.

Users should ensure for their own protection that the electrical ground connections of the power utility, telephone lines and internal metallic water pipe system, if present, are connected together. This precaution may be particularly important in rural areas.

Caution

Users should not attempt to make such connections themselves, but should contact the appropriate electric inspection authority, or electrician, as appropriate.

The **Ringer Equivalent Number** (REN:0.3) assigned to each terminal device provides an indication of the maximum number of terminals allowed to be connected to a telephone interface. The termination on an interface may consist of any combination of devices subject only to the requirement that the sum of the Ringer Equivalence Number of all the devices does not exceed 5.

Avis

L'étiquette du ministère de l'Industrie Canada identifie le matériel homologué. Cette étiquette certifie que le matériel est conforme à certaines normes de protection, d'exploitation et de sécurité des réseaux de télécommunications. Le Ministère n'assure toutefois pas que le matériel fonctionnera à la satisfaction de l'utilisateur.

Avant d'installer ce matériel, l'utilisateur doit s'assurer qu'il est permis de le raccorder aux installations de l'entreprise locale de télécommunication. Le matériel doit également être installé en suivant une méthode acceptée de raccordement. Dans certains cas, les fils intérieurs de l'entreprise utilisés pour un service individuel à ligne unique peuvent être prolongés au moyen d'un dispositif homologué de raccordement (cordon prolongateur téléphonique interne). L'abonné ne doit pas oublier qu'il est possible que la conformité aux conditions énoncées ci-dessus n'empêchent pas la dégradation du service dans certaines situations. Actuellement, les entreprises de télécommunication ne permettent pas que l'on raccorde leur matériel à des jacks d'abonné, sauf dans les cas précis prévus par les tarifs particuliers de ces entreprises.

Les réparations de matériel homologué doivent être effectuées par un centre d'entretien canadien autorisé désigné par le fournisseur. La compagnie de télécommunications peut demander à l'utilisateur de débrancher un appareil à la suite de réparations ou de modifications effectuées par l'utilisateur ou à cause de mauvais fonctionnement.

Pour sa propre protection, l'utilisateur doit s'assurer que tous les fils de mise à la terre de la source d'énergie électrique, des lignes téléphoniques et des canalisations d'eau métalliques, s'il y en a, sont raccordés ensemble. Cette précaution est particulièrement importante dans les régions rurales.

Avertissement

L'utilisateur ne doit pas tenter de faire ces raccordements lui-même; il doit avoir recours à un service d'inspection des installations électriques, ou à un électricien, selon le cas.

L'indice de charge (IC) assigné à chaque dispositif terminal indique (REN:0.3), pour éviter toute surcharge, le pourcentage de la charge totale qui peut être raccordée à un circuit téléphonique bouclé utilisé par ce dispositif. La terminaison du circuit bouclé peut être constituée de n'importe quelle combinaison de dispositifs, pourvu que la somme des indices de charge de l'ensemble des dispositifs ne dépasse pas 5.

Europe — EU Declaration of Conformity for Ambit 56K Internal Modem Module

Hereby Ambit declares that this "J07M058" modem is in conformity with the essential requirements and other relevant provisions of Directive 1999/5/EC.



AMBIT Microsystems Corporation

Headquarters: 5F-1, 5 Hsin-An Road, Hsinchu
Science-Based Industrial Park Taiwan,
TEL: +886 3 5784975
FAX: +886 3 5775100

Taipei Branch: 4-1, Ming-Shen Street, Tu Chen 236
Tu Chen Industrial District, Taiwan, R.O.C.
TEL:+886-2-2267 6511
FAX:+886-2-2267 6512

Declaration of Conformity

We,

AMBIT MICROSYSTEMS CORPORATION.
5F-1, 5 Hsin-An Road, Hsinchu Science-Based
Industrial Park, Taiwan, R.O.C
Contact Person: Mr. Allen Lai
Tel: 886-3-5784975 Fax: 886-3-5799178, 5775100
E-mail:allen.lai@ambit.com.tw

Herewith declare that the product:

Equipment : 56K Internal Modem Module
Model : J07M058

Is in conformity with the provisions of the following EC directive(s)
meets the requirements of the council of the European communities relating to and.

Reference NO.	Title
1999/5/EC	Radio & Telecommunications Terminal Equipment Directive (R&TTE)
73/23/EEC	Low Voltage Directive (LVD)
89/336/EEC	Electromagnetic Compatibility (EMC-Directive)

and that standards and/or technical specifications referenced above have been applied.

A handwritten signature in cursive script, appearing to read "Allen Lai", written over a horizontal line.

Allen Lai
R&D Supervisor
Ambit Microsystems Corporation
Date: July, 31, 2001

Notice for Users in Czech Republic



Český telekomunikační úřad

se sídlem Sokolovská 219, Praha 9
poštovní příhrádka 02, 225 02 Praha 025

Č. j. 10919 / 2003 – 612

Praha 14. 3. 2003

Český telekomunikační úřad podle § 8 a § 95 bod 2. písm. a), v souladu s § 102 odst. 1 zákona č. 151/2000 Sb., o telekomunikacích a o změně dalších zákonů (dále jen „zákon“), a vyhlášky Ministerstva dopravy a spojů č. 182/2000 Sb., o schvalovací značce pro telekomunikační koncová a rádiová zařízení (dále jen „vyhláška“) a na základě žádosti ze dne 6. 3. 2003, kterou podal zástupce pro Českou republiku:

IBM Česká republika, spol. s r.o.
Murmanská 4/1475, 100 00 Praha 10

IČO: 14890992

zmocněný výrobcem:

IBM CORPORATION
Route 138, SOMERS, New York, USA,

vydává výše uvedenému zmocněnému zástupci pro Českou republiku

rozhodnutí

o schválení typu koncového zařízení:

druh zařízení: **faksimilní a datový modem vestavný**

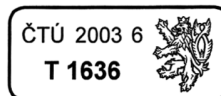
kód: **1216**

typové označení: **J07M058.00**

specifikace: **Modem vestavený do přenosných počítačů výrobce International Business Machines (IBM)
SW: Microsoft® Fax for Windows 2000 Version 5.0 and modem drivers for Windows® with the files Agrsm.inf 57kB 10/25/2002 and Agrsm.sys 1.1MB 10/18/2002
AT10=AT13=Agere SoftModem Version 2.1.20 AT14=Built on 10/18/2002 10:07:32 AT15=2.1.20, AMR Intel MB, AC97 ID:SIL REV:0x27, 28 AT17=AMR Intel MB AT18=AC97 ID:SIL REV:0x27 AT19=Czech Republic AT+FCLASS=0,1 AT+GCI=+GCI:2E AT+GMI=Agere Systems AT+GMR=2.1.20 AT+GMM=H.324 video-ready rev. 1.0**

výroba, země: **AMBIT Microsystem Corp.,, Taiwan-Čína**

a o přidělení schvalovací značky:



za následujících podmínek:

1. Zástupce pro Českou republiku (dále jen „držitel rozhodnutí“) odpovídá za to, že všechna zařízení, jejichž typ byl schválen tímto rozhodnutím, a jejichž distribuci bude provádět, budou odpovídat předložené dokumentaci, vzorku a podmínkám tohoto rozhodnutí.
2. Provozovatel koncového zařízení je podle § 44 odst. 1 zákona oprávněn připojovat k veřejné telekomunikační síti pouze schválená zařízení, označená schvalovací značkou, jejichž připojení ohlásil provozovateli sítě.
3. Každé vyrobené koncové zařízení, jeho obal a návod k obsluze budou v souladu s vyhláškou označeny schvalovací značkou uvedenou v tomto rozhodnutí.
4. Držitel rozhodnutí uvede v návodu k obsluze způsob a podmínky, za nichž může být schválené koncové zařízení provozováno.

(pokračování na straně 2)

IČO: 70106975

1/2001

5. Držitel rozhodnutí zabezpečí doplnění prodejní dokumentace zřetelnou, úplnou a dobře čitelnou oboustrannou kopií rozhodnutí opatřenou originálním otiskem razítka (v jiné než černé barvě) držitele rozhodnutí na každé kopii rozhodnutí.
6. Držitel rozhodnutí oznámí Českému telekomunikačnímu úřadu neprodleně veškeré změny skutečností, na základě kterých bylo rozhodnutí vydáno.
7. Český telekomunikační úřad je oprávněn zrušit rozhodnutí v případě změny vlastností a technických parametrů stanovených příslušnou předpisovou základnou podle § 6 zákona.
8. Držitel rozhodnutí uvede ve všech svých informačních a propagačních materiálech o zařízení schvalovací značku a sdělí, že typ zařízení je schválen pro použití v České republice.
9. Zařízení uvedené do provozu přede dnem ukončení platnosti rozhodnutí (31. 12. 2006) může zůstat v provozu i po ukončení platnosti rozhodnutí, pokud nebude v odůvodněných případech rozhodnuto jinak.

Faksimilní a datový modem vestavný J07M058.00 je vestavěn do přenosného počítače modelové řady IBM ThinkPad T30, IBM ThinkPad A31x, IBM ThinkPad X30, IBM ThinkPad R3x, IBM ThinkPad X31, IBM ThinkPad R40, IBM ThinkPad R40e, IBM ThinkPad T40, IBM ThinkPad G40, kde x může být [0-9] a nemá žádný vliv na telekomunikační parametry schvalovaného modemu. Tento přenosný počítač musí být označen schvalovací značkou.

Pozn.: Od 1. 4. 2003 je možno uvádět na trh pouze zařízení opatřená českou značkou shody, u nichž byla posouzena shoda podle nařízení vlády č. 426/2000 Sb., kterým se stanoví technické požadavky na rádiová a na telekomunikační koncová zařízení, ve znění nařízení vlády č. 483/2002 Sb.

Odůvodnění:

Zástupce výrobce pro Českou republiku, IBM Česká republika, spol. s r.o., ke své žádosti o schválení typu koncového zařízení doložil dokumenty podle § 7 zákona a Protokol o zkouškách zařízení, TESTCOM, č.j. 1071/02.

Na základě posouzení vlastností a technických parametrů stanovených pro tento druh zařízení předpisovou základnou podle § 6 zákona, a to: TZP 018 a TZP 020, bylo prokázáno, že zařízení splňuje požadavky uvedených technických předpisů. Zástupce výrobce pro Českou republiku, IBM Česká republika, spol. s r.o., dále prokázal, že je zmocněným zástupcem výrobce, a že zaplatil poplatek podle zákona č. 368/1992 Sb., o správních poplatcích, ve znění pozdějších předpisů.

Toto rozhodnutí nahrazuje rozhodnutí ČTÚ 2002 5, T 1636, č.j. 15925/2002-612 ze dne 3. 6. 2002.

Poučení:

Proti tomuto rozhodnutí lze podat odvolání k předsedovi Českého telekomunikačního úřadu do 15 dnů ode dne jeho doručení. Odvolání se podává prostřednictvím odboru certifikace Českého telekomunikačního úřadu se sídlem Sokolovská 219, Praha 9, poštovní příhrádka 02, 225 02 Praha 025.




Ing. Jan Sedláček
ředitel odboru certifikace

Místo pro razítko prodejce:

výrobní číslo:

Místo pro originální otisk razítka (v jiné než černé barvě) výrobce nebo jím zmocněného zástupce pro Českou republiku uvedeného na přední straně tohoto rozhodnutí: