

User's Manual

The attachment is a summary related to the FCC and IC regulations.

The descriptions marked in **yellow** are the related portion for the applying equipment.



Part Number: 92P1800

Regulatory Notice for ThinkPad G40 Series

This notice is a supplementary document of the “ThinkPad® G40 Series Service and Troubleshooting Guide.” Please read this document before you use the ThinkPad G40 Series computer.

The ThinkPad G40 Series computer complies with the radio frequency and safety standards of any country or region in which it has been approved for wireless use. You are requested to install and use your ThinkPad computer in strict accordance with the instructions as described hereafter.

Avis relatif aux appareils sans fil pour les ThinkPad G40 Series

Le présent document complète le manuel “ThinkPad® G40 Series - Guide de maintenance et d'identification des incidents”.

L'ordinateur ThinkPad G40 Series est conforme aux normes de radiofréquence et de sécurité en vigueur dans les pays ou régions où son utilisation sans fil a été acceptée. L'ordinateur doit être installé et utilisé conformément aux instructions fournies ci-après. Avant d'utiliser votre ordinateur ThinkPad G40, veuillez lire ce document.

Hinweis zu drahtlosen Einheiten für den ThinkPad G40 Series

Dieser Hinweis ergänzt die Informationen im Handbuch “ThinkPad® G40 - Service und Fehlerbehebung”.

Der ThinkPad G40 erfüllt die Funkfrequenz- und Sicherheitsstandards der Länder und Regionen, in denen er für die Verwendung als drahtlose Einheit zugelassen ist. Der ThinkPad G40 muss exakt wie nachfolgend beschrieben installiert und verwendet werden. Lesen Sie unbedingt die entsprechenden Informationen in diesem Dokument, bevor Sie den ThinkPad G40 verwenden.

USA — Federal Communications Commission (FCC)

This device complies with part 15 of the FCC Rules. Operation is subject to the following two conditions:

1. This device may not cause harmful interference, and
2. this device must accept any interference received, including interference that may cause undesired operation.

Integrated Wireless Modules

- IBM Dual-Band 11a/b Wi-Fi[®] Wireless Mini PCI Adapter
- IBM High Rate Wireless LAN Mini PCI Adapter III

i) Installation of the integrated wireless module

The IBM Dual-Band 11a/b Wi-Fi[®] Wireless Mini PCI Adapter and the IBM High Rate Wireless LAN Mini PCI Adapter are preinstalled by IBM, and are not removable by users.

If one of your cards requires replacement via the proper steps shown in "Chapter 3. Getting help and service from IBM" of the ThinkPad G40 Series Service and Troubleshooting Guide, IBM will request you to send your computer with the card(s) to IBM so that IBM will repair it.

ii) The FCC RF Safety Requirement

The radiated output power of the integrated Wireless LAN Mini-PCI Card is far below the FCC radio frequency exposure limits. Nevertheless, the ThinkPad G40 computer shall be used in such a manner that the potential for human contact during normal operation is minimized as follows:

Use of Wireless options

If you find an indication "FCC ID: ANO20020306A1L" or "Contains Transmitter Module FCC ID: ANO20020200BRX" on the label at the bottom side of your ThinkPad computer, your computer is approved as a multiple transmitters device that is permitted to use the integrated Wireless LAN Mini-PCI Card with one or more wireless option PC Cards in the PC Card slot simultaneously.

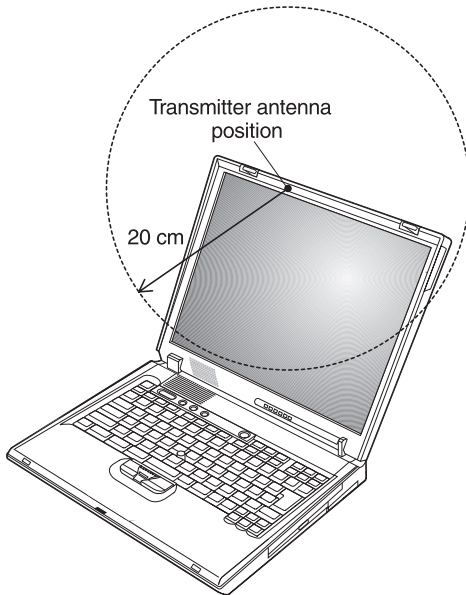
Please make sure of the following when you use a wireless option PC Card in your ThinkPad computer:

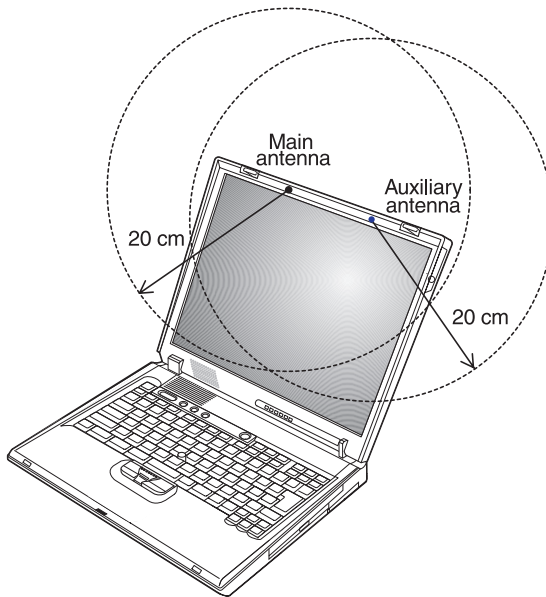
1. Visit the IBM site at www.ibm.com/pc/qtechinfo/MIGR_44156.html and confirm the updated list of RF option devices that have been approved to cooperate with the integrated wireless feature.
2. When you use any other RF option device that is not listed on the IBM site, all other wireless features including the integrated transmitter in your ThinkPad computer are required to be turned off.
3. Users are requested to follow the RF Safety instructions on wireless option devices that are included in the RF option device's user's manual.

CAUTION:

To comply with FCC RF exposure compliance requirements, a separation distance of at least 20 cm (8 inches) must be maintained between the antenna for the integrated Wireless LAN Mini-PCI Card built in to the screen section and all persons.

IBM High Rate Wireless LAN Mini PCI Adapter III (FCC ID: ANO20020200BRX)





Note The IBM Dual-Band 11a/b Wi-Fi[®] Wireless Mini PCI Adapter implements transmission diversity function. The function does not emit radio frequencies simultaneously from both antennas. One of the antennas is selected automatically or manually (by users) to have good quality of radio communication

iii) Radio Frequency Interference Requirements:

- An improper installation or unauthorized use may cause harmful interference to radio communications. Also any tampering of the internal antenna will void the FCC certification. Refer to the "Appendix E. Notices, Electronic emission notices" of the ThinkPad G40 Series Service and Troubleshooting Guide for more details

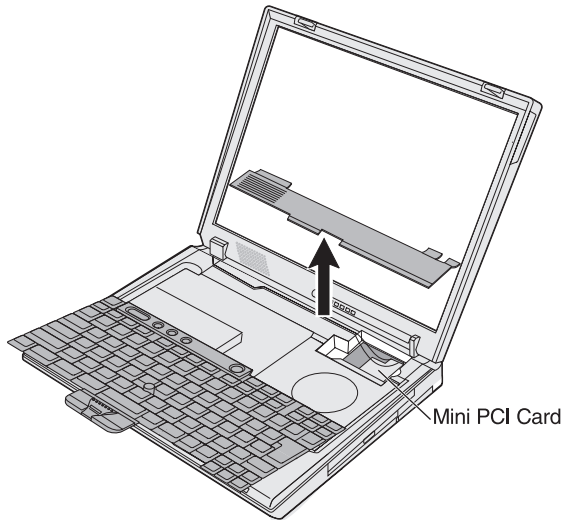
When the IBM Dual-Band 11a/b Wi-Fi[®] Wireless Mini PCI Adapter "FCC ID: ANO20020306A1L" is installed in your ThinkPad computer, please make sure that:

- This device is restricted to indoor use due to its operation in the 5.15 to 5.25 GHz frequency range. FCC requires this product to be used indoors for the frequency range 5.15 to 5.25 GHz to reduce the potential for harmful interference to co-channel Mobile Satellite systems.
- High power radar are allocated as primary users of the 5.25 to 5.35 GHz and 5.65 to 5.85 GHz bands. These radar stations can cause interference with and/or damage this device.

Canada — Industry Canada (IC)

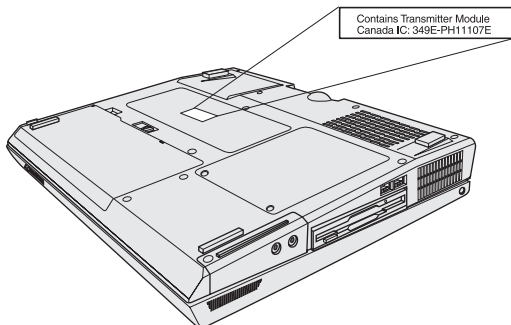
Certification number

The certification number of Industry Canada for the IBM High Rate Wireless LAN Mini PCI Adapter III (IC: 349E-802MIP) is affixed on the module installed in the Mini PCI Card slot as shown below.



As for the IC Certification number of the IBM Dual-Band 11a/b Wi-Fi[®] Wireless Mini PCI Adapter, it is indicated on the label at the bottom side of your ThinkPad computer, as shown below, because users cannot confirm the certification label of this transmitter module.

- IBM Dual-Band 11a/b Wi-Fi[®] Wireless Mini PCI Adapter, "IC: 349E-PH11107E"



Low Power License-Exempt Radio communication Devices (RSS-210)

1. Common information: Operation is subject to the following two conditions: (1) this device may not cause interference, and (2) this device must accept any interference, including interference that may cause undesired operation of the device.
2. Operation in 2.4 GHz band: To prevent radio interference to the licensed service, this device is intended to be operated indoors and away from windows to provide maximum shielding. Equipment (or its transmit antenna) that is installed outdoors is subject to licensing.
3. Operation in 5 GHz band:
 - The device for the band 5150-5250 MHz is only for indoor usage to reduce potential for harmful interference to co-channel Mobile Satellite systems.
 - High power radars are allocated as primary users (meaning they have priority) of 5250-5350 MHz and 5650-5850 MHz and these radars could cause interference and/or damage to LELAN (Licence-Exempt Local Area Network) devices.

Exposure of Humans to RF Fields (RSS-102)

The ThinkPad G40 Series employs low gain integral antennas that do not emit an RF field in excess of Health Canada limits for the general population; consult Safety Code 6, obtainable from Health Canada's website "www.hc-sc.gc.ca/rpb".

Numéro d'homologation

Le numéro d'homologation délivré au Canada pour les cartes IBM mini-PCI III pour réseau local sans fil haut débit (IC: 349E-802MIP) est apposé sur le module installé dans l'emplacement réservé à la carte mini-PCI, comme illustré ci-dessous.

Le numéro d'homologation de la carte IBM mini-PCI double bande sans fil 11a/b Wi-Fi se trouve sur l'étiquette collée sous l'ordinateur ThinkPad car les utilisateurs ne peuvent confirmer l'étiquette d'homologation pour ce module de transmission.

- Carte IBM mini-PCI double bande sans fil 11a/b Wi-Fi "IC: 349E-PH11107E"

Permis d'émission à faible puissance - Cas des appareils de communications radio (CNR-210)

1. Informations générales : Le fonctionnement de ce type d'appareil est soumis aux deux conditions suivantes : (1) Cet appareil ne doit pas perturber les communications radio, et (2) cet appareil doit supporter toute perturbation, y compris les perturbations qui pourraient provoquer son dysfonctionnement.
2. Fonctionnement dans la bande 2,4 GHz : Afin d'éviter toute perturbation des communications radio des appareils sous licence, cet appareil devra

être utilisé en intérieur uniquement et à distance de toute fenêtre afin de garantir une protection maximale. Tout équipement (ou toute antenne émettrice associée) installé en extérieur devra faire l'objet d'une licence.

3. Fonctionnement dans la bande 5 GHz:
 - Tout appareil destiné à la bande 5150-5250 MHz devra être exclusivement utilisé en intérieur afin de réduire les risques de perturbations électromagnétiques gênantes sur les systèmes de satellite mobile dans un même canal.
 - Les radars à forte puissance sont désignés comme les utilisateurs principaux (c'est-à-dire qu'ils sont prioritaires) des bandes 5250-5350 MHz et 5650-5850 MHz. Ils peuvent provoquer des perturbations électromagnétiques sur les appareils de type LELAN (réseau de communication local sans licence) ou les endommager.

Exposition des êtres humains aux champs radioélectriques (RF) (CNR-102)

Le ThinkPad G40 Series utilise des antennes intégrales à faible gain qui n'émettent pas un champ électromagnétique supérieur aux normes imposées par le Ministère de la santé canadien pour la population. Consultez le Safety Code 6 sur le site Web du Ministère de la santé canadien à l'adresse "www.hc-sc.gc.ca/rpb".