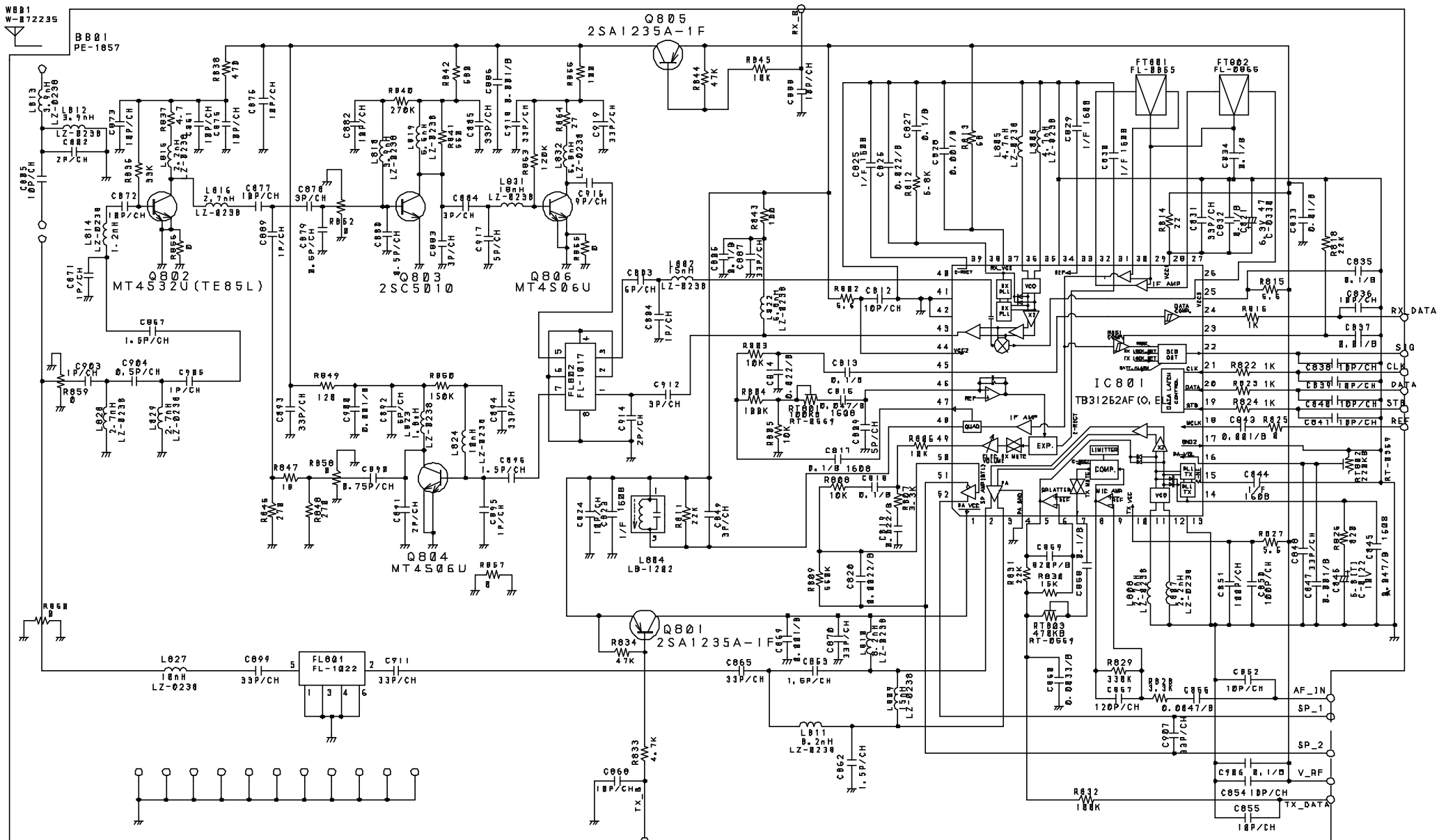


- NOTES:
1. RESISTANCE VALUES ARE SHOWN IN OHMS UNLESS OTHERWISE NOTED. (K=KILO OHM, M=MEG OHM)
  2. RESISTOR WATTAGES ARE (1/16W) UNLESS OTHERWISE NOTED.
  3. CAPACITANCE VALUES ARE INDICATED IN MICRO FARADS UNLESS OTHERWISE NOTED. (P=PICTO-MICRO FARAD)
  4. CHIP PARTS ARE NOT SPECIFIED IN THIS DRAWING. PLEASE REFER TO THE PARTS LIST FOR THE CHIP PARTS.
  5. CHIP CAPACITORS TYPE ARE [1608] UNLESS OTHERWISE NOTED.

DESIGN	DRAWN BY	UNIDEN No.	MODEL No.
2/10/12	2/12/13	UP0031H	EXA3245
YUG1	MUK0	TITLE PORT MAIN	
CHECK BY	APPROV BY	SCHEMATIC DIAGRAM	
		DRAWING No.	
		18/15_EPP PCB	
REV. No		UNIDEN CORP.	



- NOTES:
1. RESISTANCE VALUES ARE SHOWN IN OHMS UNLESS OTHERWISE NOTED. (K=KILLO OHM, M=MEG OHM)
  2. RESISTOR WATTAGES ARE [1/16W] UNLESS OTHERWISE NOTED.
  3. CAPACITANCE VALUES ARE INDICATED IN MICRO FARADS UNLESS OTHERWISE NOTED. (P=MICRO-MICRO FARAD)
  4. CHIP PARTS ARE NOT SPECIFIED IN THIS DRAWING PLEASE REFER TO THE PARTS LIST FOR THE CHIP PARTS.
  5. CHIP CAPACITORS TYPE ARE [1005] UNLESS OTHERWISE NOTED.

DESIGN	DRAWN BY	UNJEN NO.	MODEL NO.
02/10/24	17 NOV 82	UP0031H	EXA3245
		UP0041H	EXA13245(NM)
YU&I	MUKO	TITLE	PORT RF
CHECK BY	APPRO BY	SCHEMATIC DIAGRAM	
		DRAWING No.	
REV. No		UNIDEN CORP.	