

ALIGNMENT PROCEDURE & SPECIFICATIONS

ALIGNMENT PROCEDURE FORM-8

DATE ISSUED FEB. 01 2001

UNIDEN No UH-052AL
BUYER'S MDL ASC 911A

| APPRO | CHECK | ISSUE | WRITTEN |
|-------|-------|-------|---------|
| | | | |

DOCUMENT No.

NO.OF PAGES 33 W/ COVER PAGE

| TABLE OF CONTENTS | PAGE |
|------------------------------------|---------------|
| INITIALIZE | 2 |
| PRE-ADJUST | 5 |
| PRE CHECK | 8 |
| UNIT ADJUSTMENT | 11 |
| FUNCTION CHECK | 14 |
| ESN WRITING | 17 |
| SPECIFICATIONS | 20 |
| ESD TEST AND EVALUATION | 22 |
| VOLTAGE CHART | 26 |
| SOFTWARE VERSION TABLE | 32 |
| | - |
| | - |
| | - |
| | - |
| | - |
| | - |

| ISSUER'S STAMP |
|----------------|
| |

JIG REQUIREMENT

| JIG NAME | JIG NO. (PRODUCTION ASSIGNED) | ADAPTER NUMBER |
|--------------------------|----------------------------------|----------------|
| INTERFACE JIG (MODIFIED) | UH - 041Z - 4497 - 042Z | |
| LEVEL SHIFTER JIG | UA - 378 | |
| CONNECT JIG | UH - 052ZP - 4582 | |
| | | |
| | | |
| | | |
| | | |
| | | |
| | | |
| | | |
| | | |

| | | | | |
|----------|----------|-------|--------------|-----------|
| MODEL | UNIT | BLOCK | ISSUE DATE | ISSUED |
| UH-052AL | MAIN PCB | | FEB. 01 2001 | H.KAMBARA |

| | | | |
|-------|---------------------|-----------|--|
| TITLE | MAIN PCB INITIALIZE | SUB TITLE | |
|-------|---------------------|-----------|--|

REQUIRED EQUIPMENT AND JIG

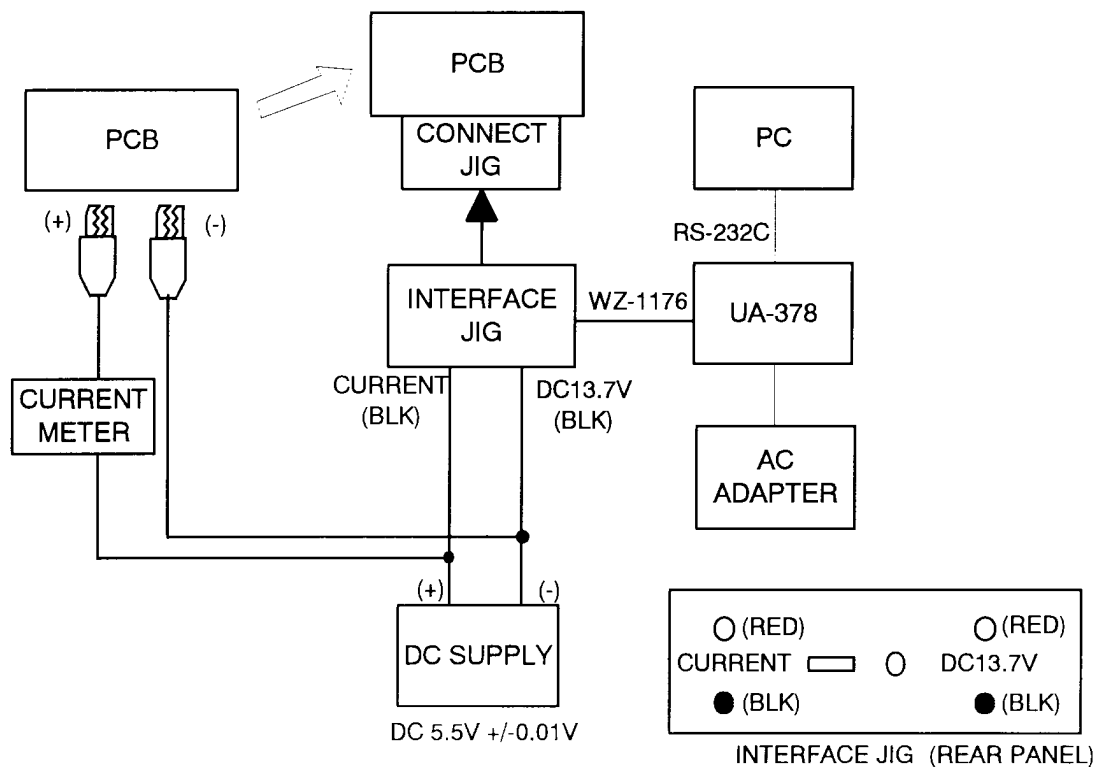
| NO. | JIG / EQUIPMENT NAME | JIG/EQUIP. MODEL NO. | QTY | REMARKS |
|-----|----------------------|-------------------------|-----|-----------------|
| 1 | MAIN PCB INITIAL JIG | | 1 | |
| 2 | PC | | 1 | COM1 |
| 3 | LEVEL SHIFTER JIG | UA - 378 | 1 | WITH AC ADAPTER |
| 4 | INTERFACE JIG | UH - 041Z - 4497 - 042Z | 1 | |
| 5 | DC SUPPLY | | 1 | |
| 6 | CABLE | WZ - 1176 | 1 | |
| 7 | RS-232C CABLE | | 1 | |
| 8 | CURRENT METER | | 1 | MAX. 1.0A |
| 9 | CONNECT JIG | UH - 052ZP - 4582 | 1 | |
| | | | | |
| | | | | |

JIG AND EQUIPMENT SETTING

| |
|--|
| |
| |
| |
| |

TOOLS / EQPT REQ'D FOR ADJUSTMENT

EQUIPMENT / JIG CONNECTION DIAGRAM



ALIGNMENT PROCEDURE FORM - 3

PAGE 3

| | | | | |
|----------|----------|-------|--------------|-----------|
| MODEL | UNIT | BLOCK | ISSUE DATE | ISSUED |
| UH-052AL | MAIN PCB | | FEB. 01 2001 | H.KAMBARA |

| | | | |
|-------|---------------------|-----------|-------------|
| TITLE | MAIN PCB INITIALIZE | SUB TITLE | REF DIAGRAM |
|-------|---------------------|-----------|-------------|

| STEP | CHECK POINT | SPEC | PROCEDURE |
|------|---------------|----------------------------------|---|
| 1 | CURRENT METER | LESS THAN 0.05mA. | CONNECT CLIPS TO BATTERY TERMINALS OF PCB. CHECK THE CURRENT. |
| 2 | | | REMOVE CLIP FROM PCB AND CONNECT TO THE CONNECT JIG. |
| 2 | CURRENT METER | MORE THAN 40mA LESS THAN 80mA | CHECK THE CURRENT AFTER POWER ON BEEP. |
| 4 | SCREEN OF PC | OK | PCB CAN BE INITIALIZED CORRECTLY |
| | | NG | PCB CAN NOT BE INITIALIZED |

| | | | | |
|----------|----------|-------|--------------|-----------|
| MODEL | UNIT | BLOCK | ISSUE DATE | ISSUED |
| UH-052AL | MAIN PCB | | FEB. 01 2001 | H.KAMBARA |

| | | |
|-------|------------|-----------|
| TITLE | PRE-ADJUST | SUB TITLE |
|-------|------------|-----------|

REQUIRED EQUIPMENT AND JIG

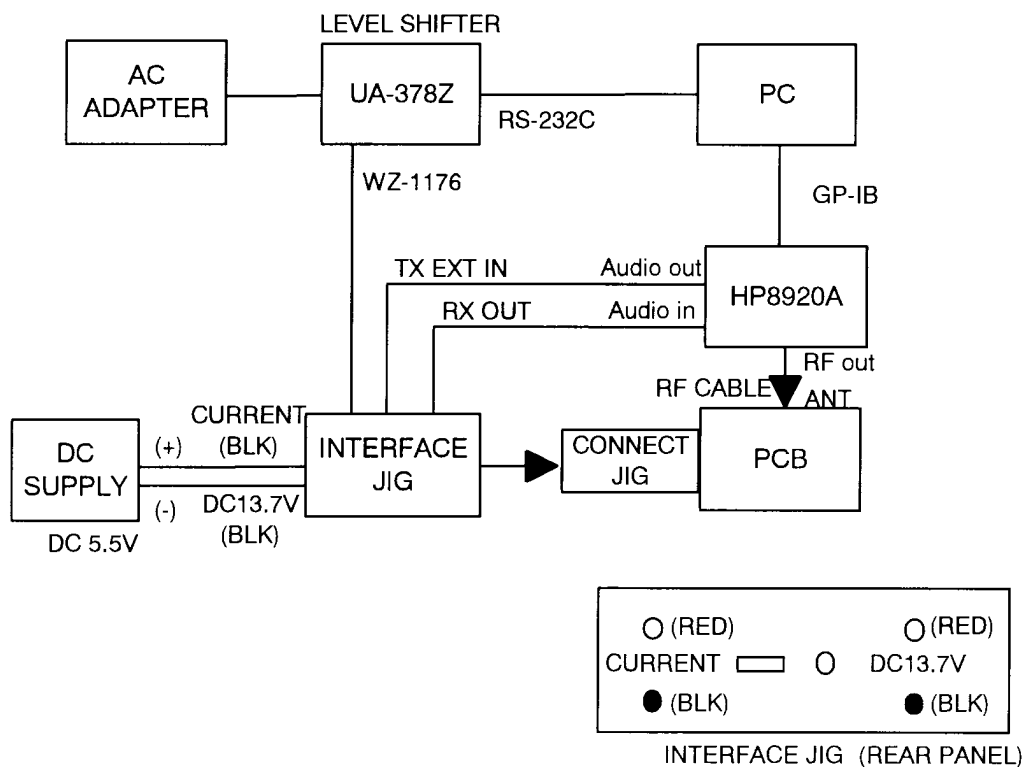
| NO. | JIG / EQUIPMENT NAME | JIG/EQUIP. MODEL NO. | QTY | REMARKS |
|-----|------------------------|-------------------------|-----|---|
| 1 | HP8920A | | 1 | WITH OPT 003(103),004,005, 008,011,014,050 |
| 2 | PC WITH GPIB INTERFACE | | 1 | GPIB:HP82335B |
| 3 | LEVEL SHIFTER JIG | UA - 378Z | 1 | WITH AC ADAPTOR |
| 4 | INTERFACE JIG | UH - 041Z - 4497 - 042Z | 1 | |
| 5 | DC SUPPLY | | 1 | |
| 6 | RS-232C CABLE | | 1 | |
| 7 | GPIB CABLE | | 1 | |
| 8 | CABLE | WZ - 1176 | 1 | |
| 9 | RF CABLE | | 1 | |
| 10 | CONNECT JIG | UH - 052ZP - 4582 | 1 | |

JIG AND EQUIPMENT SETTING

| | |
|--|--|
| | |
| | |
| | |

TOOLS / EQPT REQ'D FOR ADJUSTMENT

EQUIPMENT / JIG CONNECTION DIAGRAM



| | |
|-------------------------------------|--------|
| ALIGNMENT PROCEDURE FORM - 3 | PAGE 6 |
|-------------------------------------|--------|

| | | | | |
|----------|----------|-------|--------------|-----------|
| MODEL | UNIT | BLOCK | ISSUE DATE | ISSUED |
| UH-052AL | MAIN PCB | | FEB. 01 2001 | H.KAMBARA |

| | | | |
|-------|------------|-----------|-------------|
| TITLE | PRE-ADJUST | SUB TITLE | REF DIAGRAM |
|-------|------------|-----------|-------------|

| STEP | CHECK POINT | SPEC | PROCEDURE |
|------|--------------|------|-----------------------------------|
| 1 | | | RUN THE PRE-ADJUST PROGRAM OF PC |
| 2 | SCREEN OF PC | OK | PCB CAN BE PRE-ADJUSTED CORRECTLY |
| | | NG | PCB CAN NOT BE PRE-ADJUSTED |

| | | | | |
|----------|----------|-------|--------------|-----------|
| MODEL | UNIT | BLOCK | ISSUE DATE | ISSUED |
| UH-052AL | MAIN PCB | | FEB. 01 2001 | H.KAMBARA |

| | | | |
|-------|-----------|-----------|--|
| TITLE | PRE CHECK | SUB TITLE | |
|-------|-----------|-----------|--|

REQUIRED EQUIPMENT AND JIG

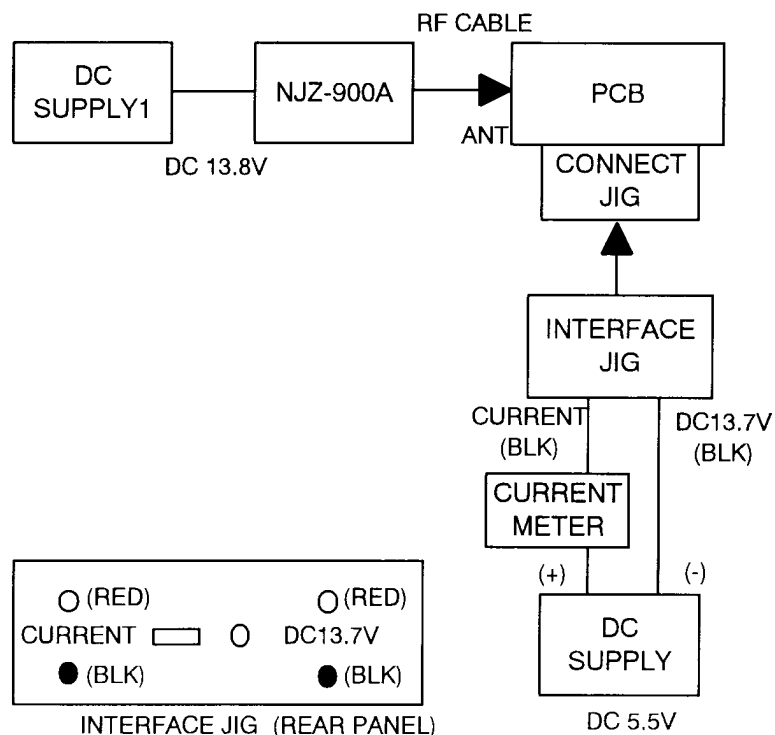
| NO. | JIG / EQUIPMENT NAME | JIG/EQUIP. MODEL NO. | QTY | REMARKS |
|-----|----------------------|-------------------------|-----|----------|
| 1 | NJZ-900A WITH H/S | | 1 | |
| 2 | DC SUPPLY | | 2 | |
| 3 | INTERFACE JIG | UH - 041Z - 4497 - 042Z | 1 | |
| 4 | RF CABLE | | 1 | |
| 5 | CONNECT JIG | UH - 052ZP - 4582 | 1 | |
| 6 | CURRENT METER | | 1 | MAX 1.0A |
| 7 | | | | |
| 8 | | | | |
| 9 | | | | |

JIG AND EQUIPMENT SETTING

| |
|--|
| |
| |
| |

TOOLS / EQPT REQ'D FOR ADJUSTMENT

EQUIPMENT / JIG CONNECTION DIAGRAM



ALIGNMENT PROCEDURE FORM - 3

PAGE 9

| | | | | |
|----------|----------|-------|--------------|-----------|
| MODEL | UNIT | BLOCK | ISSUE DATE | ISSUED |
| UH-052AL | MAIN PCB | | FEB. 01 2001 | H.KAMBARA |

| | | | |
|-------|-----------|-----------|-------------|
| TITLE | PRE CHECK | SUB TITLE | REF DIAGRAM |
|-------|-----------|-----------|-------------|

| STEP | CHECK POINT | SPEC | PROCEDURE |
|------|-------------------------------------|---|--|
| 1 | PANIC SIREN CURRENT | 100 - 300mA (WITHOUT SIREN SPEAKER) | PUSH LEFT AND RIGHT KEY FOR MORE THAN 1 SEC. THEN CHECK THE CURRENT. PUSH LEFT AND RIGHT KEY FOR MORE THAN 1 SEC TO STOP THE SIREN. |
| 2 | NJZ-900A (INITIAL ONLY) | | SET CH & MIN OF NJZ900A IN AUTO TEST MODE. PRESS NJZ900A "RESET" "CALL PROCESS" & "START". IDLE LED WILL FLASHING LCD DISPLAY SHOWS MIN No. " MIN=1234567890 " |
| 3 | LED's | IN USE LED | PRESS 911 KEY OF PCB. INUSE LED WILL FLASH AND WILL BE STILL AFTER CONNECTED TO NJZ900A. |
| | CONNECTION | CONNECTION OK | NJZ900A ORIGINATION LED WILL BE ON AND LCD DISPLAY SHOW FOLLOWS. "0123456789000000 SN=1A5FC897 " AND RING WILL COME APPEAR |
| | | CONNECTION NG | NJZ900A ORIGINATION WILL NOT BE ON, NOR BEEP COME APPEAR. PRESS "RESET" OF NJZ900A. |
| 4 | NJZ-900A | TALK FUNCTION | PRESS SEND KEY OF NJZ900A H/S. CHECK TALK FUNCTIONS WHILE TALK MODE LED IS BLINKING |
| 5 | CURRENT EAR SP OF NJZ-900A'S H/S | LESS THAN 700mA NO UNUSUAL NOISE | CHECK CURRENT. CHECK EAR SPEAKER NOISE |
| 6 | | | PRESS 911 KEY MORE THAN 1 SEC. CHECK CONNECTION WILL BE RELEASE. |

| | | | | |
|----------|-----------|-------|--------------|-----------|
| MODEL | UNIT | BLOCK | ISSUE DATE | ISSUED |
| UH-052AL | MAIN UNIT | | FEB. 01 2001 | H.KAMBARA |

| | | | |
|-------|-----------------|-----------|--|
| TITLE | UNIT ADJUSTMENT | SUB TITLE | |
|-------|-----------------|-----------|--|

REQUIRED EQUIPMENT AND JIG

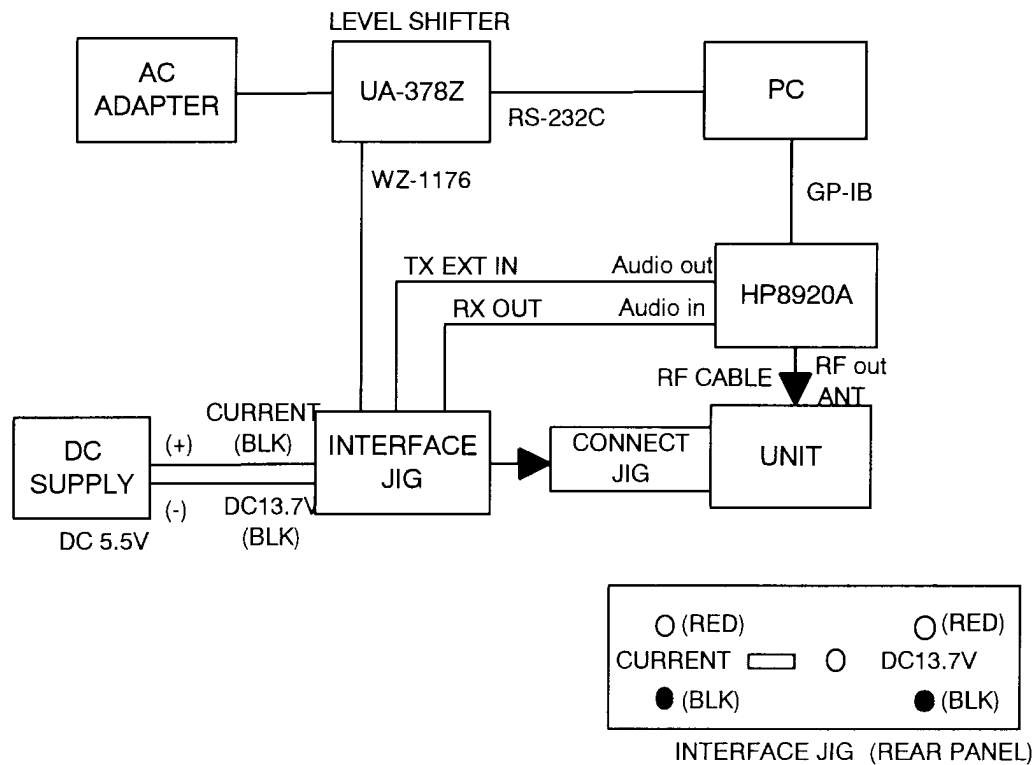
| NO. | JIG / EQUIPMENT NAME | JIG/EQUIP. MODEL NO. | QTY | REMARKS |
|-----|------------------------|-------------------------|-----|---|
| 1 | HP8920A | | 1 | WITH OPT 003(103),004,005, 008,011,014,050 |
| 2 | PC WITH GPIB INTERFACE | | 1 | GPIB:HP82335B |
| 3 | LEVEL SHIFTER JIG | UA - 378Z | 1 | WITH AC ADAPTER |
| 4 | INTERFACE JIG | UH - 041Z - 4497 - 042Z | 1 | |
| 5 | DC SUPPLY | | 1 | |
| 6 | RS-232C CABLE | | 1 | |
| 7 | GPIB CABLE | | 1 | |
| 8 | CABLE | WZ - 1176 | 1 | |
| 9 | RF CABLE | | 1 | |
| 10 | CONNECT JIG | UH - 052ZP - 4582 | 1 | |
| 11 | SHIELD ROOM | | 1 | (RECOMMENDED TO USE) |

JIG AND EQUIPMENT SETTING

| |
|--|
| |
| |

TOOLS / EQPT REQ'D FOR ADJUSTMENT

EQUIPMENT / JIG CONNECTION DIAGRAM



| | |
|-------------------------------------|---------|
| ALIGNMENT PROCEDURE FORM - 3 | PAGE 12 |
|-------------------------------------|---------|

| | | | | |
|----------|-----------|-------|--------------|-----------|
| MODEL | UNIT | BLOCK | ISSUE DATE | ISSUED |
| UH-052AL | MAIN UNIT | | FEB. 01 2001 | H.KAMBARA |

| | | | |
|-------|-----------------|-----------|-------------|
| TITLE | UNIT ADJUSTMENT | SUB TITLE | REF DIAGRAM |
|-------|-----------------|-----------|-------------|

| STEP | CHECK POINT | SPEC | PROCEDURE |
|------|--------------|------|-------------------------------|
| 1 | | | RUN ADJUSTMENT SOFTWARE. |
| 2 | SCREEN OF PC | OK | PCB CAN BE ADJUSTED CORRECTLY |
| | | NG | PCB CAN NOT BE ADJUSTED |

| | | | | |
|----------|-----------|-------|--------------|-----------|
| MODEL | UNIT | BLOCK | ISSUE DATE | ISSUED |
| UH-052AL | MAIN UNIT | | FEB. 01 2001 | H.KAMBARA |

| | | | |
|-------|----------------|-----------|--|
| TITLE | FUNCTION CHECK | SUB TITLE | |
|-------|----------------|-----------|--|

REQUIRED EQUIPMENT AND JIG

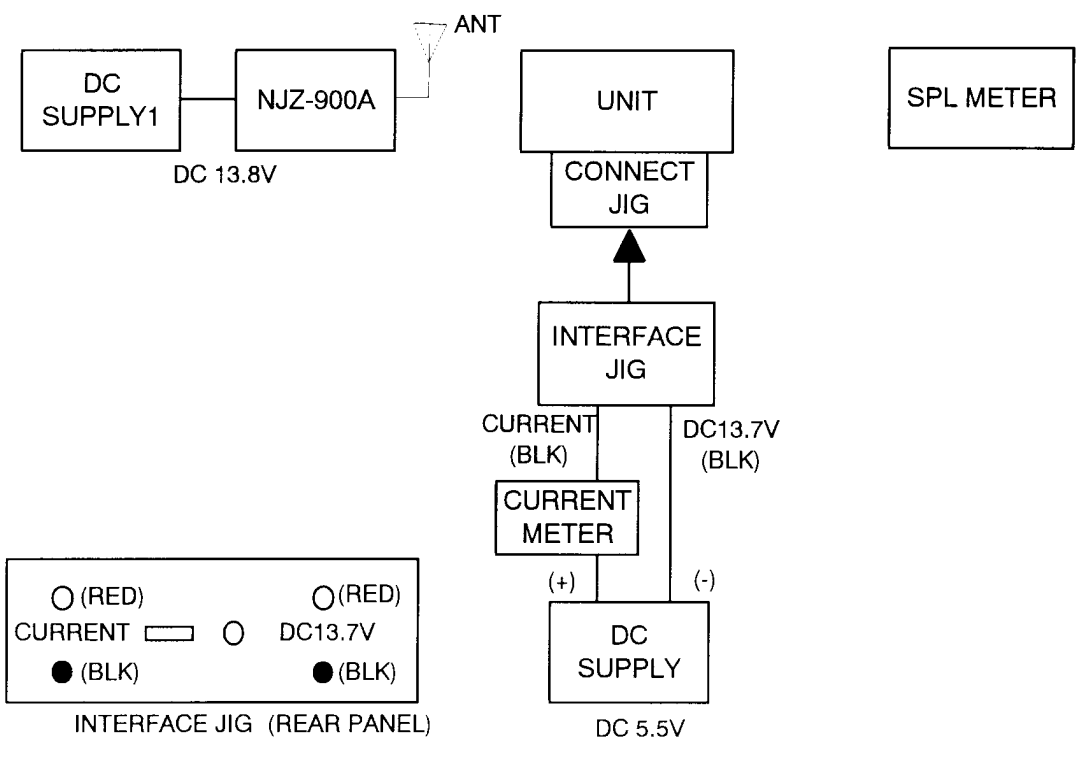
| NO. | JIG / EQUIPMENT NAME | JIG/EQUIP. MODEL NO. | QTY | REMARKS |
|-----|----------------------|-------------------------|-----|----------------------|
| 1 | NJZ-900A WITH H/S | | 1 | |
| 2 | DC SUPPLY | | 2 | |
| 3 | INTERFACE JIG | UH - 041Z - 4497 - 042Z | 1 | |
| 4 | CONNECT JIG | UH - 052ZP - 4582 | 1 | |
| 5 | CURRENT METER | | 1 | MAX 1.0A |
| 6 | ANTENNA | | 1 | for NJZ-900A |
| 7 | SPL METER | | 1 | |
| 8 | SHIELD ROOM | | 1 | (RECOMMENDED TO USE) |
| 9 | | | | |

JIG AND EQUIPMENT SETTING

| | |
|--|--|
| | |
|--|--|

TOOLS / EQPT REQ'D FOR ADJUSTMENT

EQUIPMENT / JIG CONNECTION DIAGRAM



| ALIGNMENT PROCEDURE FORM - 3 | | | | PAGE | 15 |
|------------------------------|-------------------------------|----------------------------------|--|-----------|----|
| MODEL | UNIT | BLOCK | ISSUE DATE | ISSUED | |
| UH-052AL | MAIN UNIT | | FEB. 01 2001 | H.KAMBARA | |
| TITLE | FUNCTION CHECK | SUB TITLE | REF DIAGRAM | | |
| STEP | CHECK POINT | SPEC | PROCEDURE | | |
| 1 | PANIC SIREN CURRENT SPL | 100 - 300mA 90dB SPL | PUSH LEFT AND RIGHT KEY FOR 1 SEC. CHECK THERE IS NO BUZZ SOUND. CHECK CURRENT. CHECK MAX. SOUND PRESSURE LEVEL AT DISTANCE OF 1m. | | |
| 2 | NJZ-900A (INITIAL ONLY) | | SET CH & MIN OF NJZ900A IN AUTO TEST MODE. PRESS NJZ900A "RESET" "CALL PROCESS" & "START". IDLE LED WILL FLASHING LCD DISPLAY SHOWS MIN No. " MIN=1234567890 " | | |
| 3 | LED's | IN USE LED | PRESS 911 KEY OF PCB. INUSE LED WILL FLASH AND WILL BE STILL AFTER CONNECTED TO NJZ900A. | | |
| | CONNECTION | CONNECTION OK | NJZ900A ORIGINATION LED WILL BE ON AND LCD DISPLAY SHOW FOLLOWS. "0123456789000000 SN=1A5FC897 " AND RING WILL COME APPEAR | | |
| | | CONNECTION NG | NJZ900A ORIGINATION WILL NOT BE ON, NOR BEEP COME APPEAR. PRESS "RESET" OF NJZ900A. | | |
| 4 | NJZ-900A | TALK FUNCTION | PRESS SEND KEY OF NJZ900A H/S. CHECK TALK FUNCTIONS WHILE TALK MODE LED IS BLINKING | | |
| 5 | CURRENT | LESS THAN 700mA | CHECK CURRENT. | | |
| | EAR SP OF UNIT VOLUME | NO UNUSUALNOISE VOLUME CHANGE | CHECK EAR SPEAKER NOISE CHECK EAR SPEAKER VOLUME WILL BE CHANGE EVERY LEFT KEY PUSH. | | |
| | EAR SP OF NJZ-900A'S H/S | NO UNUSUALNOISE | CHECK EAR SPEAKER NOISE | | |
| 6 | | | PRESS 911 KEY MORE THAN 1 SEC. CHECK CONNECTION WILL BE RELEASE. | | |

| | | | | |
|----------|----------|-------|--------------|-----------|
| MODEL | UNIT | BLOCK | ISSUE DATE | ISSUED |
| UH-052AL | MAIN PCB | | FEB. 01 2001 | H.KAMBARA |

| | | | |
|-------|-------------|-----------|--|
| TITLE | ESN WRITING | SUB TITLE | |
|-------|-------------|-----------|--|

REQUIRED EQUIPMENT AND JIG

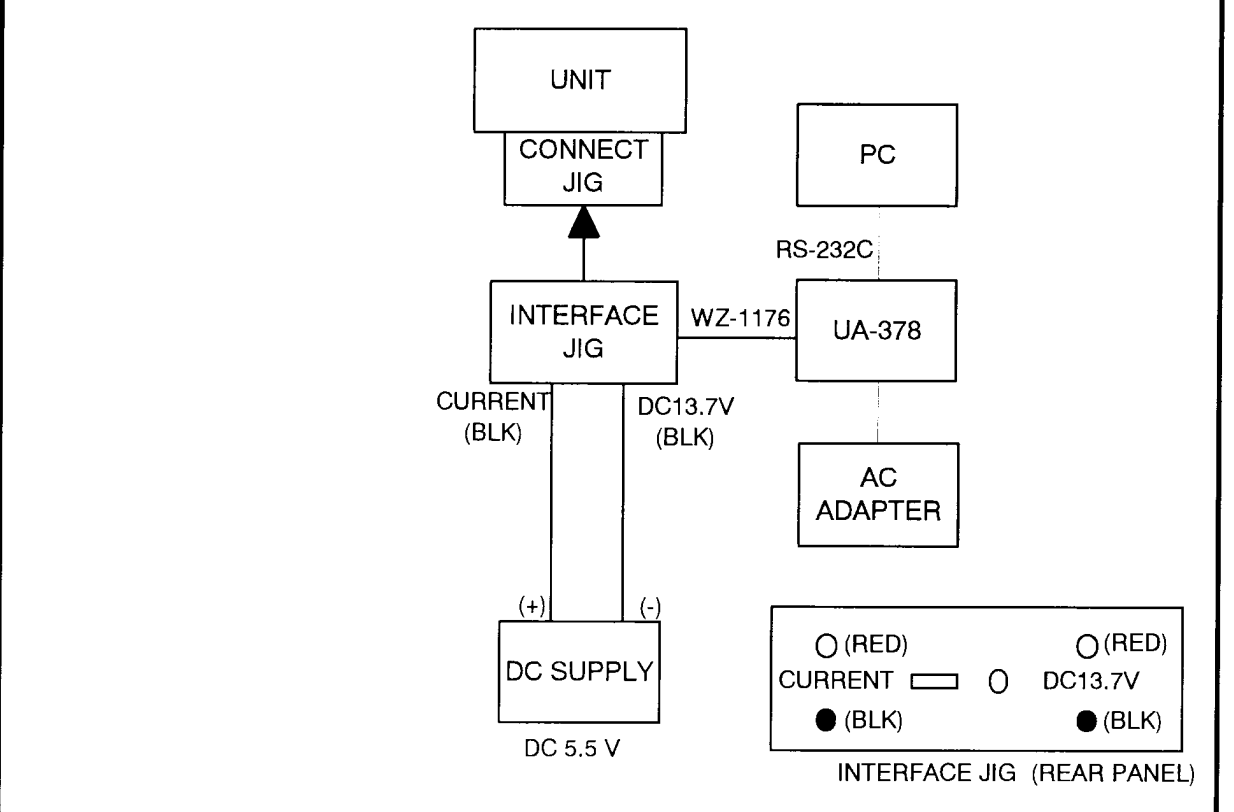
| NO. | JIG / EQUIPMENT NAME | JIG/EQUIP. MODEL NO. | QTY | REMARKS |
|-----|----------------------|-------------------------|-----|-----------------|
| 1 | MAIN PCB INITIAL JIG | | 1 | |
| 2 | PC | | 1 | COM1 |
| 3 | LEVEL SHIFTER JIG | UA - 378 | 1 | WITH AC ADAPTER |
| 4 | INTERFACE JIG | UH - 041Z - 4497 - 042Z | 1 | |
| 5 | DC SUPPLY | | 1 | |
| 6 | CABLE | WZ - 1176 | 1 | |
| 7 | RS-232C CABLE | | 1 | |
| 8 | CONNECT JIG | UH - 052ZP - 4582 | 1 | |
| 9 | | | | |

JIG AND EQUIPMENT SETTING

| | |
|--|--|
| | |
| | |
| | |

TOOLS / EQPT REQ'D FOR ADJUSTMENT

EQUIPMENT / JIG CONNECTION DIAGRAM



| | |
|-------------------------------------|---------|
| ALIGNMENT PROCEDURE FORM - 3 | PAGE 18 |
|-------------------------------------|---------|

| | | | | |
|----------|----------|-------|--------------|-----------|
| MODEL | UNIT | BLOCK | ISSUE DATE | ISSUED |
| UH-052AL | MAIN PCB | | FEB. 01 2001 | H.KAMBARA |

| | | | |
|-------|-------------|-----------|-------------|
| TITLE | ESN WRITING | SUB TITLE | REF DIAGRAM |
|-------|-------------|-----------|-------------|

| STEP | CHECK POINT | SPEC | PROCEDURE |
|------|--------------|------|--|
| 1 | SERIAL NO. | | CHECK THE SERIAL NO. OF UNIT CKECK THE SERIAL NO. INDICATED ON THE PC MONITOR. |
| 2 | SCREEN OF PC | OK | ESN WILLBE WRITTEN CORRECTLY |
| | | NG | ERROR MESSAGE WILL COME APPEAR. |

ALIGNMENT PROCEDURE FORM - 3

PAGE 20

| | | | | |
|----------|-----------|-------|--------------|-----------|
| MODEL | UNIT | BLOCK | ISSUE DATE | ISSUED |
| UH-052AL | MAIN UNIT | | FEB. 01 2001 | H.KAMBARA |

| | | | |
|-------|----------------|-----------|-------------|
| TITLE | SPECIFICATIONS | SUB TITLE | REF DIAGRAM |
|-------|----------------|-----------|-------------|

BUYER'S SPEC REFERENCE ONLY. (cf. SPECIFICATIONS SHEETS)

STANDARD CONDITION

(FOR LINE)

VOLTAGE DC 5.50 +/- 0.02V
 TEMP. 25 DEGREE C +/- 5
 CH. 993, 384, 797

| No. | DESCRIPTION | UNIT | FOR LINE | | FOR BUYER'S | | NOTE | |
|-----|----------------------|--------|----------|-------|-------------|-------|------------------|------------------|
| | | | MIN. | MAX. | MIN. | MAX. | | |
| 1 | TX FREQUENCY ERROR | ppm | -2.2 | 2.2 | -2.5 | 2.5 | -30 TO +60 DEG.C | |
| 2 | TX POWER | PL2 | dBm | 23.8 | 29.3 | 23.8 | 29.8 | -30 TO +60 DEG.C |
| | | PL3 | dBm | 20.3 | 25.3 | 19.8 | 25.8 | -30 TO +60 DEG.C |
| | | PL4 | dBm | 16.3 | 21.3 | 15.8 | 21.8 | -30 TO +60 DEG.C |
| | | PL5 | dBm | 12.3 | 17.3 | 11.8 | 17.8 | -30 TO +60 DEG.C |
| | | PL6 | dBm | 8.3 | 13.3 | 7.8 | 13.8 | -30 TO +60 DEG.C |
| | | PL7 | dBm | 4.3 | 9.3 | 3.8 | 9.8 | -30 TO +60 DEG.C |
| 3 | TX AUDIO | 300Hz | dB | -15.5 | -8.5 | -15.5 | -8.5 | REFERENCE 1 kHz |
| | FREQ. RES | 3kHz | dB | 4.5 | 10.5 | 4.5 | 10.5 | |
| 4 | TX MOD LIMITING | | kHz | / | 11.0 | / | 12.0 | -30 TO +60 DEG.C |
| 5 | DATA DEVIATION | | kHz | 7.5 | 8.5 | 7.2 | 8.8 | -30 TO +60 DEG.C |
| 6 | SAT DEVIATION | 5970Hz | kHz | | | | | -30 TO +60 DEG.C |
| | | 6000Hz | kHz | 1.90 | 2.10 | 1.80 | 2.20 | |
| | | 6030Hz | kHz | | | | | |
| 7 | ST. DEVIATION | | kHz | 7.5 | 8.5 | 7.2 | 8.8 | -30 TO +60 DEG.C |
| 8 | SAT FREQUENCY | 5970Hz | Hz | 5969 | 5971 | 5969 | 5971 | |
| | | 6000Hz | Hz | 5999 | 6001 | 5999 | 6001 | |
| | | 6030Hz | Hz | 6029 | 6031 | 6029 | 6031 | |
| 9 | ST. FREQUENCY | | kHz | 9.999 | 10.001 | 9.999 | 10.001 | |
| 10 | TX DISTORTIN & NOISE | | dB | / | / | 26.0 | / | -30 TO +60 DEG.C |

ALIGNMENT PROCEDURE FORM - 3

PAGE 21

| | | | | |
|----------|-----------|-------|--------------|-----------|
| MODEL | UNIT | BLOCK | ISSUE DATE | ISSUED |
| UH-052AL | MAIN UNIT | | FEB. 01 2001 | H.KAMBARA |

| | | | |
|-------|----------------|-----------|-------------|
| TITLE | SPECIFICATIONS | SUB TITLE | REF DIAGRAM |
|-------|----------------|-----------|-------------|

| UNIT | | | FOR LINE | | FOR BUYER'S | | NOTE | |
|------|---|-------|----------|-------|-------------|-------|------------------------|-----------------|
| No. | DESCRIPTION | UNIT | MIN. | MAX. | MIN. | MAX. | | |
| 11 | CARRIER ON STATE | dBm | / | / | / | -60.0 | | |
| 12 | CONDUCTED SPURIOUS EMISSION | dB | / | / | / | -40.7 | | |
| 13 | RX AUDIO FREQ | 300Hz | dB | 9.0 | 23.0 | 9.0 | 23.0 | REFERENCE 1 kHz |
| | RESPONSE | 3kHz | dB | -31.0 | -17.0 | -31.0 | -17.0 | |
| 14 | RX HUM & NOISE | dB | / | / | / | -32.0 | | |
| 15 | RX DISTORTION | % | / | 4.0 | / | 5.0 | | |
| 16 | RX 12dB SINAD (INPUT 8kHz DEV. 1kHz) | dBm | / | / | -116.0 | / | -20 TO +50 DEG.C | |
| | | | / | / | -113.0 | / | -30 TO +60 DEG.C | |
| 17 | RX SINAD @ -116dBm | dB | 12.0 | / | / | / | INPUT 8kHz DEV. 1kHz | |
| 18 | I.M.D | dB | / | / | 65.0 | / | +/-60&120Hz | |
| 19 | SPURIOUS INTERFERENCE | dB | / | / | 60.0 | / | | |
| 20 | CONDUCTED SPURIOUS EMISSION | dBm | / | / | / | -47.0 | | |
| 21 | ADJACENT CHANNEL DESENSITIZATION | dB | / | / | 16.0 | / | | |
| 22 | ALTERNATE CHANNEL DESENSITIZATION | dB | / | / | 60.0 | / | | |
| 23 | STBY CURRENT | mA | / | 0.1 | / | 0.1 | DC 5.50V+/-0.1V | |
| 24 | TALK CURRENT | mA | / | 700 | / | 730 | DC 5.50V+/-0.1V ch=383 | |
| 25 | SIREN SOUND LEVEL | dBspl | / | / | 90 | / | at 100cm, A Range | |