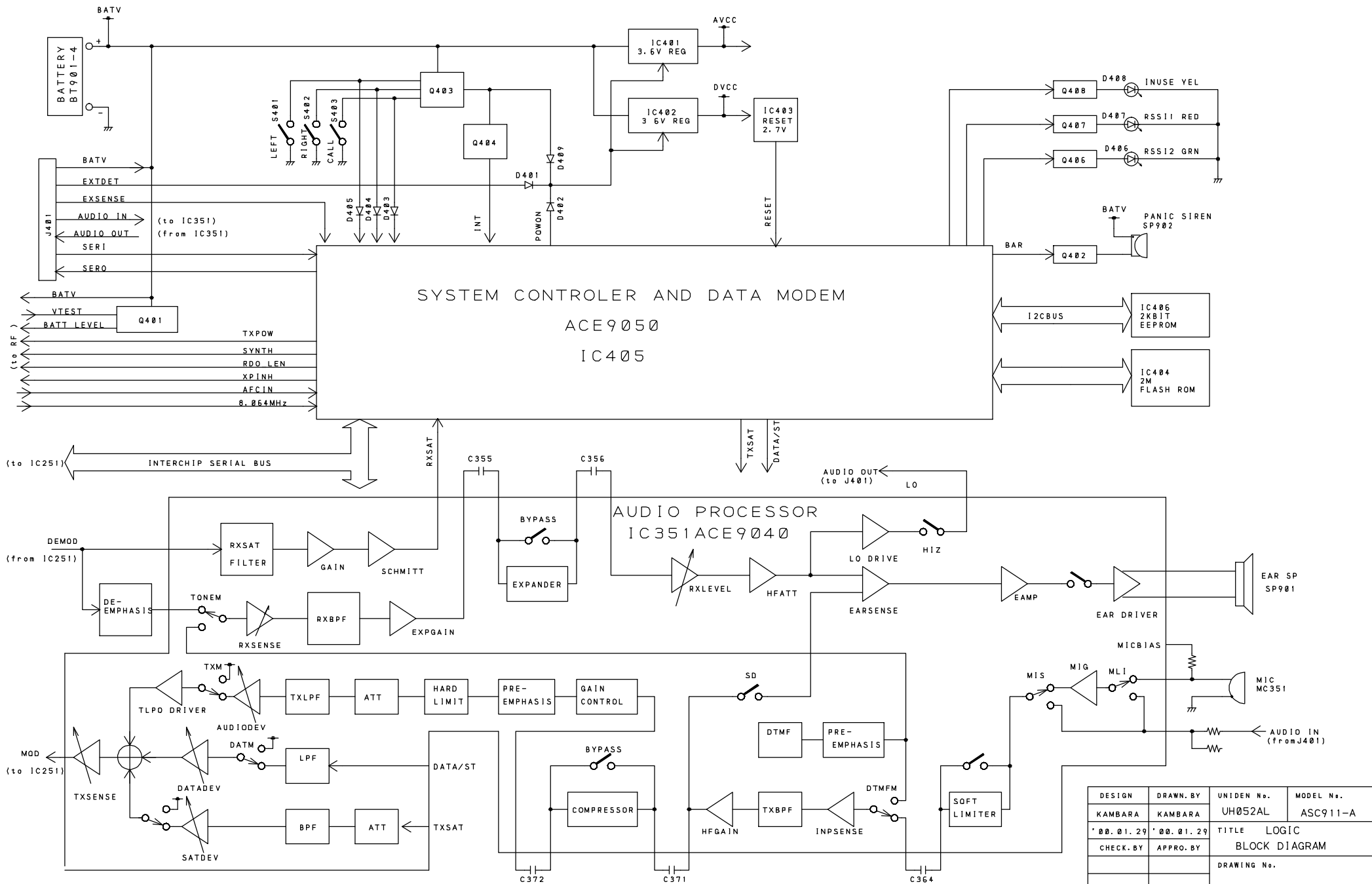


DESIGN	DRAWN BY	UNIDEN No.	MODEL No.
KAMBARA	KAMBARA	UH052AL	ASC911A
'01.01.29	'01.01.29	TITLE RF	
CHECK BY	APPRO BY	BLOCK DIAGRAM	
		DRAWING No.	
REV. No		UNIDEN CORP.	



DESIGN	DRAWN BY	UNIDEN No.	MODEL No.
KAMBARA	KAMBARA	UH052AL	ASC9111-A
'00.01.29	'00.01.29	TITLE	LOGIC
CHECK BY	APPRO BY	BLOCK DIAGRAM	
		DRAWING No.	
REV. No.		UNIDEN CORP.	