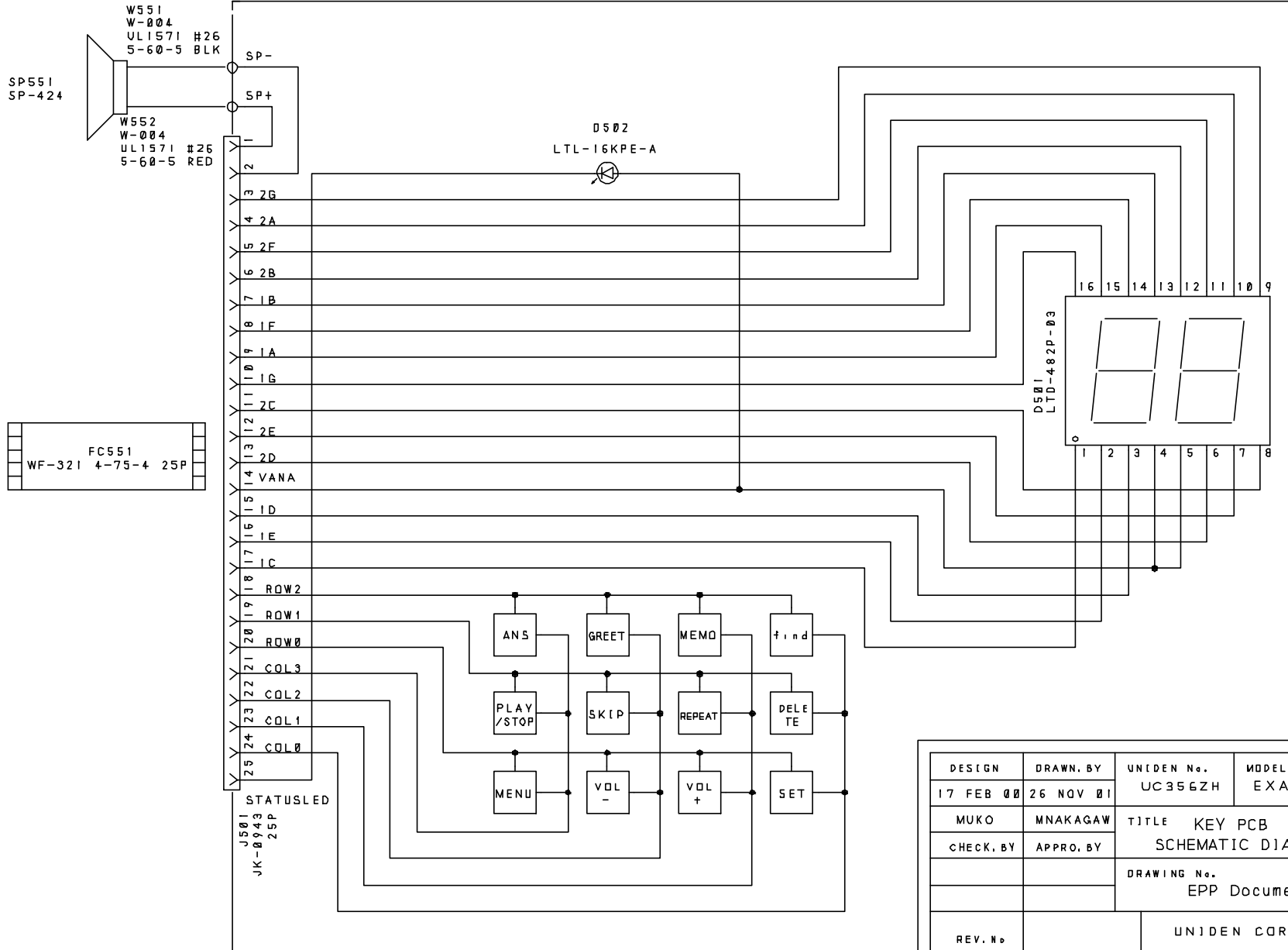


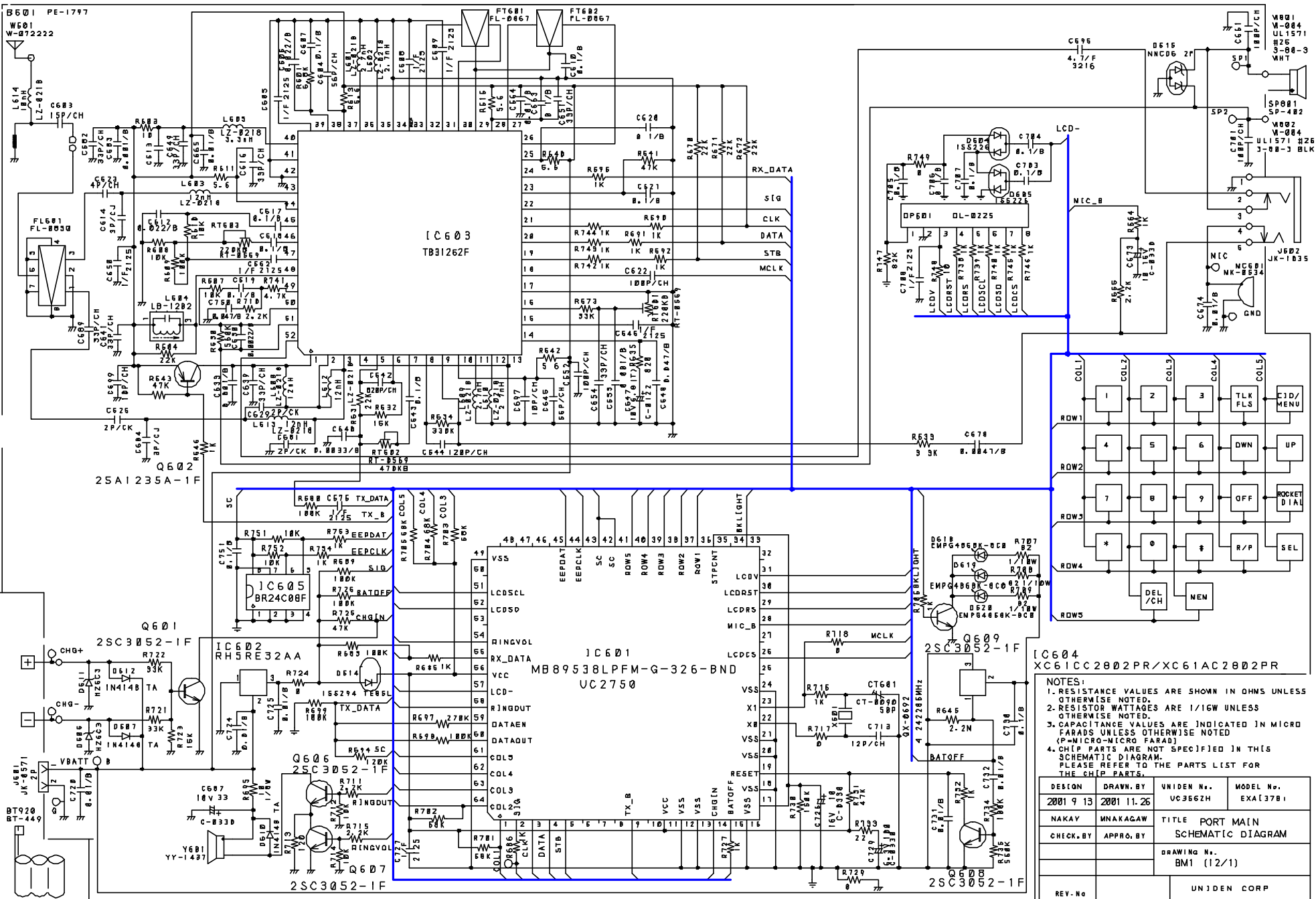
NOTES:
 1. RESISTANCE VALUES ARE SHOWN IN OHMS UNLESS OTHERWISE NOTED.
 2. CAPACITANCE VALUES ARE IN PICO-FARADS UNLESS OTHERWISE NOTED.
 3. DIMENSIONS ARE IN MILLIMETERS UNLESS OTHERWISE NOTED.
 4. DIMENSIONS ARE IN MILLIMETERS UNLESS OTHERWISE NOTED.
 5. DIMENSIONS ARE IN MILLIMETERS UNLESS OTHERWISE NOTED.
 6. DIMENSIONS ARE IN MILLIMETERS UNLESS OTHERWISE NOTED.
 7. DIMENSIONS ARE IN MILLIMETERS UNLESS OTHERWISE NOTED.
 8. DIMENSIONS ARE IN MILLIMETERS UNLESS OTHERWISE NOTED.
 9. DIMENSIONS ARE IN MILLIMETERS UNLESS OTHERWISE NOTED.
 10. DIMENSIONS ARE IN MILLIMETERS UNLESS OTHERWISE NOTED.

DESIGN	DATE	DESIGNER	MODEL No
17 MAY 88	28 DEC 81	UC3562H	EXA137E1
MFGD	KAWATSU	TITLE	MAIN PCB SCHEMATIC DIAGRAM
CHECK BY	APPROV BY	DATE	
REL. No	UNIDEN CORP.		

B501 PE-1799



DESIGN	DRAWN. BY	UNIDEN No.	MODEL No.
17 FEB 00	26 NOV 01	UC356ZH	EXA1378i
MUKO	MNAKAGAW	TITLE KEY PCB SCHEMATIC DIAGRAM	
CHECK. BY	APPRO. BY	DRAWING No. EPP Document	
REV. No.		UNIDEN CORP	



NOTES:
 1. RESISTANCE VALUES ARE SHOWN IN OHMS UNLESS OTHERWISE NOTED.
 2. RESISTOR WATTAGES ARE 1/16W UNLESS OTHERWISE NOTED.
 3. CAPACITANCE VALUES ARE INDICATED IN MICRO FARADS UNLESS OTHERWISE NOTED (P=MICRO-MICRO FARAD)
 4. CHIP PARTS ARE NOT SPECIFIED IN THIS SCHEMATIC DIAGRAM. PLEASE REFER TO THE PARTS LIST FOR THE CHIP PARTS.

DESIGN	DRAWN BY	UNIDEN No.	MODEL No.
2001 9 13	2001 11 26	UC3562H	EXA137B1
NAKAY	MNAKAGAW	TITLE PORT MAIN SCHEMATIC DIAGRAM	
CHECK BY	APPROV BY	DRAWING No. BM1 (12/1)	
REV. No	UNIDEN CORP		