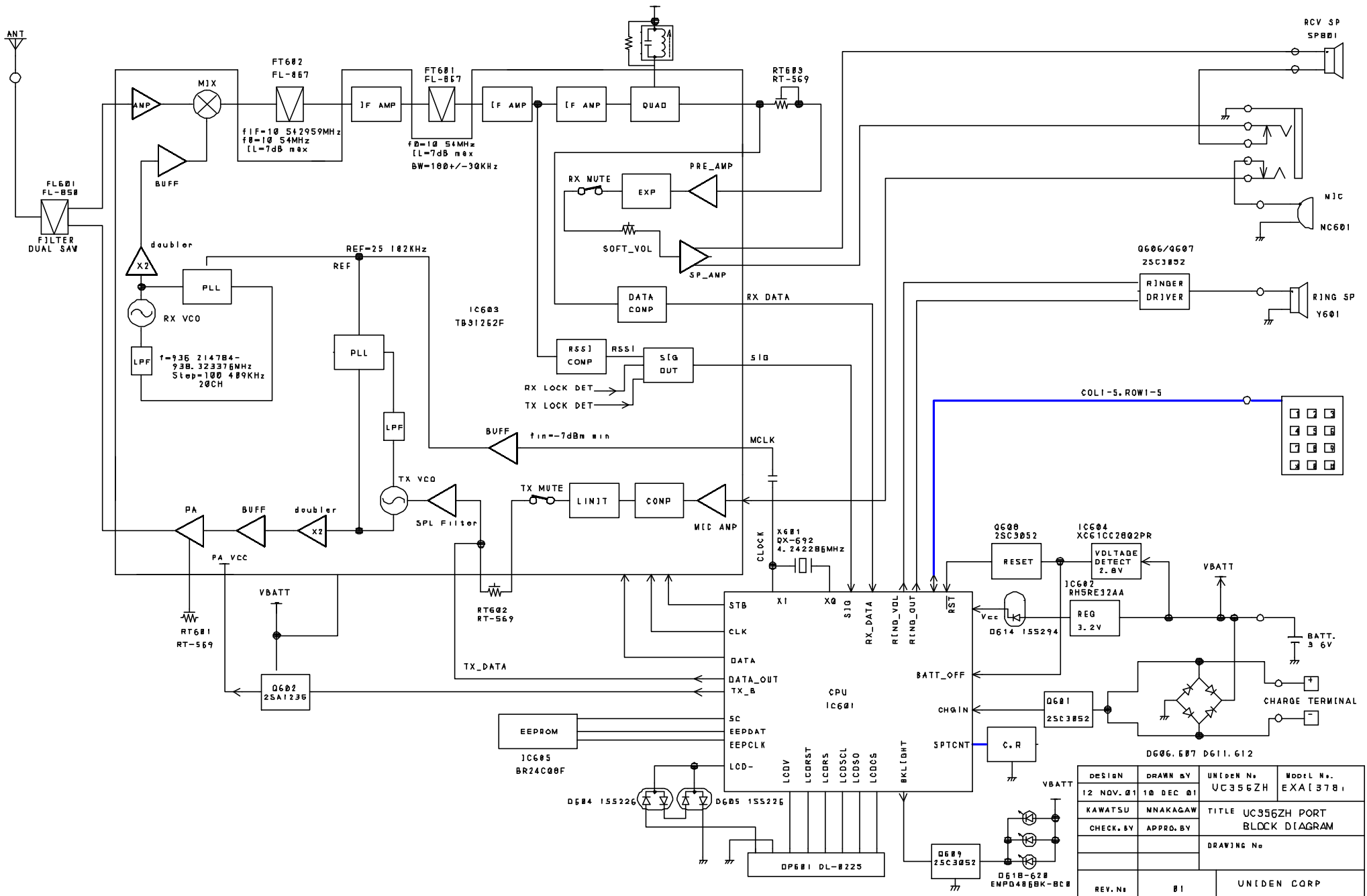


DESIGN	DRWN. BY	UNIDEN No.	MODEL No.
12 NOV 01	10 DEC 01	UC356ZH	EXA13781
KAWATSU	MNAKAGAW	TITLE	BASE BLOCK DIAGRAM
CHECK BY	APPRD BY	DRAWING No	
REV. No	UNIDEN CORP		



D606.607 D611.612

DESIGN	DRAWN BY	UNIDEN No.	MODEL No.
12 NOV. 01	10 DEC 01	UC356ZH	EXA13781
KAWATSU	MNAKAGAW	TITLE UC356ZH PORT BLOCK DIAGRAM	
CHECK. BY	APPRD. BY	DRAWING No.	
REV. No.	01	UNIDEN CORP	