



TEST REPORT

<p>KCTL Inc. 65, Sinwon-ro, Yeongtong-gu, Suwon-si, Gyeonggi-do, 16677, Korea TEL: 82-31-285-0894 FAX: 82-505-299-8311 www.kctl.co.kr</p>	<p>Report No.: KR19-SEF0038-B Page (1) of (16)</p>	
--	--	---

1. Client

- Name : Uniden America Corporation
- Address : 6225 N. State highway 161, Suite 300, Irving Texas 75038
- Date of Receipt : 2019-02-21

2. Use of Report : -

3. Name of Product and Model : RADAR DETECTOR / R7

4. Manufacturer and Country of Origin : ATTOWAVE Co., Ltd. / Korea

5. Date of Test : 2019-02-26

**6. Test method used : ANSI C63.4:2014, FCC02-211
 FCC Part 15 Subpart B, Class B**

7. FCC ID : AMWUA1901

8. Test Results : Refer to the test result in the test report

Affirmation	Tested by 	Technical Manager 
	Name : Byunghwan Min (Signature)	Name : Gunsu Park (Signature)

2019-03-18

KCTL Inc.

As a test result of the sample which was submitted from the client, this report does not guarantee the whole product quality. This test report should not be used and copied without a written agreement by KCTL Inc.

REPORT REVISION HISTORY

Date	Revision	Page No
2019-03-08	Originally issued	-
2019-03-15	Changed contact name	P.4
2019-03-18	Test items marked N/A, provide explanation	P.13

This report shall not be reproduced except in full, without the written approval of KCTL Inc. This document may be altered or revised by KCTL Inc. personnel only, and shall be noted in the revision section of the document. Any alteration of this document not carried out by KCTL Inc. will constitute fraud and shall nullify the document.



Contents

1.	Applicant information	4
2.	Laboratory information	5
3.	Test system configuration	6
	3.1 Operation environment.....	6
	3.2 Measurement Uncertainty	7
4.	Description of EUT	9
	4.1 General information.....	9
	4.2 Product description.....	10
	4.3 Auxiliary equipments	10
	4.4 Test configuration	11
	4.5 Operating conditions	12
5.	Summary of test results	13
	5.1 Summary of EMI emission test results.....	13
6.	Test results	14
	6.1 Radiated Emission	14

KCTL Inc.

65, Sinwon-ro, Yeongtong-gu,
Suwon-si, Gyeonggi-do, 16677, Korea
TEL: 82-31-285-0894 FAX: 82-505-299-8311
www.kctl.co.kr

Report No.:
KR19-SEF0038-B

Page (4) of (16)



1. Applicant information

Applicant: Uniden America Corporation
Address: 6225 N. State highway 161, Suite 300, Irving Texas 75038
Telephone: +817-858-3624
Fax: +817-858-3219
E-mail: sroby@uniden.com
Contact name: Paul Roby

Manufacturer: ATTOWAVE Co., Ltd.
Address: 129, Samsung-ro, Yeongtong-gu, Suwon-si,
Gyeonggi-do, 16677, Rep. of Korea



KCTL Inc.

65, Sinwon-ro, Yeongtong-gu,
Suwon-si, Gyeonggi-do, 16677, Korea
TEL: 82-31-285-0894 FAX: 82-505-299-8311
www.kctl.co.kr

Report No.:
KR19-SEF0038-B

Page (5) of (16)

KCTL

2. Laboratory information

Address

KCTL Inc. (Suwon Lab.)

65, Sinwon-ro, Yeongtong-gu, Suwon-si, Gyeonggi-do, 16677, Korea

Telephone Number: 82 31 285 0894

Facsimile Number: 82 505 299 8311

FCC Site Designation No: KR0040

VCCI Registration No. : R-3327, G-198, C-3706, T-1849

Industry Canada Registration No. : 8035A

KOLAS NO.: KT231

SITE MAP



3. Test system configuration

3.1 Operation environment

	Temperature	Humidity	Pressure
Chamber 10 m(RE)	22.8 °C	24.3 % R.H.	-

Test site

These testing items were performed following locations;

Test item	Test site
Conducted Emission	Shielded Room
Radiated Emission	10 m Chamber



KCTL Inc.

65, Sinwon-ro, Yeongtong-gu,
Suwon-si, Gyeonggi-do, 16677, Korea
TEL: 82-31-285-0894 FAX: 82-505-299-8311
www.kctl.co.kr

Report No.:
KR19-SEF0038-B

Page (7) of (16)



3.2 Measurement Uncertainty

All measurements involve certain levels of uncertainties, especially in field of EMC.

The factors contributing to uncertainties are test receiver, cable loss, antenna factor calibration, Antenna directivity, antenna factor variation with height, antenna phase center variation, antenna frequency interpolation, measurement distance variation, site imperfection, mismatch, and system repeatability. Based on CISPR 16-4-2, the measurement uncertainty level with a 95 % confidence level was applied.

Conducted Emission measurement (Confidence level about 95 %, $k = 2$)		
Shielded Room (CE#1)	9 kHz ~ 150 kHz: 3.66 dB	
	150 kHz ~ 30 MHz: 3.26 dB	
Shielded Room (CE#2)	9 kHz ~ 150 kHz: 3.48 dB	
	150 kHz ~ 30 MHz: 3.06 dB	
Radiated Emission measurement (Confidence level about 95 %, $k = 2$)		
10 m Chamber (4F)	30 MHz ~ 300 MHz	3 m: 5.32 dB
		10 m: 5.32 dB
	300 MHz ~ 1 000 MHz	3 m: 5.46 dB
		10 m: 5.34 dB
	1 GHz ~ 6 GHz	3 m: 6.32 dB
	6 GHz ~ 18 GHz	3 m: 6.66 dB
18 GHz ~ 40 GHz	3 m: 6.74 dB	
10 m Chamber (2F)	30 MHz ~ 300 MHz	3 m: 4.98 dB
		10 m: 4.96 dB
	300 MHz ~ 1 000 MHz	3 m: 5.14 dB
		10 m: 5.00 dB
	1 GHz ~ 6 GHz	3 m: 6.34 dB
	6 GHz ~ 18 GHz	3 m: 6.68 dB
3 m Chamber (3F)	30 MHz ~ 300 MHz	3 m: 4.90 dB
	300 MHz ~ 1 000 MHz	3 m: 5.06 dB
	1 GHz ~ 6 GHz	3 m: 6.70 dB
	6 GHz ~ 18 GHz	3 m: 6.60 dB

This test report shall not be reproduced, except in full, without the written approval.

3.3 Measurement Program

These test items were performed by software programs;

Test item	Measurement Program		Used
Conducted Emission	EP5CE_V 5.4.0(TOYO)		<input type="checkbox"/>
Radiated Emission	2F	EP5RE_V 4.6.0(TOYO)	<input checked="" type="checkbox"/>
	4F	EP5RE_V 5.11.10(TOYO)	



KCTL Inc.

65, Sinwon-ro, Yeongtong-gu,
Suwon-si, Gyeonggi-do, 16677, Korea
TEL: 82-31-285-0894 FAX: 82-505-299-8311
www.kctl.co.kr

Report No.:
KR19-SEF0038-B

Page (9) of (16)

KCTL

4. Description of EUT

4.1 General information

Radar Frequencies :

10.500 - 10.550 GHz (X Band)

23.900 - 24.250 GHz (K Band)

33.400 - 35.700 GHz (Ka Superwideband)

Laser Wavelength : 905nm +/-50nm

Operating Temperature Range : -10C to +70C

Power Requirements: Operational 12 to 15 volts DC

KCTL

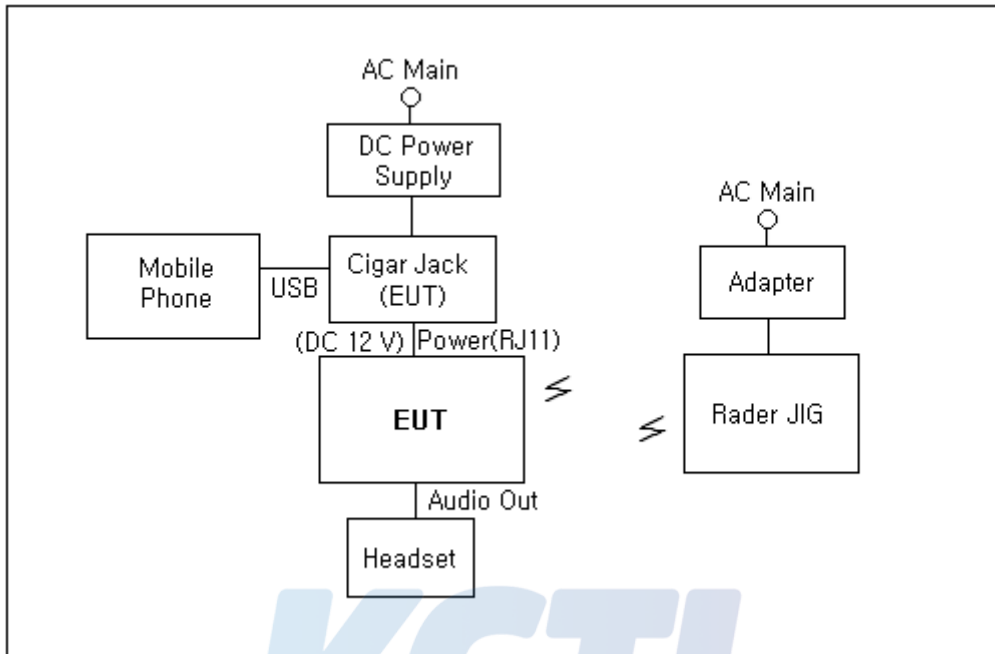
4.2 Product description

Type of product	RADAR DETECTOR
Model name (Basic)	R7
Model name (Variant)	-
Difference	-
Serial no	9A000001
Testing voltage	DC 12 V
Input rating	DC 12 V ~ DC 15 V
Internal clock frequency	22 MHz
FCC ID	AMWUA1901
Note	-The following accessory was provided by the manufacturer. 1) Cigar Jack(DFRUADP)

4.3 Auxiliary equipments

Type	Model / Part #	S/N	Manufacturer
Mobile Phone	SM-N910S/K/L	-	SAMSUNG
DC Power Supply	E3632A	KR94907353	Agilent
Headset	SHS-250V	-	SAMSUNG
Rader JIG	-	-	-
Adapter	ANY1230C-1	15A402276	Wendeng Any Electronics Co., Ltd.

4.4 Test configuration



	Start		End		Cable	
	Name	I/O port	Name	I/O port	Length (m)	Spec.
1	EUT	Power(RJ11)	Cigar Jack(EUT)	-	2.0	Unshield
2		Audio Out	Headset	-	1.5	Unshield
3	Cigar Jack (EUT)	Power	DC Power Supply	-	1.2	Unshield
4		USB	Mobile Phone	USB	1.0	Shield
5	Rader JIG	Power	Adapter	-	1.0	Unshield

4.5 Operating conditions

The EUT was configured as normal intended use.

Test Mode	Normal operating					
<p>Test #1</p>	<p>The EUT was connected as user's guide. And during the test executed EUT is operating on the following:</p> <table border="1" data-bbox="464 607 1366 813"> <tr> <td data-bbox="464 607 1366 645">Stand-by mode</td> </tr> <tr> <td data-bbox="464 645 1366 683">X Band: (10.500 – 10.550) GHz</td> </tr> <tr> <td data-bbox="464 683 1366 721">K Band: (23.900 – 24.250) GHz</td> </tr> <tr> <td data-bbox="464 721 1366 759">Ka Band(Super-wide band): (33.400 – 35.700) GHz</td> </tr> <tr> <td data-bbox="464 759 1366 813">Laser:(905 ± 50) nm</td> </tr> </table>	Stand-by mode	X Band: (10.500 – 10.550) GHz	K Band: (23.900 – 24.250) GHz	Ka Band(Super-wide band): (33.400 – 35.700) GHz	Laser:(905 ± 50) nm
Stand-by mode						
X Band: (10.500 – 10.550) GHz						
K Band: (23.900 – 24.250) GHz						
Ka Band(Super-wide band): (33.400 – 35.700) GHz						
Laser:(905 ± 50) nm						



5. Summary of test results

5.1 Summary of EMI emission test results

Applied	Test items	Test method	Result
<input type="checkbox"/>	Conducted Emission	ANSI C63.4:2014, FCC02-211 FCC Part 15 Subpart B, Class B	Note ¹⁾
<input checked="" type="checkbox"/>	Radiated Emission	ANSI C63.4:2014, FCC02-211 FCC Part 15 Subpart B, Class B	Pass

The data collected shows that EUT the complied with technical requirements of above rules part 15.109(h).

Note¹⁾: Report Number : (KR19-SEF0037-A) for AC line conducted Emissions results of the system



6. Test results

6.1 Radiated Emission

Test specification	ANSI C63.4:2014, FCC02-211 FCC Part 15 Subpart B, Class B		
Testing voltage	DC 12 V		
Test facility	10 m Chamber (4F)		
Test distance	3 m		
Date	2019-02-26		
Temperature (°C)	22.8 °C	Humidity (% R.H.)	24.3 % R.H.
Remarks	Pass		

6.1.1 Limits of radiated emission measurement

Frequency [MHz]	Class A (dB(μ V/m)) @ 10 m	Class B (dB(μ V/m)) @ 3 m
30-88	39	40
88-216	43.5	43.5
216-960	46.4	46
Above 960	49.5	54

Note- Alternative standard: CISPR, Pub. 22

6.1.2 Measurement procedure

The test was done at a 10 m chamber with a quasi-peak detector. EUT was placed on a non-metallic table height of 0.8 m above the reference ground plane. Cables were folded back and forth forming a bundle 0.3 m to 0.4 m long and were hanged at a 0.4 m height to the ground plane.

Cables connected to EUT were fixed to cause maximum emission. Test was made with the antenna positioned in both the horizontal and vertical planes of polarization. The measurement antenna was varied in height above the conducting ground plane to obtain the maximum signal strength.

6.1.3 Used equipments

Equipment	Model no.	Serial no.	Makers	Next Cal. Date	Used
EMI TEST RECEIVER	ESR7	101078	R&S	2019.08.23	<input checked="" type="checkbox"/>
Antenna Mast	MA4640-XP-ET	-	Innco Systems	-	<input checked="" type="checkbox"/>
Turn Table	TT 3.0-3t	-	MATURO	-	<input checked="" type="checkbox"/>
DOUBLE RIDGED HORN ANTENNA	3117-PA	00161083	ETS-LINDGREN	2019.09.14	<input checked="" type="checkbox"/>
Spectrum Analyzer	FSV40	100988	R&S	2020.01.04	<input checked="" type="checkbox"/>

6.1.4 Sample calculation

The field strength is calculated adding the antenna Factor, cable loss and, Antenna pad adding, subtracting the amplifier gain from the measured reading.

The sample calculation is as follow:

$$\text{Result} = \text{M.R} + \text{C.F}(\text{A.F} + \text{C.L} + 6 \text{ dB Att} - \text{A.G})$$

M.R = Meter Reading

C.F = Correction Factor

A.F = Antenna Factor

C.L = Cable Loss

A.G = Amplifier Gain

6 dB Att = 6 dB Attenuator

If M.R is 30 dB, A.F 12 dB, C.L 5 dB, 6 dB, A.G 35 dB

The result is $30 + 12 + 5 + 6 - 35 = 18 \text{ dB } (\mu\text{V/m})$

Bilog Antenna and ATTENUATOR (6 dB) were calibrated together.

AV = CAV : Abbreviation of CISPR Average

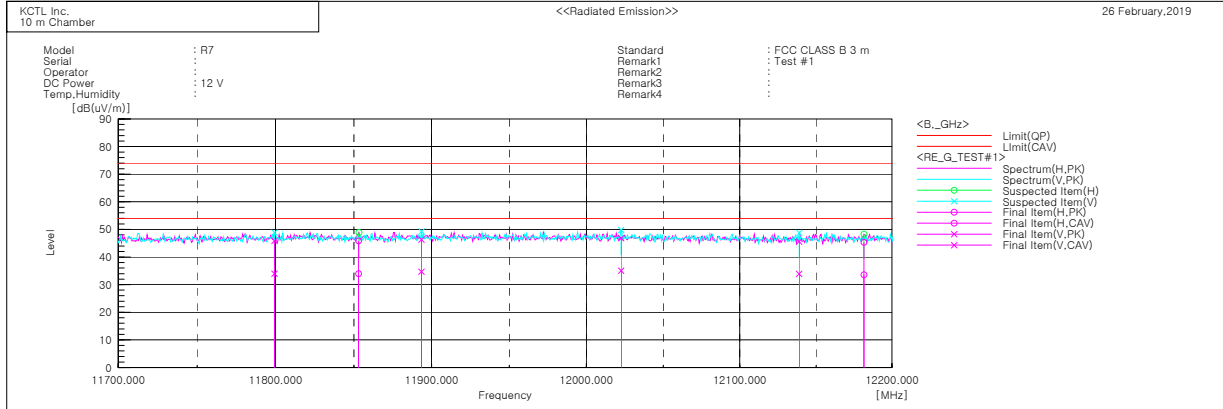
KCTL Inc.

65, Sinwon-ro, Yeongtong-gu,
Suwon-si, Gyeonggi-do, 16677, Korea
TEL: 82-31-285-0894 FAX: 82-505-299-8311
www.kctl.co.kr

Report No.:
KR19-SEF0038-B
Page (16) of (16)



6.1.4 Radiated emission measurement result 11.7 GHz ~ 12.2 GHz



Final Result

No.	Frequency [MHz]	(P)	Reading PK [dB(uV)]	Reading CAV [dB(uV)]	c.f [dB(1/m)]	Result PK [dB(uV/m)]	Result CAV [dB(uV/m)]	Limit PK [dB(uV/m)]	Limit AV [dB(uV/m)]	Margin PK [dB]	Margin CAV [dB]	Height [cm]	Angle [deg]
1	11799.220	V	44.8	32.9	1.1	45.9	34.0	74.0	54.0	28.1	20.0	171.0	344.0
2	11853.120	H	44.7	32.9	1.1	45.8	34.0	74.0	54.0	28.2	20.0	259.0	353.0
3	11893.340	V	45.2	33.6	1.1	46.3	34.7	74.0	54.0	27.7	19.3	152.0	58.0
4	12022.500	V	45.7	34.0	1.1	46.8	35.1	74.0	54.0	27.2	18.9	200.0	169.0
5	12138.900	V	44.5	32.8	1.1	45.6	33.9	74.0	54.0	28.4	20.1	128.0	55.0
6	12181.570	H	44.2	32.5	1.1	45.3	33.6	74.0	54.0	28.7	20.4	167.0	319.0

