

Family Model Declaration Letter

Reason for Amendment (current / obsolete)	Revision History		Approved Date
	From	To	
Initial Release (current)	1.0	1.0	May 13, 2016

Uniden®

Date: July 16, 2018

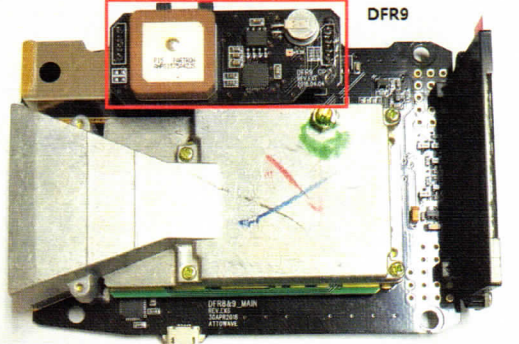
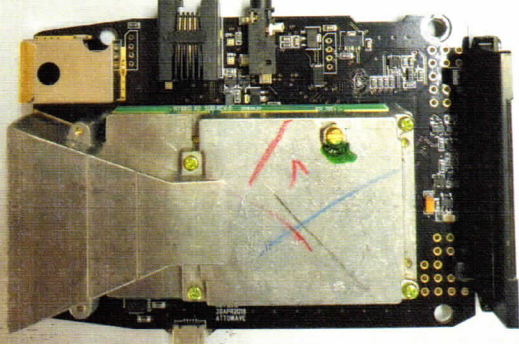
We would like to add the following family models to meet buyer's requests and improve sales strategies.

For differences and similarities with the previous model, refer to the followings.

We declare the below:

- Original applicant model: DFR9
- Add family model: DFR8
- After model: DFR9, DFR8

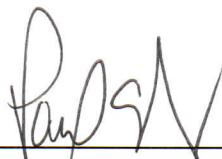
- The Differences and Similarity between models :
 The multiple models DFR8 are identical to basic model, except for model designation and GPS module.

Model name	GPS module *	Photo
DFR9 (Basic model)	O	 <p>DFR9</p>
DFR8	X	 <p>DFR8</p>

* O: Existence, X: Nonexistence

It uses the same PCB layout except GPS module PCB. Basic model tested was the worst case model.

Sincerely,

A handwritten signature in black ink, appearing to read "Paul Roby", written over a horizontal line.

Paul Roby / Manager, Regulatory and Quality Assurance

Uniden America Corporation

3001 Gateway Drive, Suite 130,
Irving Texas 75038 United States