

Electromagnetic Emission

FCC MEASUREMENT REPORT

CERTIFICATION OF COMPLIANCE FCC Part 15 Certification Measurement

PRODUCT : RADAR DETECTOR
MODEL/TYPE NO : R3 / Proto-type
FCC ID : AMWUA1702
MULTIPLE MODEL : -
BRAND NAME : **Uniden**
APPLICANT : Uniden America Corporation
3001 Gateway Drive, Suite 130,
Irving Texas 75038 United States
Attn.: Al Baum / Director of Engineering and Quality
MANUFACTURER : ATTOWAVE CO., LTD.
1005, 10F Leader's Tower, 60-15 Gasan-dong,
Gumchun-gu, Seoul, 153-801 Korea
FCC CLASSIFICATION : Unintentional Radiators
CRD - Part 15 Radar Detector
RULE PART(S) : FCC Part 15 Subpart B
TEST PROCEDURE : ANSI C63.4-2014 and FCC 02-211
TEST REPORT No. : ETLE170313.0276
DATES OF TEST : March 16, 2017
REPORT ISSUE DATE : May 08, 2017
TEST LABORATORY : ETL Inc. (FCC Designation Number: KR0022)

This RADAR DETECTOR, Model R3 has been tested in accordance with the measurement procedures specified in ANSI C63.4-2014 and FCC 02-211 at the ETL Test Laboratory and has been shown to be complied with the electromagnetic radiated emission limits specified in FCC Rule Part15 Subpart B:

I attest to the accuracy of data. All measurement herein was performed by me or was made under my supervision and is correct to the best of my knowledge and belief. I assume full responsibility for the completeness of these measurements and vouch for the qualifications of all persons taking them.

The results of testing in this report apply to the product/system which was tested only. Other similar equipment will not necessarily produce the same results due to production tolerance and measurement uncertainties.

Prepared by: 

Jeong Hwan, Pyo (Test Engineer)

May 08, 2017

Reviewed by: 

Hyung Min, Choi (Chief Engineer)

May 08, 2017

ETL Inc.

Head office: #371-51, Gasan-dong, Geumcheon-gu, Seoul, 153-803, Korea

Open site: #499-1, Sagot-ri, Seosin-myeon, Hwaseong-si, Gyeonggi-do, 445-882, Korea

Tel: 82-2-858-0786 Fax: 82-2-858-0788

The test report merely corresponds to the test sample(s).

This report shall not be reproduced, in whole or in part without the written approval of ETL Inc.

Table of Contents

FCC Measurement Report

- 1. Introduction**
- 2. Product Information**
- 3. Description of Tests**
- 4. Test Condition**
- 5. Test Results**
 - 5.1 Summary of Test Results**
 - 5.2 Radiated Emissions Measurement**
- 6. Sample Calculation**
- 7. List of test Equipment used for Measurement**

- Appendix A. FCC ID Label and Location**
- Appendix B. Test Setup Photographs**
- Appendix C. External Photographs**
- Appendix D. Internal Photographs**
- Appendix E. Block Diagram**
- Appendix F. Operating Description**
- Appendix G. User Manual**
- Appendix H. Circuit Diagram**

FCC MEASUREMENT REPORT

Scope – Measurement and determination of electromagnetic emission(EME) of radio frequency devices including intentional radiators and/or unintentional radiators for compliance with the technical rules and regulations of the U.S Federal Communications Commission(FCC)

General Information

Applicant Name : Uniden America Corporation

**Address : 3001 Gateway Drive, Suite 130,
Irving Texas 75038 United States**

Attention : Al Baum / Director of Engineering and Quality

- **EUT Type :** RADAR DETECTOR
- **Model Number :** R3
- **FCC ID :** AMWUA1702
- **S/N :** Proto-type
- **Rule Part(s) :** FCC Part 15 Subpart B
- **Test Procedure :** ANSI C63.4-2014 and FCC 02-211
- **FCC Classification :** Unintentional Radiators
CRD - Part 15 Radar Detector
- **Dates of Tests :** March 16, 2017
- **Environmental of Tests:** Temperature: (9.4 ± 0.2) °C
Humidity: (44 ± 3) % R.H.
Atmospheric Pressure: (102.0 ± 0.0) kPa
- **Place of Tests :** ETL Inc. Testing Lab. (FCC Designation Number : KR0022)

Radiated Emission test 1;
#499-1, Sagot-ri, Seosin-myeon, Hwaseong-si,
Gyeonggi-do, 445-882, Korea

Radiated Emission test 2 and Conducted Emission test;
#371-51, Gasan-dong, Geumcheon-gu, Seoul, 153-803, Korea
- **Test Report No. :** ETLE170313.0276

1. INTRODUCTION

The measurement tests for radiated and conducted emission test were conducted at the ETL Inc. The site is constructed in conformance with the requirements of the ANSI C63.4-2014 and CISPR Publication 16. The ETL has site descriptions on file with the FCC for 3 m and 10 m site configurations. Detailed description of test facility was found to be in compliance with FCC Rules according to the ANSI C63.4-2014 and registered to the Federal Communications Commission (FCC Designation Number : KR0022).

The measurement procedure described in American National Standard for Method of Measurement of Radio-Noise Emission from Low-Voltage Electrical and Electronic Equipment in the Range of 9 kHz to 40 GHz (ANSI C63.4-2014) was used in determining radiated and conducted emissions from the Uniden America Corporation, Model: R3.

2. PRODUCT INFORMATION

2.1 Equipment Description

The Equipment Under Test (EUT) is the RADAR DETECTOR (model: R3).

The model R3 is basic model that was tested.

2.2 General Specification

Receiver Type	
Radar	Double Conversion Super-heterodyne Self-Contained Antenna
Laser	Pulse Laser Signal Receiver
Frequency	
X Band	10.525 GHz
K Band	24.150 GHz
Ka Band (Super-wide)	(34.700 ± 1.300) GHz
Laser	(950 ± 150) nm
Detector Type	
Radar	Scanning Frequency Discriminator
Laser	Pulse Width Discriminator
Alarm Type	Beep (Detected Band and Signal strength)
Antenna Type	
Radar	Linear Polarized E-vector Vertical
Laser Front	Convex Condenser Lens
Laser Back	Concave Condenser Lens
General	
Dimensions	110.0 mm (D) x 69.0 mm (W) x 29.5 mm (H)
Weight	6.0 oz (170 g)
Operating Temperature	(90.5 ± 94.5) °F (Radar/Laser) (32.5 ± 52.5) °C (Radar/Laser)
Storage Temperature	(90.5 ± 112.5) °F (Radar/Laser) (32.5 ± 62.5) °C (Radar/Laser)
Operating Power Source	(13.5 ± 2.5) V DC
High Internal Frequency	X-tal → 27 MHz

3. DESCRIPTION OF TESTS

The tests documented in this report were performed in accordance with ANSI C63.4-2014, FCC 02-211 and FCC CFR 47 15.109.

3.1 Radiated Emission Measurement

Radiated emission measurements were made in accordance with section 12, "Measurement of unintentional radiators other than ITE" of ANSI C63.4-2014 and FCC 02-211. The measurements were performed over the frequency range of 11.7 GHz to 12.2 GHz using antenna as the input transducer to a spectrum analyzer. The measurements were made with the detector set for "Peak" within a bandwidth of 1 MHz.

Preliminary measurements were made at 3 m using broadband antennas, and spectrum analyzer to determine the frequency producing the maximum emission in shielded room. Appropriate precaution was taken to ensure that all emission from the EUT were maximized and investigated. The system configuration, mode of operation, turntable azimuth and height with respect to the antenna were noted for each frequency found. The spectrum was scanned from Above 1 GHz; linearly polarized double ridge horn antennas were used. Final measurements were made open site at 3 m. A search was made of spectrum from 11.7 GHz to 12.2 GHz the measurements indicate that the unit meets the FCC requirements. Measurements in the 11.7 GHz to 12.2 GHz band were made with a Standard Gain Horn. The measurements in the 11.7 GHz to 12.2 GHz band represent the ambient noise levels. The attached plots were made with peak detector with the analyzer in a maximum hold for 2 minutes. The test equipment was laced on a wooden turn-table. Sufficient time for the EUT, support equipment, and test equipment was allowed in order for them to warm up to their normal operating condition. Each frequency found during pre-scan measurements was re-examined by manual. The detector function was set to CISPR Quasi-peak mode and the bandwidth of the receiver was set to 120 kHz or 1 MHz depending on the frequency of type of signal. The EUT, support equipment and interconnecting cables were re-configured to the set-up producing the maximum emission for the frequency and were placed on top of a 0.8 m high nonmetallic 1.0 m x 1.5 m table. The EUT, support equipment, and interconnecting cables were re-arranged and manipulated to maximize each emission. The turntable containing the system was rotated; the antenna height was varied 1 m to 4 m and stopped at the azimuth or height producing the maximum emission. Each emission was maximized by: varying the mode of operation to the EUT and/or support equipment and changing the polarity of the antenna, whichever determined the worst-case emission.

Photographs of the worst-case emission can be seen in Photographs of the worst-case emission test setup can be seen in Appendix B.

4. TEST CONDITION

4.1 Test Configuration

The device was configured for testing in a typical fashion (as a customer would normally use it). During the tests, the EUT and the supported equipments were installed to meet FCC requirement and operated in a manner and which tends to maximize its emission level in a typical application.

4.2 EUT operation

- The EUT was connected as user's guide. And during the test executed EUT is operating on the following:

Operating Mode
Stand-by mode
X Band: 10.525 GHz
K Band: 24.150 GHz
Ka Band (Super-wide band): (34.700 ± 1.300) GHz
Laser: (950 ± 150) nm

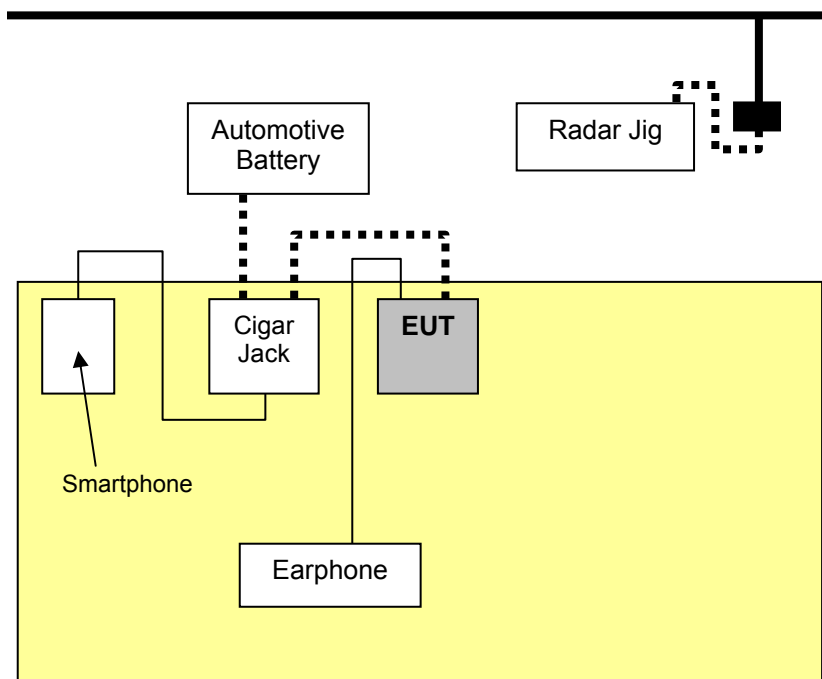
4.3 Support Equipment Used

Description	Model Name	Serial No.	Manufacturer	FCC
Cigar Jack (for EUT)	DFRUADP	NONE	NONE	-
Smartphone	SM-N920S	NONE	Samsung Electronics Co., Ltd.	-
Radar Jig	NONE	NONE	NONE	-
Adapter for Radar Jig)	NONE	NONE	NONE	-
Earphone	NONE	NONE	NONE	-
Automotive Battery	NONE	NONE	NONE	-

4.4 Type of Cables Used

Device from	Device to	Type of I/O port	Length[m]	Type of shield	Used ferrite core
EUT	Earphone	Audio	1.2	Unshielded	X
EUT	Cigar Jack	DC Input	1.5	Unshielded	X
Cigar Jack	Smartphone	USB	1.2	Unshielded	X
Cigar Jack	Cigar Jack socket	DC Input	-	-	-
Automotive Battery	Cigar Jack socket	DC Output	0.8	Unshielded	X
Radar Jig	Adapter	DC Input	1.0	Unshielded	X

4.5 The setup drawing(s)



- : Data Line
- : AC Power Line
- : DC Power Line
- : Adapter

5. TEST RESULTS

5.1 Summary of Test Results

The measurement results were obtained with the EUT tested in the conditions described in this report. Detailed measurement data and plots showing the maximum emission of the EUT are reported.

FCC Rule	Measurement Required	Result
15.109(h)	Radiated Emission Measurement	Passed by 5.38 dB

The data collected shows that the **Uniden America Corporation / RADAR DETECTOR / R3** complied with technical requirements of above rules part 15.109(h).

The equipment is not modified anything, mechanical or circuits to improve EMI status during a measurement. No EMI suppression device(s) was added and/or modified during testing.

5.2 Radiated Emissions Measurement

5.2.1 Radiated Emissions Data

EUT	RADAR DETECTOR / R3 (S/N: Proto-type)
Limit apply to	FCC Part 15.109(h) and FCC 02-211
Test Date	March 16, 2017
Environmental of test	(9.4 ± 0.2) °C, (44 ± 3) % R.H., (102.0 ± 0.0) kPa
Operating Condition	Operating on the following Bands (X, K, Ka, Laser bands)
Result	Passed by 5.38 dB

Radiated Emission Test Data

The following data and graph shows the highest levels of radiated emissions on both polarizations of horizontal and vertical.

Detector mode: CISPR Peak mode, Average mode

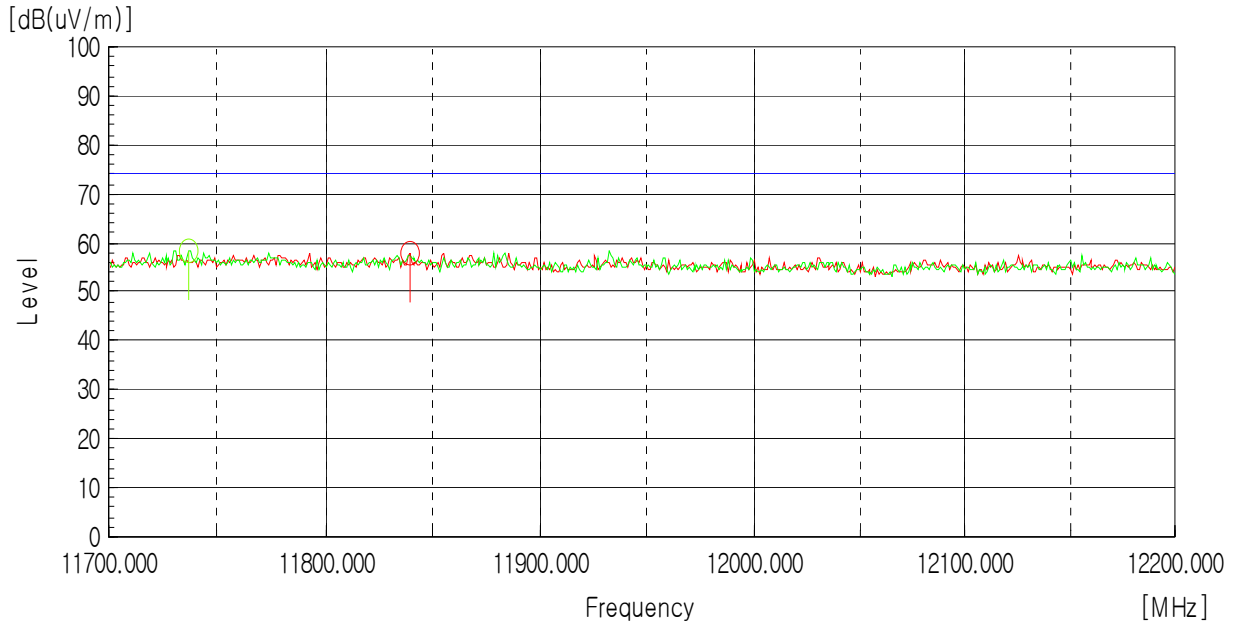
Frequency [MHz]	Reading [dB(μV)]		Polarity (*H/**V)	Height [cm]	Ant. Factor [dB/m]	Cable Loss [dB]	Result [dB(μV/m)]		Limit [dB(μV/m)]		Margin [dB]	
	Peak	Average					Peak	Average	Peak	Average	Peak	Average
11 737.03	49.19	-	V	100	39.60	-27.22	61.57	-	74.00	54.00	12.43	-
11 741.24	-	35.12	H	100	39.60	-26.57	-	48.15	74.00	54.00	-	5.85
11 773.23	-	35.61	V	100	39.54	-26.53	-	48.62	74.00	54.00	-	5.38
11 838.88	47.20	-	H	100	39.42	-26.45	60.17	-	74.00	54.00	13.83	-

NOTES:

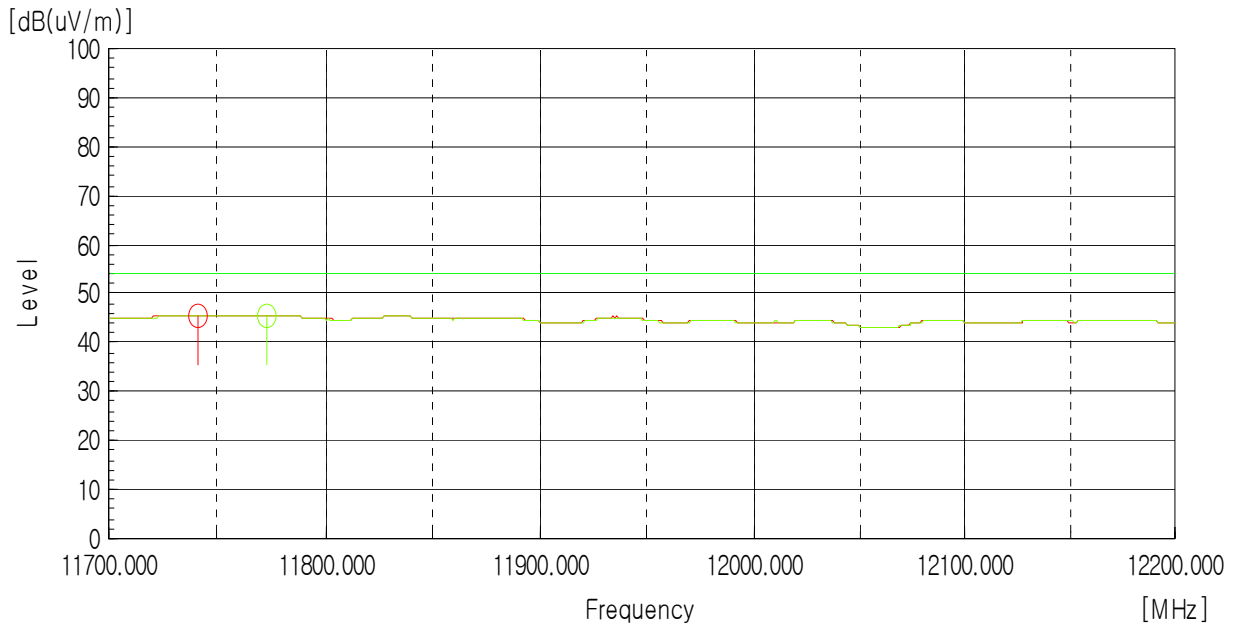
- * H : Horizontal polarization , ** V : Vertical polarization
- The cable loss value was included the Amp. Gain.
- Result = Reading + Antenna factor + Cable loss
- Margin value = Limit – Result
- The measurement was performed for the frequency range 11.7 GHz ~ 12.2 GHz according to the FCC Part 15.109(h) and FCC 02-211.

Polarization: Peak

— : PK Limit
 — : AV Limit



Polarization: Average



Horizontal  Vertical 

6. SAMPLE CALCULATION

Sample Field Strength Calculation

The field strength is calculated by adding the Antenna Factor and Cable Factor and Minus AMP. The basic equation with a sample calculation is as follows:

$$FS = RA + AF + CF - PA$$

Where FS = Field Strength

RA = Receiver Amplitude

AF = Antenna Factor

CF = Cable Attenuation Factor

PA* = Preamplifier Factor

* PA is only be used for the measuring frequency above 1 GHz.

$$dB(\mu V) = 20 \log_{10} (\mu V) : \text{Equation}$$

$$dB(\mu V) = dBm + 107$$

Example : @ 11 773.23 MHz

AV Limit	=	54.00 dB(μ V/m)
Reading	=	35.61 dB(μ V)
Antenna Factor + (Cable Loss - Amp. Gain)	=	39.54 + (-26.53) = 13.01 dB(μ V/m)
Total	=	48.62 dB(μ V/m)
Margin	=	54.00 - 48.62 = 5.38 dB
	=	5.38 dB below Limit

7. List of test equipments used for measurements

	Test Equipment	Model	Mfg.	Serial No.	Cal. Date	Cal. Due Date
<input checked="" type="checkbox"/>	Horn Antenna	BBHA 9120D	Schwarzbeck	277	16.10.12	18.10.12
<input checked="" type="checkbox"/>	PSA Series Spectrum Analyzer	E4440A	Agilent	US40420382	16.09.05	17.09.05
<input checked="" type="checkbox"/>	Amplifier	TK-PA18	TESTEK.	120020	16.09.01	17.09.01
<input checked="" type="checkbox"/>	Turn-Table	TT 1.35 SI	SES	-	N/A	N/A
<input checked="" type="checkbox"/>	Antenna Master	AM 4.5	SES	-	N/A	N/A