



Valued Quality. Delivered.

Uniden America Corporation

Application
For
FCC Part 95 - Certification

462MHz FRS/GMRS Walkie-talkie

(FCC ID: AMWSX237)

16121141HKG-001

MN/ sl

March 28, 2017

- Intertek's standard Terms and Conditions can be obtained at our website: <http://www.intertek.com/terms/>.
- The test report only allows to be revised within the retention period unless further standard or the requirement was noticed.
- This report is for the exclusive use of Intertek's Client and is provided pursuant to the agreement between Intertek and its Client. Intertek's responsibility and liability are limited to the terms and conditions of the agreement. Intertek assumes no liability to any party, other than to the Client in accordance with the agreement, for any loss, expense or damage occasioned by the use of this report. Only the Client is authorized to permit copying or distribution of this report and then only in its entirety. Any use of the Intertek name or one of its marks for the sale or advertisement of the tested material, product or service must first be approved in writing by Intertek. The observations and test results in this report are relevant only to the sample tested. This report by itself does not imply that the material, product, or service is or has ever been under an Intertek certification program.
- © 2016 Intertek

Intertek Testing Services Hong Kong Ltd.

2/F., Garment Centre, 576 Castle Peak Road, Kowloon, Hong Kong.
Tel: (852) 2173 8888 Fax: (852) 2785 5487 Website: www.hk.intertek-etlsemko.com

INTERTEK TESTING SERVICES

MEASUREMENT/TECHNICAL REPORT

Applicant : Uniden America Corporation
Trade Name/Model No : Uniden / SX237-2CK
SX237, SX237-2C, SX237-3CK
Date : March 28, 2017

This report concerns (check one:) Original Grant Class II Change

Equipment Type: FRF – Part 95 Family Radio Face Held Transmitter

Deferred grant requested per 47 CFR 0.457(d)(1)(ii)? Yes No
If yes, defer until: _____
date

Company Name agrees to notify the Commission by: _____
date

of the intended date of announcement of the product so that the grant can be issued on that date.

Report prepared by: Nip Ming Fung, Melvin
Intertek Testing Services Hong Kong Ltd.
2/F., Garment Centre,
576 Castle Peak Road,
Kowloon, Hong Kong.
Phone: 852-2173-8535
Fax: 852-2741-1693

INTERTEK TESTING SERVICES

Table of Contents

1.0 General Description	4
1.1 Product Description	4
1.2 Related Submittal(s) Grants	5
1.3 Test Methodology	5
1.4 Test Facility	5
2.0 System Test Configuration	7
2.1 Justification	7
2.2 EUT Exercising Software	8
2.3 Special Accessories	8
2.4 Measurement Uncertainty	8
2.5 Equipment Modification	8
2.6 Support Equipment	8
3.0 RF Power Output (Section 2.1046(a), 95.639(d))	11
4.0 Modulation Characteristics (Section 2.1047(a)(b), 95.637(a))	15
4.1 Modulation Frequency Response	16
4.2 Modulation Limiting Characteristics	19
4.3 Audio Low Pass Filter Response	22
5.0 Occupied Bandwidth (Section 95.633(c))	26
6.0 Spurious Emission	30
6.1 Power of Spurious Radiation (Section 2.1053, 95.635(b))	31
7.0 Frequency Stability (Section 2.1055(a)(b)(d), 95.621(b), 95.626(b))	40
7.1 Frequency Tolerance	41
7.2 Temperature Extreme Condition	43
7.3 Voltage Extreme Condition	45
8.0 Equipment List	48

INTERTEK TESTING SERVICES

EXHIBIT 1

GENERAL DESCRIPTION

INTERTEK TESTING SERVICES

1.0 General Description

1.1 Product Description

The Equipment Under Test (EUT) is a Two Ways Radio with GMRS and FRS. GMRS and FRS operate between 462.5500MHz and 467.7125MHz. The Channel 1 - 7 are shared channels for GMRS and FRS. Channel 4 is the representable channel to the test.

The EUT is powered by 4.5V (3 x 1.5VDC AA size alkaline batteries) or 3.6V (3 x 1.2 AA rechargeable Ni-MH batteries).

Transmitter Portion

- (i) Type of Emission with filtering : GMRS: 5K64F3E with filtering; FRS: 5K44F3E
- (ii) Frequency Range : GMRS/FRS: 462.5625MHz to 462.7125MHz
FRS: 467.5625MHz to 467.7125MHz
GMRS: 462.5500MHz to 462.7250MHz
Channel 1,2,3,4,5,6&7 are common channels for GMRS&FRS
- (iii) Maximum Power Rating : GMRS: 0.88W ERP; FRS: 0.49W ERP
- (iv) Antenna Type : Integral, vertically polarized with 2.17dBi antenna gain
- (v) dc voltage of radio frequency amplifying device: 4.5V
dc current of radio frequency amplifying device : 420mA

The Model: SX237, SX237-2C and SX237-3CK are the same as the Model: SX237-2CK in electrical designs, including software & firmware, PCB layout, Construction design/ Physical design/Enclosure. The only differences between these models are model number to be sold for marketing purpose. Suffix "2C, 2CK, 3CK" represents package configuration.

Channel	Frequency	Description	Channel	Frequency	Description
1	462.5625 MHz	GMRS/FRS	12	467.6625 MHz	FRS
2	462.5875 MHz	GMRS/FRS	13	467.6875 MHz	FRS
3	462.6125 MHz	GMRS/FRS	14	467.7125 MHz	FRS
4	462.6375 MHz	GMRS/FRS	15	462.5500 MHz	GMRS
5	462.6625 MHz	GMRS/FRS	16	462.5750 MHz	GMRS
6	462.6875 MHz	GMRS/FRS	17	462.6000 MHz	GMRS
7	462.7125 MHz	GMRS/FRS	18	462.6250 MHz	GMRS
8	467.5625 MHz	FRS	19	462.6500 MHz	GMRS
9	467.5875 MHz	FRS	20	462.6750 MHz	GMRS
10	467.6125 MHz	FRS	21	462.7000 MHz	GMRS
11	467.6375 MHz	FRS	22	462.7250 MHz	GMRS

INTERTEK TESTING SERVICES

1.2 Related Submittal(s) Grants

This is an Application for Certification of the transmitter portion of a GMRS + FRS Transceiver. The receiver section of this Transceiver and digital device portion is subject to verification process.

1.3 Test Methodology

Both AC mains line-conducted and radiated emission measurements were performed according to the procedures in ANSI C63.4 (2014) and ANSI/TIA-603-C-2004. Conducted emission measurement were performed according to the procedures in ANSI C63.4 (2014). All radiated measurement were performed in 3m Chamber. All Radiated tests were performed at an antenna the EUT distance of 3 meters, unless stated otherwise in the “**Justification Section**” of this Application.

1.4 Test Facility

The 3m Chamber (FCC Site registration number : 435539) and conducted measurement facility used to collect the radiated data is located at Workshop No. 3, G/F., World-Wide Industrial Centre, 43-47 Shan Mei Street, Fo Tan, Sha Tin, N.T., Hong Kong. This test facility and site measurement data have been placed on file with the FCC.

INTERTEK TESTING SERVICES

EXHIBIT 2

SYSTEM TEST CONFIGURATION

INTERTEK TESTING SERVICES

2.0 **System Test Configuration**

2.1 Justification

The device was configured for testing in a typical fashion (as a customer would normally use it). The device was placed on a turntable, which enabled the engineer to maximize emissions through its placement in the three orthogonal axes. The device has been tested with headset and without headset when the radiated emissions are measured.

The device was powered by 4.5V (3 x 1.5VDC AA size alkaline batteries) or 3.6V (3 x 1.2 AA rechargeable Ni-MH batteries).

The frequency range of transmitter from 30MHz to 10th harmonics was searched for spurious emissions from the device. The frequency range of weather band receiver from 30MHz to 2GHz was searched for spurious emissions from the device. Only those emissions reported were detected. All other emissions were at least 20 dB below the applicable limits.

For transmitter radiated spurious measurement, the spectrum analyzer resolution bandwidth was 10kHz for emissions below 1GHz, and 1MHz for emissions above 1GHz. Video bandwidth was 300kHz for emissions below 1GHz, and 3MHz for emissions above 1GHz. For receiver radiated spurious measurement, the spectrum analyzer resolution bandwidth was 100kHz for emission below 1GHz, and 1MHz for emissions above 1GHz. Video bandwidth was 3 times greater than resolution bandwidth.

All power-up methods were tested and the worst-case data were reported.

The following are all the test modes (only the worst-case was reported):

GMRS, Tx without headset

GMRS, Tx with headset

FRS (same as the all above cases)

INTERTEK TESTING SERVICES

2.2 EUT Exercising Software

There was no special software to exercise the device. Once the PTT button was pushed, a signal was transmitted.

2.3 Special Accessories

No special accessory is needed for compliance of this device.

2.4 Measurement Uncertainty

When determining of the test conclusion, the Measurement Uncertainty of test has been considered. The values of the Measurement uncertainty for radiated emission test, AC line conducted emission test and RF conducted measurement test are $\pm 5.3\text{dB}$, $\pm 4.2\text{dB}$ and $\pm 1\text{dB}$ respectively.

Uncertainty and Compliance - Unless the standard specifically states that measured values are to be extended by the measurement uncertainty in determining compliance, all compliance determinations are based on the actual measured value.

2.5 Equipment Modification

No modifications by Uniden America Corporation will be incorporated in each production model sold/leased in the United States.

2.6 Support Equipment

A headset with 1.2m unshielded cable.

INTERTEK TESTING SERVICES

The EUT has been tested in accordance with the standards identified in this test report. To the best of my knowledge and belief, these tests were performed using the measurement procedures described in this report. All instrumentations and accessories used to verify the EUT for compliance to the indicated standards are calibrated in accordance with ISO 17025:2005 requirements.

Testing was performed at Intertek Testing Services Hong Kong Ltd. Where meets the FCC listed site for certification application requirements stated in FCC Part 2 Section 2.948.

I attest that the necessary measurements were made under my supervision.

Attested by


*Intertek Testing Services Hong Kong Ltd.
Agent for Uniden America Corporation*

Tested and Prepared by:

 Digitally signed
by Koo Wai Ip
Location: Intertek
Testing Services
Hong Kong Ltd.

*Koo Wai Ip
Technical Supervisor*

Approved by:

 Digitally signed by
Nip Ming Fung,
Melvin
Location: Intertek
Testing Services
Hong Kong Limited

*Nip Ming Fung, Melvin
Manager
Email:melvin.mf.nip@intertek.com*

March 28, 2017 Date

EXHIBIT 3

RF POWER OUTPUT

INTERTEK TESTING SERVICES

3.0 RF Power Output (Section 2.1046(a), 95.639(a), 95.639(d))

Testing Procedure

1. On a test site, the EUT shall be placed at 0.8m height on a wooden turntable, and in the position closest to normal use as declared by the applicant.
2. The test antenna shall be oriented initially for vertical polarisation located 3m from EUT to correspond to the frequency of the transmitter.
3. The output of the test antenna shall be connected to the measuring receiver and the peak detector is used for the measurement.
4. The transmitter shall be switched on, if possible, without modulation and the measuring receiver shall be tuned to the frequency of the transmitter under test.
5. The test antenna shall be raised and lowered through the specified range of height until a maximum signal level is detected by the measuring receiver.

INTERTEK TESTING SERVICES

6. The transmitter shall then be rotated through 360° in the horizontal plane, until the maximum signal level is detected by the measuring receiver.
7. The test antenna shall be raised and lowered again through the specified range of height until a maximum signal level is detected by the measuring receiver.
8. The maximum signal level detected by the measuring receiver shall be noted.
9. The transmitter shall be replaced by a tuned dipole (substitution antenna).
10. The substitution antenna shall be orientated for vertical polarisation and the length of the substitution antenna shall be adjusted to correspond to the frequency of the transmitter.
11. The substitution antenna shall be connected to a calibrated signal generator.
12. If necessary, the input attenuator setting of the measuring receiver shall be adjusted in order to increase the sensitivity of the measuring receiver.
13. The test antenna shall be raised and lowered through the specified range of height to ensure that the maximum signal is received.
14. The input signal to the substitution antenna shall be adjusted to the level that produces a level detected by the measuring receiver, that is equal to the level noted while the transmitter radiated power was measured, corrected for the change of input attenuator setting of the measuring receiver.
15. The input level to the substitution antenna shall be recorded as power level in dBm, corrected for any change of input attenuator setting of the measuring receiver.
16. The measurement shall be repeated with the test antenna and the substitution antenna orientated for horizontal polarisation.
17. The measure of the effective radiated power is the larger of the two levels recorded, at the input to the substitution antenna, corrected for gain of the substitution antenna if necessary.

INTERTEK TESTING SERVICES

Table 1

**Uniden America Corporation
SX237-2CK**

Transmission Power

Channel	Frequency (MHz)	Effective Radiated Power		FCC 95.639 Limit (W)	Margin (W)
		(dBm)	(W)		
1	462.5625	29.4	0.88	5.00	-4.12
2	462.5875	29.4	0.88	5.00	-4.12
3	462.6125	29.4	0.88	5.00	-4.12
4	462.6375	29.4	0.88	5.00	-4.12
5	462.6625	29.4	0.88	5.00	-4.12
6	462.6875	29.4	0.88	5.00	-4.12
7	462.7125	29.4	0.88	5.00	-4.12
8	467.5625	26.9	0.49	0.50	-0.01
9	467.5875	26.9	0.49	0.50	-0.01
10	467.6125	26.9	0.49	0.50	-0.01
11	467.6375	26.9	0.49	0.50	-0.01
12	467.6625	26.9	0.49	0.50	-0.01
13	467.6875	26.9	0.49	0.50	-0.01
14	467.7125	26.9	0.49	0.50	-0.01
15	462.5500	29.4	0.88	5.00	-4.12
16	462.5750	29.4	0.88	5.00	-4.12
17	462.6000	29.4	0.88	5.00	-4.12
18	462.6250	29.4	0.88	5.00	-4.12
19	462.6500	29.4	0.88	5.00	-4.12
20	462.6750	29.4	0.88	5.00	-4.12
21	462.7000	29.4	0.88	5.00	-4.12
22	462.7250	29.4	0.88	5.00	-4.12

- Notes: 1) Negative sign in the margin column shows the value below limits.
2) Channel 1 - 7 are the shared channels for GMRS and FRS, data shown above is for GMRS. FRS data of Channel 1-7 are same as Channel 8-14.
3) FRS channels meet the power requirement of 0.5W ERP.

Verdict: Pass

Test Engineer: Koo Wai Ip

Date of Test: March 03, 2017

INTERTEK TESTING SERVICES

EXHIBIT 4

MODULATION CHARACTERISTICS

INTERTEK TESTING SERVICES

4.0 **Modulation Characteristics (Section 2.1047(a)(b), 95.637(a))**

In order to satisfy the 95.637(a) and 2.1047(b) requirements, Modulation Frequency Response and Modulation Limiting Characteristics are attached in Exhibit 4.1 & 4.2.

In order to satisfy the 2.1047(a) requirement, Audio Low Pass Filter Response is attached in Exhibit 4.3.

The modulation frequency response curve and modulation limiting characteristic curve are saving in following page.

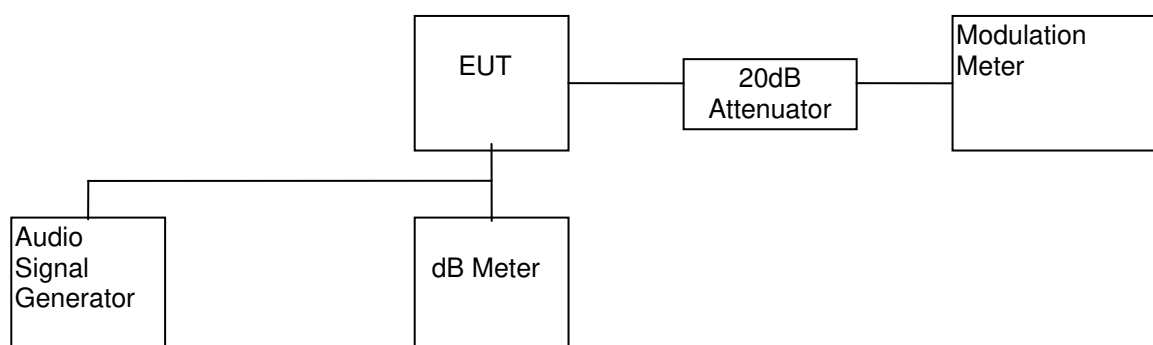
The audio low pass frequency response curve is saving in following page.

INTERTEK TESTING SERVICES

4.1 Modulation Frequency Response (Section 2.1047(a), 95.637(a))

Testing Procedure

- 1) Set-up the test equipment in the following configuration:



- 2) Set the audio signal generator frequency to the sound pressure level 127.0dB SPL at the microphone of the EUT.
- 3) The frequency of the audio signal generator is changed from 100Hz to 5kHz.
- 4) Record the frequency deviation.
- 5) The peak frequency deviation must not exceed:

GMRS + FRS : $\pm 2.5\text{kHz}$

- 6) Calculate the audio frequency response at each frequency as:

$$\text{response} = 20 \log_{10}(\text{DEV}_{\text{FREQ}} / \text{DEV}_{\text{REF}});$$

DEV_{REF} = Frequency deviation at 1000Hz ;

DEV_{FREQ} = Frequency deviation at 100 - 5000Hz ;

- 7) From the plot, audio frequency response rolls off before 3.125kHz.

INTERTEK TESTING SERVICES

C. Test Result

Table 2

**Uniden America Corporation
SX237-2CK**

Modulation Frequency Response

Test Channel : 4
Input level = 127.0dBSPL

Modulation Frequency(Hz)	Frequency Deviation(kHz)	Audio Frequency Response (dB)
100	0.116	-22.85
200	0.571	-9.01
300	0.198	-18.21
400	0.931	-4.76
500	1.861	1.25
600	1.901	1.44
700	1.888	1.38
800	1.855	1.22
900	1.808	1.00
1000	1.611	0.00
1250	2.108	2.34
1500	2.003	1.89
1750	2.050	2.09
2000	1.308	-1.81
2250	1.201	-2.55
2500	1.184	-2.67
2750	1.114	-3.20
3000	1.683	0.38
3125	0.932	-4.75
3250	1.136	-3.03
3500	0.041	-31.89
4000	0.040	-32.10
5000	0.036	-33.02

Verdict: Pass

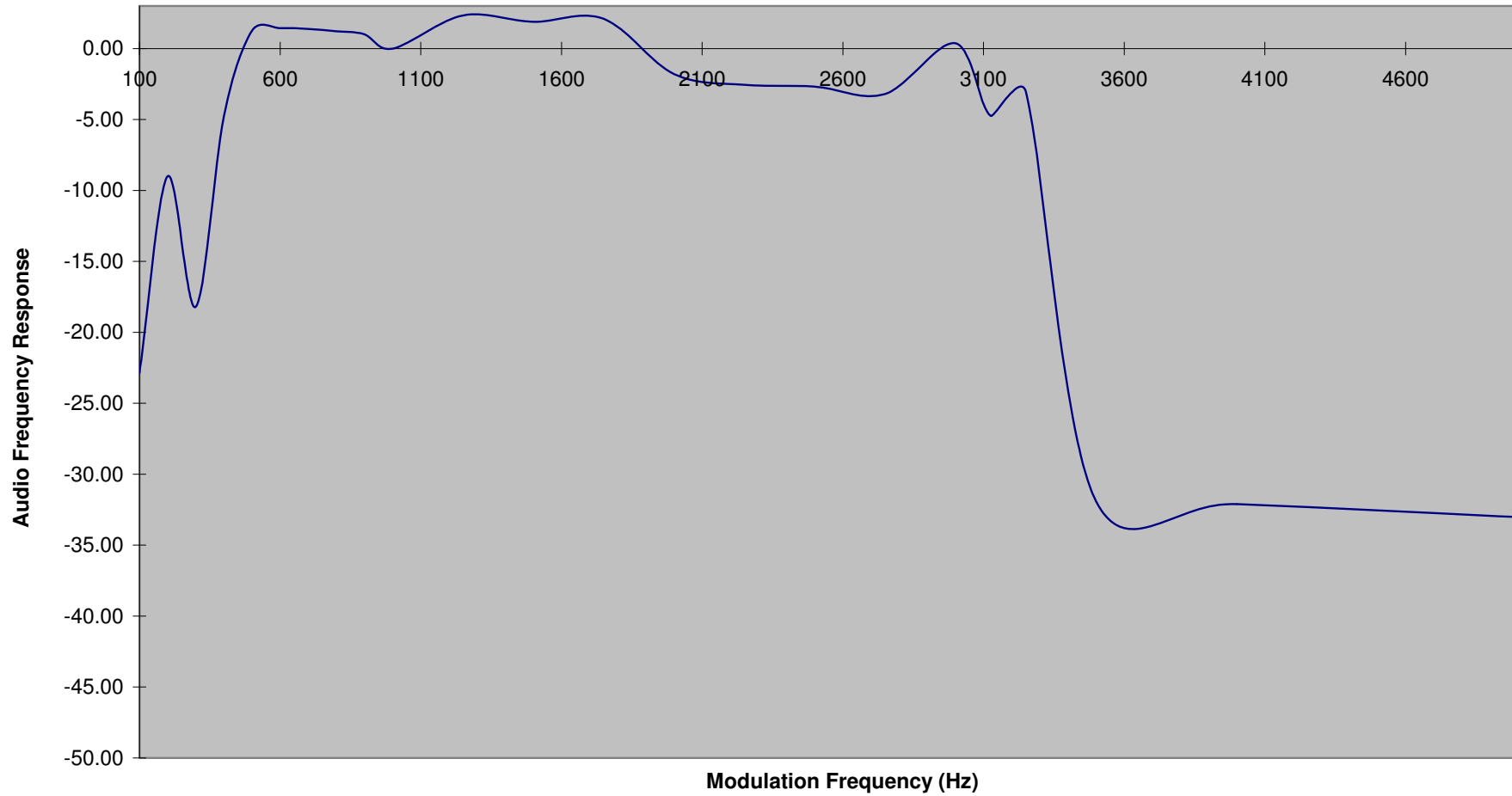
Test Engineer: Koo Wai Ip

Date of Test: March 03, 2017

INTERTEK TESTING SERVICES

INTERTEK TESTING SERVICES

Modulation Frequency Response



FCC ID: AMWSX237

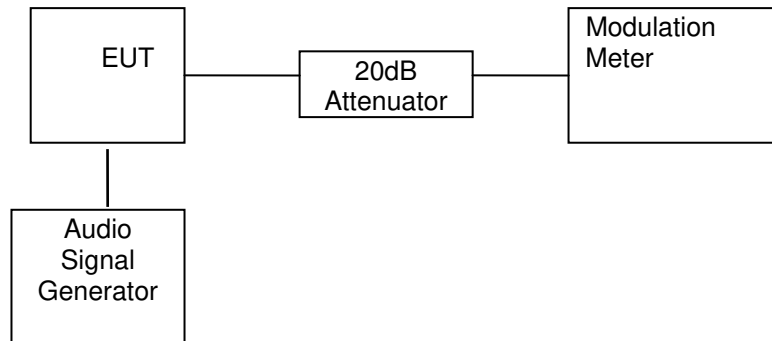
mfr - 1 of 1

INTERTEK TESTING SERVICES

4.2 Modulation Limiting Characteristics (Section 2.1047(b), 95.637(a))

Testing Procedure

- 1) Set-up the test equipment in the following configuration:



- 2) Set the frequency of the audio signal generator to 500Hz and adjust the level from 47dB SPL to 137dB SPL.
- 3) Record the maximum value of plus or minus peak frequency deviation.
- 4) Repeat the above procedure with frequency 1000Hz, 2500Hz & 3125Hz.
- 5) The peak frequency deviation must not exceed:

GMRS + FRS : $\pm 2.5\text{kHz}$

INTERTEK TESTING SERVICES

C. Test Result

Table 3

**Uniden America Corporation
SX237-2CK**

Modulation Limiting Characteristics

Test Channel : 4

Modulation Input (dB SPL)	Peak Frequency Deviation (kHz) at 500Hz	Peak Frequency Deviation (kHz) at 1000Hz	Peak Frequency Deviation (kHz) at 2500Hz	Peak Frequency Deviation (kHz) at 3125Hz
47	0.400	0.400	0.400	0.400
57	0.400	0.400	0.400	0.400
67	0.400	0.400	0.400	0.400
77	0.780	0.780	0.650	0.540
87	0.980	0.980	0.980	0.540
97	1.540	1.430	1.320	0.660
107	1.650	1.480	1.320	0.980
117	1.760	1.530	1.320	1.135
127	1.861	1.611	1.289	1.136
137	1.860	1.610	1.288	1.135

Verdict: Pass

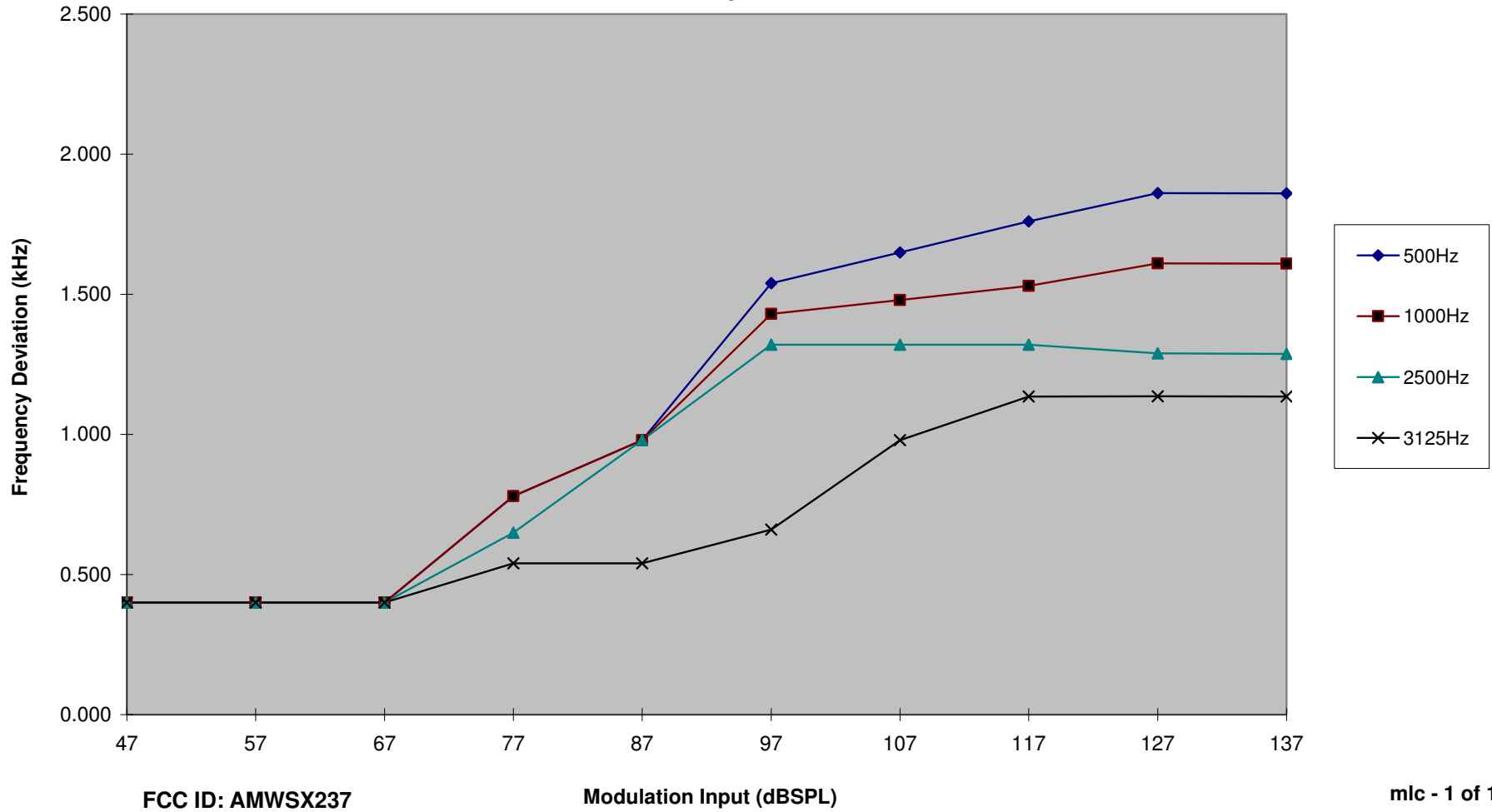
Test Engineer: Koo Wai Ip

Date of Test: March 03, 2017

INTERTEK TESTING SERVICES

INTERTEK TESTING SERVICES

Modulation Limiting Characteristic



FCC ID: AMWSX237

Modulation Input (dBSPL)

mlc - 1 of 1

INTERTEK TESTING SERVICES

4.3 Audio Low Pass Filter Response (Section 2.1047(a), 95.637(b))

Testing Procedure

- 1) Connect the audio signal generator to the input of the post limiter low pass filter and the dB meter to the output of the post limiter low pass filter.
- 2) Apply a 1000 Hz tone from the audio signal generator and adjust the level per manufacturer's specifications. Record the dB level of the 1000 Hz tone as LEV_{REF} .
- 3) Set the audio signal generator to the desired test frequency between 3000 Hz and the upper low pass filter limit. Record the dB level at the test frequency as LEV_{FREQ} .
- 4) Calculate the audio frequency response at the test frequency as:

$$\text{low pass filter response} = LEV_{FREQ} - LEV_{REF}$$

- 5) Repeat the above procedure for all the desired test frequencies.

INTERTEK TESTING SERVICES

C. Test Result

Table 4

**Uniden America Corporation
SX237-2CK**

Low-Pass Filter Response

Test Channel : 4

Audio Input Strength = 2000mVrms

Frequency (kHz)	dB relative to 1 kHz	Part 95.637(b)
1	0.0	0.0
3	-10.0	0.0
4	-26.0	-7.5
5	-49.0	-13.3
6	-55.0	-18.1
8	-55.0	-25.6
10	-55.0	-31.4
15	-55.0	-41.9
20	-55.0	-50.0
30	-55.0	-50.0
40	-55.0	-50.0
50	-55.0	-50.0
60	-55.0	-50.0
70	-55.0	-50.0
80	-55.0	-50.0
90	-55.0	-50.0
100	-55.0	-50.0

Audio Output at 1kHz: 15.0dBV

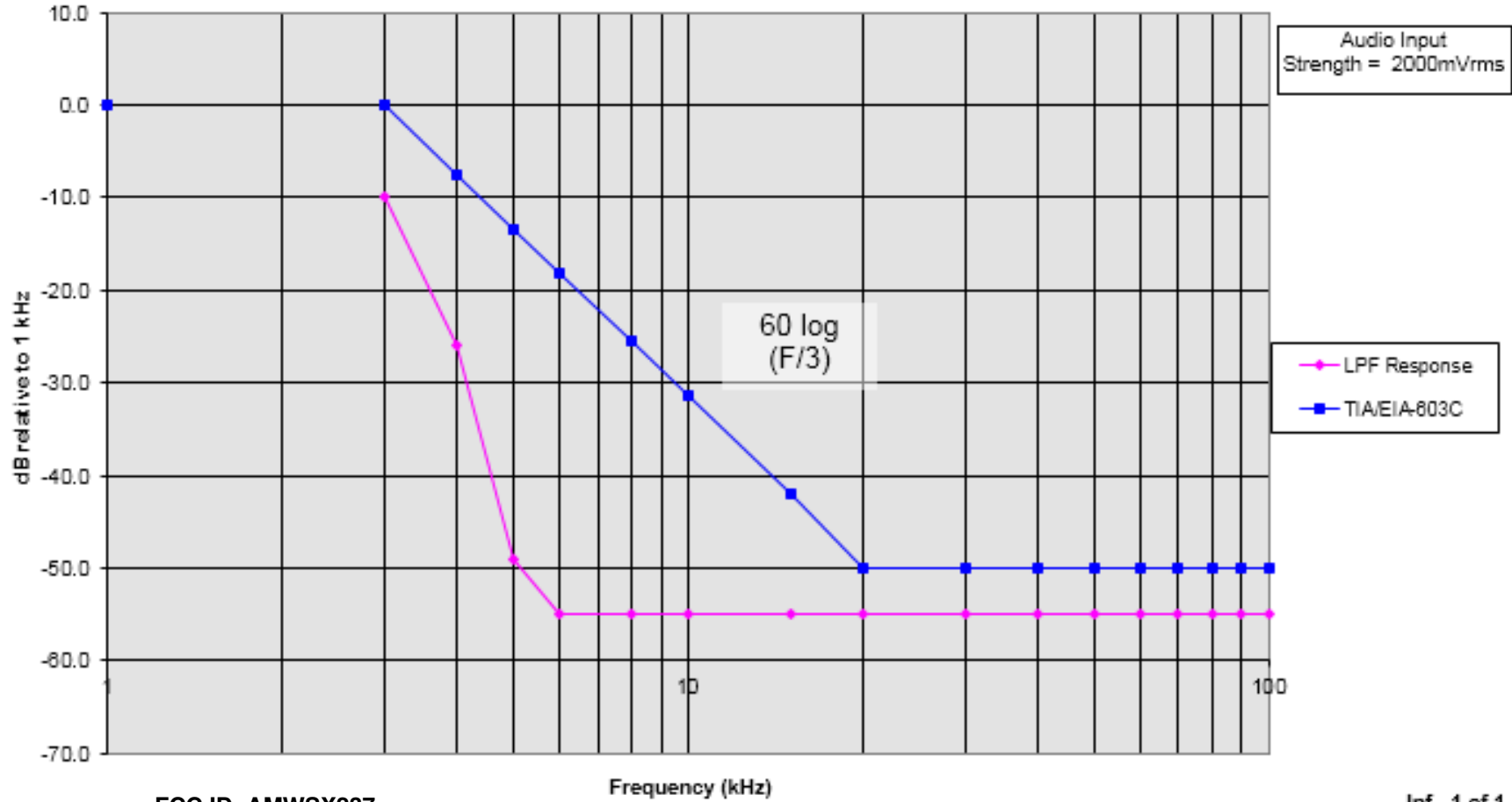
Verdict: Pass

Test Engineer: Koo Wai Ip

Date of Test: March 03, 2017

INTERTEK TESTING SERVICES

INTERTEK TESTING SERVICES Audio Low Pass Filter Response



FCC ID: AMWSX237

Frequency (kHz)

lpf - 1 of 1

INTERTEK TESTING SERVICES

EXHIBIT 5

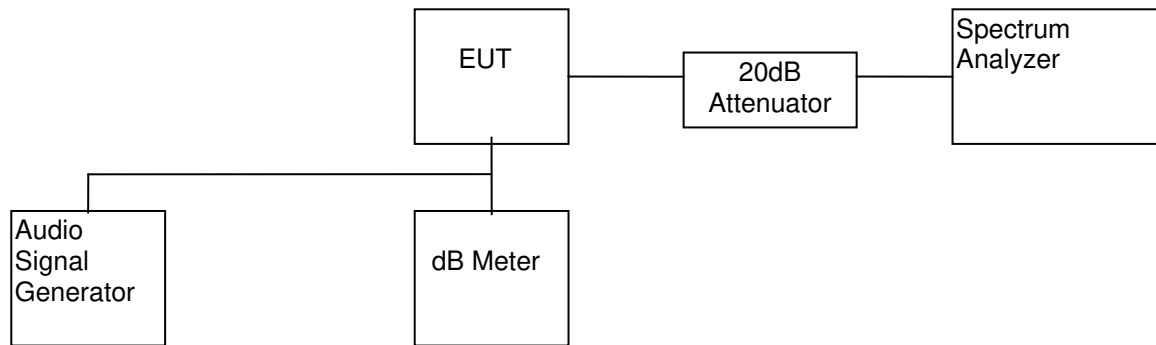
OCCUPIED BANDWIDTH

INTERTEK TESTING SERVICES

5.0 Occupied Bandwidth (Section 2.1049, 95.633(c))

Testing Procedure

- 1) Set-up the test equipment in the following configuration:



- 2) Set the level of audio signal generator to obtain 16 dB greater than required for 50% modulation.
- 3) The occupied bandwidth is measured with the spectrum analyzer set at 2kHz/div scan and 10dB/div.

INTERTEK TESTING SERVICES

C. Test Result

Table 5

**Uniden America Corporation
SX237-2CK**

System	Channel	Measured Bandwidth (kHz)	Limit (kHz)
GMRS	4	5.64	≤20
FRS	11	5.44	≤12.5

Verdict: Pass

The bandwidth plot is saving in following page.

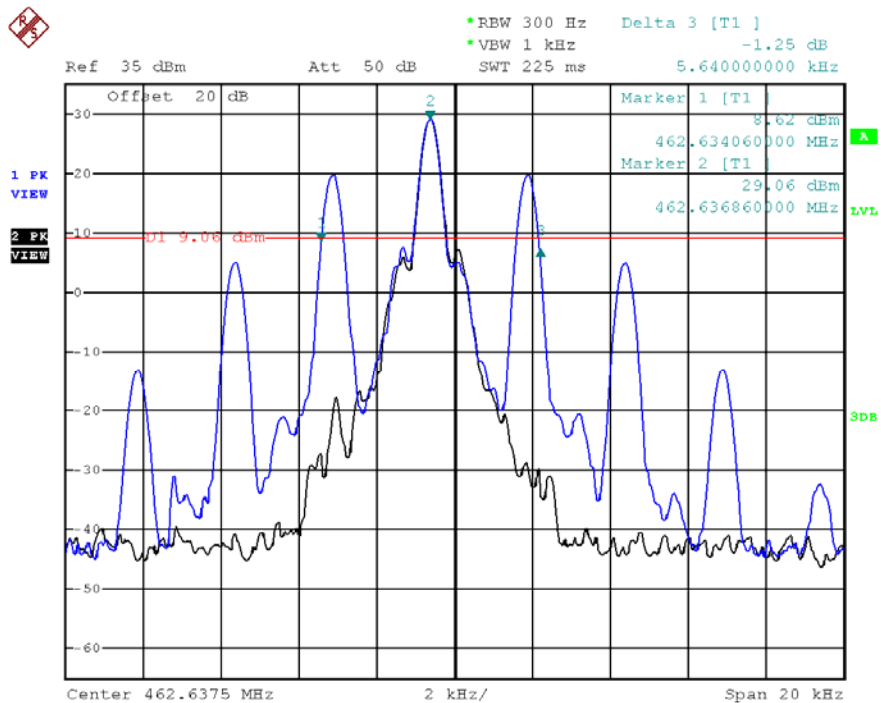
Test Engineer: Koo Wai Ip

Date of Test: March 03, 2017

INTERTEK TESTING SERVICES

Occupied Bandwidth Plots

Plot CH4



Plot CH11

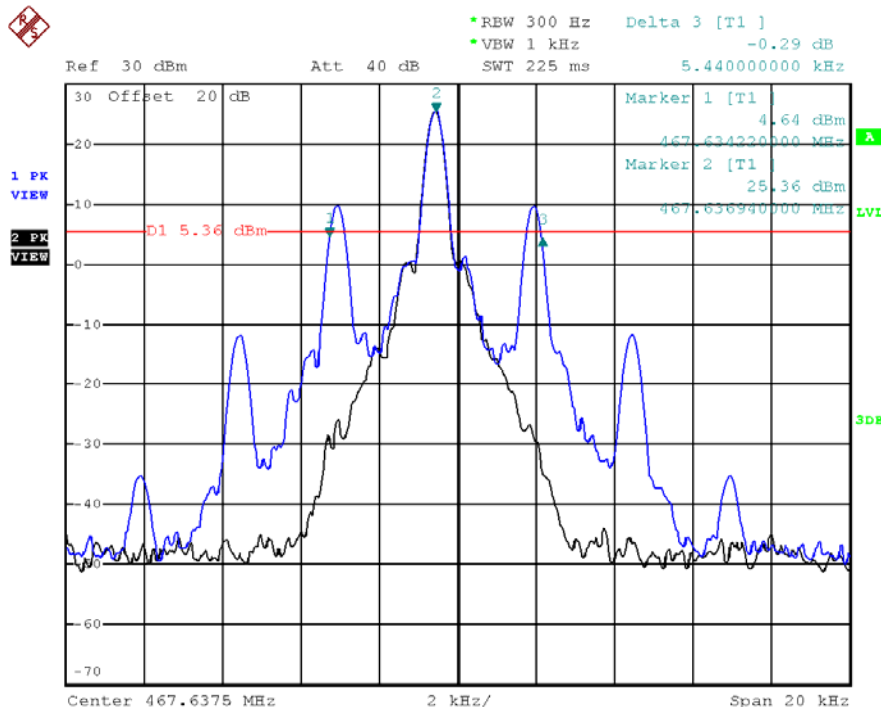


EXHIBIT 6

SPURIOUS EMISSION

INTERTEK TESTING SERVICES

6.0 Spurious Emission

In order to satisfy the 95.635(b) requirement, the spurious emission from the EUT are measured and shown in the Exhibit 6.1.

INTERTEK TESTING SERVICES

6.1 Power of Spurious Radiation (Section 2.1053, 95.635(b))

Testing Procedure

Radiated emission measurements were performed according to the procedures in ANSI/TIA-603-C-2004. All measurements were performed at Workshop No. 3, G/F., World-Wide Industrial Centre, 43-47 Shan Mei Street, Fo Tan, Sha Tin, N.T., Hong Kong

INTERTEK TESTING SERVICES

C. Test Result

**Uniden America Corporation
SX237-2CK**

Table 6(a)

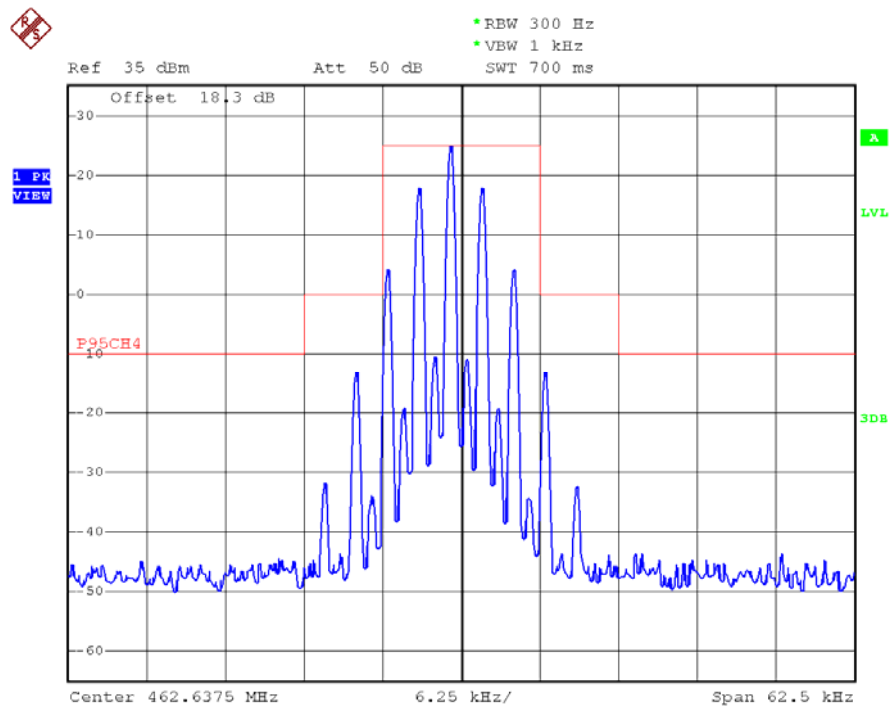
1) Unwanted emission from CARRIER $\pm 6.25\text{kHz}$ to CARRIER $\pm 31.25\text{kHz}$

Region	Unwanted emission	
	Channel 4	Channel 11
CARRIER $\pm 6.25\text{kHz}$ to $\pm 12.5\text{kHz}$	<25dB	<25dB
CARRIER $\pm 12.5\text{kHz}$ to $\pm 31.25\text{kHz}$	<35dB	<35dB

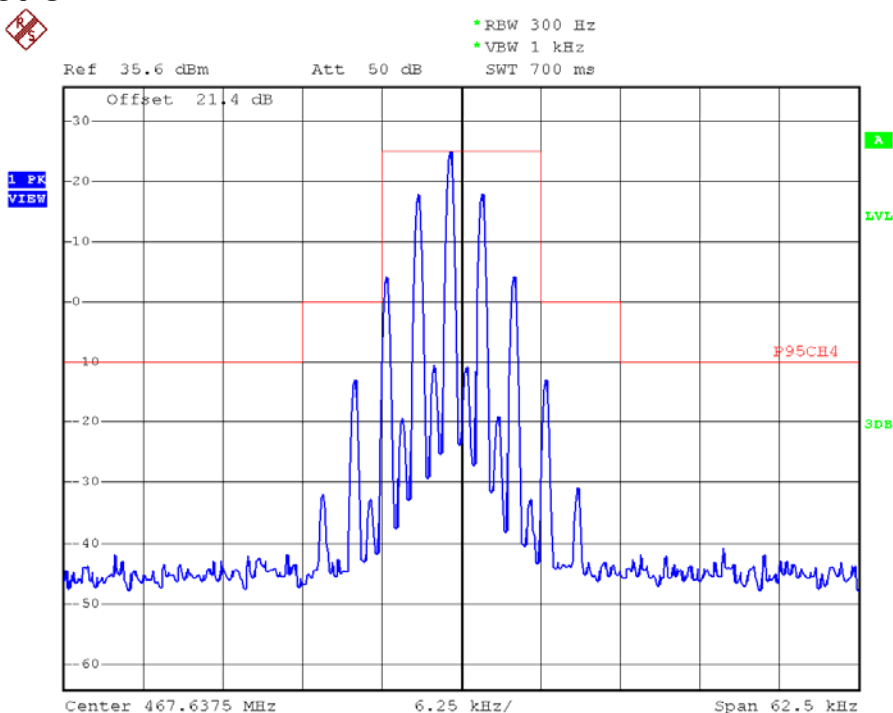
INTERTEK TESTING SERVICES

Spurious Emission Plots

Plot CH4



Plot CH11



INTERTEK TESTING SERVICES

Table 6(b): Channel 4

Frequency (MHz)	Effective Radiated Power (dBm)	Transmission Power (dBm)	Attenuation (dBc)	Limit (dBc)	Margin (dB)
925.275	-26.7	29.4	56.1	42.8	-13.3
1387.913	-53.1	29.4	82.5	42.8	-39.7
1850.550	-44.4	29.4	73.8	42.8	-31.0
2313.188	-44.5	29.4	73.9	42.8	-31.1
2775.825	-42.2	29.4	71.6	42.8	-28.8
3238.463	-42.9	29.4	72.3	42.8	-29.5
3710.100	-24.9	29.4	54.3	42.8	-11.5
4163.738	-43.7	29.4	73.1	42.8	-30.3
4626.375	-40.3	29.4	69.7	42.8	-26.9

- Remark: 1. Transmission power is 29.8 dBm or -0.2 dB(W).
2. According to Section 95.635(b7), the unwanted emission should be attenuated below TP by at least $43 + 10 \log_{10} (TP)$ dB or 42.8 dB.
3. The test is performed according to ANSI/TIA-603-C-2004.
4. For emission <1000MHz, RBW = 100kHz, VBW \geq RBW
For emission >1000MHz, RBW = 1MHz, VBW \geq RBW

Verdict: Pass

Test Engineer: Koo Wai Ip

Date of Test: March 03, 2017

INTERTEK TESTING SERVICES

Table 6(c): Channel 11

Frequency (MHz)	Effective Radiated Power (dBm)	Transmission Power (dBm)	Attenuation (dBc)	Limit (dB)	Margin (dB)
935.275	-33.7	26.9	60.6	39.9	-20.7
1402.913	-46.8	26.9	73.7	39.9	-33.8
1870.550	-32.7	26.9	59.6	39.9	-19.7
2338.188	-40.8	26.9	67.7	39.9	-27.8
2805.825	-41.7	26.9	68.6	39.9	-28.7
3273.463	-32.6	26.9	59.5	39.9	-19.6
3741.100	-24.7	26.9	51.6	39.9	-11.7
4208.738	-42.6	26.9	69.5	39.9	-29.6
4676.375	-38.5	26.9	65.4	39.9	-25.5

- Remark: 1. Transmission power is 26.9 dBm or -3.1 dB(W).
2. According to Section 95.635(b7), the unwanted emission should be attenuated below TP by at least $43 + 10 \log_{10} (TP)$ dB or 39.9 dB.
3. The test is performed according to ANSI/TIA-603-C-2004.
4. For emission <1000MHz, RBW = 100kHz, VBW \geq RBW
For emission >1000MHz, RBW = 1MHz, VBW \geq RBW

Verdict: Pass

Test Engineer: Koo Wai Ip

Date of Test: March 03, 2017

INTERTEK TESTING SERVICES

D. AC Line Conducted Emission Data

Judgement:

GMRS/ FRS/ Tx: Passed by 17.08 dB margin

The conducted emission test result is saving in the following page.

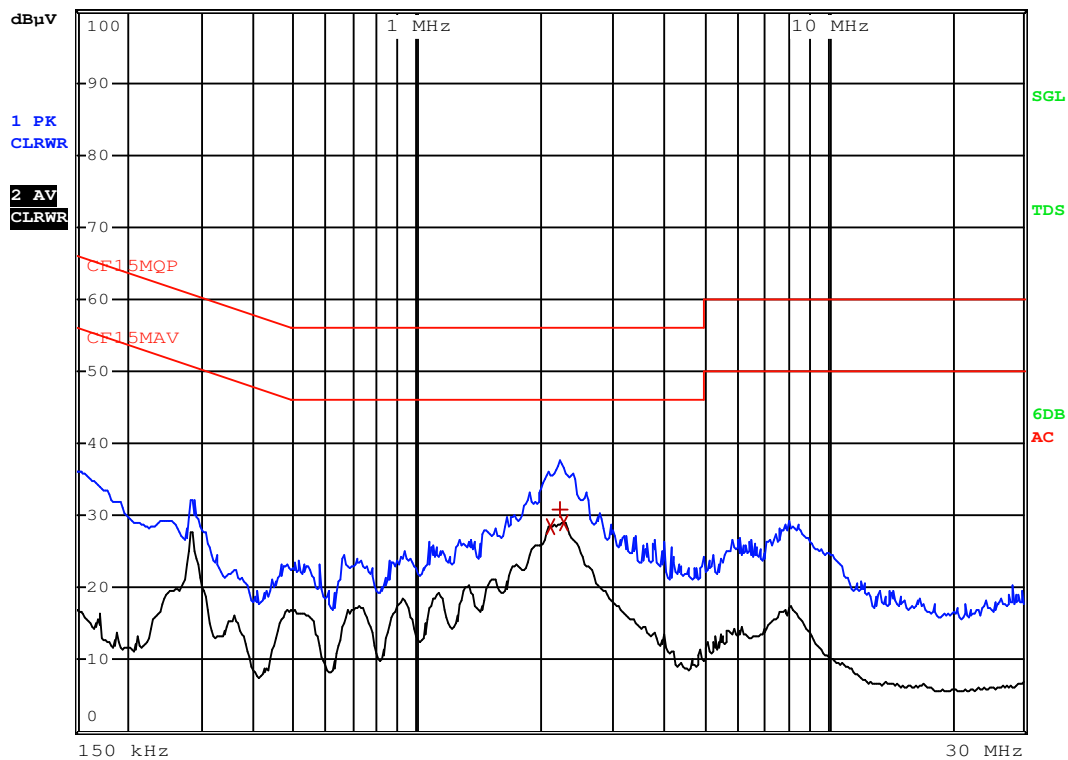
INTERTEK TESTING SERVICES

Mode: Direct Charging



RBW 9 kHz
MT 1 s

Att 10 dB AUTO PREAMP OFF



INTERTEK TESTING SERVICES

Mode: Direct Charging

EDIT PEAK LIST (Final Measurement Results)				
TRACE		FREQUENCY	LEVEL dB μ V	DELTA LIMIT dB
Trace1:	CF15MQP			
Trace2:	CF15MAV			
Trace3:	---			
2	CISPR Average	2.121 MHz	28.38 L1	-17.62
1	Quasi Peak	2.2335 MHz	30.84 L1	-25.15
2	CISPR Average	2.283 MHz	28.92 L1	-17.08

INTERTEK TESTING SERVICES

EXHIBIT 7

FREQUENCY STABILITY

INTERTEK TESTING SERVICES

7.0 Frequency Stability (Section 2.1055(a)(b)(d), 95.626(b) for FRS, 95.621(b) for GMRS)

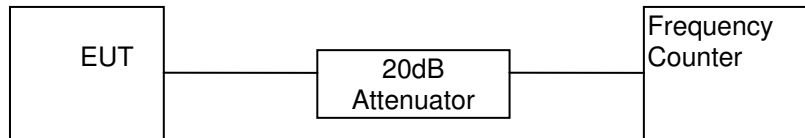
The frequency tolerance was tested in normal condition & over extreme ambient conditions with respect to voltage and temperature variation.

INTERTEK TESTING SERVICES

7.1 Frequency Tolerance (Section 95.626(b) for FRS, 95.621(b) for GMRS)

Testing Procedure

- 1) Set-up the test equipment in the following configuration:



- 2) Measure all transmit channel frequencies in MHz.

INTERTEK TESTING SERVICES

C. Test Result

Table 7

**Uniden America Corporation
SX237-2CK**

Frequency Tolerance

Channel	Frequency (MHz)	Measured Frequency (MHz)	Frequency Tolerance (%)
1	462.5625	462.56190	-0.000130
2	462.5875	462.58692	-0.000125
3	462.6125	462.61192	-0.000125
4	462.6375	462.63690	-0.000130
5	462.6625	462.66192	-0.000125
6	462.6875	462.68691	-0.000127
7	462.7125	462.71191	-0.000127
8	467.5625	467.56190	-0.000127
9	467.5875	467.58701	-0.000105
10	467.6125	467.61191	-0.000126
11	467.6375	467.63689	-0.000130
12	467.6625	467.66191	-0.000126
13	467.6875	467.68691	-0.000126
14	467.7125	467.71191	-0.000126
15	462.5500	462.54942	-0.000125
16	462.5750	462.57442	-0.000125
17	462.6000	462.59942	-0.000126
18	462.6250	462.62442	-0.000125
19	462.6500	462.64942	-0.000125
20	462.6750	462.67442	-0.000124
21	462.7000	462.69942	-0.000124
22	462.7250	462.72442	-0.000124

FCC Limit for FRS (95.626(b)): $\leq \pm 0.00025\%$
FCC Limit for GMRS (95.621(b)): $\leq \pm 0.0005\%$

Verdict: Passed

Test Engineer: Koo Wai Ip

Date of Test: March 03, 2017

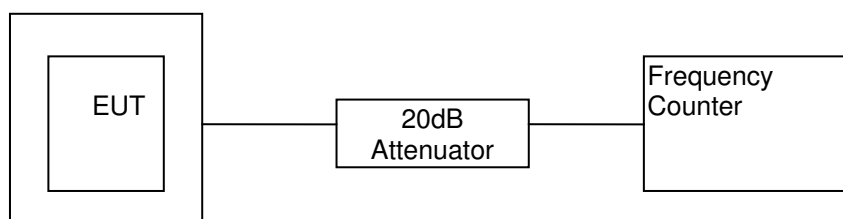
INTERTEK TESTING SERVICES

7.2 Frequency Stability - Temperature (Section 2.1055(a)(b), 95.626(b) for FRS, 95.621(b) for GMRS)

Testing Procedure

- 1) Set-up the test equipment in the following configuration:

Temperature Chamber



- 2) Set the Temperature Chamber to 20°C and stabilize the EUT temperature for one hour. Set transmitter ON for two minutes.
- 3) Measure the channel frequency of channel 4 in MHz.
- 4) Turn the EUT OFF.
- 5) Repeat the above procedure from -30°C to 50°C with 10°C increment for GMRS.
- 6) Repeat the above procedure from -20°C to 50°C with 10°C increment for FRS.

INTERTEK TESTING SERVICES

C. Test Result

Table 8(a)

**Uniden America Corporation
SX237-2CK**

Frequency Tolerance with Temperature Variation

Channel : 4

Temperature (°C)	Frequency (MHz)	Measured Frequency (MHz)	Frequency Deviation (%)	# Frequency Tolerance w.r.t +20°C (ppm)
-30	462.63750	462.63634	-0.000251	-2.7
-20	462.63750	462.63738	-0.000026	-0.5
-10	462.63750	462.63762	0.000026	0.0
0	462.63750	462.63773	0.000050	0.3
10	462.63750	462.63768	0.000039	0.2
20	462.63750	462.63760	0.000022	0.0
30	462.63750	462.63756	0.000013	-0.1
40	462.63750	462.63777	0.000058	0.4
50	462.63750	462.63837	0.000188	1.7

Remark: 1) For GMRS, frequency tolerance must be maintained within a frequency tolerance of 0.0005%.

2) #Data is for GMRS compliance, not for FRS.

Verdict: Passed

Test Engineer: Koo Wai Ip

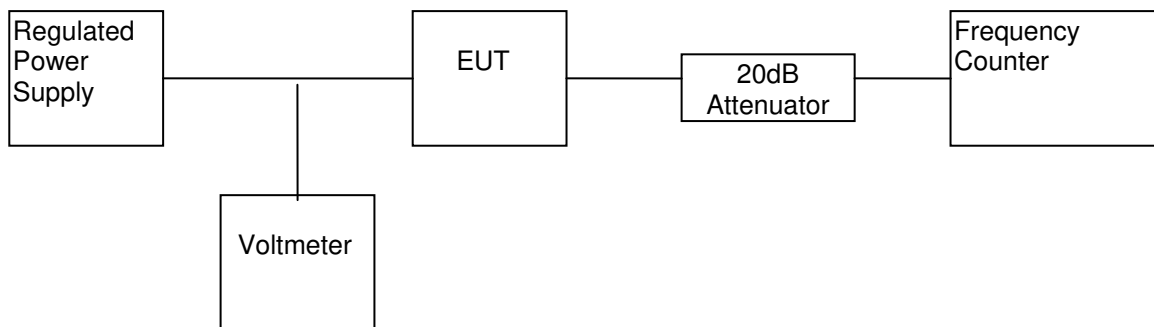
Date of Test: March 03, 2017

INTERTEK TESTING SERVICES

7.3 Frequency Stability - Voltage (Section 2.1055(d), 95.626(b) for FRS, 95.621(b) for GMRS)

Testing Procedure

- 1) Set-up the test equipment in the following configuration:



- 2) Vary the level of regulated power supply to the manufacturer specified battery end point of the EUT.
- 3) Measure the channel frequency of channel 4 in MHz.

INTERTEK TESTING SERVICES

C. Test Result

Table 9

**Uniden America Corporation
SX237-2CK**

Frequency Deviation with Voltage Variation

The manufacturer specified battery end point 3.2V

Channel	Frequency (MHz)	Measured Frequency (MHz)	Tolerance (%)
4	462.63750	462.63675	-0.000162

- Remark: 1) For FRS, frequency tolerance must be maintained within a frequency tolerance of 0.00025%.
2) For GMRS, frequency tolerance must be maintained within a frequency tolerance of 0.0005%.
3) The test voltage is from primary supply voltage to 3.2V

Test Engineer: Koo Wai Ip

Date of Test: March 03, 2017

INTERTEK TESTING SERVICES

EXHIBIT 8

EQUIPMENT LIST

INTERTEK TESTING SERVICES

8.0 Equipment List

1) Radiated Emissions Test

Equipment	Biconical Antenna	Log Periodic Antenna	Double Ridged Guide Antenna
Registration No.	EW-0571	EW-0447	EW-1133
Manufacturer	EMCO	EMCO	EMCO
Model No.	3104C	3146	3115
Calibration Date	May 18, 2016	May 18, 2016	Nov. 05, 2015
Calibration Due Date	Nov. 18, 2017	Nov. 18, 2017	May 05, 2017

Equipment	EMI Test Receiver	Spectrum Analyzer	BiConiLog Antenna
Registration No.	EW-3095	EW-2253	EW-3061
Manufacturer	R&S	R&S	EMCO
Model No.	ESCI	FSP40	3142E
Calibration Date	Oct. 25, 2016	Jun. 15, 2016	Sep. 23, 2016
Calibration Due Date	Oct. 25, 2017	Jun. 15, 2017	Sep. 23, 2017

2) Conducted Emissions Test

Equipment	EMI Test Receiver	LISN	Pulse Limiter
Registration No.	EW-2666	EW-0192	EW-3248
Manufacturer	R&S	R&S	R&S
Model No.	ESCI7	ESH3-Z5	ESH3-Z2
Calibration Date	Jun. 17, 2016	Aug. 26, 2016	Oct. 12, 2016
Calibration Due Date	Jun. 17, 2017	Aug. 26, 2017	Oct. 12, 2017

3) Modulation Characteristics

Equipment	Communication Service Monitor	Temperature & Humidity Chamber
Registration No.	EW-1775	EW-2134
Manufacturer	R&S	GIANT FORCE
Model No.	CMS54	GTH-750-40-CP-SD
Calibration Date	Nov. 18, 2016	Sep. 26, 2016
Calibration Due Date	Nov. 18, 2017	Sep. 4, 2017