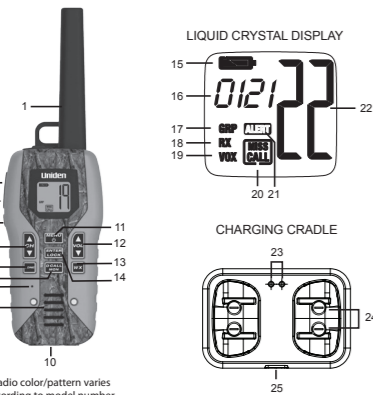


GMR5088-2CKHS, GMR5095-2CKHS

GMR5098-2CKVP

- 22 FRS Channels
 - 7 Weather Channels
 - 142 Privacy Codes (CTCSS Tone and DCS Code)
 - Up to 50 Mile Range*
 - Internal VOX Circuitry
 - TRU Waterproof™ (JIS7) — Submersible and Floats
 - Direct Call with Name Display
 - 143 Group Codes
 - Silent Mode
 - 10 Selectable Call/Ring Tone Alerts
 - Backlit LCD Display
 - Roger Beep
 - Call Alert; Vibrate
 - 2 Earbuds with VOX Mic or 2 Headset Boom Mics
- BOOST for Maximum Range*
 - Headset Jack
 - Auto Channel Change Call
 - Battery Level Meter
 - Rechargeable NiMH Batteries
 - Dual Charging Cradle with AC Adapter
 - Channel Monitor
 - Channel Scan Group Scan
 - Keypad Lock
 - Emergency Weather Alert
 - Emergency Light

**Range may vary depending on environmental and/or topographical conditions.*



Radio color/pattern varies according to model number.

1	Antenna	14	Enter/Lock
2	Push to Talk	15	Battery Level
3	Boost	16	Group Number
4	Monitor	17	Group Indicator
5	Channel Up/Down	18	RX (Receive) or TX (Transmit) Indicator
6	Tone	19	VOX Indicator
7	D Call	20	Missed Call Indicator
8	Microphone	21	Alert Indicator
9	Speaker	22	Channel Number
10	Flashlight/Monitor	23	Charging LED
11	Menu/Power	24	Charging contacts
12	Volume Up/Down	25	miniUSB port
13	Weather		

Congratulations on your purchase of a Uniden FRS waterproof radio. These lightweight, palm-sized, radios are state-of-the-art devices. The GMR5088-2CKHS and GMR5095-2CKHS models include earbud vox mics. GMR5098-2CKVP includes two VOX headset boom mics. Use them at sporting events to contact family and friends, while hiking, skiing, or outdoors, or in a neighborhood watch for vital communication — even outside by the pool! Don't worry; they float!

Your radio complies with IPX7 water-resistant standards, which means the radio can be submerged in 1.0 meters of water for 30 minutes without damage.

- The radio will only meet this rating if fully assembled and all rubber seals and the jack cover are well maintained and correctly fitted. This means that the Headset plug is inserted, and the Headset jack cover and the battery pack are attached and securely fastened.
- After your radio is submerged in water, you might notice that the sound is distorted. This is because water remains in and around the speaker and microphone. Just shake the radio to clear excess water, and the sound should return to normal.

Note: If your radio is exposed to salt water, clean your radio thoroughly with fresh water and dry it before turning it on.

PACKAGE CONTENTS

Your package contains two radios, 6 rechargeable AA NiMH batteries, one AC adapter with microUSB connector, one charging cradle, 2 earbud/mic headsets for GMR5095-2CKHS and GMR5088-2CKHS (GMR5098-2CKVP has two headset boom mics), two belt clips, and this reference guide. To order the following optional accessories, visit our web site at www.uniden.com. **Use only Uniden accessories.**

- NiMH Batteries – #BP-38
- Charging Cradle – #RC-658R
- Headset Boom Mic – #ZA-133 or ZA-160
- AC Adapter – #AD-0001
- Carabiner Clip – #TSTD0720002

INSTALL THE BATTERY

Each radio uses 3 rechargeable AA NiMH batteries for power (included). It can also use non-rechargeable AA alkaline batteries (not included). To install the NiMH batteries:

1. Turn the screw holding the battery compartment counterclockwise with a screwdriver and lift up the battery cover.
2. Insert the NiMH batteries in the battery compartment according to the directions indicated on the battery tray. Installing the batteries incorrectly will prevent the unit

1. from operating.
3. Before placing the battery cover back on the radio, check the rubber seal around the battery compartment. Make sure that the seal is in good condition and that there is no foreign matter under it.
4. Replace the battery compartment door. Tighten the screws securely.

Note: If the rubber seal appears worn, nicked, or dried out, replacement seals are available from www.uniden.com.

CHARGING THE RADIO

Follow these instructions to charge or recharge your radios.

Make sure to turn the radio OFF before placing it in the charging cradle.

1. Insert the adapter's microUSB plug to DC IN 5V USB jack of the charging cradle and plug the other end into an AC outlet.
2. Set the charging cradle on a stable desk or tabletop and place the radios in the charging cradle with the keypad facing forward.
3. Make sure that the LED illuminates. Charge the batteries for 16 hours and remove the radio from the charging cradle after charging.

Note:

- Use only the supplied batteries and AC adapter or approved accessories from Uniden.
 - Charge time may vary depending on the battery life remaining.
 - The batteries must be installed for the unit to operate, even if the unit is also connected to external power.
 - If battery power is low, you cannot operate the radio even using external power. Allow the batteries to charge before using. If you try to transmit while power is low, the radio will automatically turn off.
 - Do not recharge alkaline batteries. Doing so can create a safety hazard or damage the radio.
 - For faster charging, turn off the radio before charging.
- Warning!**
- The charging cradle is not waterproof. If the charging cradle falls in the water, unplug it before attempting to remove it from the water. Allow the cradle to dry completely before reconnecting the power.
 - Wipe off dirt or shake water from your radio before placing in the charging cradle if your radio is soiled or wet.

USING A HEADSET

GMR5088-2CKHS and GMR5095-2CKHS both come with an earbud headset with mic on the

cord. The GMR5098-2CKVP comes with boom mic headset. To use a headset, lift the rubber cover from over the headset jack, then plug in the headset.

Important: Your radio is not waterproof when using a headset jack. When you remove the headset, be sure to fully press the jack cover into place to restore its waterproof capability.

USING RADIO BATTERY LEVEL AND LOW BATTERY ALERT

Your radio has a battery level meter that indicates the battery power level. When the battery level is low, the battery level meter icon flashes and then BATT appears after 30 seconds. Recharge the NiMH batteries immediately.

Warning! To avoid the risk of personal injury or property damage from fire or electrical shock, only use the Uniden accessories specifically designated for this product.

USING THE RADIO

In order to get the most out of your new radio, read this reference guide completely before attempting to operate it.

Turning the Radio On and Adjusting the Volume

1. Press and hold **MENU/☺** to turn the radio on.
2. Press **VOL ▲** or **▼** to increase or decrease the volume level then press **ENTER/🔒**.
3. Press and hold **MENU/☺** to turn the radio off.

Choosing a Channel

Your radio has 22 channels and 142 Privacy codes you can use to talk to others. In order to speak to someone, both your radios must be set to the same channel and Privacy code.

To choose a channel:

To scroll through the channels one at a time, press **CH ▲** or **▼**. Press and hold **CH ▲** or **▼** to scroll rapidly through the channels.

Note: Channels 1-7 and 15-22 have a typical range of up to 50 miles by pressing BOOST. HI displays when you select a high-power channel, and LO displays when you select a low-power channel.

SETTING UP GROUP MODE

Group mode lets several people talk on the same channel in a separate group. In order to use Group mode, you need to initialize specific settings in your radio:

- Set the radio to Group mode.
- Set a Group Code.
- Set a Unit Number.
- Set a "Nickname."

Setting the Radio to Group Mode

To set the radio to Group mode, which enables Direct Call, Auto Channel Change, and All Call, press and hold **TONE/GROUP** for 2 seconds. The radio displays **GRP** and group code.

Note: In Group mode, you cannot receive transmissions from other radios unless they are also set to the same channel and group code.

Setting the Group Code

Set the group code for your radio group from 0-142. Everyone in your group must select the same group code in order to communicate with each other.

1. Press **TONE/GROUP** in Group mode. Press **CH ▲** or **▼** to select the group number.
2. Press **ENTER/🔒** or **TONE/GROUP** to return to normal operation.

Setting the Unit Number

Each radio in your group needs to be set to a unique unit number, from 1-16.

1. Press **MENU/☺**. Advance through the menu until **UNIT** appears, and then press **ENTER/🔒**. The current unit number flashes.
2. Press **CH ▲** or **▼** to select the desired unit number.
3. Press **ENTER/🔒** to continue to the next section.

Setting Your Nickname

Your nickname appears on other units' displays when you make an All Call or Direct Call. This is also the name that appears on other radio displays when someone wants to make a Direct Call to you. Without a nickname, the unit number shows.

1. Press **MENU/☺**. Advance through the menu until **UNIT** appears, and then press **ENTER/🔒**. The current unit number flashes, then press **ENTER/🔒**. The radio displays - - - (or your current nickname) with the first place in the nickname flashing.
2. Press **CH ▲** or **▼** to select the letter, then **ENTER/🔒** to advance to the next letter until you have entered your nickname.
3. Press **MENU/☺** to confirm the setting and exit the menu.

Using Group Mode

Group mode lets you make direct calls to other people in your group without alerting the entire group and also lets you quickly change everyone in your group to another channel from a single radio. Before using Group mode, follow the instructions in "Setting Up Group mode" on

every radio in your group. Then, to record the unit ID and everyone's nickname in every radio, send a call to "All" from each radio one time (see "Sending a Direct Call").

Sending a Direct Call

Direct Call lets you call everyone in your group at once, or call a single person in your group without anyone else in the group knowing. It is like a "speed dial" directly to the person(s) you want to talk to.

To call everyone in your group, press **D CALL** in Group mode. The radio flashes **ALL**. Then, press **D CALL** or **ENTER/🔒**. Everyone in your group receives a call "chirp" for about 3 seconds. When the chirp ends, begin your conversation.

Note: When you make a direct call to "all," your radio also sends out your nickname or ID so that it will show up in the call list for everyone in your group.

To call one person in your group without having other people know, press **D CALL** in Group mode. Then, use **CH ▲** or **▼** to select the person you want to call and press **D CALL** or **ENTER/🔒**. Your radio sounds tones for 3 seconds as it sends the call. When the selected person answers, you can begin your conversation.

You can silence the call tones any time by pressing **PTT** or **BOOST**.

Your conversation remains private between you and the person you called until 15 seconds after your last conversation. Then, your radio automatically exits Private mode.

Automatically Changing Channels

Auto Channel Change lets you easily coordinate a channel change for everyone in your group. You might want to do this when you find you are getting a lot of interference on your current channel. You also use this feature to change from a low-power channel (8-14) to one of the high-powered channels (1-7, 15-22) for more range (or to a low-power channel if you need longer battery life).

To start an auto channel change, on any radio in the group, press **MENU/☺**. Advance through the menu until **CHCX** appears, then press **ENTER/🔒**. The current channel flashes. Use **CH ▲** or **▼** to select the target channel. You can check whether the selected channel is clear. Then press **D CALL** or **ENTER/🔒**.

Your radio chirps for about 10 seconds while it sends out the channel change signal. As each radio receives the channel change signal, it chirps once, then changes to the new channel.

To ensure all radios make it to the new channel, we recommend you:

- Make sure you are in an open environment,

where the radio will get the best range.

- Optimize range during the channel change signal by raising the radio over your head to give the best possible height.
- Do a "roll call" on the new channel after the move to be sure no one was left behind. If you missed someone, return to the previous channel and issue the signal again.

USING THE RADIO IN STANDARD MODE

Use the radio in Standard (not Group) mode when you need to be able to communicate with radios that do not have the group feature.

Choosing a Privacy Code

You can select a Privacy Code from 1-142 for each channel. **oF** (off) indicates no Privacy Code selected and your radio can receive a signal regardless of the code settings of the transmitting radio.

1. Press **TONE/GROUP**. The Privacy Code indicator flashes.
2. Press **CH ▲** or **▼** to increase or decrease the code. You can also select **oF**.
3. Press **ENTER/🔒** or **TONE/GROUP** to return to normal operation.

Note: Only tones 1-38 are standard across radio brands. Other settings might differ from brand to brand. See the specifications for the specific tones used for each setting.

Channel Scan Feature

Your radio has a channel scan feature that lets you easily scan all 22 channels. When an active channel is detected, the radio pauses on that channel until the channel is clear. Then after a 2-second delay, the radio resumes scanning. Pressing **PTT** or **BOOST** while the scan is paused on a channel lets you transmit on that channel.

To turn on channel scan:

Press **MENU/☺**. The radio displays **SCAN**. Press **ENTER/🔒**. The channel number changes as the radio rapidly cycles through the channels.

Use the radio in Standard (not Group) mode when you need to be able to communicate with radios that do not have the group feature.

Talking on Your Radio

- To talk to others using the radio:
1. Press and hold **PTT** or **BOOST** and speak in a clear, normal voice about 2-3 inches away from the microphone. While you transmit, **TXHI** or **TXLO** appears on the display according to the type of channel. To avoid cutting off the first part of your transmission, pause slightly after pressing **PTT** or **BOOST** before you start talking.
 2. When you finish speaking, release **PTT** or **BOOST**. You can now receive incoming

calls. While receiving, **RX** appears on the display.

Note:

- When you press **BOOST**, **BOOST** appear on the display. The radio transmits at maximum power when a **GMRS** channel is selected.
- If **BOOST**, **PTT** or **VOX** is continuously used, 1 minute after you start using the feature the transmission stops and you hear a timeout error tone.

Monitor Mode Feature

Your radio lets you listen for weak signals on the current channel at the press of a key.

To turn on the Monitor mode:

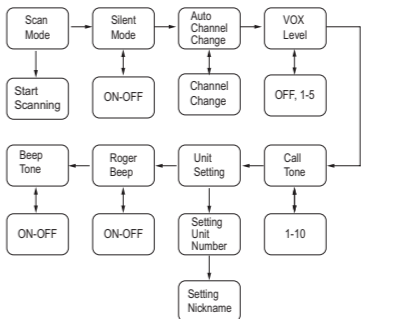
- Press and hold **LIGHT/MON** for 2 seconds until two beeps sound for continuous listening. The receiver circuit stays open, so you hear both the noise and weak signals.

To turn off Monitor mode:

Press **LIGHT/MON** to return to the previous mode. **MON** and **RX** disappear.

Navigating through the Normal Menu

Your radio has a Menu function to access advanced features. In order to use Auto Channel Change, you need to set your radio to Group mode.



1. To enter the menu, press **MENU/☺**.
2. Press **MENU/☺** again to advance through the menu. After the last menu item, the radio exits to the previous mode.
3. Other ways to exit the Menu function are:
 - a. Press **PTT**, **BOOST**, **LIGHT/MON**, **D CALL**, **WX/ALERT** or **TONE/GROUP**.
 - b. Wait 10 seconds until the radio automatically returns to the previous mode.

Setting Silent Mode

When you turn on Silent mode, all incoming calls are muted, the display backlight flashes, and the channel indicator displays **SLNT** and **CALL** to alert you to an incoming call. If you do not respond to the call within 15 seconds, the backlight turns off. The GMR5095 will also vibrate to remind you that you missed a call.

Silent mode is disabled for 15 seconds when you transmit, receive, or press any other button.

To set Silent mode:

1. Enter the menu. Advance through the menu until the **SLNT** displays, then press **ENTER/🔒**. The current setting flashes.
2. Press **CH ▲** to display **on**, then press **ENTER/🔒**

Note: To prevent unwanted silent alerts, be sure to use a Privacy Code or Group Code whenever you use the Silent mode feature.

You can hear the received voice when you turn on channel scan and an active channel is detected, even during Silent mode.

Missed Call Alerts

If you receive an incoming call while Silent mode is on and do not respond, the radio will turn on the Missed Call icon. If you are using Group mode, the radio will also indicate who made the call.

The GMR5095 will also remind you of a missed call by vibrating every minute after the call for 3 minutes.

Voice Operated Transmission

Your radio is equipped with a user selectable Voice Operated Transmitter (VOX) that can be used for automatic voice transmissions. The VOX feature is designed to be used with a headset with a microphone. Initiate transmission by pushing into the remote microphone instead of pushing **PTT** and **BOOST**. To select the VOX level:

1. Press **MENU/☺**. Advance through the Menu until **VOX** appears on the display, then press **ENTER/🔒**. The current level (off, 1-5) flashes. Level **oF** (off) disables VOX, while levels 1-5 set the sensitivity of the VOX circuit.
2. Press either **CH ▲** or **▼** to reach the desired VOX sensitivity level, then press **ENTER/🔒**. Use level 1 for increased sensitivity to voice in normally quiet environments, and use a higher level to reduce undesired activation in very noisy environments.

Transmitting a Call Tone

Your radio is equipped with 10 selectable call tones that are transmitted when you press **D CALL** in Standard mode.

The selected tone also will be heard when someone places a direct call to you.

To select a call tone:

1. Press **MENU/☺**. Advance through the menu until **CALL** appears, then press **ENTER/🔒**. The current call tone number (1-10) flashes.
2. Press **CH ▲** or **▼** to increase or decrease the number to the desired call

tone. Each tone will be heard through the speaker. Press **ENTER/🔒** to select a call tone.

To transmit the selected call tone, press **D CALL**. The selected tone is transmitted for a fixed length of time. Press **PTT** or **BOOST** to cancel.

Roger Beep

Roger Beep is a beep that is sent to notify the end of transmission (both PTT and VOX transmission). You can hear Roger Beep through the speaker when both Roger Beep and Beep Tone are on. When Roger Beep is on and Beep Tone is off, you do not hear Roger Beep, but it is transmitted to your party.

To adjust Roger Beep, press **MENU/☺**. Advance through the menu until **RGR** appears, then press **ENTER/🔒**. The current setting flashes.

To turn off Roger Beep:

Press **CH ▼** to display **oF**, then press **ENTER/🔒**

To turn on Roger Beep:

Press **CH ▲** to display **on**, then press **ENTER/🔒**

Adjusting the Sound (Beep Tone)

Your radio sounds a beep each time you press a key (except for **PTT** and **BOOST**).

To adjust the sound, press **MENU/☺**. Advance through the menu until **TONE** appears, then press **ENTER/🔒**. The current setting flashes.

To turn off the beep:

Press **CH ▼** to display **oF**, then press **ENTER/🔒**

To turn on the beep:

Press **CH ▲** to display **on**, then press **ENTER/🔒**

Key Lock

Press and hold the **ENTER/🔒** until **LOCK** appears.

To turn Keylock off, press and hold **ENTER/🔒** again.

Note:

- If Keylock is on, the radio can still receive transmissions. Use **D CALL** in Standard mode, **VOL ▲** or **▼**, **PTT**, **BOOST**, **LIGHT/MON**, and **MENU/☺** to turn the radio on or off.
- The radio retains the keylock status even when you cycle power.

Using the Flashlight

You can use this radio in an emergency. If you press **LIGHT/MON**, the radio turns on the high-intensity LED flashlight on your radio. Depending on how you set it up, the LED functions as a flashlight, flashes "S O S" in international Morse Code, is always on, or is off.

Note: Your radio operates normally when the SOS strobe is activated.

1. Press **LIGHT/MON** while this light is turned off, the Strobe Light emits the SOS signal. (Strobe SOS mode)
2. And then, press **LIGHT/MON** once more, it will turn on continuously. (Always On mode)
3. And then, press **LIGHT/MON** while Always On mode, the light will be turned off.

Automatic Power Save Feature

Your radio has a unique circuit designed to dramatically extend the life of the battery. If you do not transmit and do not receive an incoming call within 3 seconds, your radio switches to the Power Save mode. The radio is still able to receive transmissions in this mode.

LCD Backlight

The LCD Backlight automatically turns on when any key (except for **PTT** and **BOOST**) is pressed. The LCD remains lit for 10 seconds before turning off.

USING THE WEATHER RADIO

Your radio can receive weather broadcasts from the NOAA National Weather Service. When in Weather Radio Alert mode, the system functions as it does in Standard mode or Group mode but also monitors the selected weather channel for alerts when not communicating. While using the Weather Radio, you are not able to receive FRS communications.

1. To turn on the Weather Radio Broadcast mode, press **WX/ALERT**. *WX* appears.
2. Press **CH ▲** or **▼** to increase or decrease the number to the desired Weather Channel.
3. To exit the Weather Radio Broadcast mode, press **WX/ALERT**. *WX* disappears.

When in the Weather Radio Broadcast mode, you can only set the Beep Tone from the Menu mode.

Choosing an Emergency/Weather Channel

There are 7 NOAA channel frequencies available and these frequencies are common between the US and Canada. You need to know what frequency is being transmitted in your location.

1. Press and hold **WX/ALERT**. **ALERT** appears.
2. When the unit receives a warning signal, it beeps for 5 seconds. **ALERT** and channel indicator flash.
3. To turn off Weather Alert, press and hold **WX/ALERT**. **ALERT** disappears.

- When Weather Alert is activated, the highest priority is given to this function. It checks the weather alert signals every 7 seconds. When the unit finds a warning signal, it switches to the Warning Receive mode automatically.
- Weather Alert is activated even if Beep Tone is off.

NOAA Weather Radio Frequency List:

Chan.	Freq. (MHz)	Chan.	Freq. (MHz)
1	162.550	5	162.450
2	162.400	6	162.500
3	162.475	7	162.525
4	162.425		

SPECIFICATIONS

Item	Specification
Channels	22 FRS/7 Weather
Privacy Codes	38 Sub-Codes
	83 DCS Codes
Operating Frequency (MHz)	
GMRS/FRS:	462.5500 - 467.7125
WX:	162.4000 - 162.5500
Power Source	Per radio: 3 AA NiMH Batteries (700 mAh)
Range (Chan.)	Miles
1-7	Up to 18 (up to 50 with BOOST)
8-14	Up to 5
15-22	Up to 18 (up to 50 with BOOST)
Battery Life (Hours)	8.5 Hours (typical) – NiMH Batteries (5/5/90 duty cycle)

FREQUENCIES

Frequency Chart

CH.	Freq.	Cross-Ref.	CH.	Freq.	Cross-Ref.
1	462.5625	FRS & GMRS 1	12	467.6625	FRS 12
2	462.5875	FRS & GMRS 2	13	467.6875	FRS 13
3	462.6125	FRS & GMRS 3	14	467.7125	FRS 14
4	462.6375	FRS & GMRS 4	15	462.5500	GMRS 11
5	462.6625	FRS & GMRS 5	16	462.5750	GMRS 8
6	462.6875	FRS & GMRS 6	17	462.6000	GMRS 12
7	462.7125	FRS & GMRS 7	18	462.6250	GMRS 9
8	467.5625	FRS 8	19	462.6500	GMRS 13
9	467.5875	FRS 9	20	462.6750	GMRS 10
10	467.6125	FRS 10	21	462.7000	GMRS 14
11	467.6375	FRS 11	22	462.7250	GMRS15

Note: This product is considered FRS only with 22 FRS channels in the US market. It is considered a GMRS product in the Canadian market.

CTCSS & DCS CODES

CTCSS Chart (Hz)

Code	Freq.	Code	Freq.	Code	Freq.
oF	OFF	13	103.5	26	162.2
1	67.0	14	107.2	27	167.9
2	71.9	15	110.9	28	173.8
3	74.4	16	114.8	29	179.9
4	77.0	17	118.8	30	186.2
5	79.7	18	123.0	31	192.8
6	82.5	19	127.3	32	203.5
7	85.48	20	131.8	33	210.7
8	88.5	21	136.5	34	218.1
9	91.5	22	141.3	35	225.7
10	94.8	23	146.2	36	233.6
11	97.4	24	151.4	37	241.8
12	100.0	25	156.7	38	250.3

DSC Code List

Tone No.	Octal Code	Tone No.	Octal Code	Tone No.	Octal Code
39	023	67	174	95	445
40	025	68	205	96	464
41	026	69	223	97	465
42	031	70	226	98	466
43	032	71	243	99	503
44	043	72	244	100	506
45	047	73	245	101	516
46	051	74	251	102	532
47	054	75	261	103	546
48	065	76	263	104	565
49	071	77	265	105	606
50	072	78	271	106	612
51	073	79	306	107	624
52	074	80	311	108	627
53	114	81	315	109	631
54	115	82	331	110	632
55	116	83	343	111	654
56	125	84	346	112	662
57	131	85	351	113	664
58	132	86	364	114	703

Hazardous Environments

Do not operate the radio in hazardous environments. Explosion or fire may result. Do not operate the radio near unshielded electrical blasting caps.

Under certain conditions, radios can interfere with blasting operations and may cause an explosion. Turn your radio OFF to prevent accidental transmission when in a blasting area or in areas posted: "Turn off two-way radio." Construction crews often use remote control RF devices to set off explosives.

WARNING! Read this information before using the radio. In August 1996 the Federal Communications Commission (FCC) of the United States with its action in Report and Order FCC 96-326 adopted an updated safety standard for human exposure to radio frequency electromagnetic energy emitted by FCC regulated transmitters.

Those guidelines are consistent with the safety standard previously set by both U.S. and international standards bodies. The design of the radio complies with the FCC guidelines and these international standards.

Never allow children to operate the radio without adult supervision and the knowledge of the following guidelines.

WARNING! It is up to the user to properly operate this radio transmitter to insure safe operation. Please adhere to the following:

MAINTENANCE

To be safe and sure:

- Never open your radio's case.
- Never change or replace anything in your radio except the batteries.

Care and Safety

To clean the radio, use a soft cloth dampened with water. Do not use cleaners or solvents because they can harm the body of the unit and leak inside, causing permanent damage. Use a dry, lint-free cloth to clean the battery contacts. Do not submerge the unit in water. If the unit gets wet, turn it off and remove the batteries immediately.

Dry the battery compartment with a soft cloth to minimize potential water damage. Leave the battery compartment cover off overnight to ensure complete drying. Do not use the radio until the unit is completely dry.

Your radio might cause TV or radio interference even when it is operating properly. To determine whether your radio is causing the interference, turn it off. If the interference goes away, your radio is causing it. Try to eliminate the interference by moving your radio away from the receiver. If you cannot eliminate the interference, the FCC requires that you stop using the radio.

Do not use the radio with a damaged antenna. If a damaged antenna comes into contact with the skin, a minor burn may result. Please contact your local dealer for a replacement antenna.

Functionnement de l'appareil, lorsque porté sur le corps. Cet appareil a été testé et s'est avéré conforme aux normes d'Industrie Canada et approuvé pour le port sur le corps à l'aide des accessoires Uniden inclus et conçus pour cet appareil. L'utilisation d'accessoires ne respectant pas les exigences d'exposition RF d'Industrie Canada doit être évitée.

FCC Compliance

This device complies with Part 15 of the FCC rules. Operation is subjected to the following two conditions: (1) this device may not cause harmful interference, and (2) this device must accept any interference received, including interference that may cause undesired operation.

Changes or modifications not expressly approved by the party responsible for compliance could void your authority to operate the equipment.

Avis de conformité à la FCC : Ce dispositif a été testé et s'avère conforme à l'article 15 des règlements de la Commission fédérale des communications (FCC). Ce dispositif est soumis aux conditions suivantes: 1) Ce dispositif ne doit pas causer d'interférences nuisibles et; 2) Il doit pouvoir supporter les parasites qu'il reçoit, incluant les parasites pouvant nuire à son fonctionnement.

Tout changement ou modification non approuvé expressément par la partie responsable pourrait annuler le droit à l'utilisateur de faire fonctionner cet équipement.

IC Compliance

This device complies with Industry Canada license-exempt RSS standard(s). Operation is subject to the following two conditions:

1. This device may not cause interference, and
2. This device must accept any interference, including interference that may cause undesired operation of the device.

Changes or modifications not expressly approved by the party responsible for compliance could void your authority to operate the equipment.

Cet appareil est conforme aux normes RSS exemptes de licences d'Industrie Canada. Son fonctionnement est soumis aux deux conditions suivantes :

1. cet appareil ne doit pas causer d'interférences nuisibles et
2. Cet appareil doit accepter toute interférence, y compris les interférences susceptibles de provoquer un fonctionnement non désiré de l'appareil.

Tout changement ou modification non approuvé expressément par la partie responsable pourrait annuler le droit à l'utilisateur de faire fonctionner cet équipement.

For body worn operation, this device has been tested and meets the Industry Canada RF exposure guidelines when used with Uniden accessories supplied or designated for this product. Use of other accessories may not ensure compliance with Industry Canada RF exposure guidelines.

ONE YEAR LIMITED WARRANTY

Important: Save your receipt! Evidence of original purchase is required for warranty service.

WARRANTOR: UNIDEN AMERICA CORPORATION ("Uniden")

ELEMENTS OF WARRANTY: Uniden warrants, for one year, to the original retail owner, this Uniden Product to be free from defects in materials and craftsmanship with only the limitations or exclusions set out below.

WARRANTY DURATION: This warranty to the original user shall terminate and be of no further effect 12 months after the date of original retail sale. The warranty is invalid if the Product is: (A) damaged or not maintained as reasonable or necessary, (B) modified, altered, or used as part of any conversion kits, sub-assemblies, or any configurations not sold by Uniden, (C) improperly installed, (D) serviced or repaired by someone other than an authorized Uniden service center for a defect or malfunction covered by this warranty, (E) used in any conjunction with equipment or parts or as part of any system not manufactured by Uniden, or (F) installed or programmed by anyone other than as detailed by the owner's manual for this product.

STATEMENT OF REMEDY: In the event that the product does not conform to this warranty at any time while this warranty is in effect, warrantor will either, at its option, repair or replace the defective unit and return it to you without charge for parts, service, or any other cost (except shipping and handling) incurred by warrantor or its representatives in connection with the performance of this warranty. Warrantor, at its option, may replace the unit with a new or refurbished unit.

THE LIMITED WARRANTY SET FORTH ABOVE IS THE SOLE AND ENTIRE WARRANTY PERTAINING TO THE PRODUCT AND IS IN LIEU OF AND EXCLUDES ALL OTHER WARRANTIES OF ANY NATURE WHATSOEVER, WHETHER EXPRESS, IMPLIED OR ARISING BY OPERATION OF LAW, INCLUDING, BUT NOT LIMITED TO ANY IMPLIED WARRANTIES OF MERCHANTABILITY OR FITNESS FOR A PARTICULAR PURPOSE. THIS WARRANTY DOES NOT COVER OR PROVIDE FOR THE REIMBURSEMENT OVERPAYMENT OF INCIDENTAL OR CONSEQUENTIAL DAMAGES.

Some states do not allow this exclusion or limitation of incidental or consequential damages so the above limitation or exclusion may not apply to you.

LEGAL REMEDIES: This warranty gives you specific legal rights, and you may also have other

rights which vary from state to state. This warranty is void outside the United States of America and Canada.

PROCEDURE FOR OBTAINING PERFORMANCE OF WARRANTY: If, after following the instructions in the owner's manual you are certain that the Product is defective, pack the Product carefully (preferably in its original packaging). Disconnect the battery from the Product and separately secure the battery in its own separate packaging within the shipping carton. The Product should include all parts and accessories originally packaged with the Product. Include evidence of original purchase and a note describing the defect that has caused you to return it. The Product should be shipped freight prepaid, by traceable means, to warrantor at:

Uniden America Service
C/O Saddle Creek
743 Henrietta Creek Road, Suite 100
Roanoke, TX 76262

Uniden[®]