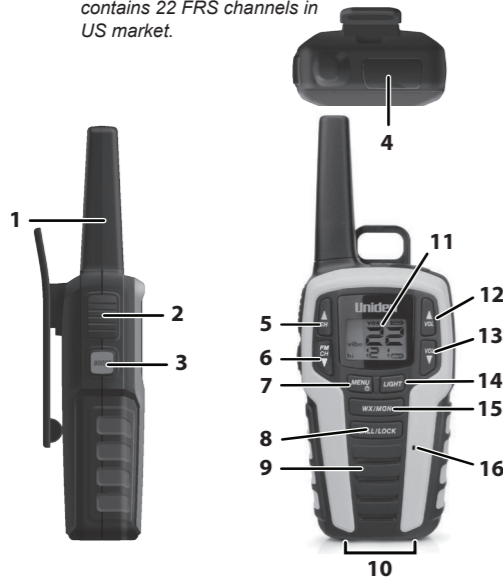


SX409-3CKEM

- 22 FRS Channels
- 7 Weather Channels
- 121 Privacy Codes
- Internal VOX Circuitry
- Up to 40 Mile Range*
- Backlit LCD Display
- Headset Jack
- 10 Selectable Call Tone Alerts
- Power Boost PTT
- Roger Beep
- Belt Clips
- FM Radio
- Battery Charging Cradles with USB adapters
- Battery Level Meter
- 3 rechargeable AA NiMH batteries per radio
- 14 Hours Battery Life
- Micro USB Charging Port
- Channel Monitor
- Channel Scan
- Vibrate
- NOAA Emergency / Weather Channels with ALERT
- Emergency Strobe
- Splash Proof (JIS4)

* Range may vary depending on environmental and/or topographical conditions.

* This product is considered as FRS only product and contains 22 FRS channels in US market.



1	Antenna	9	Speaker
2	Push to Talk (PTT)	10	Charging Contacts
3	Boost (Change transmission power from 0.5W to 1W.)	11	LCD
4	MicroUSB port and earbud jack	12	Volume Up
5	Channel Up	13	Volume Down
6	Channel Down/FM	14	Light
7	MENU/Power	15	WX/MON
8	Call/Lock	16	Microphone

Congratulations on your purchase of a Uniden SX409 series radio. This lightweight, palm-sized radio is a state-of-the-art device, equipped with many valuable features. Use it at sporting events, to stay in contact with family and friends, hiking, skiing, outdoors, or in a neighborhood watch for vital communication.

PACKAGE CONTENTS

Each radio uses 3 AA rechargeable Ni-MH batteries, included. The SX409 kit also contains the following:

- Radios (3)
- Belt Clips (3)
- Charging cradle with micro USB jack (3)
- AC adapters with single micro USB connector for charging cradle (3)
- 3 AA NiMH batteries per radio
- Printed Materials

If your model number contains "CK," it contains a charging kit (including a charging cradle).

Refer to the packaging for other specific contents.

INSTALL THE BATTERY

The SX409 series radios each use 3 rechargeable NiMH AA batteries (included).

To install the batteries:

1. Remove the belt clip if necessary.
2. Unscrew and remove the battery compartment cover.
3. Install the batteries into the battery compartment. Be certain to follow the instructions indicated inside the battery compartment. Installing the batteries incorrectly will prevent the unit from operating.
4. Replace and screw in the battery compartment cover.
5. Replace the belt clip if necessary.

Note: If the rubber seal appears worn, nicked, or dried out, replacement seals are available from www.uniden.com.

BATTERY LEVEL AND LOW BATTERY ALERT

This unit has a battery level meter on the display to indicate the status of the batteries. When the battery in the unit is low, the battery level meter icon flashes. Recharge the batteries immediately.

CHARGING THE RADIO

Two radios can be charged directly by using the supplied charging cradle. A single radio can charge using the microUSB port to connect to a USB power source. For fastest charging, turn off the radio before charging.

Warning! To avoid the risk of personal injury or property damage from fire or electrical shock, only use the Uniden accessories specifically designated for this product.

Using the microUSB Port

1. Connect the included AC adapter with microUSB connector cable to the radio's microUSB port. Connect the other end to an outlet that provides USB charging power (NOT to a USB hub).
2. Charge the batteries for 16 hours until the battery indicator either stops flashing.

Using the Charging Cradle

1. Connect the included AC adapter with USB connector cable to the charging cradle's microUSB port. Connect the other end to a standard 120V AC wall outlet.
2. Set the charging cradle on the desk or tabletop, and place the radio in the charging cradle with the keypad facing forward.
3. Charge the batteries for 14 hours.

Note:

- Use only the supplied batteries, charger, and AC adapter or approved accessories from Uniden.
- Charge time may vary depending on the battery life remaining.
- The batteries must be installed for the unit to operate, even if the unit is also connected to external power.
- If battery power is low, you cannot operate the radio even using external power. Allow the batteries to charge before using. If you try to transmit while power is low, the radio will automatically turn off.

USING THE RADIO

Turning the Radio On and Adjusting the Volume

1. Press and hold **MENU/** to turn the radio ON. Increase the speaker volume by pressing **VOL**. To decrease the volume, press **VOL**.
2. Press and hold **MENU/** again to turn the radio OFF.

Adjusting the Sound (Key Beeps)

Your radio emits a beep each time one of the keys (except for the **PTT** and **CALL/LOCK**) is pressed. To turn this sound OFF, press and hold **CALL/LOCK** while turning ON the radio. Repeat to turn the sound back ON.

Choosing a Channel

Your radio has 22 channels and 121 Privacy codes you can use to talk to others. In order to speak to someone, each of you must be set to the same channel and Privacy code.

With the radio in "Normal" operating mode, press the **CH** / **CH** keys to increase or decrease the channel number displayed.

Note: Channels 1-7 have a typical range of up to 32 miles. Channels 8-14 have a typical maximum range of up to 5 miles. Channels 15-22 have a typical range of up to 32 miles. You can see which GMRS or FRS channel is active by the icon. The **hi**

icon is displayed while on GMRS channels, and the **lo** icon is displayed while on FRS channels.

Talking on Your Radio

To talk to others using the radio:

1. Press and hold the **PTT** button and speak in a clear, normal voice about 2-3 inches away from the microphone. While you are transmitting, the **tx** icon appears on the display. To avoid cutting off the first part of your transmission, pause slightly after pressing the **PTT** button before you start talking.
2. When you have finished speaking, release the **PTT** button. You can now receive incoming calls. While receiving, **rx** displays.

Monitor Mode Feature

Your radio allows you to listen for weak signals on the current channel at the press of a key.

To turn ON Monitor mode:

Press and hold **WX/MON** for 2 seconds until two beeps sound. The receiver circuit stays open, and both noise and weak signals can be heard. The **rx** icon blinks.

To turn OFF Monitor mode:

Press and hold **WX/MON** for 2 seconds to return to "Normal" mode; two beeps sound and the **rx** icon stops blinking and disappears.

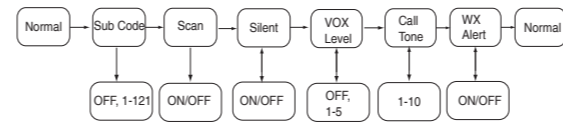
FM Radio Feature

Your radio allows you to listen to FM radio transmissions.

1. Press and hold **CH** to activate the FM radio. (What displays?)
2. Press **CH** to scroll through the higher FM frequencies one at a time. Press and hold **CH** to quickly scroll through the higher FM frequencies.
3. Press **CH** to scroll through the lower FM frequencies one at a time.
4. Press and hold **CH** to exit the FM Radio feature.

Advanced Functions (Menus)

Press **MENU/** to access your radio's advanced functions.



1. Press **MENU/** to enter the menus.
2. Additional presses of **MENU/** advance you through the menus until exiting to "Normal" operating mode (a double beep sounds).

You can also press any key except **CH** / **CH** or **VOL** / **VOL** or **PTT** to exit Menu mode.

Privacy Code

Each of the channels 1-22 may have a Privacy code (**oF** or 1-121) selected. Code **oF** (OFF) indicates no Privacy code selected and your radio can receive a signal regardless of the code settings of the transmitting radio.

1. Press **MENU/** to enter **Menu** mode. The Privacy code indicator flashes.
2. Press **CH** / **CH** key to increase or decrease the Privacy code number displayed. You can also select **oF** (OFF) at this stage.
3. To exit the Menu, press the **MENU/** key to advance through the Menu until exiting to "Normal" mode.
4. Press any key other than **CH** / **CH** or **VOL** / **VOL** or **PTT** and the radio returns to Idle mode in 10 seconds.

Scan

Your radio has a channel scan feature that allows you to easily scan all 22 channels. When an active channel is detected, the radio pauses on that channel until the channel is clear. Then, after a 2 second delay, the radio continues scanning. Pressing the **PTT** button while the scan is paused on a channel allows you to transmit on that channel.

To turn ON channel scan:

1. Press **MENU/** repeatedly until the **scan...** icon and **oF** blink.
2. Press **CH** / **CH** to select Scan mode and press **MENU/** to start it.

To turn OFF channel scan:

1. To exit the Scan menu, press the **MENU/** key to advance through the Menu until exiting to "Normal" mode.
2. Press any key other than **CH** / **CH**, **VOL** / **VOL**, or **Flashlight** to turn channel scan off in 10 seconds.

Voice Operated Transmission

Your radio is equipped with a user selectable Voice Operated

Transmitter (VOX) that can be used for automatic voice transmissions. The VOX feature is designed to be used with a headset with a microphone. Transmission is initiated by speaking into the microphone instead of pressing **PTT**.

To select VOX level:

1. Press **MENU/** repeatedly until the **vox** icon and the VOX sensitivity level (**oF**, 1-5) blink.
2. Press **CH** / **CH** to change the VOX sensitivity levels. Use level 1 to increase sensitivity to voice in normally quiet environments, and use a higher level to reduce undesired activation in very noisy environments.
3. To exit the Menu, press the **MENU/** key to advance through the Menu until exiting to "Normal" mode.

Call Tone

Your radio is equipped with 10 selectable call tones that are transmitted when **CALL/LOCK** is pressed.

To select a call tone:

1. Press **MENU/** repeatedly until the **CALL** icon and Call Tone start to blink on the display.
2. Press **CH** / **CH** to move through the available call tones. Each tone will be heard through the speaker but will not be transmitted. Cycle through these tones and stay on the tone you want to select.
3. Exit Call Tone to set the selected tone.

Setting Silent Mode

When you turn on Silent mode, all incoming calls are muted; if you receive a call, the unit vibrates and the backlight flashes. If you do not respond to the call within 15 seconds, the backlight turns off. The radio will also vibrate to remind you that you missed a call. Silent mode is disabled for 15 seconds when you transmit, receive, or press any other button.

Press **MENU/** repeatedly until **vibe** and the current setting start to blink on the display.

To turn ON Silent mode:

1. Press **CH** to turn Silent mode on; **on** displays.
2. To exit the Menu, press the **MENU/** key to advance through the Menu until exiting to "Normal" mode. **vibe** appears.

To turn OFF Silent mode:

1. Press **CH** to display **oF**.
2. To exit the Menu, press the **MENU/** key to advance through the Menu until exiting to "Normal" mode. **vibe** disappears.

Note: To prevent unwanted silent alerts, be sure to use a Privacy code whenever you use the Silent mode feature. You can hear the received voice when you turn on channel scan and an active channel is detected even during Silent mode.

Missed Call Alerts

If you receive an incoming call while Silent mode is on and do not respond, the radio will turn on the Missed Call icon.

The radio will additionally remind you of a missed call by vibrating every minute after the call for 3 minutes.

Key Lock

To lock the keypad:

Press and hold **CALL/LOCK**; displays.

These functions are not affected by Key Lock:

- Volume Adjust
- Call Tone Transmission
- PTT Transmission
- Boost
- Power Off
- Enter Monitor Mode
- Flashlight

To unlock the keypad:

Press and hold **CALL/LOCK** again; disappears.

Automatic Power Save

Your radio has a circuit designed to dramatically extend the life of the batteries. If there is no transmission or an incoming call within 3 seconds, your radio switches to Power Save mode. The radio is still able to receive transmissions in this mode.

LCD Backlight

The LCD Backlight automatically turns ON when any key (except the **PTT** button) is pressed. It stays lit for 10 seconds before turning OFF.

Roger Beep

Roger Beep is a beep sound that is sent to indicate the end of transmission (both PTT and VOX transmission). Roger Beep can be heard through the speaker when both Roger Beep and Key

Beep are set to ON. When Roger Beep is set to ON and Key Beep is set to OFF, Roger Beep will not be heard from the speaker but it will be transmitted to your party. When Roger Beep is set to OFF, Roger Beep will neither be heard nor transmitted.

To change Roger Beep setting:

Press and hold **VOL** while turning the radio on and off. If Roger Beep is ON, it will be turned off; if it is OFF, it will be turned on.

LED Flashlight with SOS

The radio is equipped with an LED flashlight that can also flash an SOS signal during emergencies. Press **LIGHT** to cycle through the options.

- Press - turn on flashlight. (Quick press - turn off flashlight)
- Press and hold - turn on SOS signal.
- From SOS - Press to turn off SOS signal and return to flashlight.
- From flashlight - Press to turn off flashlight.

Note: The flashlight will also work when the radio is off.

USING THE WEATHER RADIO

Your radio can receive weather broadcasts from the NOAA National Weather Service. When in the Weather Radio mode, the system functions as it does in standard mode but also monitors the selected weather channel for alerts when not communicating. While using the Weather Radio, you are not able to receive GMRS communications.

1. To turn on the Weather Radio Broadcast mode, press **WX/MON**. The appears.
2. Press **CH** / **CH** to increase or decrease the number to the desired Weather Channel.
3. To exit the Weather Radio Broadcast mode, press **WX/MON**. The disappears.

Choosing an Emergency/Weather Channel

There are 7 NOAA channel frequencies available and these frequencies are common between the US and Canada. You need to know what frequency is being transmitted in your location.

Press **MENU/** repeatedly until the **alert** icon and the current setting start to blink on the display.

To turn ON Weather Alert:

1. Press **CH** to display **on**.
2. To exit the Menu, press the **MENU/** key to advance you through the Menu until exiting to "Normal" mode. **alert** icon appears.
3. When the unit receives a warning signal, it beeps for 5 seconds. **alert** and channel indicator flash.

To turn OFF Weather Alert:

1. Press **CH** to display **oF**.
2. To exit the Menu, press the **MENU/** key to advance you through the Menu until exiting to "Normal" mode. **alert** icon disappears.
- When Weather Alert is activated, the highest priority is given to this function. It checks the weather alert signals every 5 seconds. When the unit finds a warning signal, it switches to the warning receive mode automatically.
- Weather Alert is activated even if Beep Tone is turned off.

NOAA Weather Radio Frequency List

Ch.	Frequency (MHz)	CH.	Frequency (MHz)
1	162.550	5	162.450
2	162.400	6	162.500
3	162.475	7	162.525
4	162.425		

SPECIFICATIONS

Channels	15 GMRS/7 FRS/7 Weather
Privacy Codes	38 Sub-Codes 83 DCS Codes
Operating Freq.	FRS 462.5500 - 467.7125 MHz WX 162.4000 - 162.5500 MHz
Power Source	3 AA Rechargeable NiMH Batteries
Range	Up to 40 miles

FREQUENCY CHART

CH.	Freq.	Cross-Ref.	CH.	Freq.	Cross-Ref.
1	462.5625	FRS & GMRS 1	12	467.6625	FRS 12
2	462.5875	FRS & GMRS 2	13	467.6875	FRS 13
3	462.6125	FRS & GMRS 3	14	467.7125	FRS 14
4	462.6375	FRS & GMRS 4	15	462.5500	GMRS 11
5	462.6625	FRS & GMRS 5	16	462.5750	GMRS 8
6	462.6875	FRS & GMRS 6	17	462.6000	GMRS 12
7	462.7125	FRS & GMRS 7	18	462.6250	GMRS 9
8	467.5625	FRS 8	19	462.6500	GMRS 13
9	467.5875	FRS 9	20	462.6750	GMRS 10
10	467.6125	FRS 10	21	462.7000	GMRS 14
11	467.6375	FRS 11	22	462.7250	GMRS15

* This product is considered as FRS only product in US market, the GMRS is for Canadian market.

DCS CODE LIST

Tone No.	Octal Code	Tone No.	Octal Code	Tone No.	Octal Code
39	023	67	174	95	445
40	025	68	205	96	464
41	026	69	223	97	465
42	031	70	226	98	466
43	032	71	243	99	503
44	043	72	244	100	506
45	047	73	245	101	516
46	051	74	251	102	532
47	054	75	261	103	546
48	065	76	263	104	565
49	071	77	265	105	606
50	072	78	271	106	612
51	073	79	306	107	624
52	074	80	311	108	627
53	114	81	315	109	631
54	115	82	331	110	632
55	116	83	343	111	654
56	125	84	346	112	662
57	131	85	351	113	664
58	132	86	364	114	703
59	134	87	365	115	712
60	143	88	371	116	723
61	152	89	411	117	731
62	155	90	412	118	732
63	156	91	413	119	734
64	162	92	423	120	743
65	165	93	431	121	754
66	172	94	432		

CTCSS Chart (Hz)

Code	Freq.	Code	Freq.	Code	Freq.
oF	OFF	13	103.5	26	162.2
1	67.0	14	107.2	27	167.9
2	71.9	15	110.9	28	173.8
3	74.4	16	114.8	29	179.9
4	77.0	17	118.8	30	186.2
5	79.7	18	123.0	31	192.8
6	82.5	19	127.3	32	203.5
7	85.48	20	131.8	33	210.7
8	88.5	21	136.5	34	218.1
9	91.5	22	141.3	35	225.7
10	94.8	23	146.2	36	233.6
11	97.4	24	151.4	37	241.8
12	100.0	25	156.7	38	250.3

MAINTENANCE

To be safe and sure:

- Never open your radio's case.
- Never change or replace anything in your radio except the batteries.

Care and Safety

To clean the radio, use a soft cloth dampened with water. Do not use cleaners or solvents because they can harm the body of the unit and leak inside, causing permanent damage. Use a dry, lint-free cloth to clean the battery contacts. Do not submerge the unit in water. If the unit gets wet, turn it off and remove the batteries immediately.

Dry the battery compartment with a soft cloth to minimize potential water damage. Leave the battery compartment cover off overnight to ensure complete drying. Do not use the radio until the unit is completely dry.

Your radio might cause TV or radio interference even when it is operating properly. To determine whether your radio is causing the interference, turn it off. If the interference goes away, your radio is causing it. Try to eliminate the interference by moving your radio away from the receiver. If you cannot eliminate the interference, the FCC requires that you stop using the radio.

Hazardous Environments

Do not operate the radio in hazardous environments. Explosion or fire may result. Do not operate the radio near unshielded electrical blasting caps.

Under certain conditions, radios can interfere with blasting operations and may cause an explosion. Turn your radio OFF to prevent accidental transmission when in a blasting area or in areas posted: "Turn off two-way radio." Construction crews often use remote control RF devices to set off explosives.

WARNING! Read this information before using the radio. In August 1996 the Federal Communications Commission (FCC) of the United States with its action in Report and Order FCC 96-326 adopted an updated safety standard for human exposure to radio frequency electromagnetic energy emitted by FCC regulated transmitters.

Those guidelines are consistent with the safety standard previously set by both U.S. and international standards bodies. The design of the radio complies with the FCC guidelines and these international standards.

Never allow children to operate the radio without adult supervision and the knowledge of the following guidelines.

FCC RF EXPOSURE

WARNING! It is up to the user to properly operate this radio transmitter to insure safe operation. Please adhere to the following:

Do not use the radio with a damaged antenna. If a damaged antenna comes into contact with the skin, a minor burn may result. Please contact your local dealer for a replacement antenna.

Hand-Held Operation (Held-to-Face)

This device was evaluated for typical hand-held (held-to-face) operations with a 1 inch spacing from the front of the radio. For hand-held operation, the radio should be held 1 inch from the user's face in order to comply with FCC RF exposure requirements.

Body-Worn Operation

This device was evaluated for body-worn operations with the supplied belt-clip accessory. (All necessary accessories are included in the package; any additional or optional accessories are not required for compliance with the guidelines.) Third party accessories (unless approved by the manufacturer) should be avoided as these might not comply with FCC RF exposure guidelines.

For body worn operation, this device has been tested and meets the Industry Canada RF exposure guidelines when used with Uniden accessories supplied or designated for this product. Use of other accessories may not ensure compliance with Industry Canada RF exposure guidelines.

Fonctionnement de l'appareil, lorsque porté sur le corps. Cet appareil a été testé et s'est avéré conforme aux normes d'Industrie Canada et approuvé pour le port sur le corps à l'aide des accessoires Uniden inclus et conçus pour cet appareil. L'utilisation d'accessoires ne respectant pas les exigences d'exposition RF d'Industrie Canada doit être évitée.

FCC PART15/ IC COMPLIANCE

FCC PART 15 COMPLIANCE

This device complies with Part 15 of the FCC rules. Operation is subjected to the following two conditions: (1) this device may not cause harmful interference, and (2) this device must accept any interference received, including interference that may cause undesired operation.

Changes or modifications not expressly approved by the party responsible for compliance could void your authority to operate the equipment.

Avis de conformité à la FCC : Ce dispositif a été testé et s'avère conforme à l'article 15 des règlements de la Commission fédérale des communications (FCC). Ce dispositif est soumis aux conditions suivantes: 1) Ce dispositif ne doit pas causer d'interférences nuisibles et; 2) Il doit pouvoir supporter les parasites qu'il reçoit, incluant les parasites pouvant nuire à son fonctionnement.

Tout changement ou modification non approuvé expressément par la partie responsable pourrait annuler le droit à l'utilisateur de faire fonctionner cet équipement.

IC COMPLIANCE

This device contains licence-exempt transmitter(s)/receiver(s) that comply with Innovation, Science and Economic Development Canada's licence-exempt RSS(s). Operation is subject to the following two conditions: 1. This device may not cause interference. 2. This device must accept any interference, including interference that may cause undesired operation of the device.

Changes or modifications not expressly approved by the party responsible for compliance could void your authority to operate the equipment.

Cet appareil contient des émetteurs / récepteurs exemptés de licence conformes aux RSS (RSS) d'Innovation, Sciences et Développement économique Canada. Le fonctionnement est soumis aux deux conditions suivantes: 1. Cet appareil ne doit pas causer d'interférences. 2. Cet appareil doit accepter toutes les interférences, y compris celles susceptibles de provoquer un fonctionnement indésirable de l'appareil.

Tout changement ou modification non approuvé expressément par la partie responsable pourrait annuler le droit à l'utilisateur de faire fonctionner cet équipement.

ONE-YEAR WARRANTY

IMPORTANT: SAVE YOUR RECEIPT! Evidence of original purchase is required for warranty service.

WARRANTOR: UNIDEN AMERICA CORPORATION ("Uniden")

ELEMENTS OF WARRANTY: Uniden warrants, for one year, to the original retail owner, this Uniden Product to be free from defects in materials and craftsmanship with only the limitations or exclusions set out below.

WARRANTY DURATION: This warranty to the original user shall terminate and be of no further effect 12 months after the date of original retail sale. The warranty is invalid if the Product is: (A) damaged or not maintained as reasonable or necessary, (B) modified, altered, or used as part of any conversion kits, sub-assemblies, or any configurations not sold by Uniden, (C) improperly installed, (D) serviced or repaired by someone other than an authorized Uniden service center for a defect or malfunction covered by this warranty, (E) used in any conjunction with equipment or parts or as part of any system not manufactured by Uniden, or (F) installed or programmed by anyone other than as detailed by the owner's manual for this product.

STATEMENT OF REMEDY: In the event that the product does not conform to this warranty at any time while this warranty is in effect, warrantor will either, at its option, repair or replace the defective unit and return it to you without charge for parts, service, or any other cost (except shipping and handling) incurred by warrantor or its representatives in connection with the performance of this warranty. Warrantor, at its option, may replace the unit with a new or refurbished unit.

THE LIMITED WARRANTY SET FORTH ABOVE IS THE SOLE AND ENTIRE WARRANTY PERTAINING TO THE PRODUCT AND IS IN LIEU OF AND EXCLUDES ALL OTHER WARRANTIES OF ANY NATURE WHATSOEVER, WHETHER EXPRESS, IMPLIED OR ARISING BY OPERATION OF LAW, INCLUDING, BUT NOT LIMITED TO ANY IMPLIED WARRANTIES OF MERCHANTABILITY OR FITNESS FOR A PARTICULAR PURPOSE. THIS WARRANTY DOES NOT COVER OR PROVIDE FOR THE REIMBURSEMENT OVERPAYMENT OF INCIDENTAL OR CONSEQUENTIAL

DAMAGES. Some states do not allow this exclusion or limitation of incidental or consequential damages so the above limitation or exclusion may not apply to you.

LEGAL REMEDIES: This warranty gives you specific legal rights, and you may also have other rights which vary from state to state. This warranty is void outside the United States of America and Canada.

PROCEDURE FOR OBTAINING PERFORMANCE OF WARRANTY: If, after following the instructions in the owner's manual you are certain that the Product is defective, pack the Product carefully (preferably in its original packaging). Disconnect the battery from the Product and separately secure the battery in its own separate packaging within the shipping carton. The Product should include all parts and accessories originally packaged with the Product. Include evidence of original purchase and a note describing the defect that has caused you to return it. The Product should be shipped freight prepaid, by traceable means, to warrantor at:

Uniden America Corporation
C/O Saddle Creek
743 Henrietta Creek Road, Suite 100
Roanoke, TX 76262

Uniden®