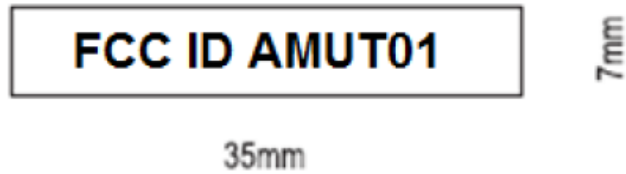
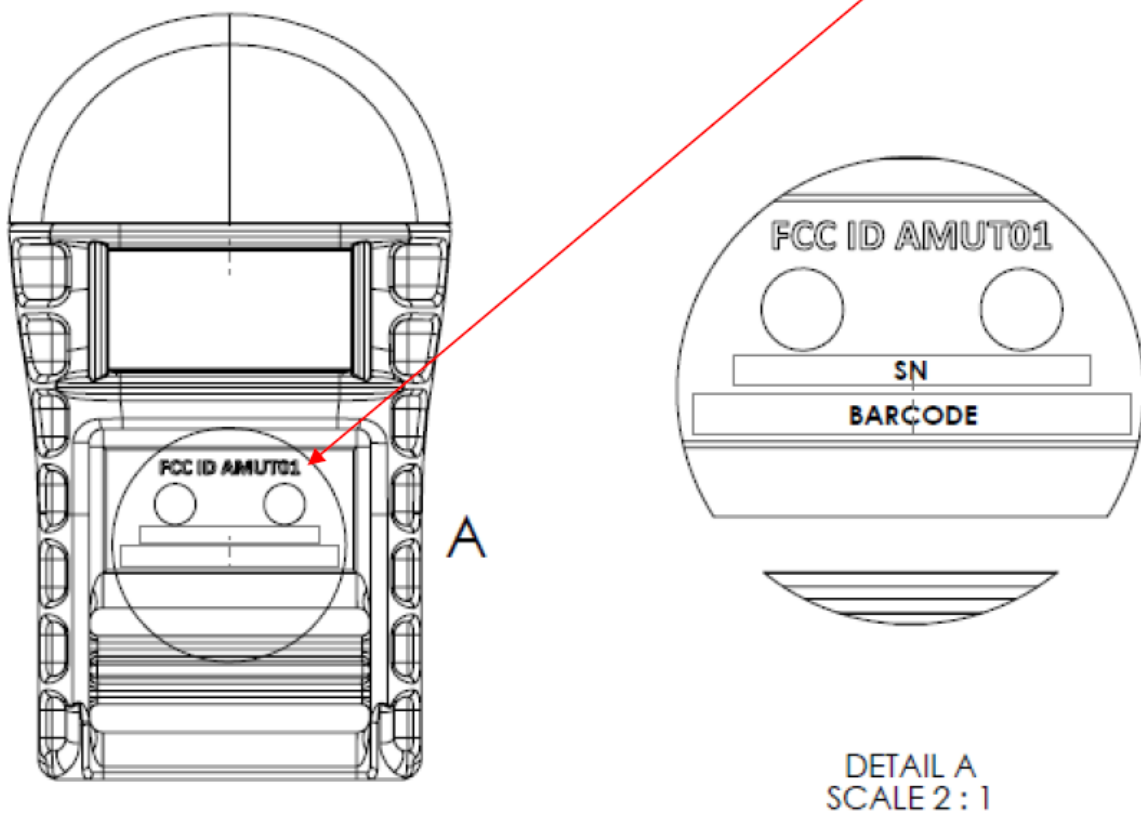


LABEL

The label is affixed on the module as shown below. The label material is PVC with a permanent adhesive.



H-TAG-LD tag, label with FCC ID:AMUT01 location



The statement according to FCC part 15 §15.19(a)(3) is placed in User's manual, page 3 (Application exhibit User_manual_25954_H) because of operational conditions of the Tag.