

PRODUCT GUIDE

CAUTION: To use this product properly' please read the user's guide before installation

Federal Communication Commission Interference Statement

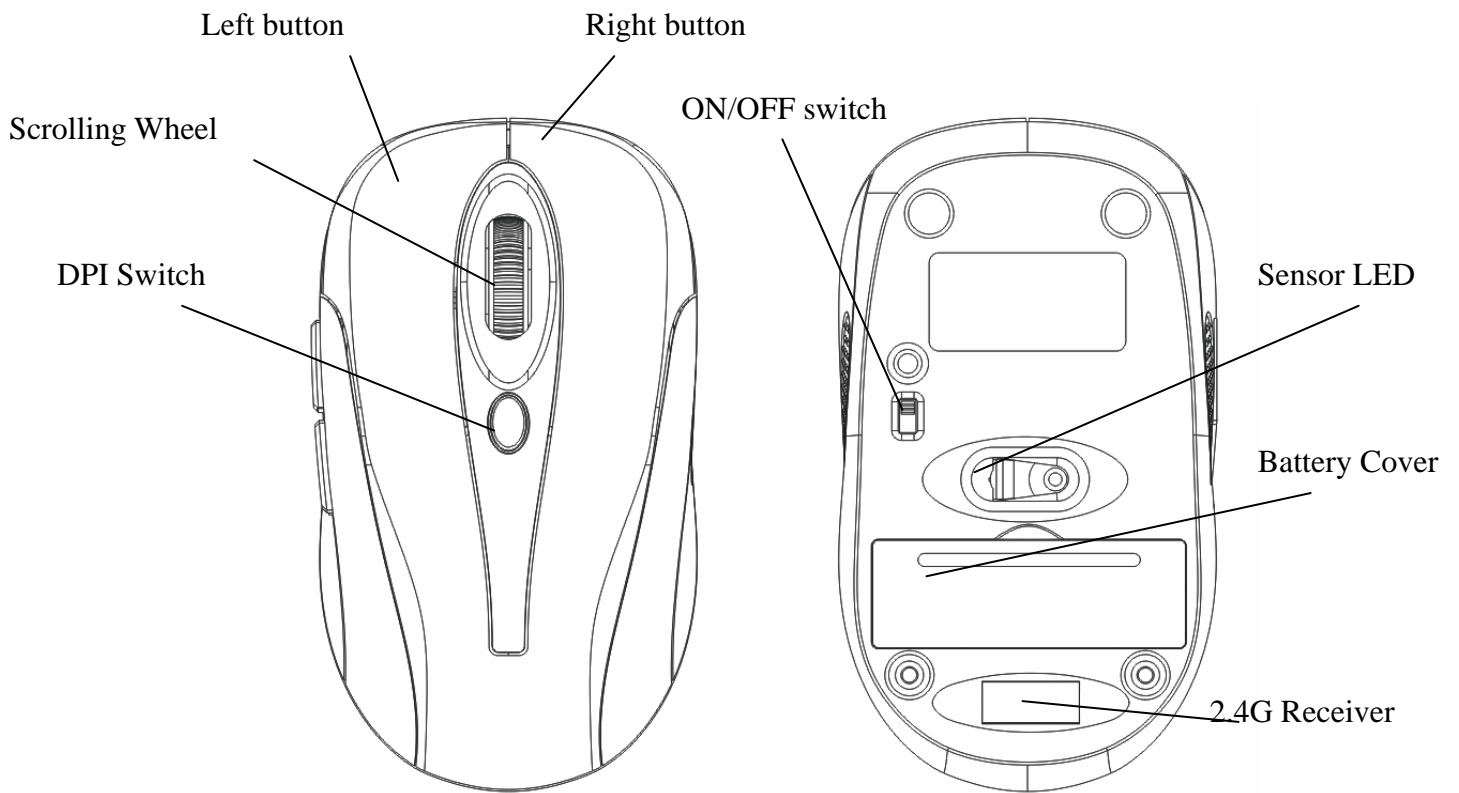
This equipment has been tested and found to comply with the limits for a Class B digital device, pursuant to Part 15 of the FCC Rules. These Limits are designed to provide reasonable protection against harmful Interference in a residential installation. This equipment generates, uses and can radiate radio. frequency energy and ,if not installed and used in accordance with the instructions, may cause harmful interference to radio communications. However , there is no guarantee that interference will not occur in a particular installation. If this equipment does cause harmful interference to radio or television reception, which can be determined by turning the equipment off and on, the user is encouraged to try to correct the interference by one of the following measures:

- Reorient or relocate the receiving antenna.
- Increase the separation between the equipment and receiver.
- Connect the equipment into an outlet on a circuit different from that to which the receiver is connected.
- Consult the dealer or an experienced radio/TV technician for help.

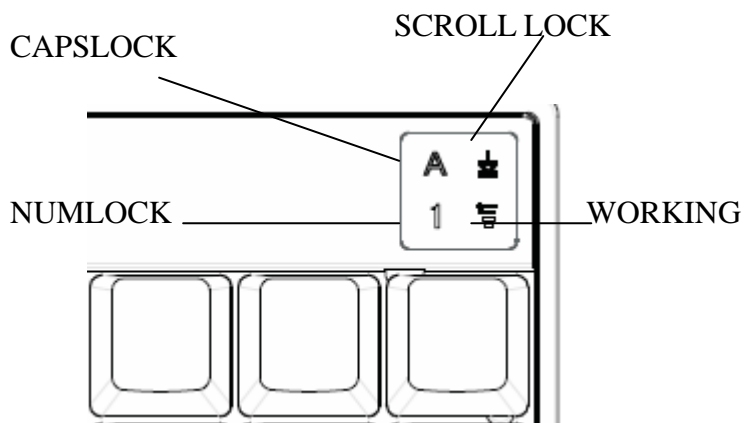
FCC Caution: Any changes or modifications not expressly approved by the party responsible for compliance could void the user's authority to operate this equipment.

This device complies with Part 15 of the FCC Rules. Operation is subject to the following two conditions:(1)This device may not cause harmful interference, and (2) this device must accept any interference received, including interference that may cause undesired operation.

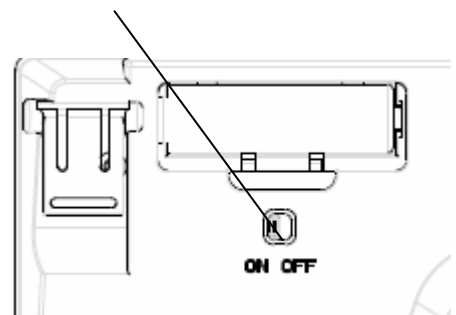
Functional Introduction



2.4G Wireless Mouse Functional Introduction



POWER SWITCH



2.4G Wireless Keyboard Functional Introduction

Working environment

1. Temperature (mouse and keyboard)

A. Working : 5°C ~ 55°C

B. Storing : -20°C ~ 60°C

2. Voltage: Keyboard 1.0-1.8V Mouse 2.0-3.4V

Setup the Connection between the Receiver and the Keyboard&Mouse.

1. Insert the batteries into the Mouse and Keyboard, then follow the steps below.

2. In the meantime, to take the 2.4G Wireless Receiver out from the mouse.

3. Plug the 2.4G Wireless Receiver into the USB port of your computer.

4. If the keyboard or mouse is not working, please put them into pairing mode .

5. Pairing: Must pair to the mouse first then to the keyboard.

Mouse Pairing:

A. Insert the batteries into the Mouse, Press down the scrolling wheel then open the POWER SWITCH, make the mouse enter into the mode of pairing(15 seconds later, the mouse into the normal mode, If need to enter into the pair mode, must press the scrolling wheel and power on again), And the SENSOR LED off.

B. Plug the 2.4G Wireless Receiver into the USB port of your computer.

C. Place the mouse close to the receiver within 30cm, When SENSOR LED on, Means paired success.

Keyboard Pairing:

A. Insert the batteries into the Keyboard, Open the POWER SWITCH, press 'ESC'+ '='+ '1' Three keys into the mode of pairing, WORKING indicator led flashes.

B. Plug the 2.4G Wireless Receiver into the USB port of your computer.

C. Place the mouse close to the receiver within 30cm, when the WORKING indicator led off, Means paired success.

6. When the keyboard working, WORKING indicator led flashes, Means the keyboard is working.

7. DPI Button: When the mouse working , click the DPI button can change the DPI with 800,1200,1600. The default DPI is 1200.