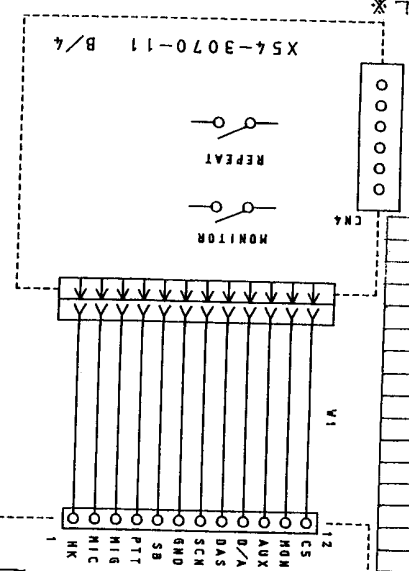
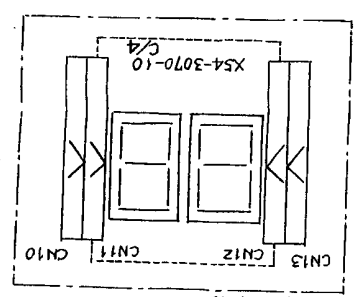


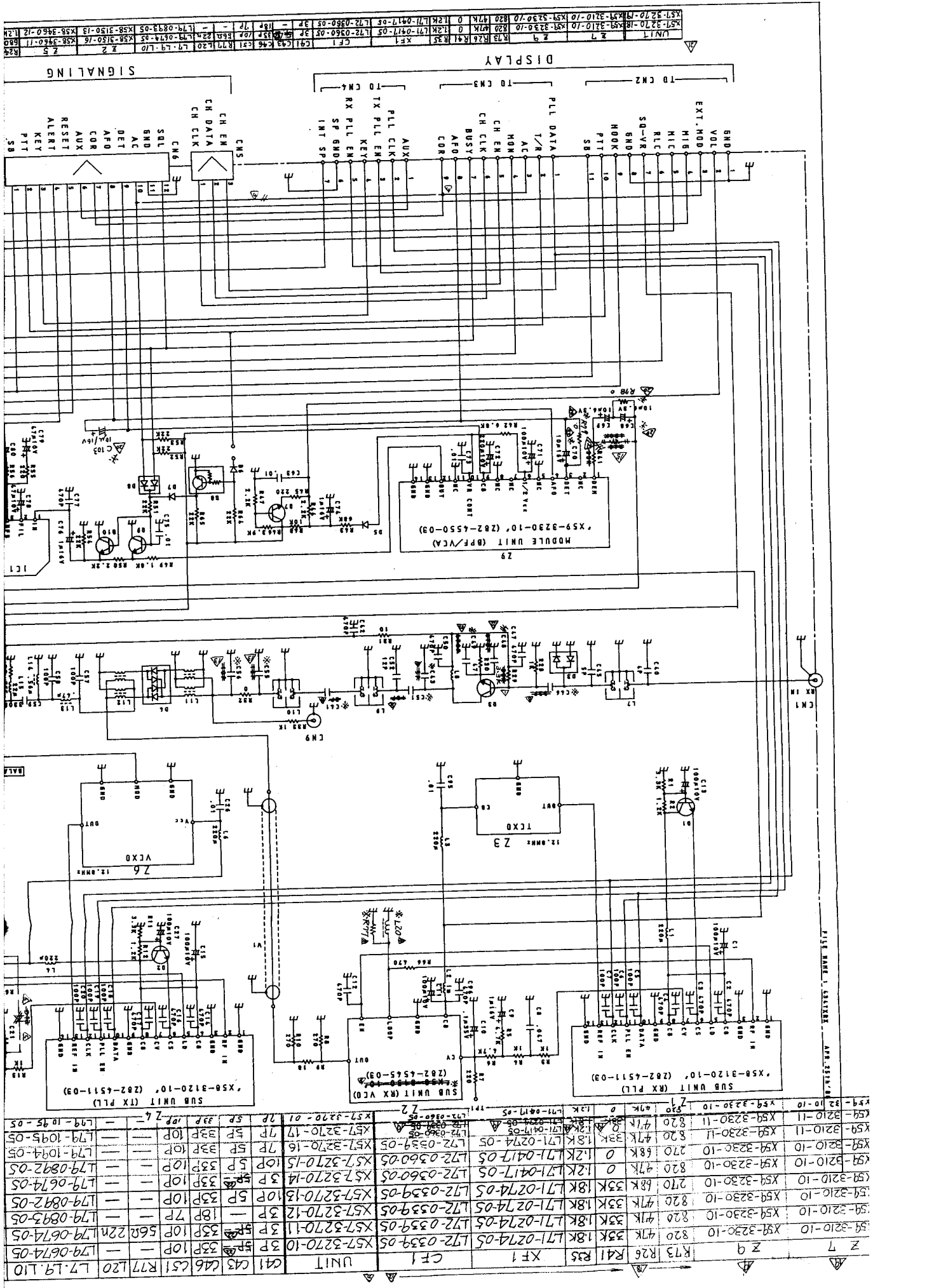
| | |
|----|----------|
| *1 | USED |
| *2 | NOT USED |

| USE FOR | CH. DISPLAY UNIT | DC INPUT | DC BACK UP |
|--------------|------------------|-------------|-------------|
| Y54-3050-20 | X60-3180-16 | X45-3250-14 | X57-3270-16 |
| Y54-3050-21 | X60-3180-17 | X45-3250-15 | X57-3270-17 |
| Y54-3020-20 | X60-3180-10 | X45-3250-10 | X57-3270-10 |
| Y54-3020-21 | X60-3180-11 | X45-3250-11 | X57-3270-11 |
| Y54-3020-22 | X60-3180-12 | X45-3250-12 | X57-3270-12 |
| Y54-3020-23 | X60-3180-13 | X45-3250-13 | X57-3270-13 |
| Y54-3020-24 | X60-3180-14 | X45-3250-14 | X57-3270-14 |
| Y54-3020-25 | X60-3180-15 | X45-3250-15 | X57-3270-15 |
| Y54-3020-26 | X60-3180-16 | X45-3250-16 | X57-3270-16 |
| Y54-3020-27 | X60-3180-17 | X45-3250-17 | X57-3270-17 |
| Y54-3020-28 | X60-3180-18 | X45-3250-18 | X57-3270-18 |
| Y54-3020-29 | X60-3180-19 | X45-3250-19 | X57-3270-19 |
| Y54-3020-30 | X60-3180-20 | X45-3250-20 | X57-3270-20 |
| Y54-3020-31 | X60-3180-21 | X45-3250-21 | X57-3270-21 |
| Y54-3020-32 | X60-3180-22 | X45-3250-22 | X57-3270-22 |
| Y54-3020-33 | X60-3180-23 | X45-3250-23 | X57-3270-23 |
| Y54-3020-34 | X60-3180-24 | X45-3250-24 | X57-3270-24 |
| Y54-3020-35 | X60-3180-25 | X45-3250-25 | X57-3270-25 |
| Y54-3020-36 | X60-3180-26 | X45-3250-26 | X57-3270-26 |
| Y54-3020-37 | X60-3180-27 | X45-3250-27 | X57-3270-27 |
| Y54-3020-38 | X60-3180-28 | X45-3250-28 | X57-3270-28 |
| Y54-3020-39 | X60-3180-29 | X45-3250-29 | X57-3270-29 |
| Y54-3020-40 | X60-3180-30 | X45-3250-30 | X57-3270-30 |
| Y54-3020-41 | X60-3180-31 | X45-3250-31 | X57-3270-31 |
| Y54-3020-42 | X60-3180-32 | X45-3250-32 | X57-3270-32 |
| Y54-3020-43 | X60-3180-33 | X45-3250-33 | X57-3270-33 |
| Y54-3020-44 | X60-3180-34 | X45-3250-34 | X57-3270-34 |
| Y54-3020-45 | X60-3180-35 | X45-3250-35 | X57-3270-35 |
| Y54-3020-46 | X60-3180-36 | X45-3250-36 | X57-3270-36 |
| Y54-3020-47 | X60-3180-37 | X45-3250-37 | X57-3270-37 |
| Y54-3020-48 | X60-3180-38 | X45-3250-38 | X57-3270-38 |
| Y54-3020-49 | X60-3180-39 | X45-3250-39 | X57-3270-39 |
| Y54-3020-50 | X60-3180-40 | X45-3250-40 | X57-3270-40 |
| Y54-3050-20 | X60-3180-16 | X45-3250-14 | X57-3270-16 |
| Y54-3050-21 | X60-3180-17 | X45-3250-15 | X57-3270-17 |
| Y54-3050-22 | X60-3180-18 | X45-3250-16 | X57-3270-18 |
| Y54-3050-23 | X60-3180-19 | X45-3250-17 | X57-3270-19 |
| Y54-3050-24 | X60-3180-20 | X45-3250-18 | X57-3270-20 |
| Y54-3050-25 | X60-3180-21 | X45-3250-19 | X57-3270-21 |
| Y54-3050-26 | X60-3180-22 | X45-3250-20 | X57-3270-22 |
| Y54-3050-27 | X60-3180-23 | X45-3250-21 | X57-3270-23 |
| Y54-3050-28 | X60-3180-24 | X45-3250-22 | X57-3270-24 |
| Y54-3050-29 | X60-3180-25 | X45-3250-23 | X57-3270-25 |
| Y54-3050-30 | X60-3180-26 | X45-3250-24 | X57-3270-26 |
| Y54-3050-31 | X60-3180-27 | X45-3250-25 | X57-3270-27 |
| Y54-3050-32 | X60-3180-28 | X45-3250-26 | X57-3270-28 |
| Y54-3050-33 | X60-3180-29 | X45-3250-27 | X57-3270-29 |
| Y54-3050-34 | X60-3180-30 | X45-3250-28 | X57-3270-30 |
| Y54-3050-35 | X60-3180-31 | X45-3250-29 | X57-3270-31 |
| Y54-3050-36 | X60-3180-32 | X45-3250-30 | X57-3270-32 |
| Y54-3050-37 | X60-3180-33 | X45-3250-31 | X57-3270-33 |
| Y54-3050-38 | X60-3180-34 | X45-3250-32 | X57-3270-34 |
| Y54-3050-39 | X60-3180-35 | X45-3250-33 | X57-3270-35 |
| Y54-3050-40 | X60-3180-36 | X45-3250-34 | X57-3270-36 |
| Y54-3050-41 | X60-3180-37 | X45-3250-35 | X57-3270-37 |
| Y54-3050-42 | X60-3180-38 | X45-3250-36 | X57-3270-38 |
| Y54-3050-43 | X60-3180-39 | X45-3250-37 | X57-3270-39 |
| Y54-3050-44 | X60-3180-40 | X45-3250-38 | X57-3270-40 |
| Y54-3050-45 | X60-3180-41 | X45-3250-39 | X57-3270-41 |
| Y54-3050-46 | X60-3180-42 | X45-3250-40 | X57-3270-42 |
| Y54-3050-47 | X60-3180-43 | X45-3250-41 | X57-3270-43 |
| Y54-3050-48 | X60-3180-44 | X45-3250-42 | X57-3270-44 |
| Y54-3050-49 | X60-3180-45 | X45-3250-43 | X57-3270-45 |
| Y54-3050-50 | X60-3180-46 | X45-3250-44 | X57-3270-46 |
| Y54-3050-51 | X60-3180-47 | X45-3250-45 | X57-3270-47 |
| Y54-3050-52 | X60-3180-48 | X45-3250-46 | X57-3270-48 |
| Y54-3050-53 | X60-3180-49 | X45-3250-47 | X57-3270-49 |
| Y54-3050-54 | X60-3180-50 | X45-3250-48 | X57-3270-50 |
| Y54-3050-55 | X60-3180-51 | X45-3250-49 | X57-3270-51 |
| Y54-3050-56 | X60-3180-52 | X45-3250-50 | X57-3270-52 |
| Y54-3050-57 | X60-3180-53 | X45-3250-51 | X57-3270-53 |
| Y54-3050-58 | X60-3180-54 | X45-3250-52 | X57-3270-54 |
| Y54-3050-59 | X60-3180-55 | X45-3250-53 | X57-3270-55 |
| Y54-3050-60 | X60-3180-56 | X45-3250-54 | X57-3270-56 |
| Y54-3050-61 | X60-3180-57 | X45-3250-55 | X57-3270-57 |
| Y54-3050-62 | X60-3180-58 | X45-3250-56 | X57-3270-58 |
| Y54-3050-63 | X60-3180-59 | X45-3250-57 | X57-3270-59 |
| Y54-3050-64 | X60-3180-60 | X45-3250-58 | X57-3270-60 |
| Y54-3050-65 | X60-3180-61 | X45-3250-59 | X57-3270-61 |
| Y54-3050-66 | X60-3180-62 | X45-3250-60 | X57-3270-62 |
| Y54-3050-67 | X60-3180-63 | X45-3250-61 | X57-3270-63 |
| Y54-3050-68 | X60-3180-64 | X45-3250-62 | X57-3270-64 |
| Y54-3050-69 | X60-3180-65 | X45-3250-63 | X57-3270-65 |
| Y54-3050-70 | X60-3180-66 | X45-3250-64 | X57-3270-66 |
| Y54-3050-71 | X60-3180-67 | X45-3250-65 | X57-3270-67 |
| Y54-3050-72 | X60-3180-68 | X45-3250-66 | X57-3270-68 |
| Y54-3050-73 | X60-3180-69 | X45-3250-67 | X57-3270-69 |
| Y54-3050-74 | X60-3180-70 | X45-3250-68 | X57-3270-70 |
| Y54-3050-75 | X60-3180-71 | X45-3250-69 | X57-3270-71 |
| Y54-3050-76 | X60-3180-72 | X45-3250-70 | X57-3270-72 |
| Y54-3050-77 | X60-3180-73 | X45-3250-71 | X57-3270-73 |
| Y54-3050-78 | X60-3180-74 | X45-3250-72 | X57-3270-74 |
| Y54-3050-79 | X60-3180-75 | X45-3250-73 | X57-3270-75 |
| Y54-3050-80 | X60-3180-76 | X45-3250-74 | X57-3270-76 |
| Y54-3050-81 | X60-3180-77 | X45-3250-75 | X57-3270-77 |
| Y54-3050-82 | X60-3180-78 | X45-3250-76 | X57-3270-78 |
| Y54-3050-83 | X60-3180-79 | X45-3250-77 | X57-3270-79 |
| Y54-3050-84 | X60-3180-80 | X45-3250-78 | X57-3270-80 |
| Y54-3050-85 | X60-3180-81 | X45-3250-79 | X57-3270-81 |
| Y54-3050-86 | X60-3180-82 | X45-3250-80 | X57-3270-82 |
| Y54-3050-87 | X60-3180-83 | X45-3250-81 | X57-3270-83 |
| Y54-3050-88 | X60-3180-84 | X45-3250-82 | X57-3270-84 |
| Y54-3050-89 | X60-3180-85 | X45-3250-83 | X57-3270-85 |
| Y54-3050-90 | X60-3180-86 | X45-3250-84 | X57-3270-86 |
| Y54-3050-91 | X60-3180-87 | X45-3250-85 | X57-3270-87 |
| Y54-3050-92 | X60-3180-88 | X45-3250-86 | X57-3270-88 |
| Y54-3050-93 | X60-3180-89 | X45-3250-87 | X57-3270-89 |
| Y54-3050-94 | X60-3180-90 | X45-3250-88 | X57-3270-90 |
| Y54-3050-95 | X60-3180-91 | X45-3250-89 | X57-3270-91 |
| Y54-3050-96 | X60-3180-92 | X45-3250-90 | X57-3270-92 |
| Y54-3050-97 | X60-3180-93 | X45-3250-91 | X57-3270-93 |
| Y54-3050-98 | X60-3180-94 | X45-3250-92 | X57-3270-94 |
| Y54-3050-99 | X60-3180-95 | X45-3250-93 | X57-3270-95 |
| Y54-3050-100 | X60-3180-96 | X45-3250-94 | X57-3270-96 |

DISPLAY UNIT X54-3070-10 A/4



| USE FOR | CH. DISPLAY UNIT | DC INPUT | DC BACK UP |
|-------------|------------------|-------------|-------------|
| Y52-3020-10 | X54-3070-10 | X54-3070-10 | X54-3070-10 |
| Y52-3020-11 | X54-3070-11 | X54-3070-11 | X54-3070-11 |
| Y52-3020-12 | X54-3070-12 | X54-3070-12 | X54-3070-12 |
| Y52-3020-13 | X54-3070-13 | X54-3070-13 | X54-3070-13 |
| Y52-3020-14 | X54-3070-14 | X54-3070-14 | X54-3070-14 |
| Y52-3020-15 | X54-3070-15 | X54-3070-15 | X54-3070-15 |
| Y52-3020-16 | X54-3070-16 | X54-3070-16 | X54-3070-16 |
| Y52-3020-17 | X54-3070-17 | X54-3070-17 | X54-3070-17 |
| Y52-3020-18 | X54-3070-18 | X54-3070-18 | X54-3070-18 |
| Y52-3020-19 | X54-3070-19 | X54-3070-19 | X54-3070-19 |
| Y52-3020-20 | X54-3070-20 | X54-3070-20 | X54-3070-20 |
| Y52-3020-21 | X54-3070-21 | X54-3070-21 | X54-3070-21 |
| Y52-3020-22 | X54-3070-22 | X54-3070-22 | X54-3070-22 |
| Y52-3020-23 | X54-3070-23 | X54-3070-23 | X54-3070-23 |
| Y52-3020-24 | X54-3070-24 | X54-3070-24 | X54-3070-24 |
| Y52-3020-25 | X54-3070-25 | X54-3070-25 | X54-3070-25 |
| Y52-3020-26 | X54-3070-26 | X54-3070-26 | X54-3070-26 |
| Y52-3020-27 | X54-3070-27 | X54-3070-27 | X54-3070-27 |
| Y52-3020-28 | X54-3070-28 | X54-3070-28 | X54-3070-28 |
| Y52-3020-29 | X54-3070-29 | X54-3070-29 | X54-3070-29 |
| Y52-3020-30 | X54-3070-30 | X54-3070-30 | X54-3070-30 |
| Y52-3020-31 | X54-3070-31 | X54-3070-31 | X54-3070-31 |
| Y52-3020-32 | X54-3070-32 | X54-3070-32 | X54-3070-32 |
| Y52-3020-33 | X54-3070-33 | X54-3070-33 | X54-3070-33 |
| Y52-3020-34 | X54-3070-34 | X54-3070-34 | X54-3070-34 |
| Y52-3020-35 | X54-3070-35 | X54-3070-35 | X54-3070-35 |
| Y52-3020-36 | X54-3070-36 | X54-3070-36 | X54-3070-36 |
| Y52-3020-37 | X54-3070-37 | X54-3070-37 | X54-3070-37 |
| Y52-3020-38 | X54-3070-38 | X54-3070-38 | X54-3070-38 |
| Y52-3020-39 | X54-3070-39 | X54-3070-39 | X54-3070-39 |
| Y52-3020-40 | X54-3070-40 | X54-3070-40 | X54-3070-40 |
| Y52-3020-41 | X54-3070-41 | X54-3070-41 | X54-3070-41 |
| Y52-3020-42 | X54-3070-42 | X54-3070-42 | X54-3070-42 |
| Y52-3020-43 | X54-3070-43 | X54-3070-43 | X54-3070-43 |
| Y52-3020-44 | X54-3070-44 | X54-3070-44 | X54-3070-44 |
| Y52-3020-45 | X54-3070-45 | X54-3070-45 | X54-3070-45 |
| Y52-3020-46 | X54-3070-46 | X54-3070-46 | X54-3070-46 |
| Y52-3020-47 | X54-3070-47 | X54-3070-47 | X54-3070-47 |
| Y52-3020-48 | X54-3070-48 | X54-3070-48 | X54-3070-48 |
| Y52-3020-49 | X54-3070-49 | X54-3070-49 | X54-3070-49 |
| Y52-3020-50 | X54-3070-50 | X54-3070-50 | X54-3070-50 |
| Y52-3020-51 | X54-3070-51 | X54-3070-51 | X54-3070-51 |
| Y52-3020-52 | X54-3070-52 | X54-3070-52 | X54-3070-52 |
| Y52-3020-53 | X54-3070-53 | X54-3070-53 | X54-3070-53 |
| Y52-3020-54 | X54-3070-54 | X54-3070-54 | X54-3070-54 |
| Y52-3020-55 | X54-3070-55 | X54-3070-55 | X54-3070-55 |
| Y52-3020-56 | X54-3070-56 | X54-3070-56 | X54-3070-56 |
| Y52-3020-57 | X54-3070-57 | X54-3070-57 | X54-3070-57 |
| Y52-3020-58 | X54-3070-58 | X54-3070-58 | X54-3070-58 |
| Y52-3020-59 | X54-3070-59 | | |



| UNIT | CF1 | XF1 | CF1 | UNIT |
|------|--------|------|------|------|
| C41 | C43 | C46 | C51 | R73 |
| C45 | R72 | R75 | R77 | R79 |
| C47 | R74 | R76 | R78 | R80 |
| C49 | R71 | R73 | R75 | R77 |
| C51 | R72 | R74 | R76 | R78 |
| C53 | R73 | R75 | R77 | R79 |
| C55 | R74 | R76 | R78 | R80 |
| C57 | R75 | R77 | R79 | R81 |
| C59 | R76 | R78 | R80 | R82 |
| C61 | R77 | R79 | R81 | R83 |
| C63 | R78 | R80 | R82 | R84 |
| C65 | R79 | R81 | R83 | R85 |
| C67 | R80 | R82 | R84 | R86 |
| C69 | R81 | R83 | R85 | R87 |
| C71 | R82 | R84 | R86 | R88 |
| C73 | R83 | R85 | R87 | R89 |
| C75 | R84 | R86 | R88 | R90 |
| C77 | R85 | R87 | R89 | R91 |
| C79 | R86 | R88 | R90 | R92 |
| C81 | R87 | R89 | R91 | R93 |
| C83 | R88 | R90 | R92 | R94 |
| C85 | R89 | R91 | R93 | R95 |
| C87 | R90 | R92 | R94 | R96 |
| C89 | R91 | R93 | R95 | R97 |
| C91 | R92 | R94 | R96 | R98 |
| C93 | R93 | R95 | R97 | R99 |
| C95 | R94 | R96 | R98 | R100 |
| C97 | R95 | R97 | R99 | R101 |
| C99 | R96 | R98 | R100 | R102 |
| C101 | R97 | R99 | R101 | R103 |
| C103 | R98 | R100 | R102 | R104 |
| C105 | R99 | R101 | R103 | R105 |
| C107 | R100 | R102 | R104 | R106 |
| C109 | R101 | R103 | R105 | R107 |
| C111 | R102 | R104 | R106 | R108 |
| C113 | R103 | R105 | R107 | R109 |
| C115 | R104 | R106 | R108 | R110 |
| C117 | R105 | R107 | R109 | R111 |
| C119 | R106 | R108 | R110 | R112 |
| C121 | R107 | R109 | R111 | R113 |
| C123 | R108 | R110 | R112 | R114 |
| C125 | R109 | R111 | R113 | R115 |
| C127 | R110 | R112 | R114 | R116 |
| C129 | R111 | R113 | R115 | R117 |
| C131 | R112 | R114 | R116 | R118 |
| C133 | R113 | R115 | R117 | R119 |
| C135 | R114 | R116 | R118 | R120 |
| C137 | R115 | R117 | R119 | R121 |
| C139 | R116 | R118 | R120 | R122 |
| C141 | R117 | R119 | R121 | R123 |
| C143 | R118 | R120 | R122 | R124 |
| C145 | R119 | R121 | R123 | R125 |
| C147 | R120 | R122 | R124 | R126 |
| C149 | R121 | R123 | R125 | R127 |
| C151 | R122 | R124 | R126 | R128 |
| C153 | R123 | R125 | R127 | R129 |
| C155 | R124 | R126 | R128 | R130 |
| C157 | R125 | R127 | R129 | R131 |
| C159 | R126 | R128 | R130 | R132 |
| C161 | R127 | R129 | R131 | R133 |
| C163 | R128 | R130 | R132 | R134 |
| C165 | R129 | R131 | R133 | R135 |
| C167 | R130 | R132 | R134 | R136 |
| C169 | R131 | R133 | R135 | R137 |
| C171 | R132 | R134 | R136 | R138 |
| C173 | R133 | R135 | R137 | R139 |
| C175 | R134 | R136 | R138 | R140 |
| C177 | R135 | R137 | R139 | R141 |
| C179 | R136 | R138 | R140 | R142 |
| C181 | R137 | R139 | R141 | R143 |
| C183 | R138 | R140 | R142 | R144 |
| C185 | R139 | R141 | R143 | R145 |
| C187 | R140 | R142 | R144 | R146 |
| C189 | R141 | R143 | R145 | R147 |
| C191 | R142 | R144 | R146 | R148 |
| C193 | R143 | R145 | R147 | R149 |
| C195 | R144 | R146 | R148 | R150 |
| C197 | R145 | R147 | R149 | R151 |
| C199 | R146 | R148 | R150 | R152 |
| C201 | R147 | R149 | R151 | R153 |
| C203 | R148 | R150 | R152 | R154 |
| C205 | R149 | R151 | R153 | R155 |
| C207 | R150 | R152 | R154 | R156 |
| C209 | R151 | R153 | R155 | R157 |
| C211 | R152 | R154 | R156 | R158 |
| C213 | R153 | R155 | R157 | R159 |
| C215 | R154 | R156 | R158 | R160 |
| C217 | R155 | R157 | R159 | R161 |
| C219 | R156 | R158 | R160 | R162 |
| C221 | R157 | R159 | R161 | R163 |
| C223 | R158 | R160 | R162 | R164 |
| C225 | R159 | R161 | R163 | R165 |
| C227 | R160 | R162 | R164 | R166 |
| C229 | R161 | R163 | R165 | R167 |
| C231 | R162 | R164 | R166 | R168 |
| C233 | R163 | R165 | R167 | R169 |
| C235 | R164 | R166 | R168 | R170 |
| C237 | R165 | R167 | R169 | R171 |
| C239 | R166 | R168 | R170 | R172 |
| C241 | R167 | R169 | R171 | R173 |
| C243 | R168 | R170 | R172 | R174 |
| C245 | R169 | R171 | R173 | R175 |
| C247 | R170 | R172 | R174 | R176 |
| C249 | R171 | R173 | R175 | R177 |
| C251 | R172 | R174 | R176 | R178 |
| C253 | R173 | R175 | R177 | R179 |
| C255 | R174 | R176 | R178 | R180 |
| C257 | R175 | R177 | R179 | R181 |
| C259 | R176 | R178 | R180 | R182 |
| C261 | R177 | R179 | R181 | R183 |
| C263 | R178 | R180 | R182 | R184 |
| C265 | R179 | R181 | R183 | R185 |
| C267 | R180 | R182 | R184 | R186 |
| C269 | R181 | R183 | R185 | R187 |
| C271 | R182 | R184 | R186 | R188 |
| C273 | R183 | R185 | R187 | R189 |
| C275 | R184 | R186 | R188 | R190 |
| C277 | R185 | R187 | R189 | R191 |
| C279 | R186 | R188 | R190 | R192 |
| C281 | R187 | R189 | R191 | R193 |
| C283 | R188 | R190 | R192 | R194 |
| C285 | R189 | R191 | R193 | R195 |
| C287 | R190 | R192 | R194 | R196 |
| C289 | R191 | R193 | R195 | R197 |
| C291 | R192 | R194 | R196 | R198 |
| C293 | R193 | R195 | R197 | R199 |
| C295 | R194 | R196 | R198 | R200 |
| C297 | R195 | R197 | R199 | R201 |
| C299 | R196 | R198 | R200 | R202 |
| C301 | R197 | R199 | R201 | R203 |
| C303 | R198 | R200 | R202 | R204 |
| C305 | R199 | R201 | R203 | R205 |
| C307 | R200 | R202 | R204 | R206 |
| C309 | R201 | R203 | R205 | R207 |
| C311 | R202 | R204 | R206 | R208 |
| C313 | R203 | R205 | R207 | R209 |
| C315 | R204 | R206 | R208 | R210 |
| C317 | R205 | R207 | R209 | R211 |
| C319 | R206 | R208 | R210 | R212 |
| C321 | R207 | R209 | R211 | R213 |
| C323 | R208 | R210 | R212 | R214 |
| C325 | R209 | R211 | R213 | R215 |
| C327 | R210 | R212 | R214 | R216 |
| C329 | R211 | R213 | R215 | R217 |
| C331 | R212 | R214 | R216 | R218 |
| C333 | R213 | R215 | R217 | R219 |
| C335 | R214 | R216 | R218 | R220 |
| C337 | R215 | R217 | R219 | R221 |
| C339 | R216 | R218 | R220 | R222 |
| C341 | R217 | R219 | R221 | R223 |
| C343 | R218 | R220 | R222 | R224 |
| C345 | R219 | R221 | R223 | R225 |
| C347 | R220 | R222 | R224 | R226 |
| C349 | R221 | R223 | R225 | R227 |
| C351 | R222 | R224 | R226 | R228 |
| C353 | R223 | R225 | R227 | R229 |
| C355 | R224 | R226 | R228 | R230 |
| C357 | R225 | R227 | R229 | R231 |
| C359 | R226 | R228 | R230 | R232 |
| C361 | R227 | R229 | R231 | R233 |
| C363 | R228 | R230 | R232 | R234 |
| C365 | R229 | R231 | R233 | R235 |
| C367 | R230 | R232 | R234 | R236 |
| C369 | R231 | R233 | R235 | R237 |
| C371 | R232 | R234 | R236 | R238 |
| C373 | R233 | R235 | R237 | R239 |
| C375 | R234 | R236 | R238 | R240 |
| C377 | R235 | R237 | R239 | R241 |
| C379 | R236 | R238 | R240 | R242 |
| C381 | R237 | R239 | R241 | R243 |
| C383 | R238 | R240 | R242 | R244 |
| C385 | R239 | R241 | R243 | R245 |
| C387 | R240 | R242 | R244 | R246 |
| C389 | R241 | R243 | R245 | R247 |
| C391 | R242 | R244 | R246 | R248 |
| C393 | R243 | R245 | R247 | R249 |
| C395 | R244 | R246 | R248 | R250 |
| C397 | R245 | R247 | R249 | R251 |
| C399 | R246 | R248 | R250 | R252 |
| C401 | R247 | R249 | R251 | R253 |
| C403 | R248 | R250 | R252 | R254 |
| C405 | R249 | R251 | R253 | R255 |
| C407 | R250 | R252 | R254 | R256 |
| C409 | R251 | R253 | R255 | R257 |
| C411 | R252 | R254 | R256 | R258 |
| C413 | R253 | R255 | R257 | R259 |
| C415 | R254 | R256 | R258 | R260 |
| C417 | R255 | R257 | R259 | R261 |
| C419 | R256 | R258 | R260 | R262 |
| C421 | R257 | R259 | R261 | R263 |
| C423 | R258 | R260 | R262 | R264 |
| C425 | R259 | R261 | R263 | R265 |
| C427 | R260 | R262 | R264 | R266 |
| C429 | R261 | R263 | R265 | R267 |
| C431 | R262 | R264 | R266 | R268 |
| C433 | R263 | R265 | R267 | R269 |
| C435 | R264 | R266 | R268 | R270 |
| C437 | R265 | R267 | R269 | R271 |
| C439 | R266 | R268 | R270 | R272 |
| C441 | R267 | R269 | R271 | R273 |
| C443 | R268 | R270 | R272 | R274 |
| C445 | R269 | R271 | R273 | R275 |
| C447 | R270 | R272 | R274 | R276 |
| C449 | R271 | R273 | R275 | R277 |
| C451 | R272 | R274 | R276 | R278 |
| C453 | R273 | R275 | R277 | R279 |
| C455 | R274 | R276 | R278 | R280 |
| C457 | R275 | R277 | R279 | R281 |
| C459 | R276 | R278 | R280 | R282 |
| C461 | R277 | R279 | R281 | R283 |
| C463 | R278 | R280 | R282 | R284 |
| C465 | R279 | R281 | R283 | R285 |
| C467 | R280 | R282 | R284 | R286 |
| C469 | R281 | R283 | R285 | R287 |
| C471 | R282 | R284 | R286 | R288 |
| C473 | R283 | R285 | R287 | R289 |
| C475 | R284 | R286 | R288 | R290 |
| C477 | R285 | R287 | R289 | R291 |
| C479 | R286 | R288 | R290 | R292 |
| C481 | R287 | R289 | R291 | R293 |
| C483 | R288 | R290 | R292 | R294 |
| C485 | R289 | R291 | R293 | R295 |
| C487 | R290 | R292 | R294 | R296 |
| C489 | R291 | R293 | R295 | R297 |
| C491 | R292 | R294 | R296 | R298 |
| C493 | R293 | R295 | R297 | R299 |
| C495 | R294 | R296 | R298 | R300 |
| C497 | R295 | R297 | R299 | R301 |
| C499 | R296 | R298 | R300 | R302 |
| C501 | R297 | R299 | R301 | R303 |
| C503 | R298 | R300 | R302 | R304 |
| C505 | R299 | R301 | R303 | R305 |
| C507 | R300 | R302 | R304 | R306 |
| C509 | R301</ | | | |

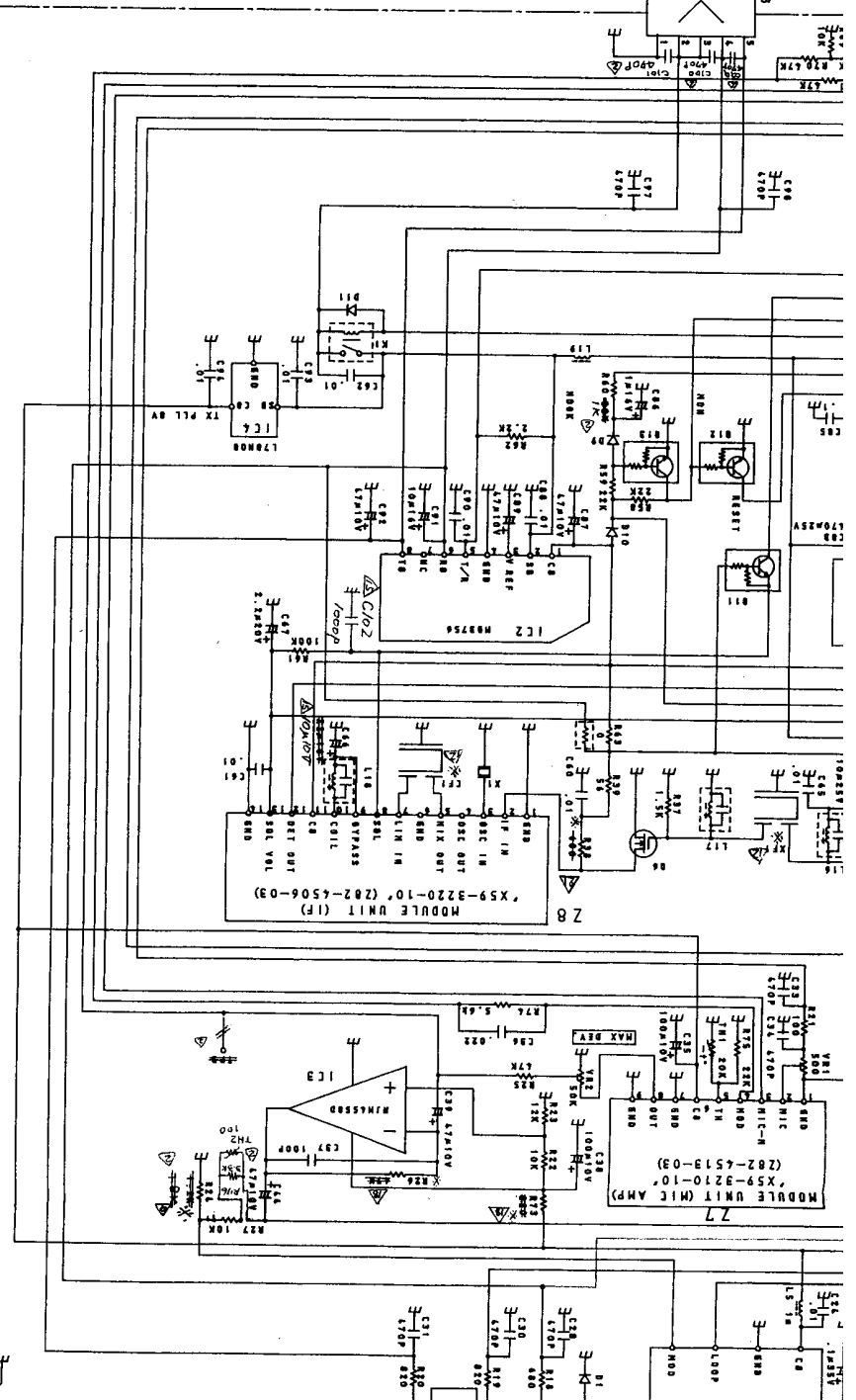
| | | | | | |
|---------------|-------|--------------|----------|-----------------------|--|
| SCALE UNIT: M | | 株式会社 | | Z82-464-02 | |
| DESIGNED | DRAWN | CHECKED | APPROVED | PARTS NAME TX-RX ユニット | |
| PARTS NAME | | PARTS NUMBER | | PARTS NUMBER | |
| NOTES | | MATERIAL | | FINISH | |

| UNIT | C68 | C70 | C103 | R28 | R79 |
|-------------|-----|-----|------|-----|-----|
| X57-3270-10 | 10M | 10M | 10M | 10M | 10M |
| X57-3270-11 | 10M | 10M | 10M | 10M | 10M |
| X57-3270-12 | 10M | 10M | 10M | 10M | 10M |
| X57-3270-13 | 10M | 10M | 10M | 10M | 10M |
| X57-3270-14 | 10M | 10M | 10M | 10M | 10M |
| X57-3270-15 | 10M | 10M | 10M | 10M | 10M |
| X57-3270-16 | 10M | 10M | 10M | 10M | 10M |
| X57-3270-17 | 10M | 10M | 10M | 10M | 10M |
| X57-3270-01 | 10M | 10M | 10M | 10M | 10M |

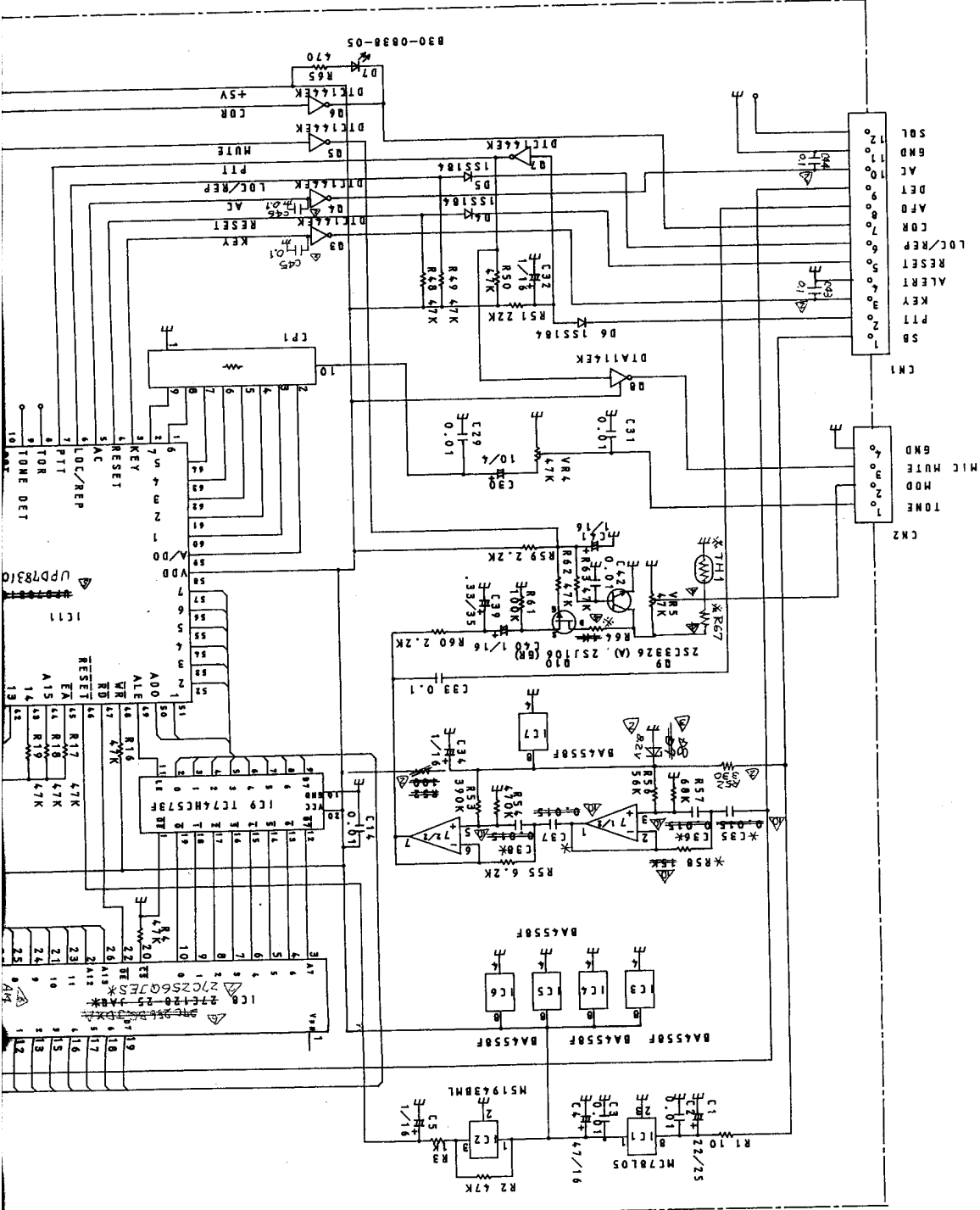
| UNIT | C55 | R38 |
|-------------|-----|-----|
| X57-3270-10 | 12P | 10P |
| X57-3270-11 | 12P | 10P |
| X57-3270-12 | 12P | 10P |
| X57-3270-13 | 12P | 10P |
| X57-3270-14 | 12P | 10P |
| X57-3270-15 | 12P | 10P |
| X57-3270-16 | 12P | 10P |
| X57-3270-17 | 10P | 6P |
| X57-3270-01 | 10P | 6P |

| | | |
|----|-------------|--|
| 01 | 25C2712 (Y) | |
| 02 | 25C2712 (Y) | |
| 03 | 25C2712 (Y) | |
| 04 | 25C2712 (Y) | |
| 05 | 25C2712 (Y) | |
| 06 | 25C2712 (Y) | |
| 07 | 25C2712 (Y) | |
| 08 | 25C2712 (Y) | |
| 09 | 25C3926 (M) | |
| 10 | 25C3926 (M) | |
| 11 | 25C3926 (M) | |
| 12 | 25C3926 (M) | |
| 13 | 25C3926 (M) | |
| 01 | 15V12B | |
| 02 | 15V17Z | |
| 03 | 15S226 | |
| 04 | 15S184 | |
| 05 | 15S184 | |
| 06 | 15S184 | |
| 07 | 15S184 | |
| 08 | 15S184 | |
| 09 | 15S184 | |
| 10 | 15S184 | |
| 11 | 15S184 | |
| 12 | 15S184 | |
| 13 | 15S184 | |
| 01 | MPC1242N | |
| 02 | MB3756 | |
| 03 | NJM4558D | |
| 04 | L78N08 | |

| REV | DATE | DESCRIPTION | BY | CHK | UNIT | REVISION NUMBER |
|-----|----------|-------------|----|-----|------|-----------------|
| 01 | 92.10.11 | 初版 | | | | |
| 02 | 92.10.11 | 部品追加 | | | | |
| 03 | 92.10.11 | 部品追加 | | | | |
| 04 | 92.10.11 | 部品追加 | | | | |
| 05 | 92.10.11 | 部品追加 | | | | |
| 06 | 92.10.11 | 部品追加 | | | | |
| 07 | 92.10.11 | 部品追加 | | | | |
| 08 | 92.10.11 | 部品追加 | | | | |
| 09 | 92.10.11 | 部品追加 | | | | |
| 10 | 92.10.11 | 部品追加 | | | | |
| 11 | 92.10.11 | 部品追加 | | | | |
| 12 | 92.10.11 | 部品追加 | | | | |
| 13 | 92.10.11 | 部品追加 | | | | |
| 14 | 92.10.11 | 部品追加 | | | | |
| 15 | 92.10.11 | 部品追加 | | | | |
| 16 | 92.10.11 | 部品追加 | | | | |
| 17 | 92.10.11 | 部品追加 | | | | |
| 18 | 92.10.11 | 部品追加 | | | | |
| 19 | 92.10.11 | 部品追加 | | | | |
| 20 | 92.10.11 | 部品追加 | | | | |
| 21 | 92.10.11 | 部品追加 | | | | |
| 22 | 92.10.11 | 部品追加 | | | | |
| 23 | 92.10.11 | 部品追加 | | | | |
| 24 | 92.10.11 | 部品追加 | | | | |
| 25 | 92.10.11 | 部品追加 | | | | |
| 26 | 92.10.11 | 部品追加 | | | | |
| 27 | 92.10.11 | 部品追加 | | | | |
| 28 | 92.10.11 | 部品追加 | | | | |
| 29 | 92.10.11 | 部品追加 | | | | |
| 30 | 92.10.11 | 部品追加 | | | | |
| 31 | 92.10.11 | 部品追加 | | | | |
| 32 | 92.10.11 | 部品追加 | | | | |
| 33 | 92.10.11 | 部品追加 | | | | |
| 34 | 92.10.11 | 部品追加 | | | | |
| 35 | 92.10.11 | 部品追加 | | | | |
| 36 | 92.10.11 | 部品追加 | | | | |
| 37 | 92.10.11 | 部品追加 | | | | |
| 38 | 92.10.11 | 部品追加 | | | | |
| 39 | 92.10.11 | 部品追加 | | | | |
| 40 | 92.10.11 | 部品追加 | | | | |
| 41 | 92.10.11 | 部品追加 | | | | |
| 42 | 92.10.11 | 部品追加 | | | | |
| 43 | 92.10.11 | 部品追加 | | | | |
| 44 | 92.10.11 | 部品追加 | | | | |
| 45 | 92.10.11 | 部品追加 | | | | |
| 46 | 92.10.11 | 部品追加 | | | | |
| 47 | 92.10.11 | 部品追加 | | | | |
| 48 | 92.10.11 | 部品追加 | | | | |
| 49 | 92.10.11 | 部品追加 | | | | |
| 50 | 92.10.11 | 部品追加 | | | | |
| 51 | 92.10.11 | 部品追加 | | | | |
| 52 | 92.10.11 | 部品追加 | | | | |
| 53 | 92.10.11 | 部品追加 | | | | |
| 54 | 92.10.11 | 部品追加 | | | | |
| 55 | 92.10.11 | 部品追加 | | | | |
| 56 | 92.10.11 | 部品追加 | | | | |
| 57 | 92.10.11 | 部品追加 | | | | |
| 58 | 92.10.11 | 部品追加 | | | | |
| 59 | 92.10.11 | 部品追加 | | | | |
| 60 | 92.10.11 | 部品追加 | | | | |
| 61 | 92.10.11 | 部品追加 | | | | |
| 62 | 92.10.11 | 部品追加 | | | | |
| 63 | 92.10.11 | 部品追加 | | | | |
| 64 | 92.10.11 | 部品追加 | | | | |
| 65 | 92.10.11 | 部品追加 | | | | |
| 66 | 92.10.11 | 部品追加 | | | | |
| 67 | 92.10.11 | 部品追加 | | | | |
| 68 | 92.10.11 | 部品追加 | | | | |
| 69 | 92.10.11 | 部品追加 | | | | |
| 70 | 92.10.11 | 部品追加 | | | | |
| 71 | 92.10.11 | 部品追加 | | | | |
| 72 | 92.10.11 | 部品追加 | | | | |
| 73 | 92.10.11 | 部品追加 | | | | |
| 74 | 92.10.11 | 部品追加 | | | | |
| 75 | 92.10.11 | 部品追加 | | | | |
| 76 | 92.10.11 | 部品追加 | | | | |
| 77 | 92.10.11 | 部品追加 | | | | |
| 78 | 92.10.11 | 部品追加 | | | | |
| 79 | 92.10.11 | 部品追加 | | | | |
| 80 | 92.10.11 | 部品追加 | | | | |
| 81 | 92.10.11 | 部品追加 | | | | |
| 82 | 92.10.11 | 部品追加 | | | | |
| 83 | 92.10.11 | 部品追加 | | | | |
| 84 | 92.10.11 | 部品追加 | | | | |
| 85 | 92.10.11 | 部品追加 | | | | |
| 86 | 92.10.11 | 部品追加 | | | | |
| 87 | 92.10.11 | 部品追加 | | | | |
| 88 | 92.10.11 | 部品追加 | | | | |
| 89 | 92.10.11 | 部品追加 | | | | |
| 90 | 92.10.11 | 部品追加 | | | | |
| 91 | 92.10.11 | 部品追加 | | | | |
| 92 | 92.10.11 | 部品追加 | | | | |
| 93 | 92.10.11 | 部品追加 | | | | |
| 94 | 92.10.11 | 部品追加 | | | | |
| 95 | 92.10.11 | 部品追加 | | | | |
| 96 | 92.10.11 | 部品追加 | | | | |
| 97 | 92.10.11 | 部品追加 | | | | |
| 98 | 92.10.11 | 部品追加 | | | | |
| 99 | 92.10.11 | 部品追加 | | | | |
| 100 | 92.10.11 | 部品追加 | | | | |



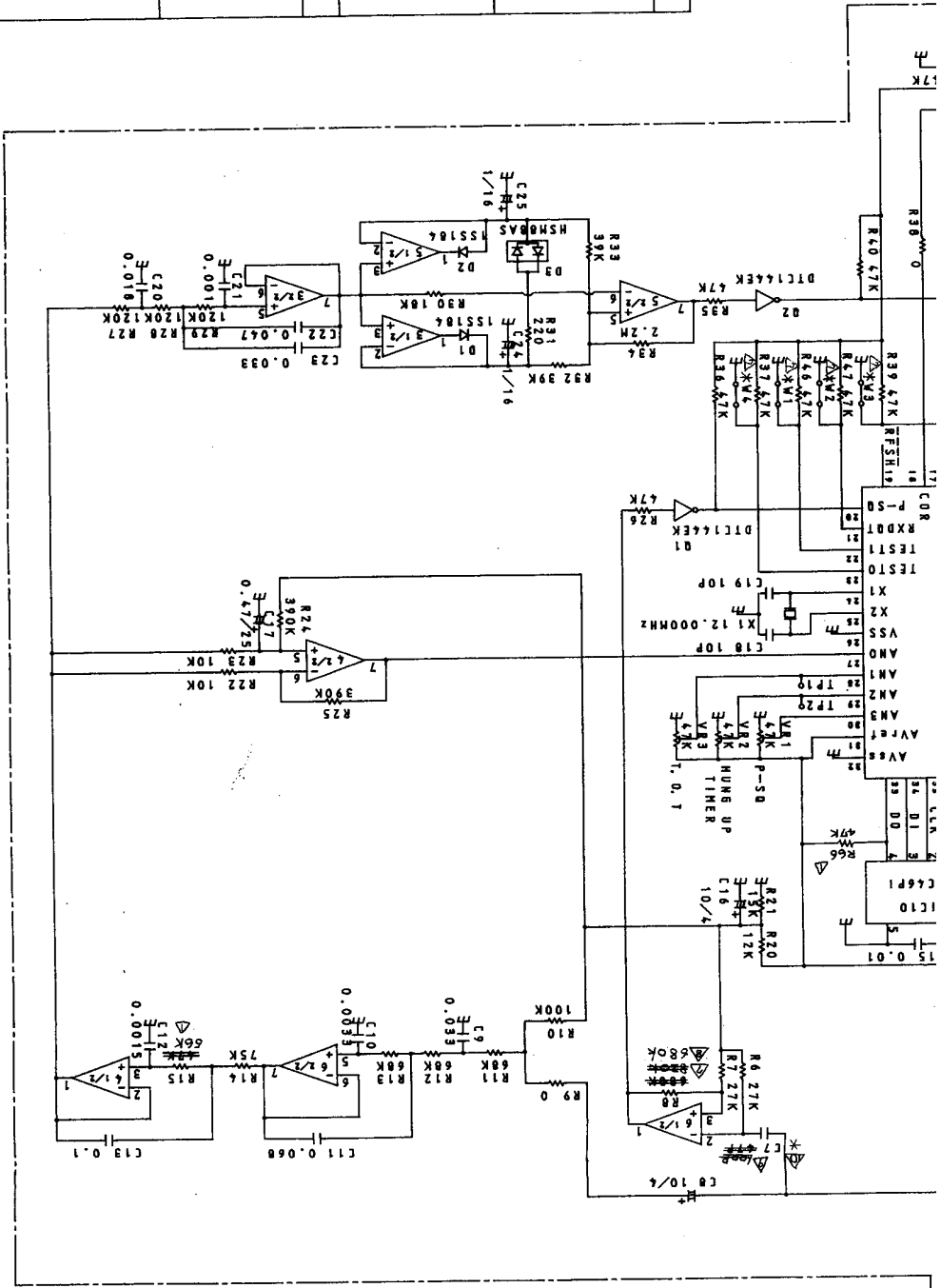
| UNIT | W1 | W2 | W3 | W4 | C35 | C36 | C37 | C38 | R58 | C7 |
|-------------|----|----|----|----|-------|-------|-------|-------|------|------|
| X52-3140-10 | ○ | ○ | ○ | ○ | 0.015 | 0.015 | 0.015 | 0.015 | 15K | 100P |
| X52-3140-11 | ○ | ○ | ○ | ○ | 0.015 | 0.015 | 0.015 | 15K | 100P | |
| X52-3140-12 | ○ | ○ | ○ | ○ | 0.033 | 0.033 | 0.018 | 0.018 | 27K | 100P |
| X52-3140-13 | ○ | ○ | ○ | ○ | 0.033 | 0.033 | 0.018 | 0.018 | 27K | 100P |



| UNITS | R64 | R67 | TH1 |
|-------------|-----|-----|-----------|
| X52-3140-10 | 1K | 10K | 112-103-2 |
| X52-3140-11 | 1K | 10K | 112-103-2 |
| X52-3140-12 | 1K | 10K | 112-103-2 |
| X52-3140-13 | 10K | 10K | 112-103-2 |

UPT8310
IC11

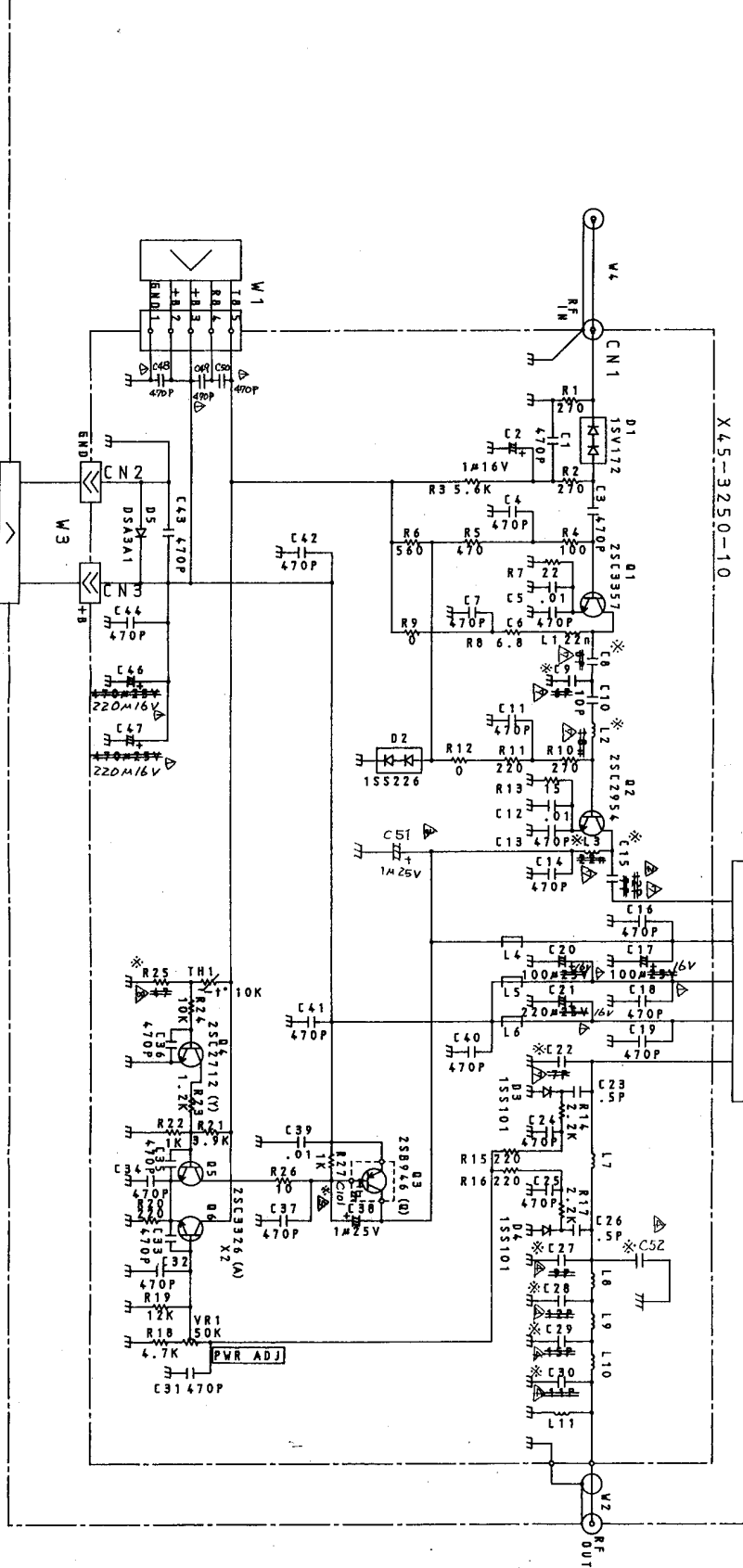
| | | | | | |
|---------------|---------|-----------|-----------------------------|-------------|---------|
| SCALE UNIT:MM | | 株式会社ケイテック | | 782-4646-02 | |
| 口 | 川口 | 中村 | 中村 | 坂 | 坂 |
| 88.4.26 | 88.4.26 | 88.4.26 | 88.4.26 | 88.4.26 | 88.4.26 |
| 検査部 | 検査部 | 検査部 | 検査部 | 検査部 | 検査部 |
| DRAWN | CHECKED | APPROVED | PARTS NAME (SIGNALING UNIT) | | |
| PARTS NUMBER | | | TKR-820 | | |
| PARTS NAME | | | MATERIAL | | |
| PARTS NUMBER | | | FINISH | | |
| NOTES | | | | | |



| NO. | SYMBOL | REVISION NUMBER | DATE |
|-----|--------|-----------------|----------|
| △ | X2 | X52-3140-10 | 88.6.20 |
| △ | X1 | X52-3140-11 | 88.9.8 |
| △ | X5 | X52-3140-12 | 88.9.19 |
| △ | X1 | X52-3140-13 | 88.10.13 |
| △ | X1 | 3FX-6643 | 89.4.20 |
| △ | X2 | X52-5623 | 89.4.26 |
| △ | X7 | 02857 | 89.7.1 |
| △ | X1 | 02892 | 89.10.1 |
| △ | X1 | 03658 | 89.7.14 |
| ○ | X13 | 改善追加 | |

| TOLERANCE | USE FOR | QNT. | SYMBOL | REVISION NUMBER | DATE |
|-----------|-------------|------|--------|-----------------|----------|
| ~ | X52-3140-10 | | X2 | X52-3140-10 | 88.6.20 |
| ~ | X52-3140-11 | | X1 | X52-3140-11 | 88.9.8 |
| ~ | X52-3140-12 | | X5 | X52-3140-12 | 88.9.19 |
| ~ | X52-3140-13 | | X1 | X52-3140-13 | 88.10.13 |

| UNIT | C8 | C9 | C15 | C22 | L2 | L3 | R25 |
|-------------|----|-----|-----|-----|-----|-----|-----|
| X45-3250-10 | 6P | 6P | 12P | 7P | 18A | 22A | 47 |
| X45-3250-11 | 6P | 6P | 12P | 7P | 18A | 22A | 47 |
| X45-3250-12 | 6P | 6P | 12P | 7P | 18A | 22A | 47 |
| X45-3250-13 | 6P | 6P | 12P | 7P | 18A | 22A | 47 |
| X45-3250-14 | 7P | 10P | 12P | 18P | 22A | 33A | 27 |
| X45-3250-15 | 7P | 10P | 12P | 18P | 22A | 33A | 27 |



| UNIT | AX 8 | AX 1 | AX 10 | AX 2 | AX 2 | AX 2 |
|-------------|------|------|-------|------|------|------|
| X60-3180-10 | ± | ± | ± | ± | ± | ± |
| X60-3180-11 | ± | ± | ± | ± | ± | ± |
| X60-3180-12 | ± | ± | ± | ± | ± | ± |
| X60-3180-13 | ± | ± | ± | ± | ± | ± |
| X60-3180-14 | ± | ± | ± | ± | ± | ± |
| X60-3180-15 | ± | ± | ± | ± | ± | ± |
| X60-3180-19 | ± | ± | ± | ± | ± | ± |

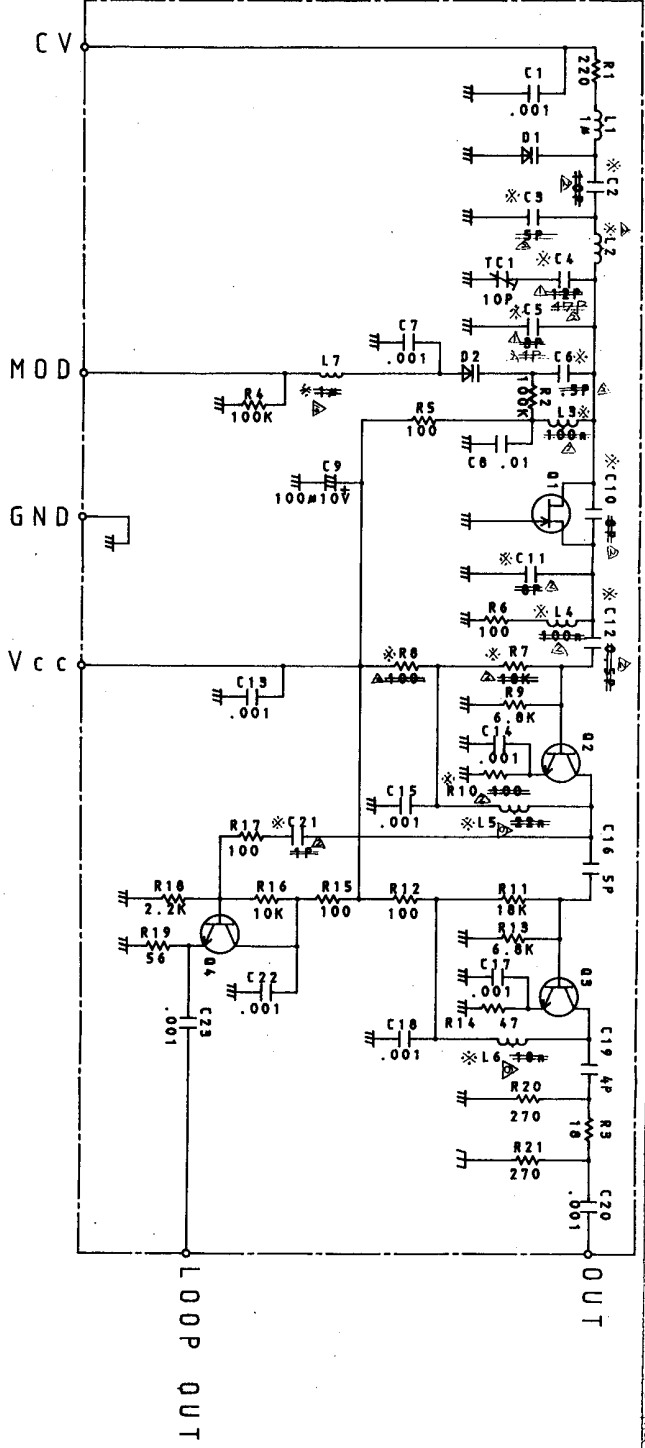
| UNIT | C27 | C28 | C29 | C30 | C32 | IC1 | Q101 |
|-------------|-----|-----|-----|-----|-----|--------------|------|
| X45-3250-10 | 9P | 12P | 15P | 11P | — | M57729H-01-P | — |
| X45-3250-11 | 9P | 10P | 10P | 7P | — | M57729UH-P | 470P |
| X45-3250-12 | — | 10P | 10P | 7P | 9P | M57729SH-22 | — |
| X45-3250-13 | 13P | 15P | 18P | 15P | — | M57729L-22 | — |
| X45-3250-14 | 18P | 18P | 15P | 15P | — | M57729L-22 | 470P |
| X45-3250-15 | 18P | 18P | 20P | 15P | — | M57729L-22 | 470P |

| NO | PARTS NAME | PARTS NUMBER | QNT | NOTES | MATERIAL | FINISH |
|----------|------------|---------------------|----------|--------------|-------------|--------|
| DESIGNED | DRAWN | CHECKED | APPROVED | PARTS NAME | 複合ユニット配線図 | KR-820 |
| SCALE | UNIT:MM | 株 式 会 社 ケ ン シ ャ ッ ト | | PARTS NUMBER | 782-4643-03 | |
| X60-3180 | | | | | | |

| UNIT | C2 | C3 | C4 | C5 | C6 | C10 | C11 | R7 | R8 | R10 | L2 | L3 | L4 |
|-------------|-----|----|-----|----|-----|-----|-----|-----|-----|-----|-------------|------|------|
| X58-3460-10 | 10P | 5P | 47P | 1P | 75R | 6P | 8P | 18k | 100 | 100 | L34-2304-05 | 100n | 100n |
| X58-3460-11 | 10P | 4F | 22R | 5P | 75R | 6P | 8P | 18k | 100 | 100 | L34-2304-05 | 100n | 100n |
| X58-3460-12 | 8P | 5P | 22P | 1P | 75R | 7P | 7P | 39k | 47 | 47 | L34-2304-05 | 100n | 100n |
| X58-3460-13 | 5P | 5P | 22P | 1P | 75R | 7P | 7P | 39k | 47 | 47 | L34-2375-05 | 100n | 100n |
| X58-3460-14 | 10P | 5P | 22P | 1P | 75P | 6P | 5P | 18k | 100 | 100 | L34-2375-05 | 180n | 180n |
| X58-3460-15 | 10P | 5P | 22P | 1P | 75P | 6P | 5P | 18k | 100 | 100 | L34-2375-05 | 180n | 180n |

| UNIT | TOLERANCE | USE FOR | QNT | SYMBOL | REVISION NUMBER | QTY | ISSUED DATE |
|-------------|-----------|---------|------|-----------|-----------------|-----|-------------|
| X58-3460-10 | ± | △x2 | △x2 | X58-6619 | 0 | 0 | 1978.2.9 |
| X58-3460-11 | ± | △x20 | △x20 | 改裝追加 | 0 | 0 | 1978.12.14 |
| X58-3460-12 | ± | △x6 | △x6 | X58-K6604 | 0 | 0 | 1978.3.7 |
| X58-3460-13 | ± | △x2 | △x2 | X58-K4605 | 0 | 0 | 1978.3.27 |
| X58-3460-14 | ± | △x2 | △x2 | OZC/O5 | 0 | 0 | 1978.2.28 |
| X58-3460-15 | ± | △x9 | △x9 | 改裝追加 | 0 | 0 | 1978.3.31 |
| X58-3460-01 | △ | △x7 | △x7 | 03592 | 0 | 0 | 1978.3.24 |
| | | △x3 | △x3 | 07792 | 0 | 0 | 1978.4.15 |
| | | △x1 | △x1 | 07146 | 0 | 0 | 1978.5.30 |
| | | △x4 | △x4 | 23842 | 0 | 0 | 1977.7.14 |

| UNIT | L5 | L6 | L7 |
|-------------|-----|-----|----|
| X58-3460-10 | 22n | 18n | 14 |
| X58-3460-11 | 22n | 18n | 14 |
| X58-3460-12 | 22n | 18n | 12 |
| X58-3460-13 | 22n | 18n | 14 |
| X58-3460-14 | 33n | 39n | 14 |
| X58-3460-15 | 33n | 39n | 14 |
| X58-3460-01 | 33n | 39n | 14 |



D1 2SK509NV (K52) LAST No.
 D2 1SV166
 C: 23
 R: 21

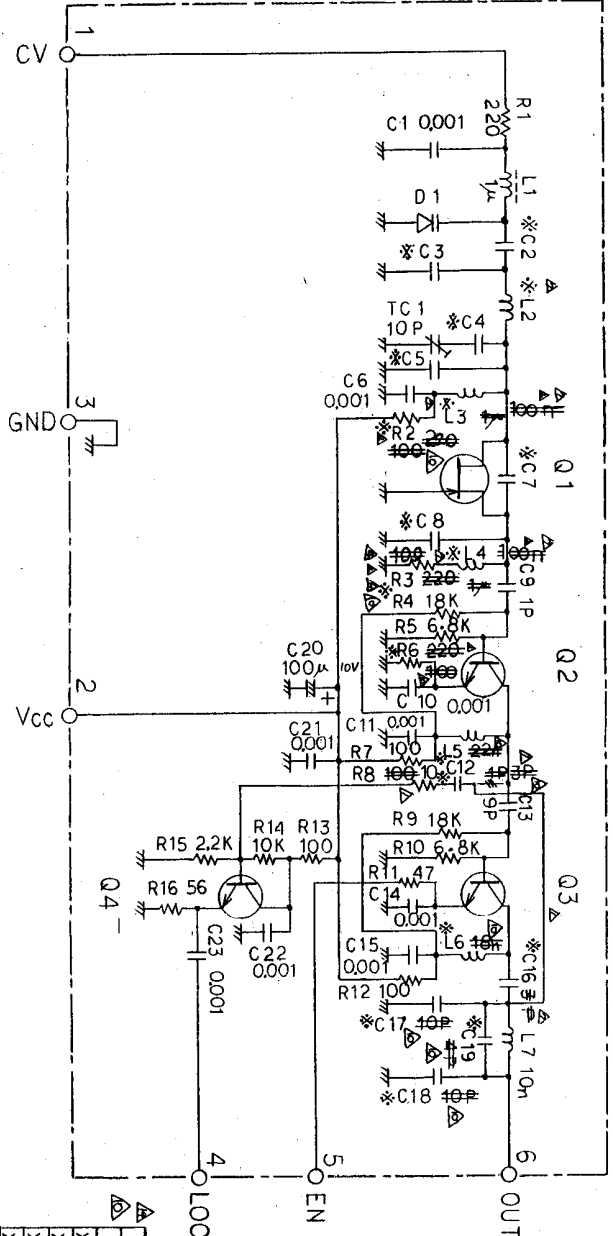
| NO. | PARTS NAME | PARTS NUMBER | QNT | NOTES | MATERIAL | FINISH |
|--------------|------------|--------------|----------|----------|----------|-----------------|
| DESIGNED | DESIGNED | DESIGNED | DESIGNED | DESIGNED | DESIGNED | DESIGNED |
| SCALE | UNIT: mm | 株式会社ケンウッド | | | | |
| PARTS NUMBER | | | | | | 782-4645-03 |
| PARTS NAME | | | | | | ユニット配線 (TX VCO) |

X58-3460

| | |
|-------|---------------|
| Q 1 | 2SK508NV(K52) |
| Q 2,3 | 2SC 3356 |
| Q 4 | 2SC 3099 |
| D 1 | 15V 166 |

LAST NO.

C 23
R 16



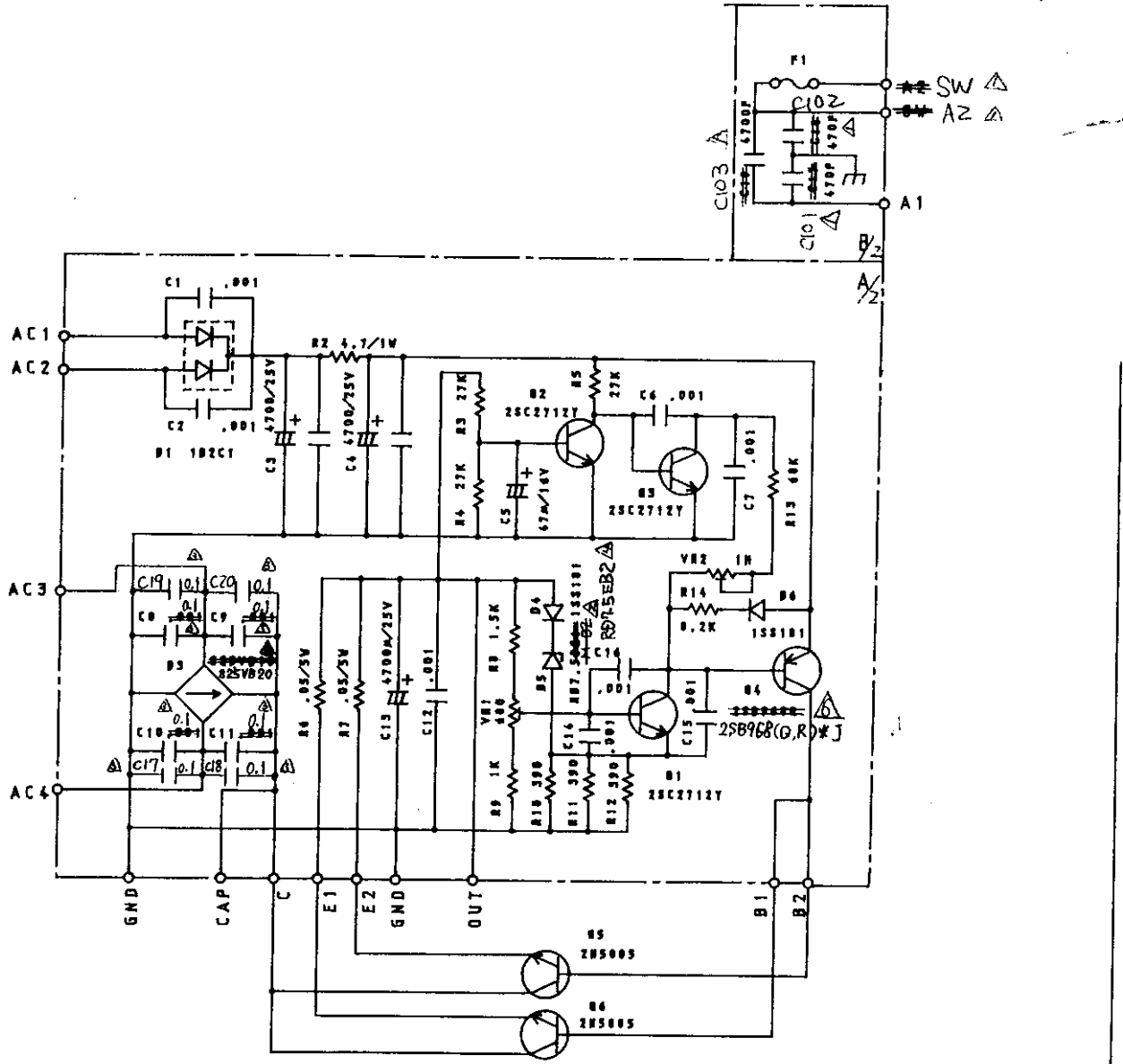
| | | | | | | |
|---|--------------|---|--------------|---|------|-------------|
| ± | X58-3150-10 | ± | X58-5662-5-C | ± | 19.8 | 19.87-6.14 |
| ± | X58-3150-11 | ± | X58-5614 | ± | 19.8 | 19.87-6.14 |
| ± | X58-3150-12 | ± | X58-R131 | ± | 19.8 | 19.87-12.9 |
| ± | X58-3150-15 | ± | X58-R535 | ± | 19.8 | 19.87-1.25 |
| ± | X58-3150-14A | ± | X58-R657 | ± | 19.8 | 19.87-1.12 |
| ± | X58-3150-14 | ± | X58-R139 | ± | 19.8 | 19.87-3.7 |
| ± | X58-3150-18A | ± | 改裝追加! | ± | 19.8 | 19.89-12.14 |
| ± | X58-3150-01A | ± | X58-G046 | ± | 19.8 | 19.92-2.3 |
| ± | X58-3150-16A | ± | X58-K614 | ± | 19.8 | 19.92-6.29 |
| ± | X58-3150-19A | ± | 改裝追加 | ± | 19.8 | 19.94-5.16 |
| ± | | ± | 0700.2 | ± | 19.8 | 19.94-5.16 |
| ± | | ± | 改裝追加! | ± | 19.8 | 19.98-1.16 |
| ± | | ± | 2.8470 | ± | 19.8 | 19.98-6.29 |
| ± | | ± | 改裝追加 | ± | 19.8 | 19.98-6.29 |

| | | | | | | | | | | |
|-------------|----|----|----|----|----|----|-------------|------|------|-----|
| X58-3150-19 | 9 | 6 | 27 | 4 | 8 | 18 | L34-2304-05 | 100n | 100n | 3 |
| UNIT | C2 | C3 | C4 | C5 | C7 | C8 | L2 | L3 | L4 | C16 |
| X58-3150-10 | 10 | 5 | 27 | 4 | 10 | 10 | L34-2304-05 | 100n | 100n | 3 |
| X58-3150-11 | 10 | 5 | 27 | 4 | 10 | 10 | L34-2304-05 | 100n | 100n | 3 |
| X58-3150-12 | 10 | 5 | 27 | 4 | 10 | 10 | L34-2304-05 | 100n | 100n | 3 |
| X58-3150-13 | 10 | 5 | 27 | 4 | 10 | 10 | L34-2304-05 | 100n | 100n | 3 |
| X58-3150-14 | 10 | 5 | 27 | 4 | 10 | 10 | L34-2304-05 | 180n | 180n | 5 |
| X58-3150-15 | 11 | 6 | 27 | 4 | 10 | 10 | L34-2304-05 | 100n | 100n | 3 |
| X58-3150-16 | 10 | 5 | 27 | 4 | 10 | 10 | L34-2304-05 | 100n | 100n | 3 |
| X58-3150-17 | 10 | 5 | 33 | 1 | 8 | 8 | L34-2375-05 | 180n | 180n | 10 |
| X58-3150-18 | 10 | 5 | 33 | 1 | 7 | 7 | L34-2375-05 | 180n | 180n | 8 |
| X58-3150-01 | 5 | 3 | 10 | 6 | 7 | 7 | L34-2375-05 | 180n | 180n | 8 |

| | | | | | | |
|-----|----------------|-------------------|---------|----------|-------------|-----------|
| No. | 部品名 PARTS NAME | 部品番号 PARTS NUMBER | 図ONT | 備考 NOTES | 材質 MATERIAL | 処理 FINISH |
| 1 | 技術部 | 17.2.78 | 17.2.78 | 17.1.15 | 17.1.15 | 17.1.15 |
| 2 | 技術部 | 17.2.78 | 17.2.78 | 17.1.15 | 17.1.15 | 17.1.15 |
| 3 | 技術部 | 17.2.78 | 17.2.78 | 17.1.15 | 17.1.15 | 17.1.15 |
| 4 | 技術部 | 17.2.78 | 17.2.78 | 17.1.15 | 17.1.15 | 17.1.15 |
| 5 | 技術部 | 17.2.78 | 17.2.78 | 17.1.15 | 17.1.15 | 17.1.15 |
| 6 | 技術部 | 17.2.78 | 17.2.78 | 17.1.15 | 17.1.15 | 17.1.15 |
| 7 | 技術部 | 17.2.78 | 17.2.78 | 17.1.15 | 17.1.15 | 17.1.15 |
| 8 | 技術部 | 17.2.78 | 17.2.78 | 17.1.15 | 17.1.15 | 17.1.15 |
| 9 | 技術部 | 17.2.78 | 17.2.78 | 17.1.15 | 17.1.15 | 17.1.15 |
| 10 | 技術部 | 17.2.78 | 17.2.78 | 17.1.15 | 17.1.15 | 17.1.15 |
| 11 | 技術部 | 17.2.78 | 17.2.78 | 17.1.15 | 17.1.15 | 17.1.15 |
| 12 | 技術部 | 17.2.78 | 17.2.78 | 17.1.15 | 17.1.15 | 17.1.15 |
| 13 | 技術部 | 17.2.78 | 17.2.78 | 17.1.15 | 17.1.15 | 17.1.15 |
| 14 | 技術部 | 17.2.78 | 17.2.78 | 17.1.15 | 17.1.15 | 17.1.15 |
| 15 | 技術部 | 17.2.78 | 17.2.78 | 17.1.15 | 17.1.15 | 17.1.15 |
| 16 | 技術部 | 17.2.78 | 17.2.78 | 17.1.15 | 17.1.15 | 17.1.15 |
| 17 | 技術部 | 17.2.78 | 17.2.78 | 17.1.15 | 17.1.15 | 17.1.15 |
| 18 | 技術部 | 17.2.78 | 17.2.78 | 17.1.15 | 17.1.15 | 17.1.15 |
| 19 | 技術部 | 17.2.78 | 17.2.78 | 17.1.15 | 17.1.15 | 17.1.15 |
| 20 | 技術部 | 17.2.78 | 17.2.78 | 17.1.15 | 17.1.15 | 17.1.15 |
| 21 | 技術部 | 17.2.78 | 17.2.78 | 17.1.15 | 17.1.15 | 17.1.15 |
| 22 | 技術部 | 17.2.78 | 17.2.78 | 17.1.15 | 17.1.15 | 17.1.15 |
| 23 | 技術部 | 17.2.78 | 17.2.78 | 17.1.15 | 17.1.15 | 17.1.15 |
| 24 | 技術部 | 17.2.78 | 17.2.78 | 17.1.15 | 17.1.15 | 17.1.15 |
| 25 | 技術部 | 17.2.78 | 17.2.78 | 17.1.15 | 17.1.15 | 17.1.15 |
| 26 | 技術部 | 17.2.78 | 17.2.78 | 17.1.15 | 17.1.15 | 17.1.15 |
| 27 | 技術部 | 17.2.78 | 17.2.78 | 17.1.15 | 17.1.15 | 17.1.15 |
| 28 | 技術部 | 17.2.78 | 17.2.78 | 17.1.15 | 17.1.15 | 17.1.15 |
| 29 | 技術部 | 17.2.78 | 17.2.78 | 17.1.15 | 17.1.15 | 17.1.15 |
| 30 | 技術部 | 17.2.78 | 17.2.78 | 17.1.15 | 17.1.15 | 17.1.15 |
| 31 | 技術部 | 17.2.78 | 17.2.78 | 17.1.15 | 17.1.15 | 17.1.15 |
| 32 | 技術部 | 17.2.78 | 17.2.78 | 17.1.15 | 17.1.15 | 17.1.15 |
| 33 | 技術部 | 17.2.78 | 17.2.78 | 17.1.15 | 17.1.15 | 17.1.15 |
| 34 | 技術部 | 17.2.78 | 17.2.78 | 17.1.15 | 17.1.15 | 17.1.15 |
| 35 | 技術部 | 17.2.78 | 17.2.78 | 17.1.15 | 17.1.15 | 17.1.15 |
| 36 | 技術部 | 17.2.78 | 17.2.78 | 17.1.15 | 17.1.15 | 17.1.15 |
| 37 | 技術部 | 17.2.78 | 17.2.78 | 17.1.15 | 17.1.15 | 17.1.15 |
| 38 | 技術部 | 17.2.78 | 17.2.78 | 17.1.15 | 17.1.15 | 17.1.15 |
| 39 | 技術部 | 17.2.78 | 17.2.78 | 17.1.15 | 17.1.15 | 17.1.15 |
| 40 | 技術部 | 17.2.78 | 17.2.78 | 17.1.15 | 17.1.15 | 17.1.15 |
| 41 | 技術部 | 17.2.78 | 17.2.78 | 17.1.15 | 17.1.15 | 17.1.15 |
| 42 | 技術部 | 17.2.78 | 17.2.78 | 17.1.15 | 17.1.15 | 17.1.15 |
| 43 | 技術部 | 17.2.78 | 17.2.78 | 17.1.15 | 17.1.15 | 17.1.15 |
| 44 | 技術部 | 17.2.78 | 17.2.78 | 17.1.15 | 17.1.15 | 17.1.15 |
| 45 | 技術部 | 17.2.78 | 17.2.78 | 17.1.15 | 17.1.15 | 17.1.15 |
| 46 | 技術部 | 17.2.78 | 17.2.78 | 17.1.15 | 17.1.15 | 17.1.15 |
| 47 | 技術部 | 17.2.78 | 17.2.78 | 17.1.15 | 17.1.15 | 17.1.15 |
| 48 | 技術部 | 17.2.78 | 17.2.78 | 17.1.15 | 17.1.15 | 17.1.15 |
| 49 | 技術部 | 17.2.78 | 17.2.78 | 17.1.15 | 17.1.15 | 17.1.15 |
| 50 | 技術部 | 17.2.78 | 17.2.78 | 17.1.15 | 17.1.15 | 17.1.15 |
| 51 | 技術部 | 17.2.78 | 17.2.78 | 17.1.15 | 17.1.15 | 17.1.15 |
| 52 | 技術部 | 17.2.78 | 17.2.78 | 17.1.15 | 17.1.15 | 17.1.15 |
| 53 | 技術部 | 17.2.78 | 17.2.78 | 17.1.15 | 17.1.15 | 17.1.15 |
| 54 | 技術部 | 17.2.78 | 17.2.78 | 17.1.15 | 17.1.15 | 17.1.15 |
| 55 | 技術部 | 17.2.78 | 17.2.78 | 17.1.15 | 17.1.15 | 17.1.15 |
| 56 | 技術部 | 17.2.78 | 17.2.78 | 17.1.15 | 17.1.15 | 17.1.15 |
| 57 | 技術部 | 17.2.78 | 17.2.78 | 17.1.15 | 17.1.15 | 17.1.15 |
| 58 | 技術部 | 17.2.78 | 17.2.78 | 17.1.15 | 17.1.15 | 17.1.15 |
| 59 | 技術部 | 17.2.78 | 17.2.78 | 17.1.15 | 17.1.15 | 17.1.15 |
| 60 | 技術部 | 17.2.78 | 17.2.78 | 17.1.15 | 17.1.15 | 17.1.15 |
| 61 | 技術部 | 17.2.78 | 17.2.78 | 17.1.15 | 17.1.15 | 17.1.15 |
| 62 | 技術部 | 17.2.78 | 17.2.78 | 17.1.15 | 17.1.15 | 17.1.15 |
| 63 | 技術部 | 17.2.78 | 17.2.78 | 17.1.15 | 17.1.15 | 17.1.15 |
| 64 | 技術部 | 17.2.78 | 17.2.78 | 17.1.15 | 17.1.15 | 17.1.15 |
| 65 | 技術部 | 17.2.78 | 17.2.78 | 17.1.15 | 17.1.15 | 17.1.15 |
| 66 | 技術部 | 17.2.78 | 17.2.78 | 17.1.15 | 17.1.15 | 17.1.15 |
| 67 | 技術部 | 17.2.78 | 17.2.78 | 17.1.15 | 17.1.15 | 17.1.15 |
| 68 | 技術部 | 17.2.78 | 17.2.78 | 17.1.15 | 17.1.15 | 17.1.15 |
| 69 | 技術部 | 17.2.78 | 17.2.78 | 17.1.15 | 17.1.15 | 17.1.15 |
| 70 | 技術部 | 17.2.78 | 17.2.78 | 17.1.15 | 17.1.15 | 17.1.15 |
| 71 | 技術部 | 17.2.78 | 17.2.78 | 17.1.15 | 17.1.15 | 17.1.15 |
| 72 | 技術部 | 17.2.78 | 17.2.78 | 17.1.15 | 17.1.15 | 17.1.15 |
| 73 | 技術部 | 17.2.78 | 17.2.78 | 17.1.15 | 17.1.15 | 17.1.15 |
| 74 | 技術部 | 17.2.78 | 17.2.78 | 17.1.15 | 17.1.15 | 17.1.15 |
| 75 | 技術部 | 17.2.78 | 17.2.78 | 17.1.15 | 17.1.15 | 17.1.15 |
| 76 | 技術部 | 17.2.78 | 17.2.78 | 17.1.15 | 17.1.15 | 17.1.15 |
| 77 | 技術部 | 17.2.78 | 17.2.78 | 17.1.15 | 17.1.15 | 17.1.15 |
| 78 | 技術部 | 17.2.78 | 17.2.78 | 17.1.15 | 17.1.15 | 17.1.15 |
| 79 | 技術部 | 17.2.78 | 17.2.78 | 17.1.15 | 17.1.15 | 17.1.15 |
| 80 | 技術部 | 17.2.78 | 17.2.78 | 17.1.15 | 17.1.15 | 17.1.15 |
| 81 | 技術部 | 17.2.78 | 17.2.78 | 17.1.15 | 17.1.15 | 17.1.15 |
| 82 | 技術部 | 17.2.78 | 17.2.78 | 17.1.15 | 17.1.15 | 17.1.15 |
| 83 | 技術部 | 17.2.78 | 17.2.78 | 17.1.15 | 17.1.15 | 17.1.15 |
| 84 | 技術部 | 17.2.78 | 17.2.78 | 17.1.15 | 17.1.15 | 17.1.15 |
| 85 | 技術部 | 17.2.78 | 17.2.78 | 17.1.15 | 17.1.15 | 17.1.15 |
| 86 | 技術部 | 17.2.78 | 17.2.78 | 17.1.15 | 17.1.15 | 17.1.15 |
| 87 | 技術部 | 17.2.78 | 17.2.78 | 17.1.15 | 17.1.15 | 17.1.15 |
| 88 | 技術部 | 17.2.78 | 17.2.78 | 17.1.15 | 17.1.15 | 17.1.15 |
| 89 | 技術部 | 17.2.78 | 17.2.78 | 17.1.15 | 17.1.15 | 17.1.15 |
| 90 | 技術部 | 17.2.78 | 17.2.78 | 17.1.15 | 17.1.15 | 17.1.15 |
| 91 | 技術部 | 17.2.78 | 17.2.78 | 17.1.15 | 17.1.15 | 17.1.15 |
| 92 | 技術部 | 17.2.78 | 17.2.78 | 17.1.15 | 17.1.15 | 17.1.15 |
| 93 | 技術部 | 17.2.78 | 17.2.78 | 17.1.15 | 17.1.15 | 17.1.15 |
| 94 | 技術部 | 17.2.78 | 17.2.78 | 17.1.15 | 17.1.15 | 17.1.15 |
| 95 | 技術部 | 17.2.78 | 17.2.78 | 17.1.15 | 17.1.15 | 17.1.15 |
| 96 | 技術部 | 17.2.78 | 17.2.78 | 17.1.15 | 17.1.15 | 17.1.15 |
| 97 | 技術部 | 17.2.78 | 17.2.78 | 17.1.15 | 17.1.15 | 17.1.15 |
| 98 | 技術部 | 17.2.78 | 17.2.78 | 17.1.15 | 17.1.15 | 17.1.15 |
| 99 | 技術部 | 17.2.78 | 17.2.78 | 17.1.15 | 17.1.15 | 17.1.15 |
| 100 | 技術部 | 17.2.78 | 17.2.78 | 17.1.15 | 17.1.15 | 17.1.15 |

2ニッパ配線図 (COM VCO)
882-4545-03

| TOLERANCE | USE FOR | QNT | SYMBOL | REVISION NUMBER | CO-DE | ISS-UE D | DATE |
|-----------|-------------|-------|----------|-----------------|-------|----------|------|
| ~ ± | X43-3040-10 | △ X 5 | X43-K606 | 0 | 佐藤 | 88.3.7 | |
| ~ ± | | △ X 1 | X43-K607 | 0 | 相草 | 88.4.10 | |
| ~ ± | | △ X 8 | X43-K608 | 0 | " | 88.5.9 | |
| ~ ± | | △ X 1 | X43-G601 | 0 | 佐藤 | 90.5.23 | |
| ~ ± | | △ X 1 | 11836 | 0 | 野野 | 95.4.26 | |
| ~ ± | | △ X 1 | 24859 | 0 | 宮澤 | 97.9.12 | |



| No | PARTS NAME | PARTS NUMBER | QNT | NOTES | MATERIAL | FINISH |
|----------|------------|--------------|----------|--------------------------|----------|--------|
| DESIGNED | DRAWN | CHECKED | APPROVED | PARTS NAME TKR-820 (AVR) | | |
| 68.1.26 | 68.1.26 | 68.1.26 | 68.1.26 | ユニット配線図 | | |
| 佐藤 | 佐藤 | 野口 | 野口 | PARTS NUMBER | | |
| SCALE | UNIT:MM | 株式会社ケンウッド | | Z82-4618-04 | | |